



US00D326066S

United States Patent [19]

[11] Patent Number: **Des. 326,066**

Sprague

[45] Date of Patent: **** May 12, 1992**

[54] **ILLUMINATING EARRING**

4,271,457 6/1981 Martin 63/13
4,309,743 1/1982 Martin 63/13

[76] Inventor: **Christopher Sprague**, P.O. Box 159,
Machias, Me. 04654

Primary Examiner—A. Hugo Word
Assistant Examiner—R. Seifert
Attorney, Agent, or Firm—Terry M. Gernstein

[**] Term: **14 Years**

[21] Appl. No.: **476,286**

[57] **CLAIM**

[22] Filed: **Feb. 7, 1990**

The ornamental design for an illuminating earring, as shown and described.

[52] U.S. Cl. **D11/41; 63/12;**
63/13

DESCRIPTION

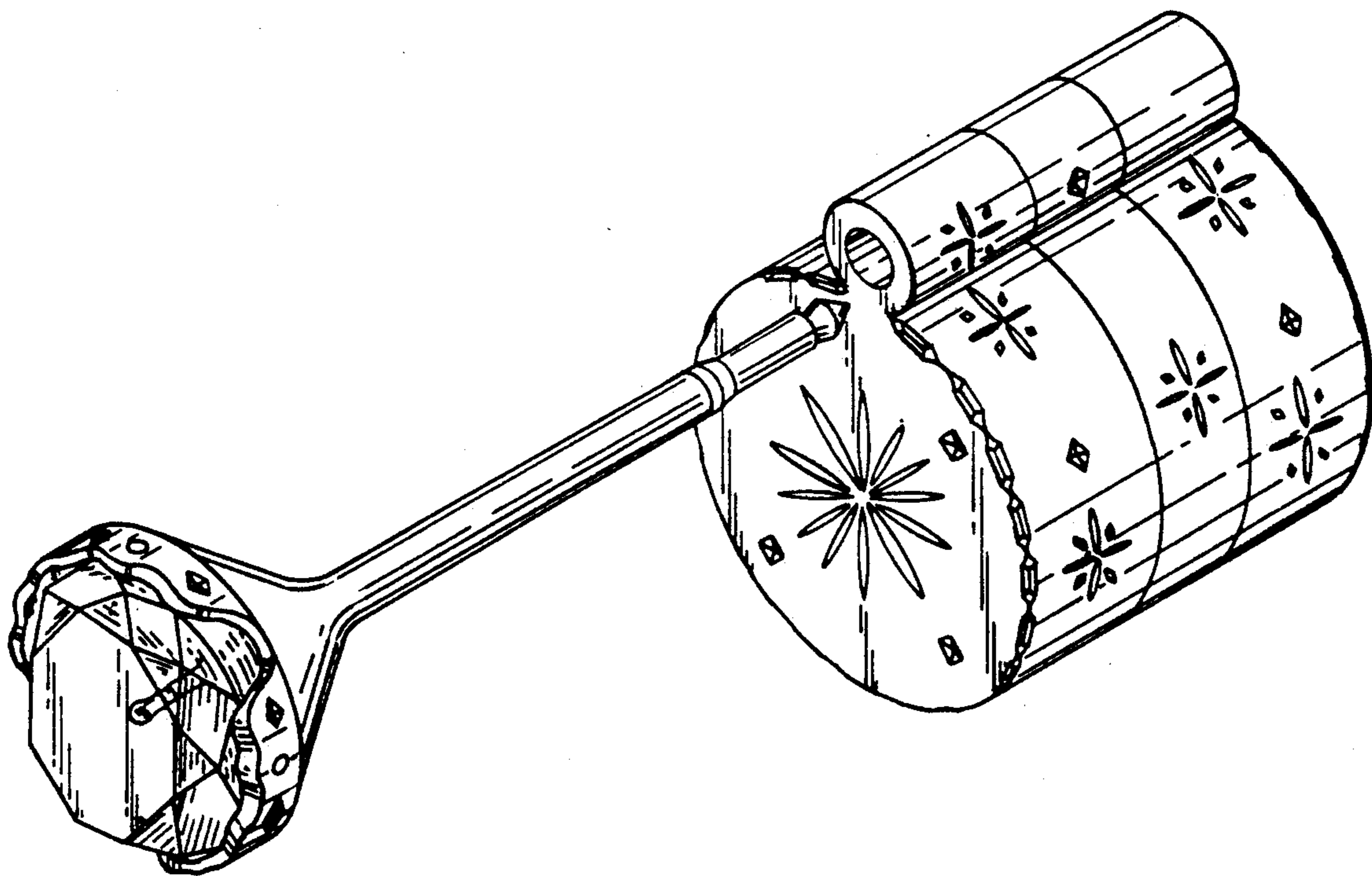
[58] Field of Search D11/1-2,
D11/40-50, 61-73, 75-86, 95-99, 103-108;
63/1.1, 2, 12-14.8, 20

FIG. 1 is a perspective view of an illuminating earring showing my new design, shown in a detached position; FIG. 2 is a right side elevational view shown a fastened position; FIG. 3 is a left side elevational view of FIG. 2; FIG. 4 is an end elevational of FIG. 2; FIG. 5 is an end elevational view of FIG. 2 showing the side opposite that shown in FIG. 4; FIG. 6 is a top plan view of FIG. 2; and, FIG. 7 is a bottom plan view of FIG. 2.

[56] **References Cited**

U.S. PATENT DOCUMENTS

2,546,945	3/1951	Gaffield	362/104
2,798,148	7/1957	Di Lizio et al.	63/13
3,624,384	11/1971	Ledingham	362/104
3,814,926	6/1974	Frasca	362/104



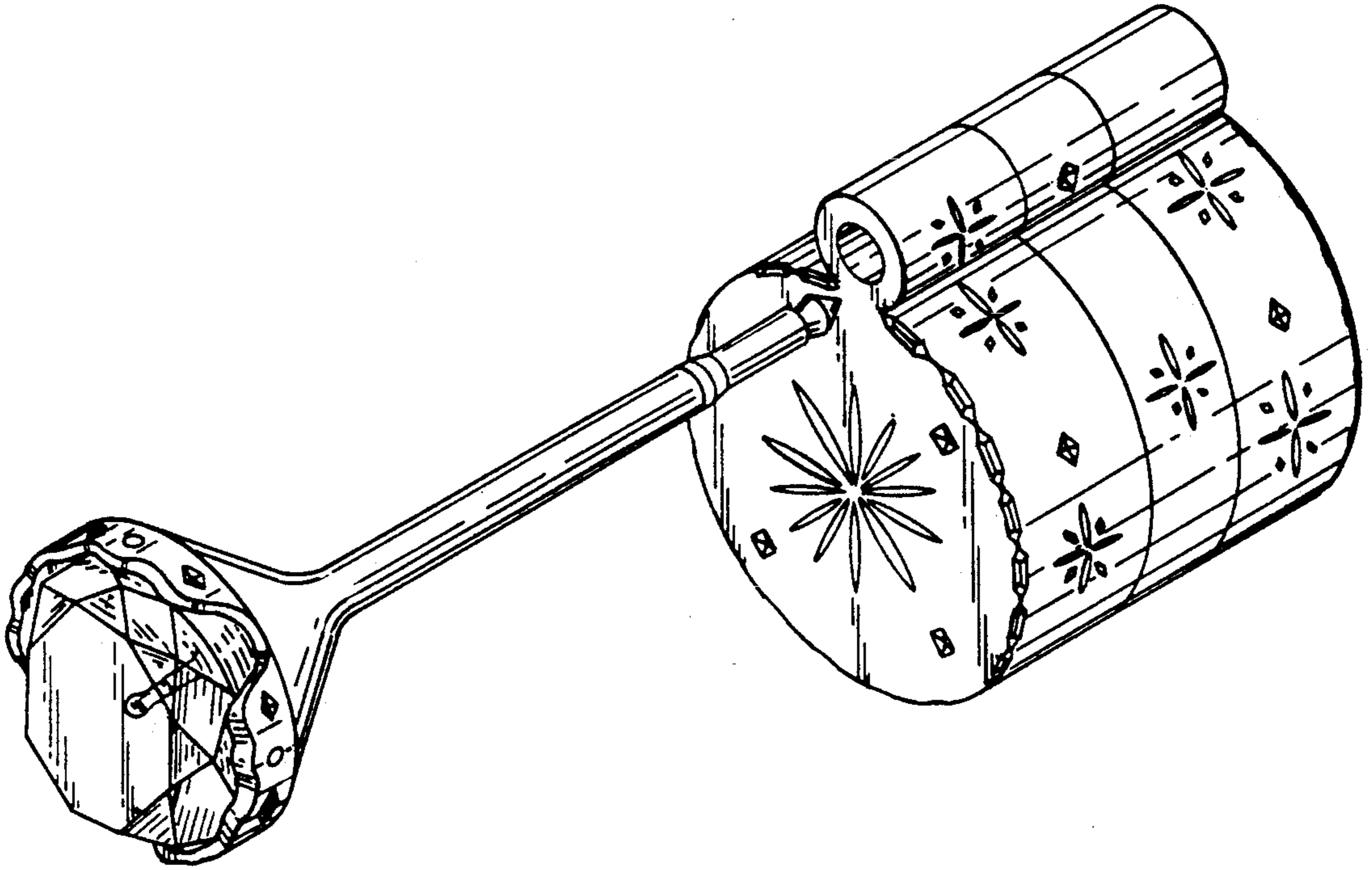


FIG. 1

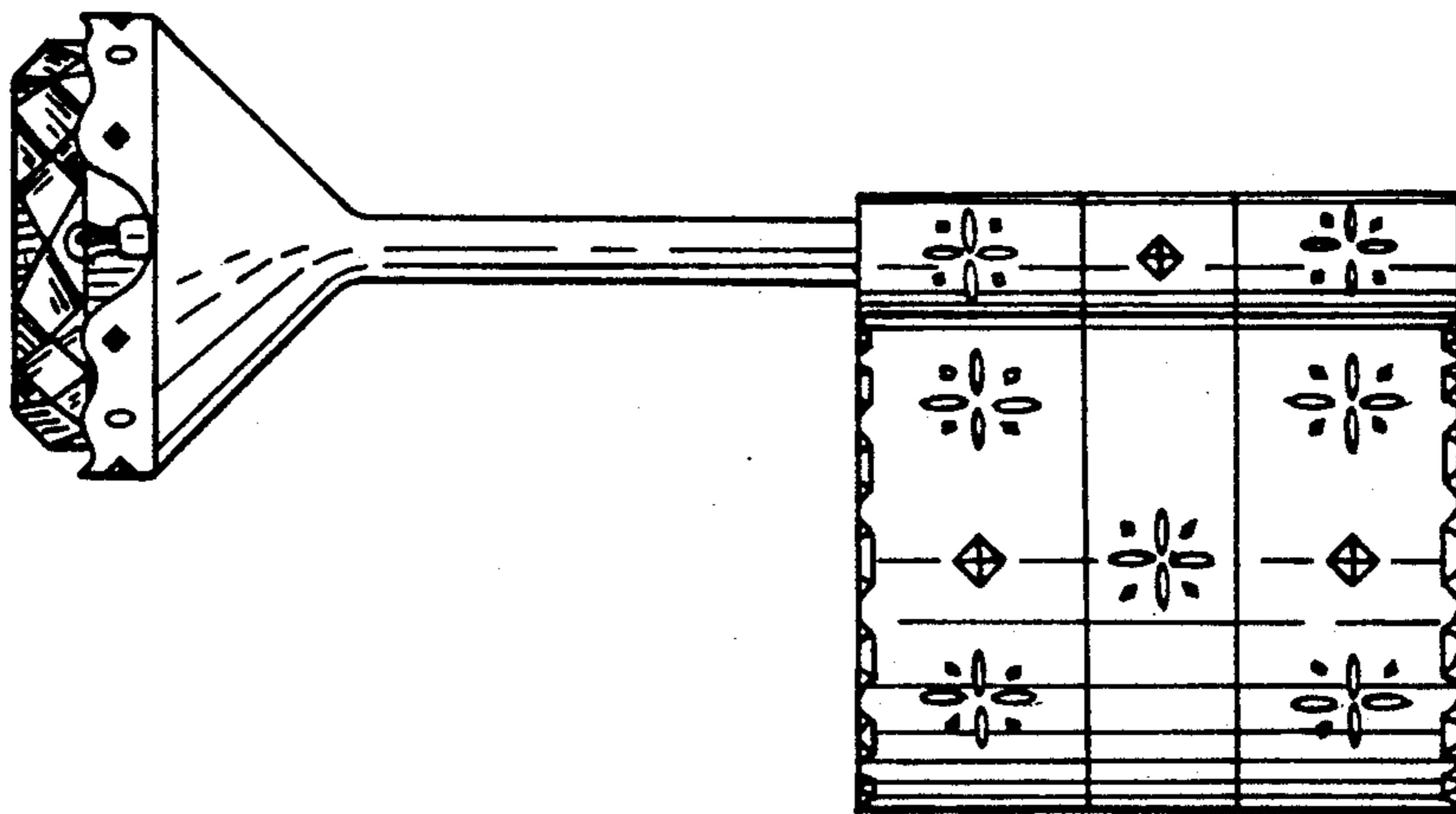


FIG. 2

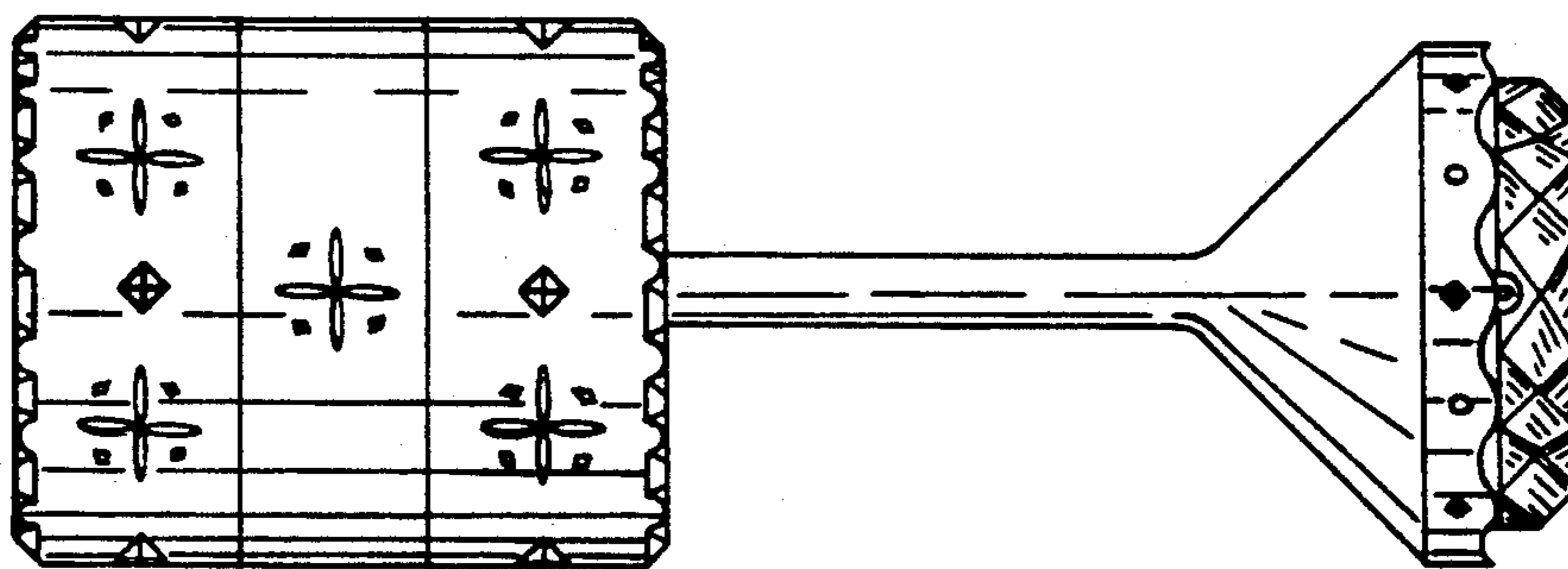


FIG. 7

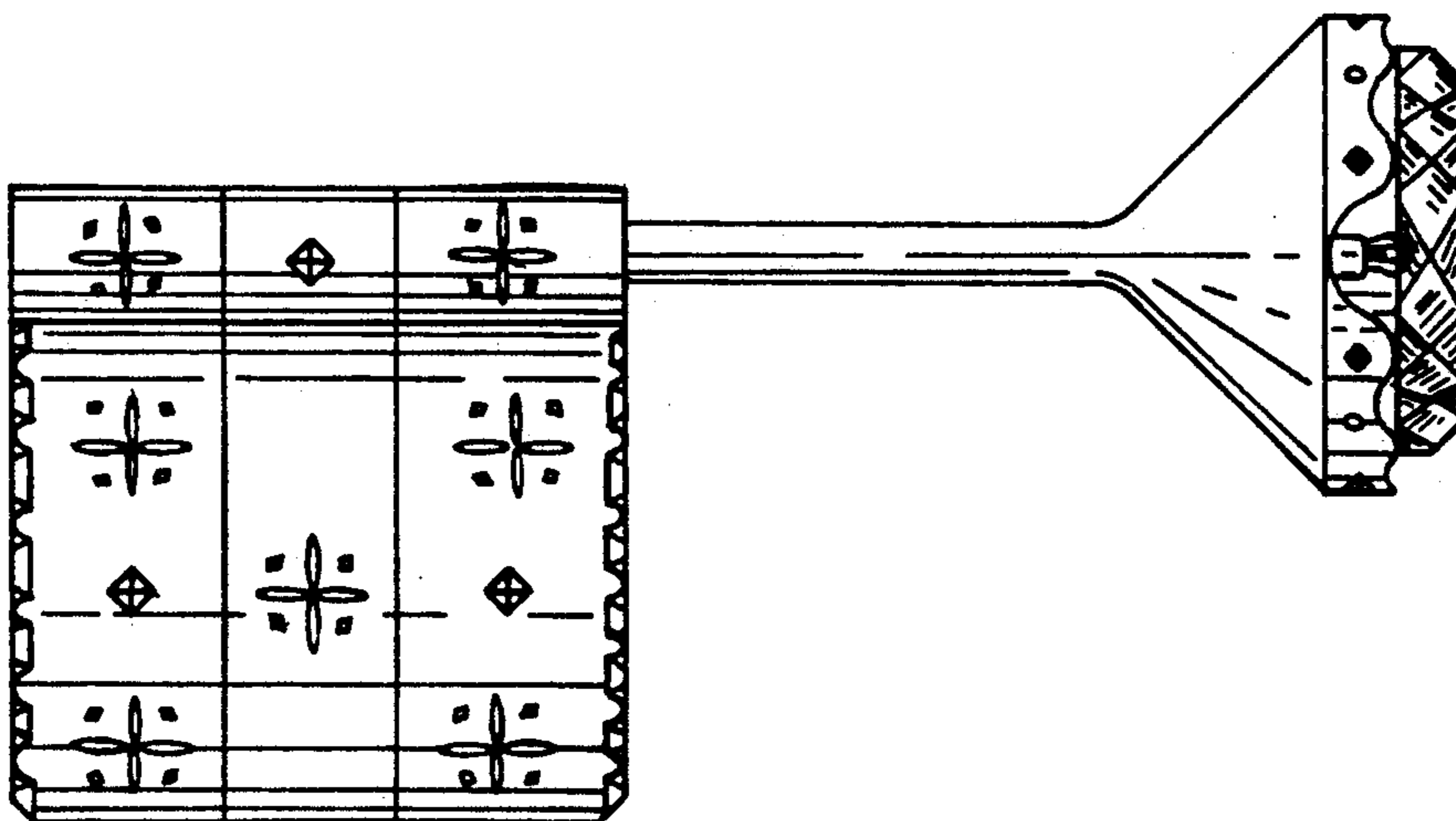


FIG. 3

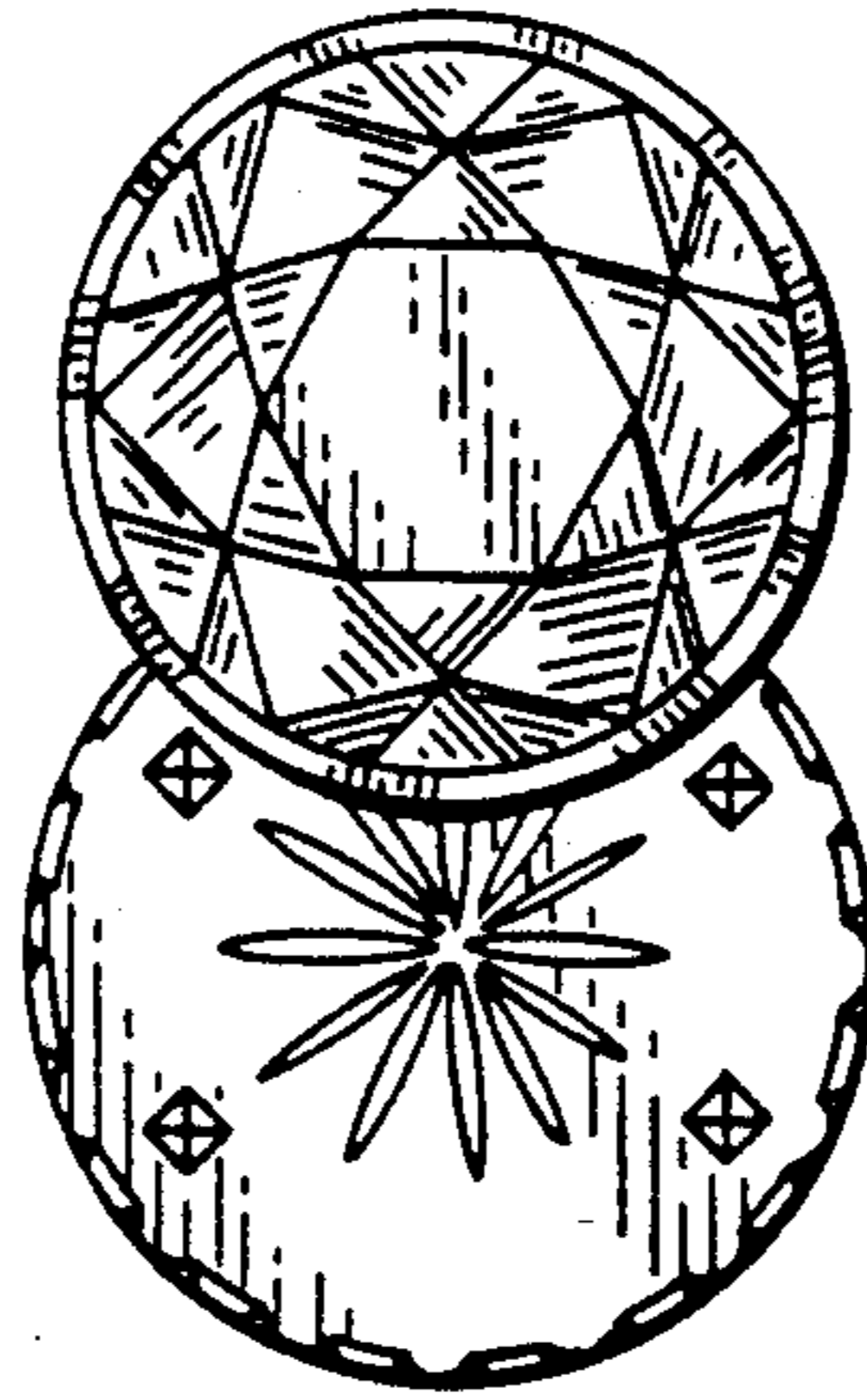


FIG. 4

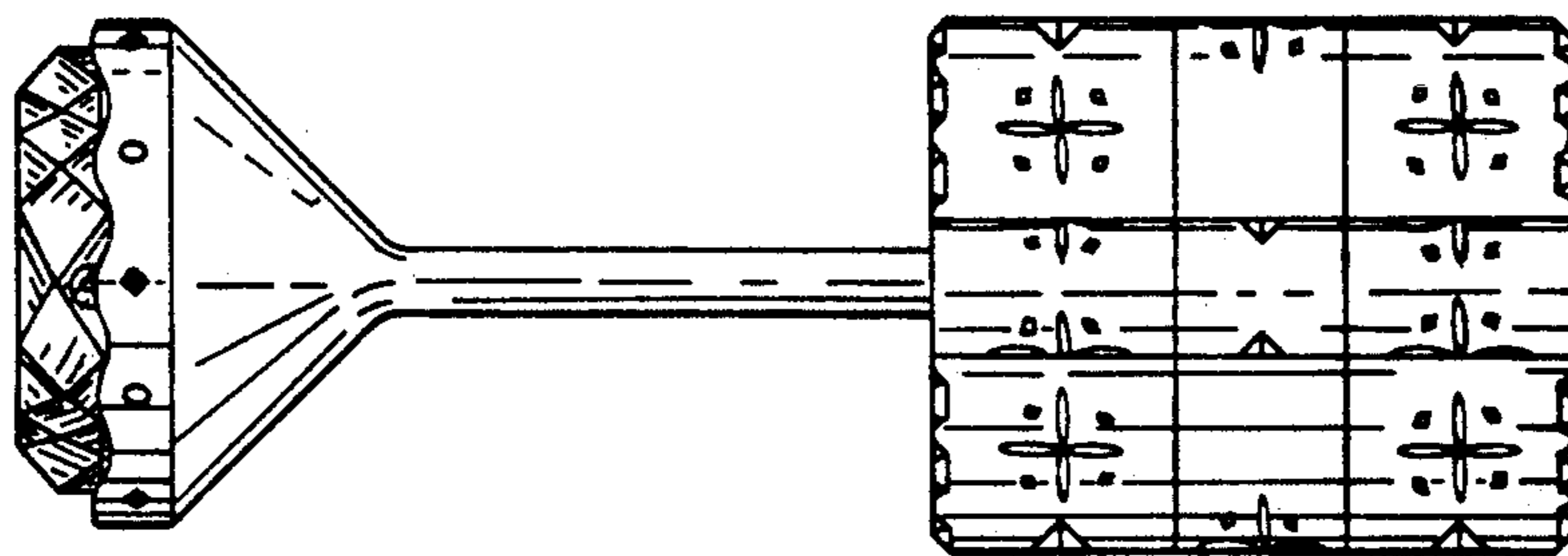


FIG. 6

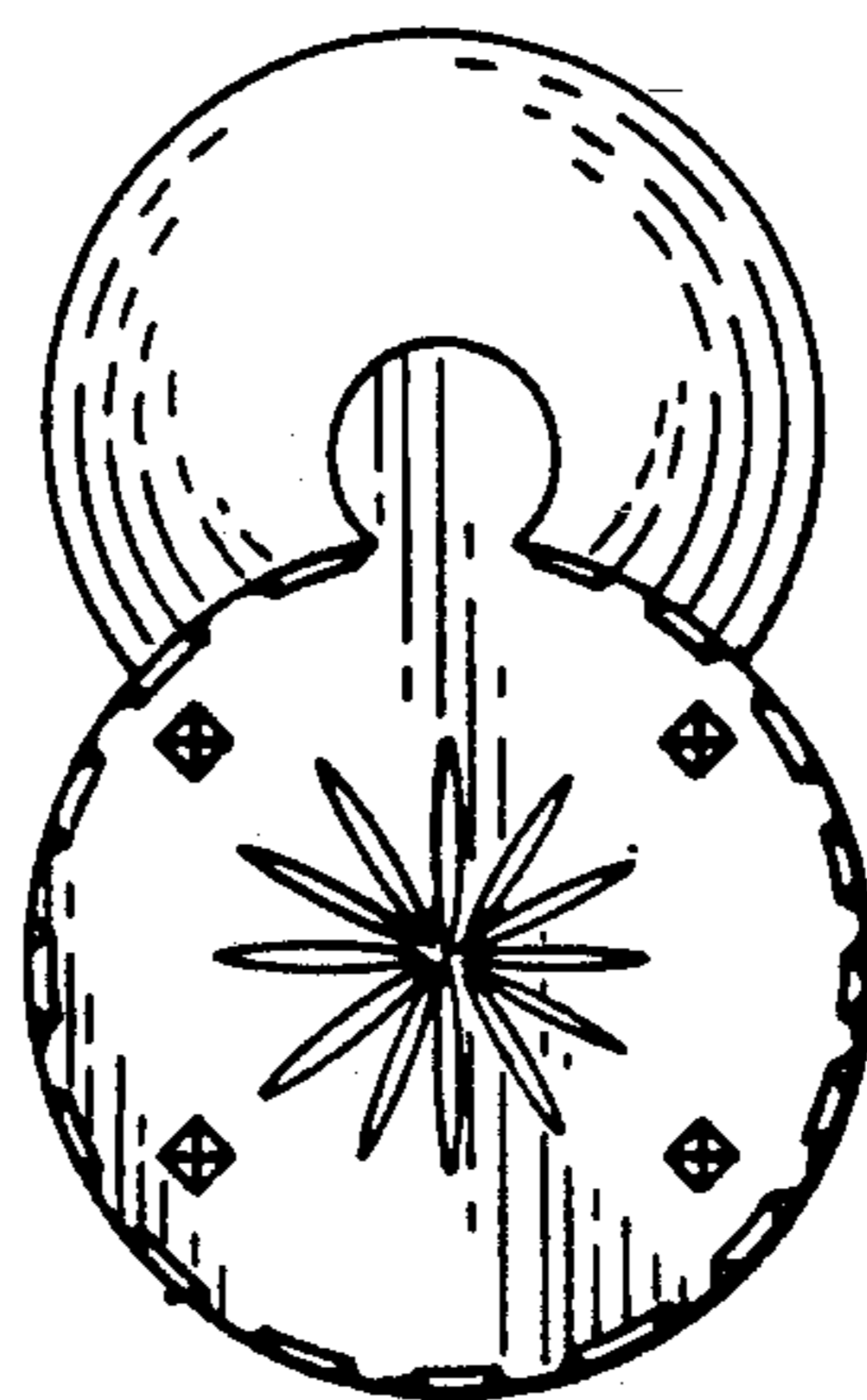


FIG. 5