



US00D326064S -

United States Patent [19]

[11] Patent Number: **Des. 326,064**

Matsuda

[45] Date of Patent: **** May 12, 1992**

[54] **CLOCK MOVEMENT**

| | | | | |
|-----------|---------|-------------|-------|-----------|
| 4,175,374 | 11/1979 | Yoshizawa | | 365/300 |
| 4,464,062 | 8/1984 | Inage | | 368/220 |
| 4,772,842 | 6/1981 | Schultheiss | | 368/276 X |

[75] Inventor: **Takumi Matsuda, Tokyo, Japan**

[73] Assignee: **Seikosha Co., Ltd., Japan**

Primary Examiner—Nelson C. Holtje
Attorney, Agent, or Firm—Bruce L. Adams; Van C. Wilks

[**] Term: **14 Years**

[21] Appl. No.: **541,410**

[57] **CLAIM**

[22] Filed: **Jun. 21, 1990**

The ornamental design for a clock movement, as shown and described.

[52] U.S. Cl. **D10/129**

[58] Field of Search **D10/122-132, D10/1-40; 368/88, 220, 300**

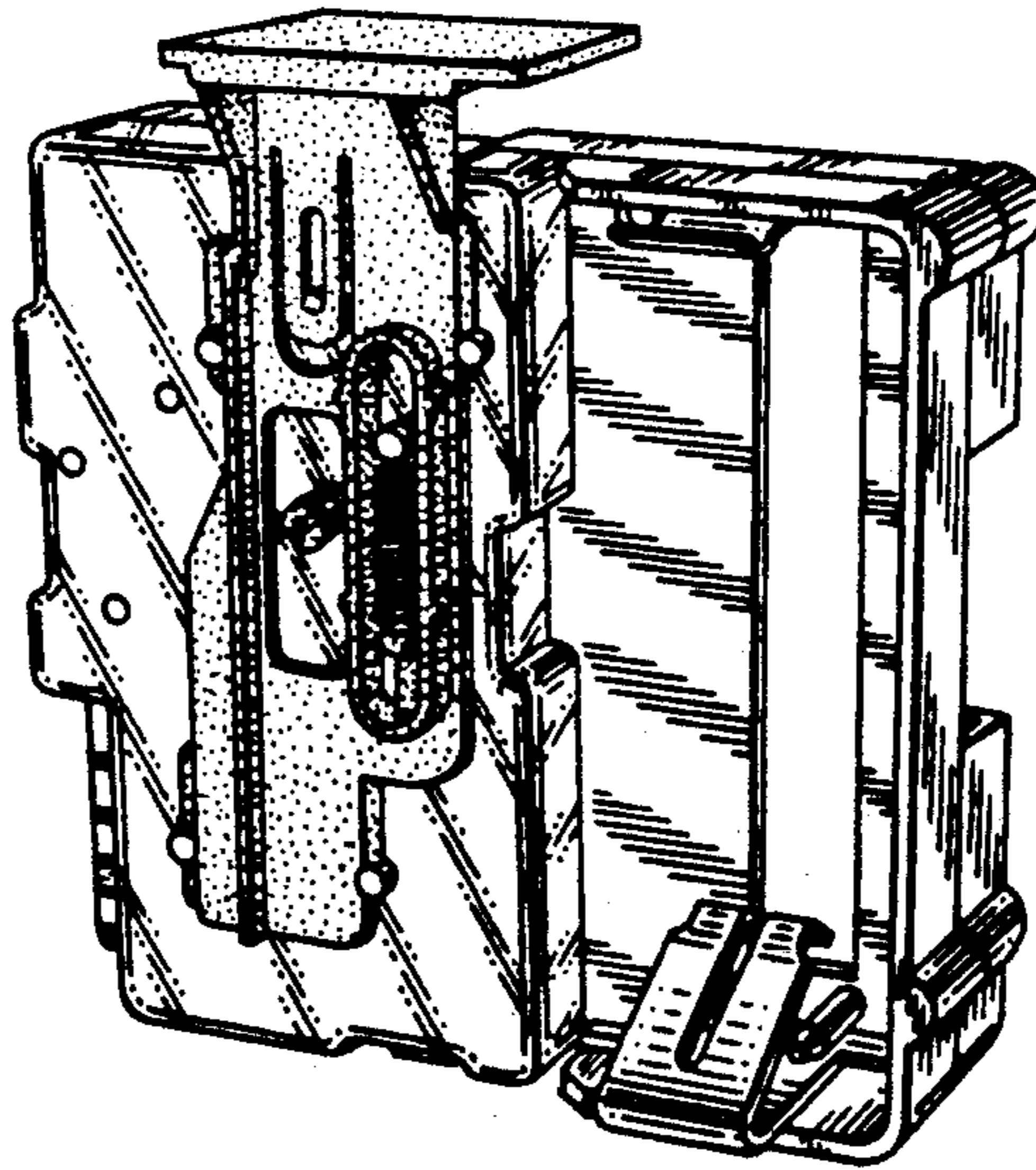
DESCRIPTION

[56] **References Cited**

U.S. PATENT DOCUMENTS

| | | | | |
|------------|---------|----------|-------|---------|
| D. 303,226 | 9/1989 | Moritaka | | D10/129 |
| D. 303,227 | 9/1989 | Hayakawa | | D10/129 |
| D. 303,228 | 9/1989 | Ikeda | | D10/129 |
| D. 311,352 | 10/1990 | Tanaka | | D10/129 |
| D. 318,027 | 7/1991 | Moritaka | | D10/129 |
| 3,047,861 | 8/1962 | Jensen | | 368/300 |

FIG. 1 is a front elevational view of a clock movement showing my new design;
 FIG. 2 is a rear elevational view thereof;
 FIG. 3 is a top plan view thereof;
 FIG. 4 is a bottom plan view thereof;
 FIG. 5 is a left side elevational view thereof;
 FIG. 6 is a right side elevational view thereof;
 FIG. 7 is a front right perspective view thereof; and,
 FIG. 8 is a rear right perspective view thereof.



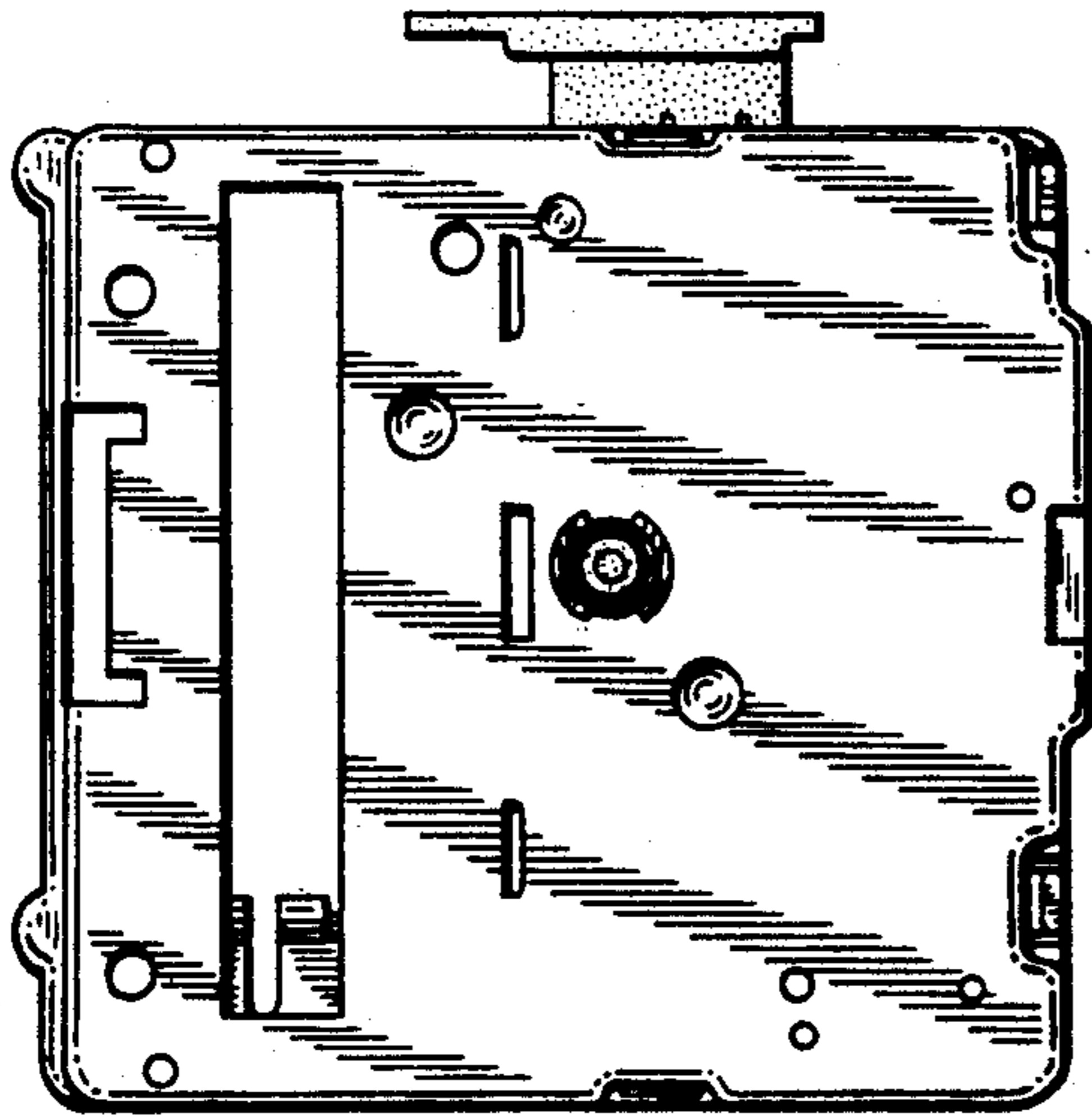


FIG. 1

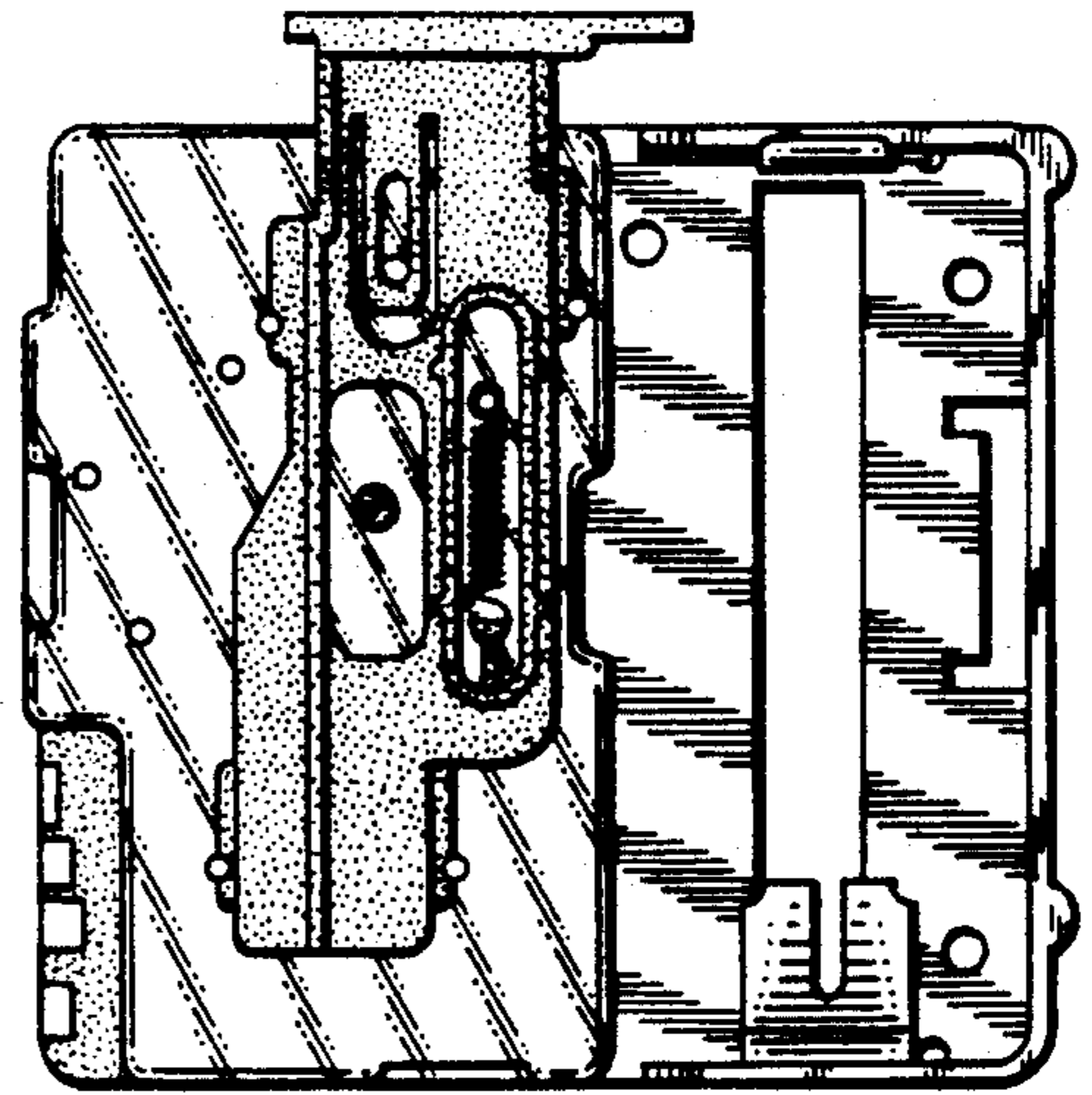


FIG. 2

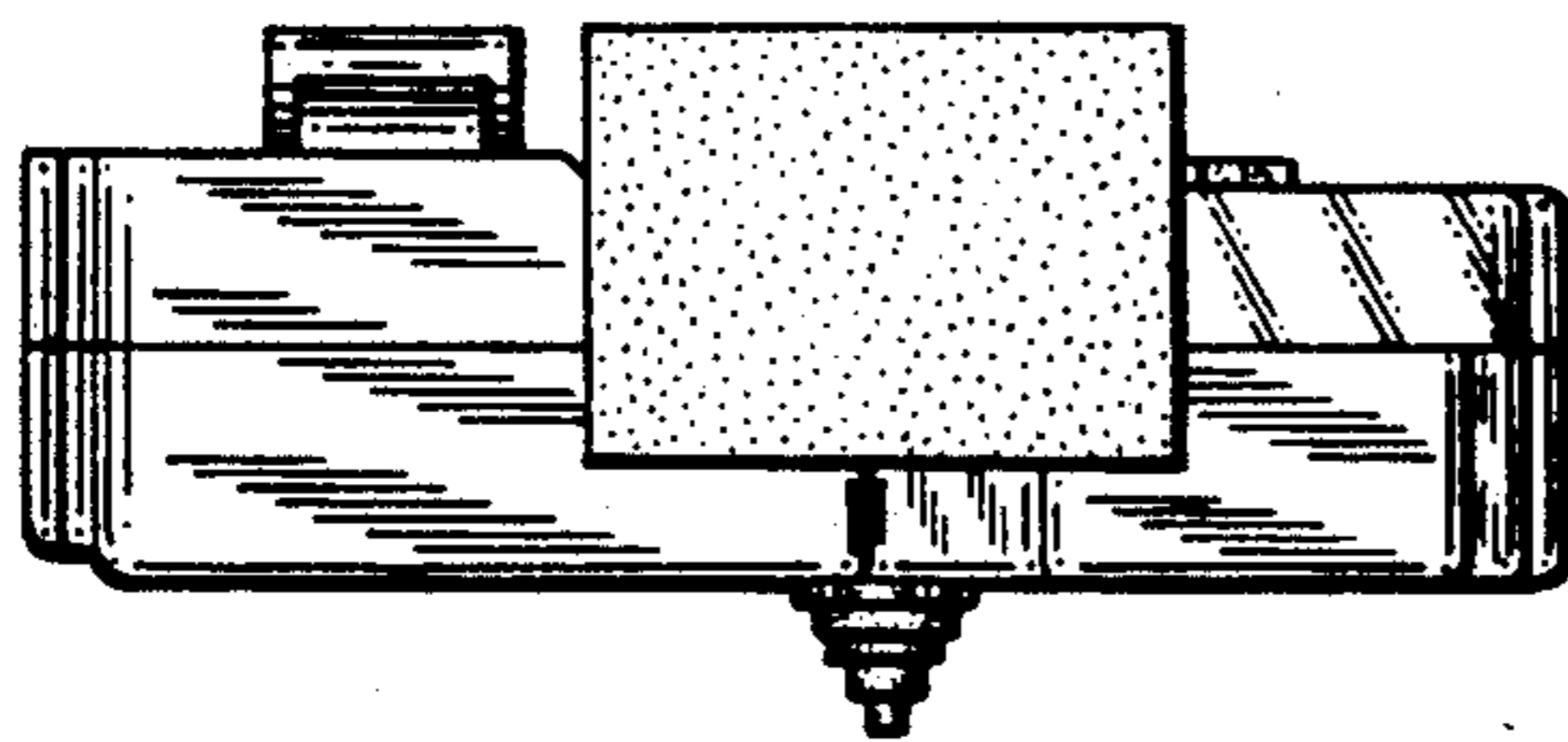


FIG. 3

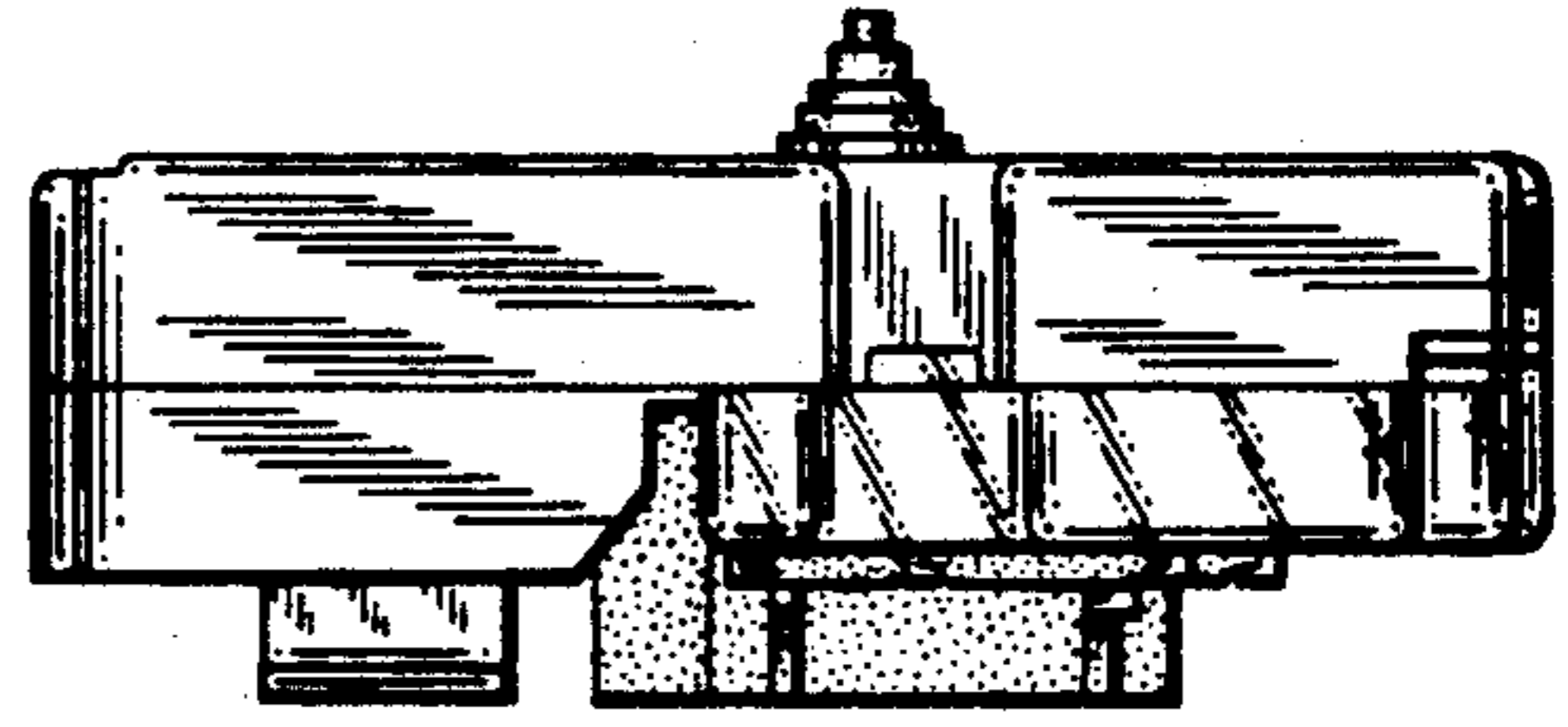


FIG. 4

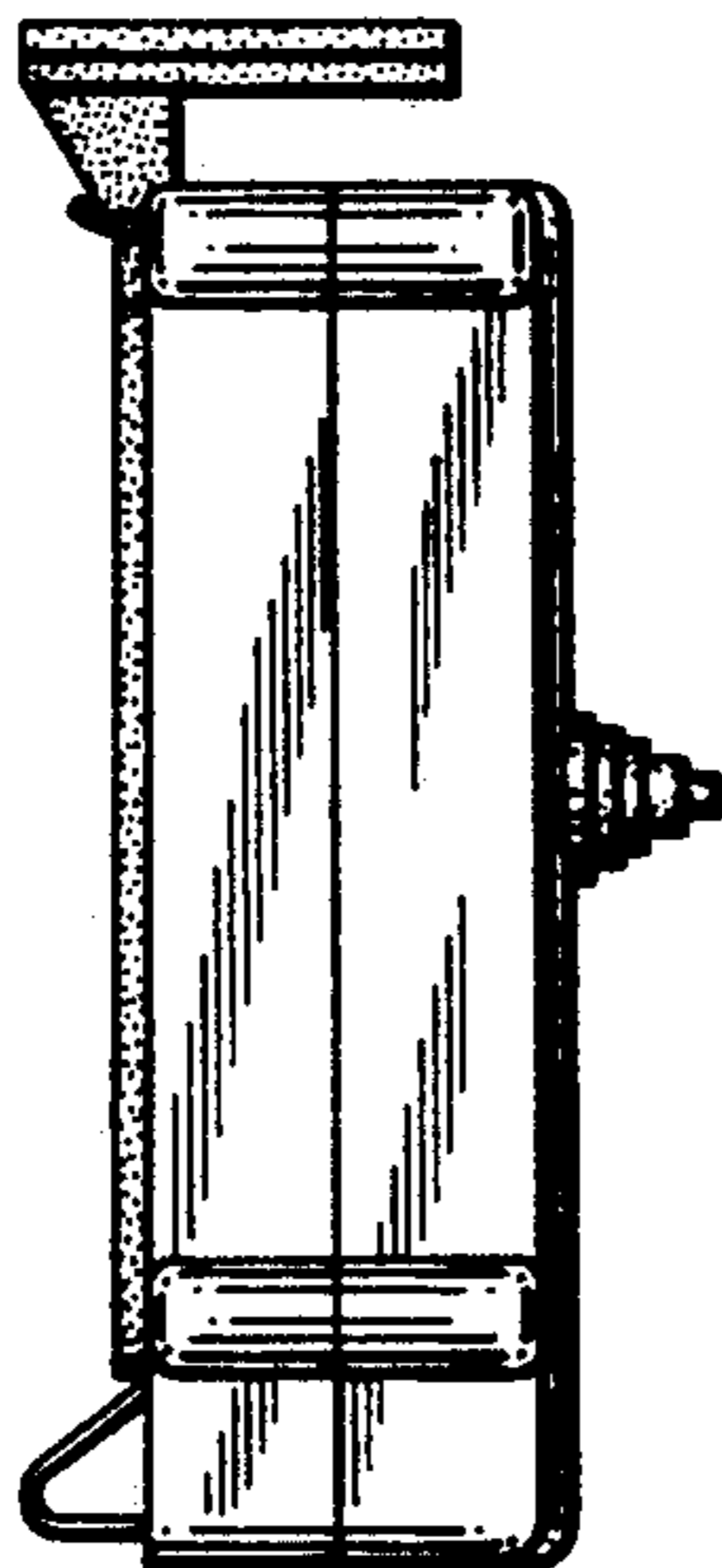


FIG. 5

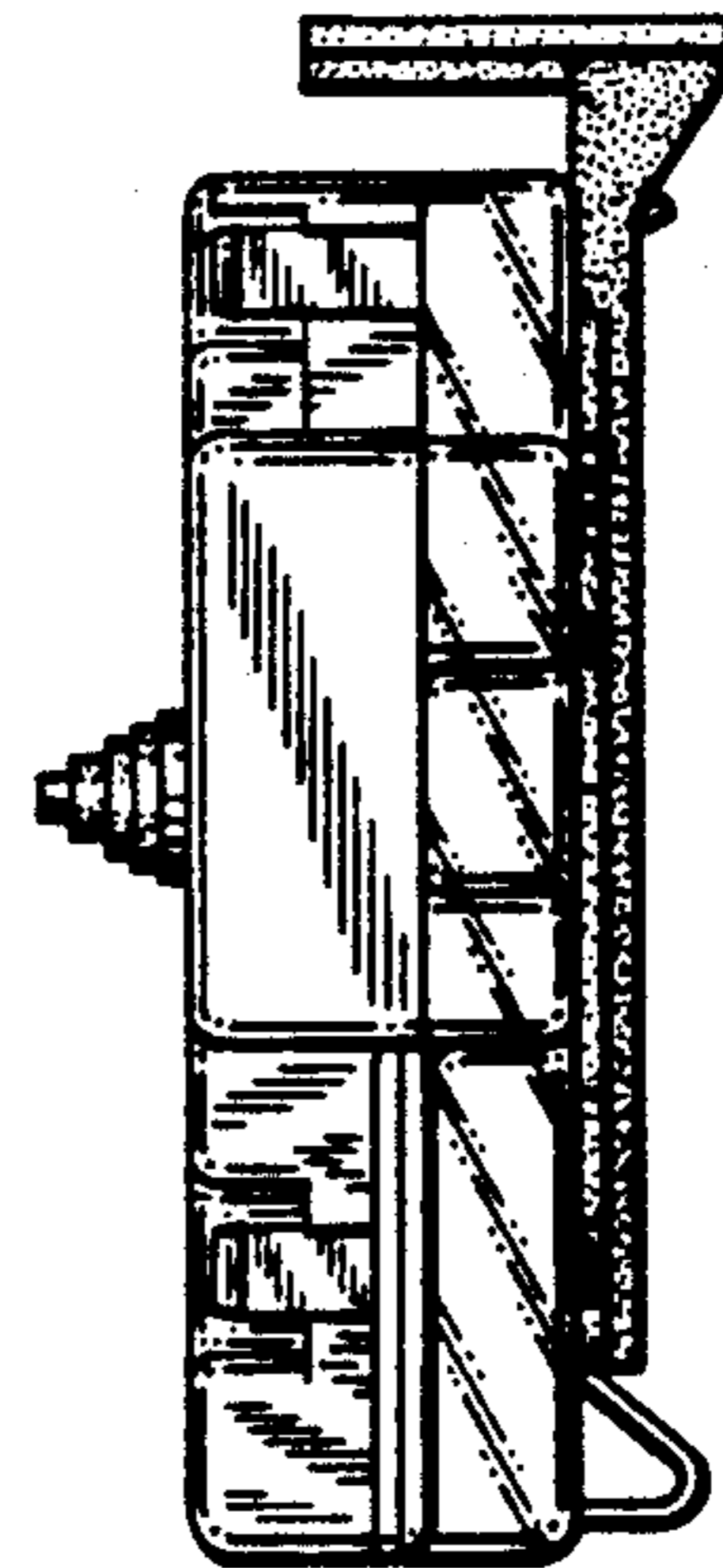


FIG. 6

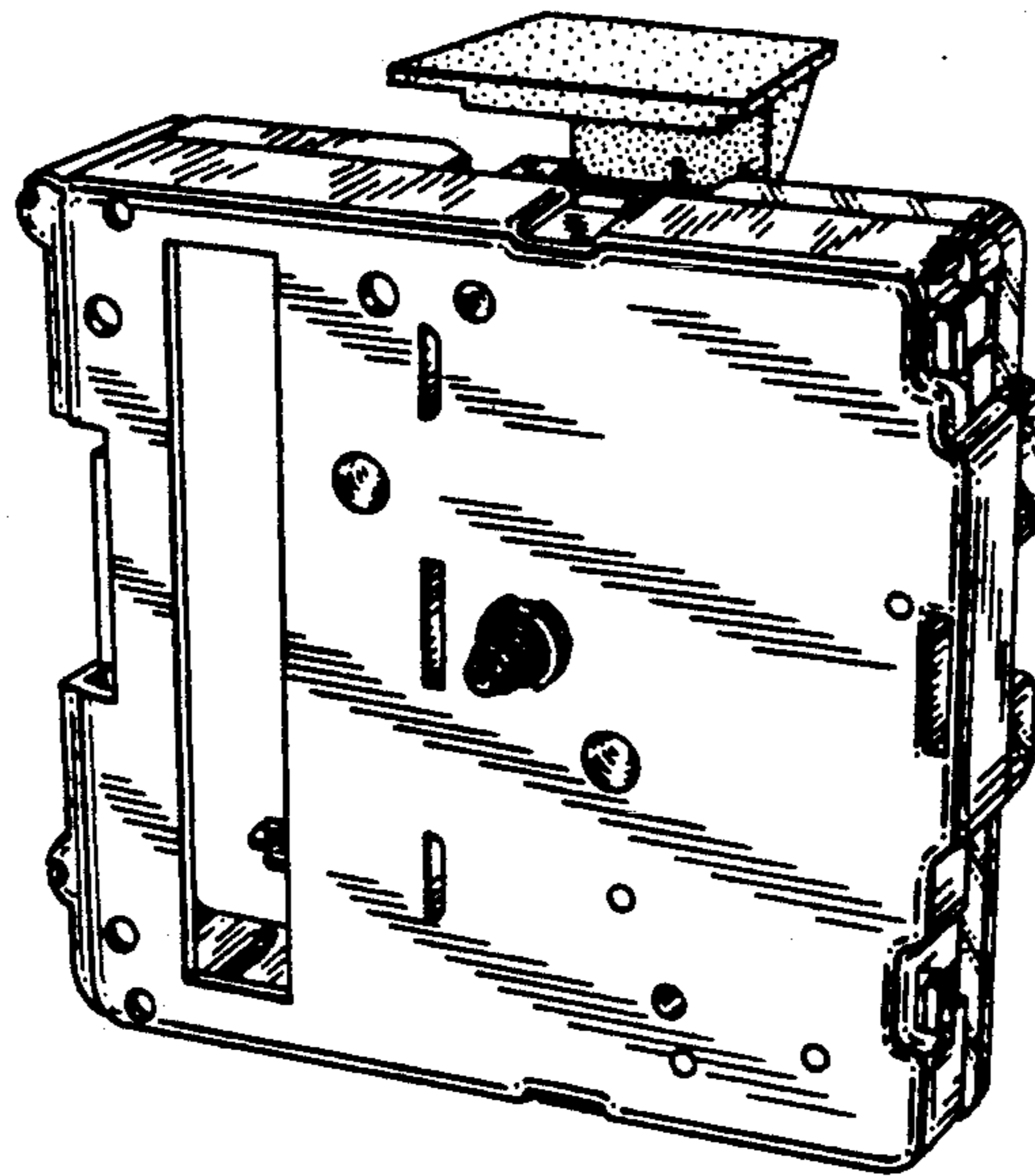


FIG. 7

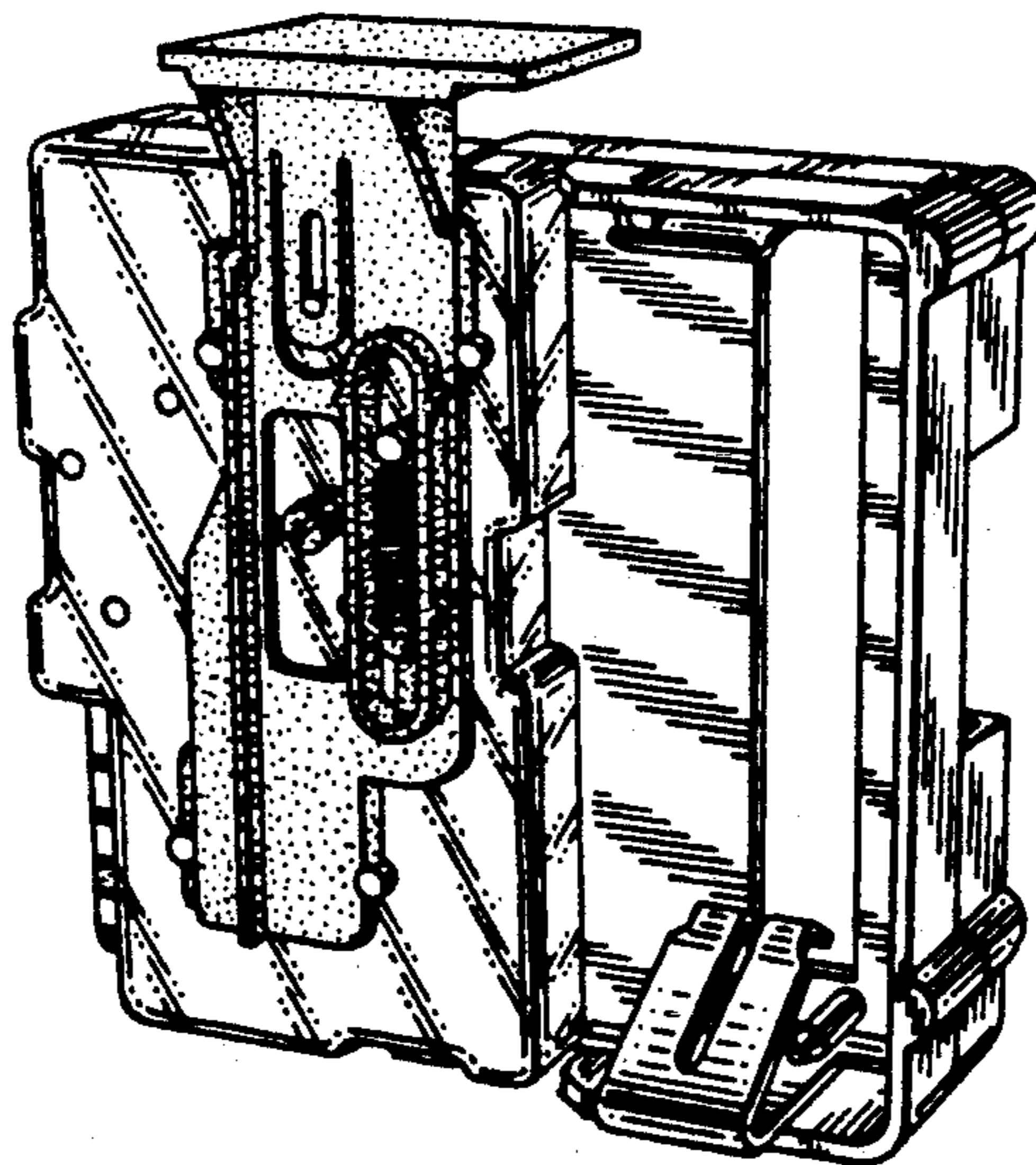


FIG. 8