



US00D326060S

United States Patent [19]

[11] Patent Number: **Des. 326,060**

Sakko

[45] Date of Patent: ** May 12, 1992

[54] PAVEMENT MARKER

FOREIGN PATENT DOCUMENTS

[76] Inventor: **Michael W. Sakko**, P.O. Box 2501,
Winter Haven, Fla. 33883

728656 5/1932 France 404/15

[**] Term: **14 Years**

Primary Examiner—Wallace R. Burke
Assistant Examiner—Marcus Jackson

[21] Appl. No.: **455,742**

[57] CLAIM

The ornamental design for a pavement marker, as shown and described.

[22] Filed: **Dec. 22, 1989**

DESCRIPTION

[52] U.S. Cl. **D10/113**

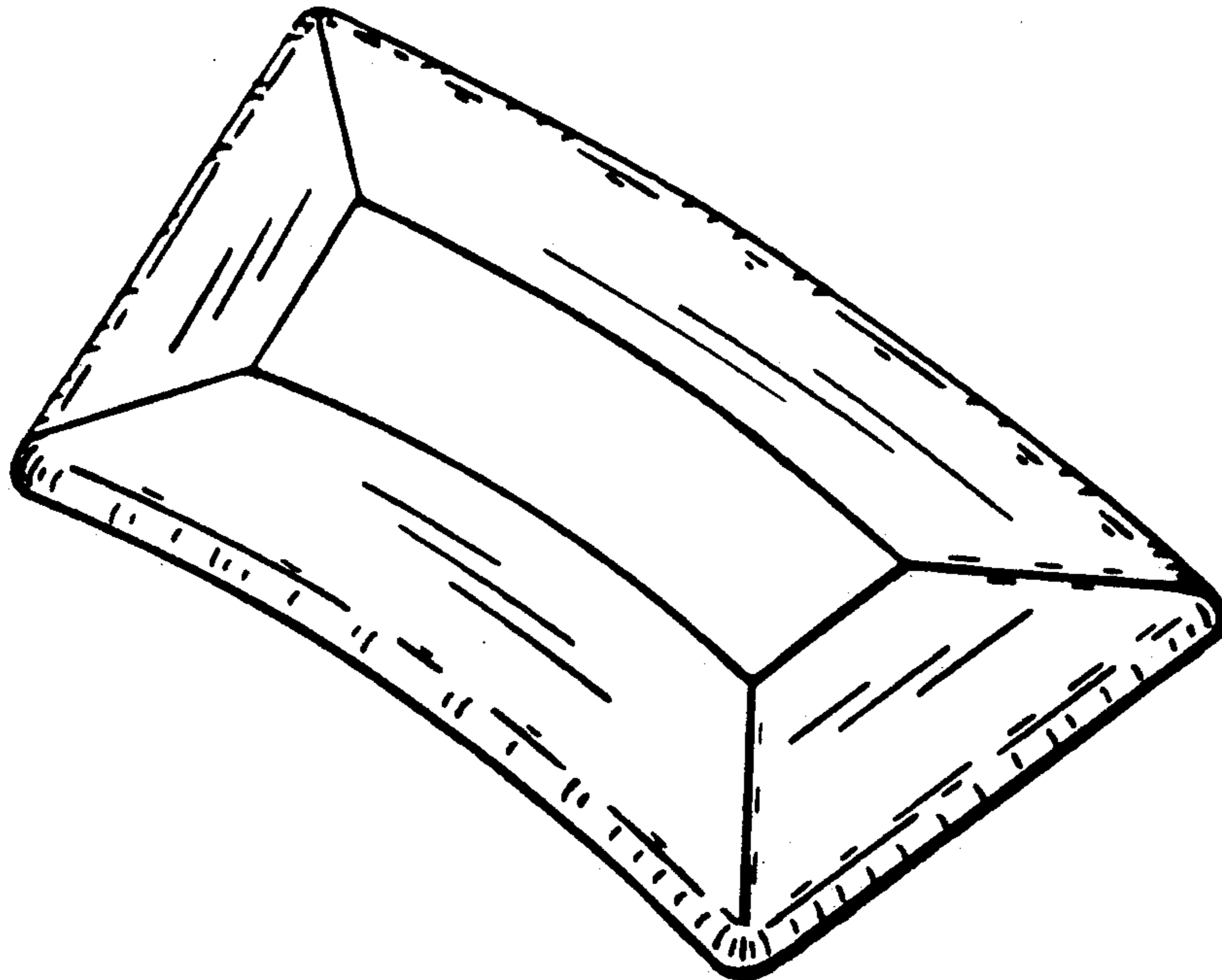
[58] Field of Search D10/113; 404/6, 7, 9,
404/11, 12, 17, 14, 15; 116/63 R, 63 P

FIG. 1 is a perspective view of a pavement marker showing my new design;
FIG. 2 is a front elevational view thereof;
FIG. 3 is a side elevational view thereof, with the opposite side being a mirror image;
FIG. 4 is a top plan view thereof; and,
FIG. 5 is a bottom plan view thereof.

[56] References Cited

U.S. PATENT DOCUMENTS

D. 301,209 5/1989 Sakko D10/113



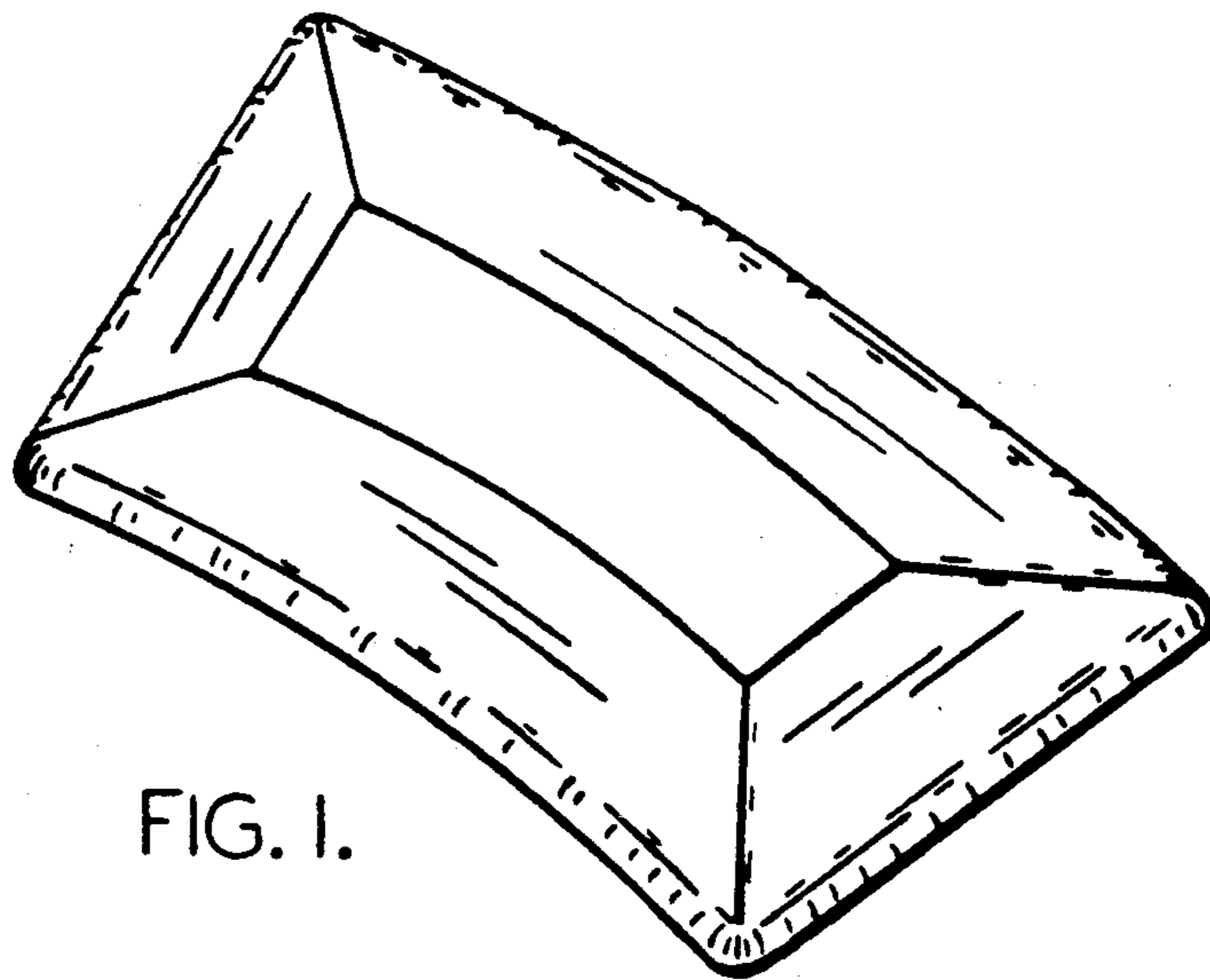


FIG. 1.



FIG. 2.

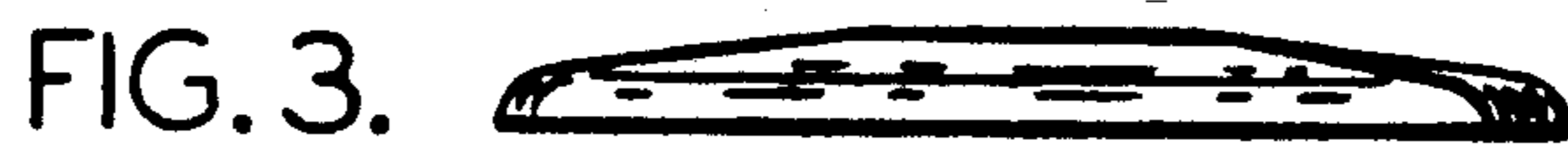


FIG. 3.

FIG. 4.

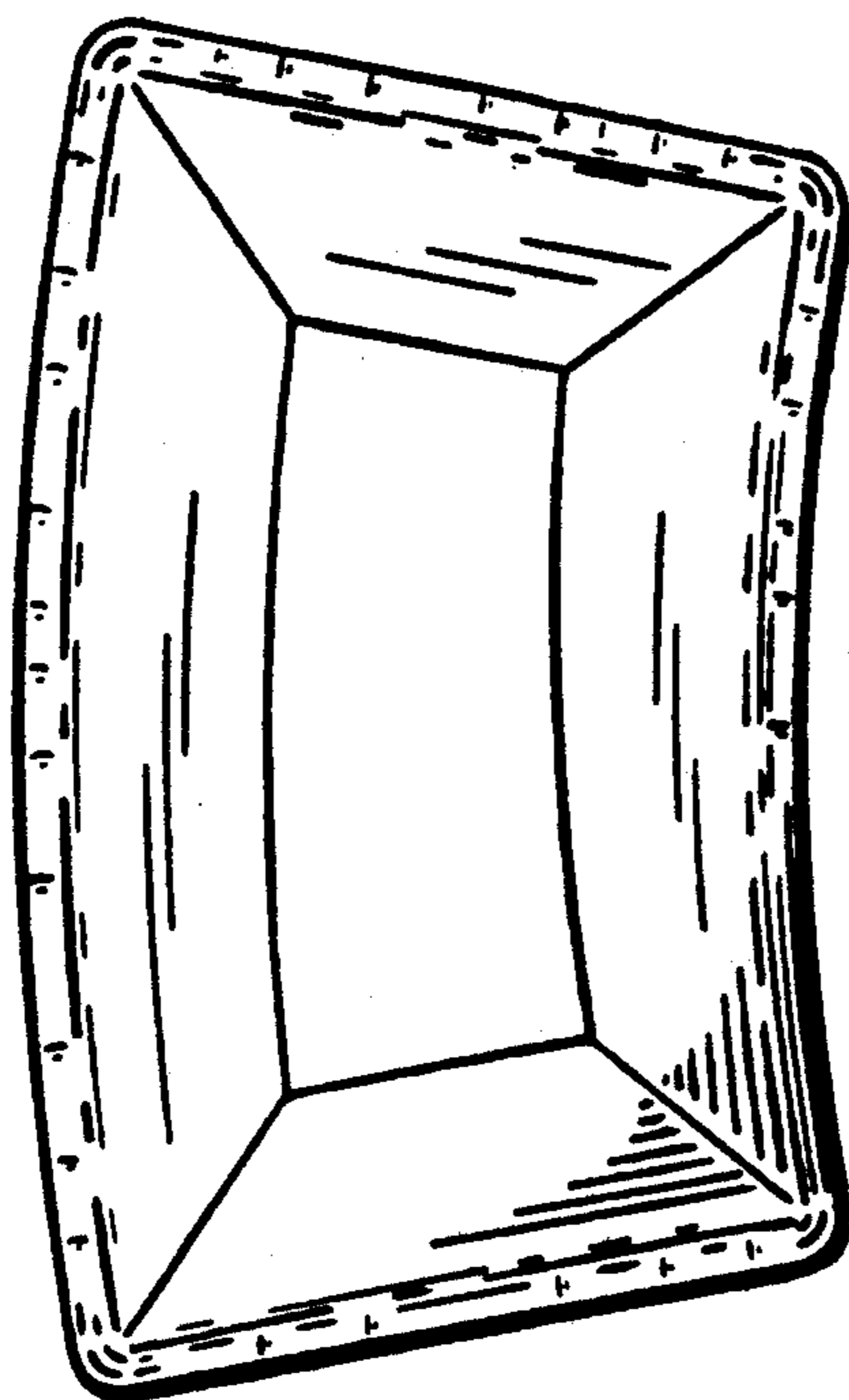


FIG. 5.

