



US00D326059S

United States Patent [19]

[11] Patent Number: **Des. 326,059**

Clark

[45] Date of Patent: **** May 12, 1992**

[54] LEVEL

[76] Inventor: **Gary E. Clark, 240 E. Kathleen, Sikeston, Mo. 63801**

[**] Term: **14 Years**

[21] Appl. No.: **376,582**

[22] Filed: **Jul. 7, 1989**

[52] U.S. Cl. **D10/69**

[58] Field of Search **D10/69; 33/370, 371, 33/372, 376, 379, 384, 388, 429, 437, 451**

4,660,292	4/1987	Richardson	33/451
4,739,561	4/1988	Mills	33/370
4,745,688	5/1988	Oewers	D10/69 X
4,964,219	10/1990	Clark	33/451

Primary Examiner—Bruce W. Dunkins
Assistant Examiner—Antoine D. Davis
Attorney, Agent, or Firm—Rogers, Howell & Haferkamp

[57] CLAIM

The ornamental design for a level, as shown and described.

DESCRIPTION

FIG. 1 is a top plan view of a level showing my new design;

FIG. 2 is a front elevational view;

FIG. 3 is a left side elevational view;

FIG. 4 is a right side elevational view;

FIG. 5 is a bottom plan view;

FIG. 6 is a rear elevational view; and,

FIG. 7 is a perspective view thereof.

[56] References Cited

U.S. PATENT DOCUMENTS

D. 269,663	7/1983	Smith et al.	D10/69
D. 317,725	6/1991	McCord	D10/69
449,609	3/1891	Green	33/371
1,183,638	5/1916	Glasec	D10/69 X
1,940,808	12/1933	Linsert	33/372
2,776,495	1/1957	Dickey	33/371

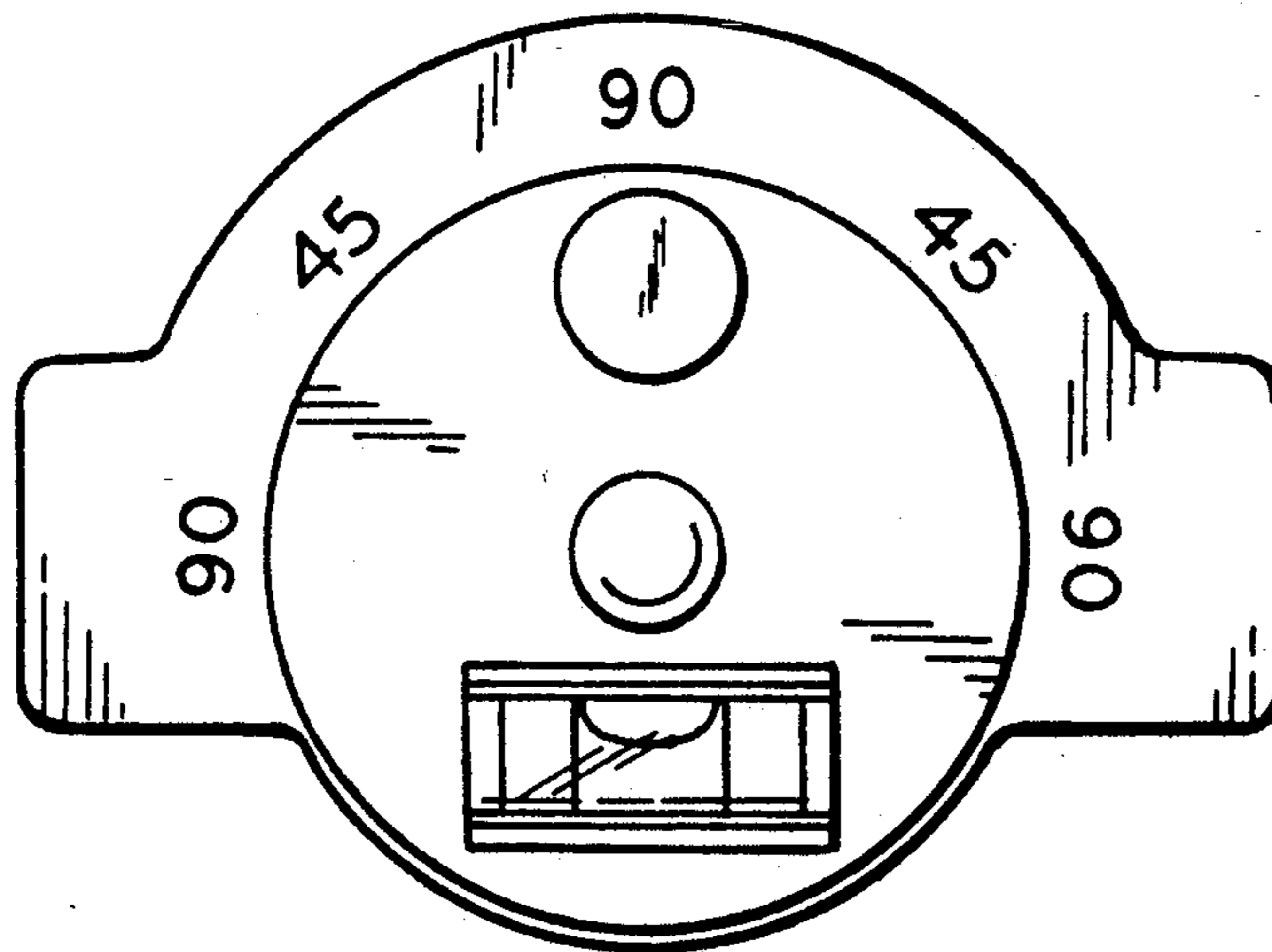


FIG. 1.

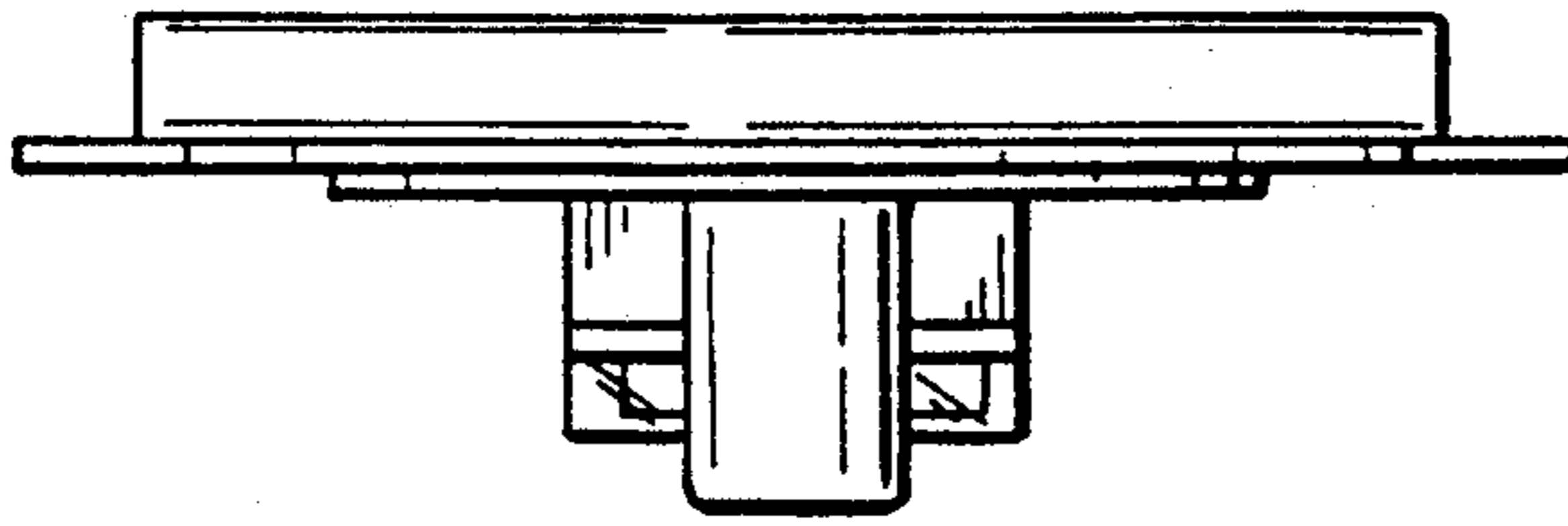


FIG. 3.

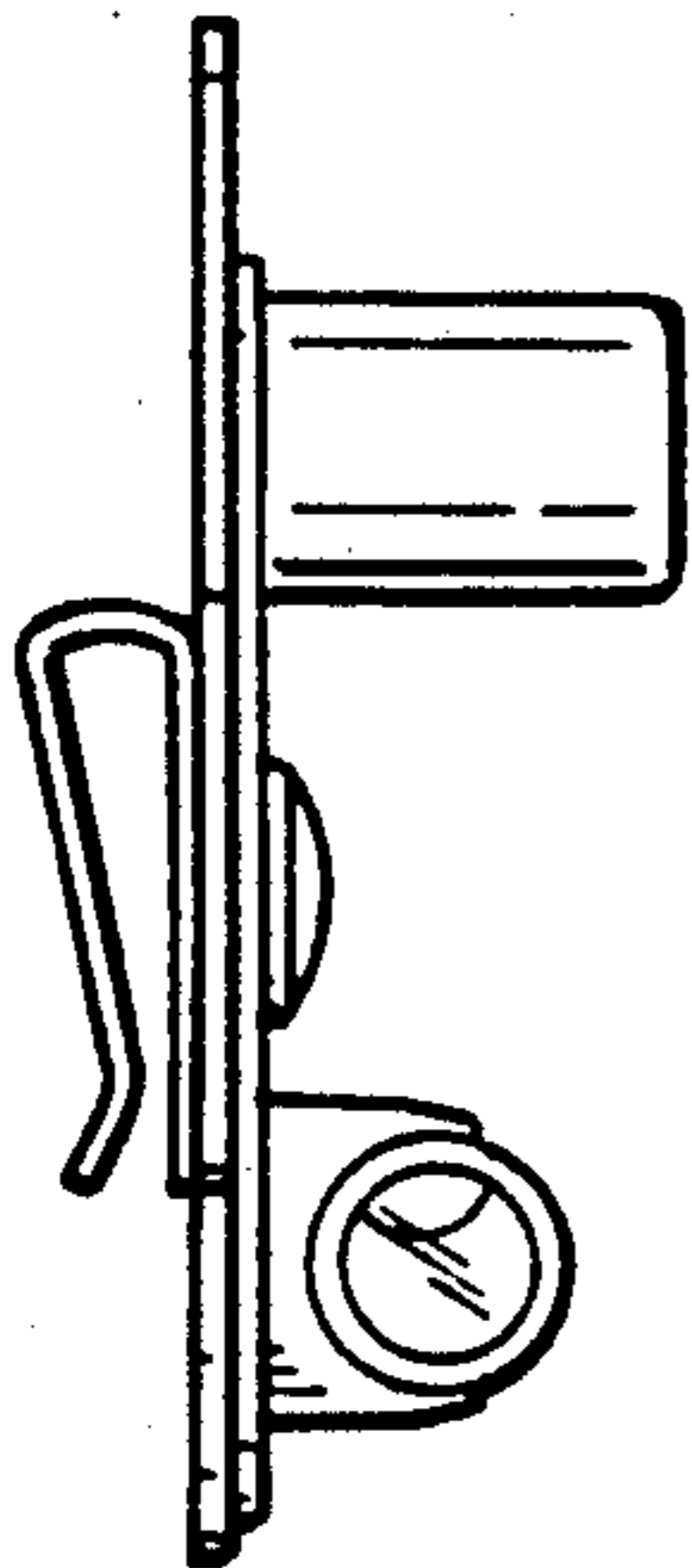


FIG. 2.

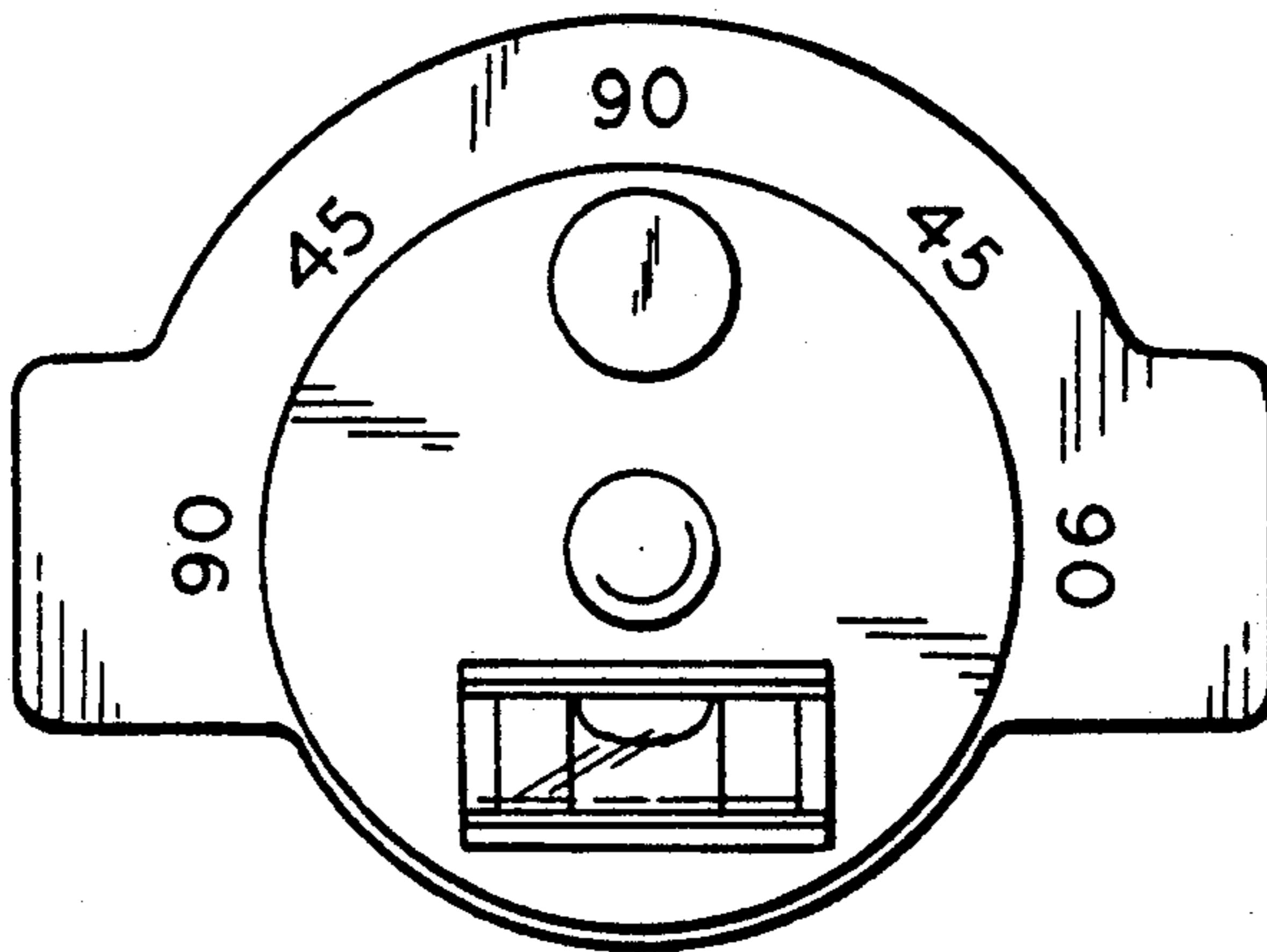


FIG. 4.

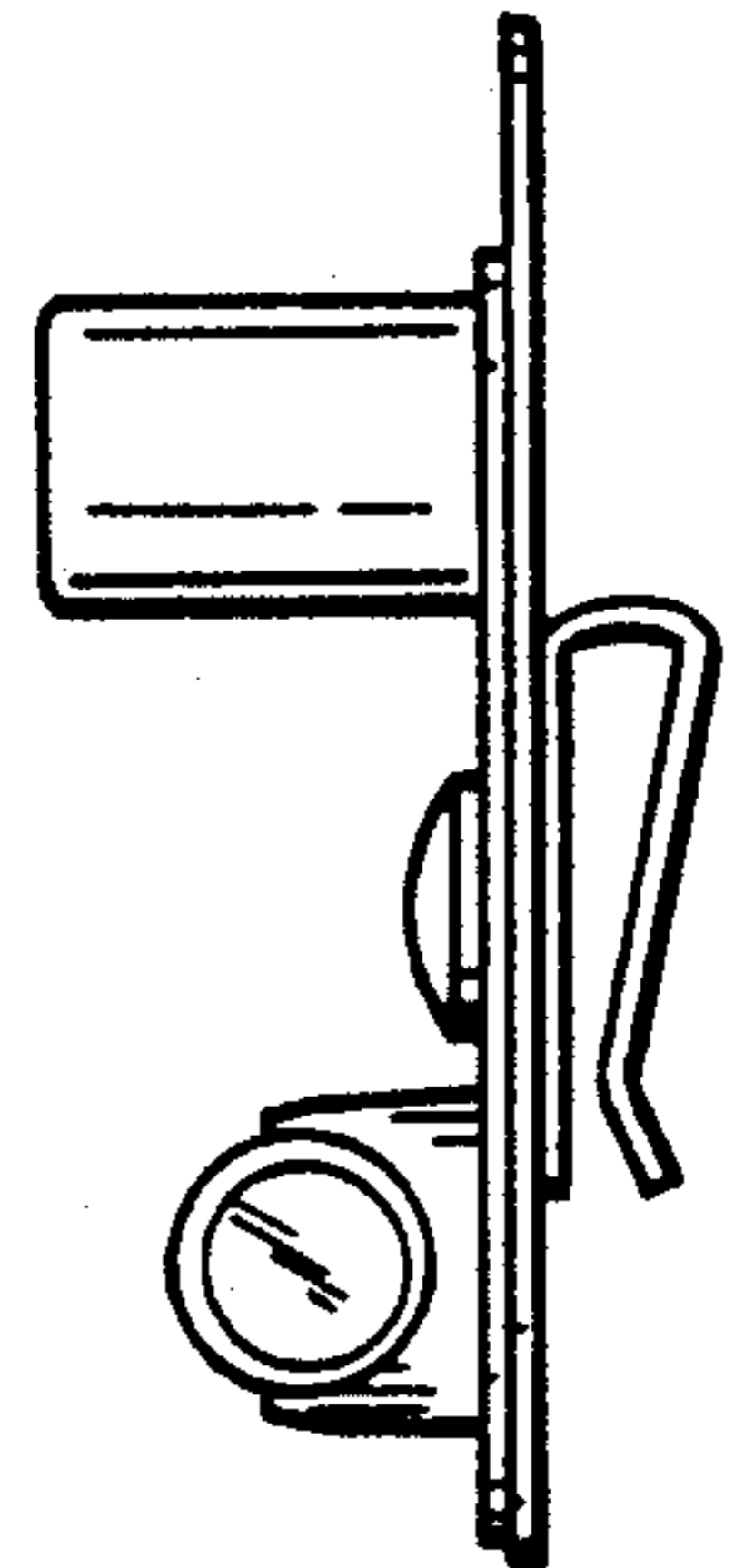


FIG. 5.

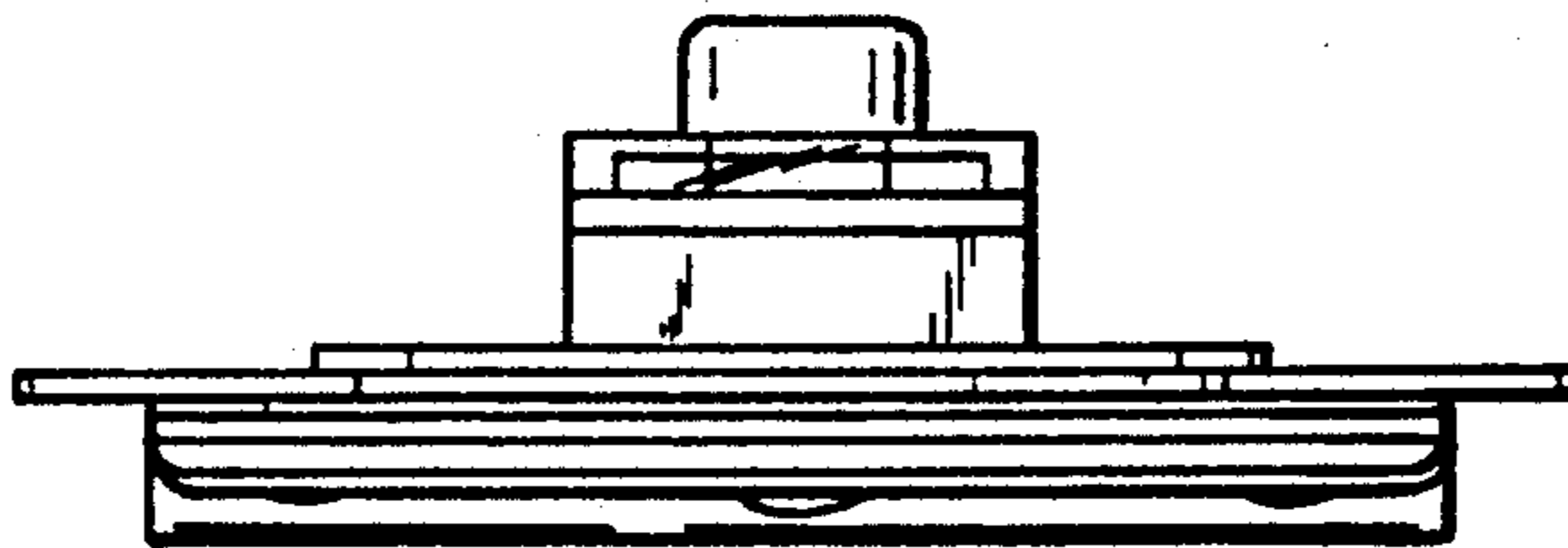


FIG. 6.

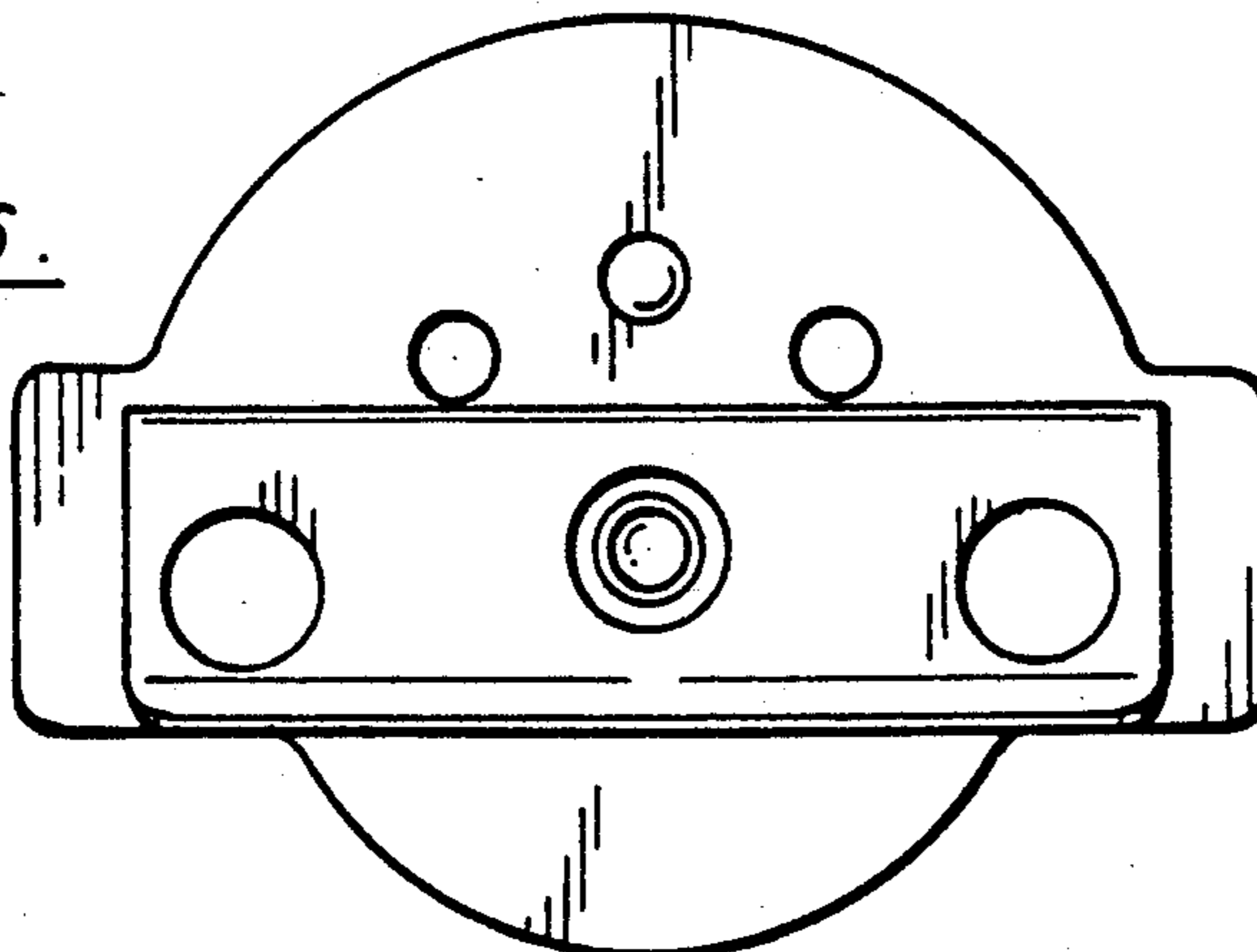


FIG. 7.

