



US00D326058S

United States Patent [19]

[11] Patent Number: **Des. 326,058**

Schneider

[45] Date of Patent: **** May 12, 1992**

[54] **WRIST-WATCH**

3,427,800 2/1969 Blum D10/31 X

[75] Inventor: **Ernest Schneider**, Evilard, Switzerland

OTHER PUBLICATIONS

[73] Assignee: **Breitling Montres S.A.**, Grenchen, Switzerland

Swiss Watch & Jewelry Journal-Feb. 1987-p. 618--
Watch.

[**] Term: **14 Years**

Jeweler's Circular-Keystone-Sep. 1984-p. 25-Watch.
Hong Kong Enterprise-Jul. 1988-p. 403-Watches at top.

[21] Appl. No.: **405,356**

Primary Examiner-Nelson C. Holtje
Attorney, Agent, or Firm-Woodard, Emhardt,
Naughton, Moriarty & McNett

[22] Filed: **Sep. 8, 1989**

[30] **Foreign Application Priority Data**

[57] CLAIM

Mar. 9, 1989 [XH] Hague DM/013049

The ornamental design for a wrist-watch, as shown.

[52] U.S. Cl. **D10/39**

DESCRIPTION

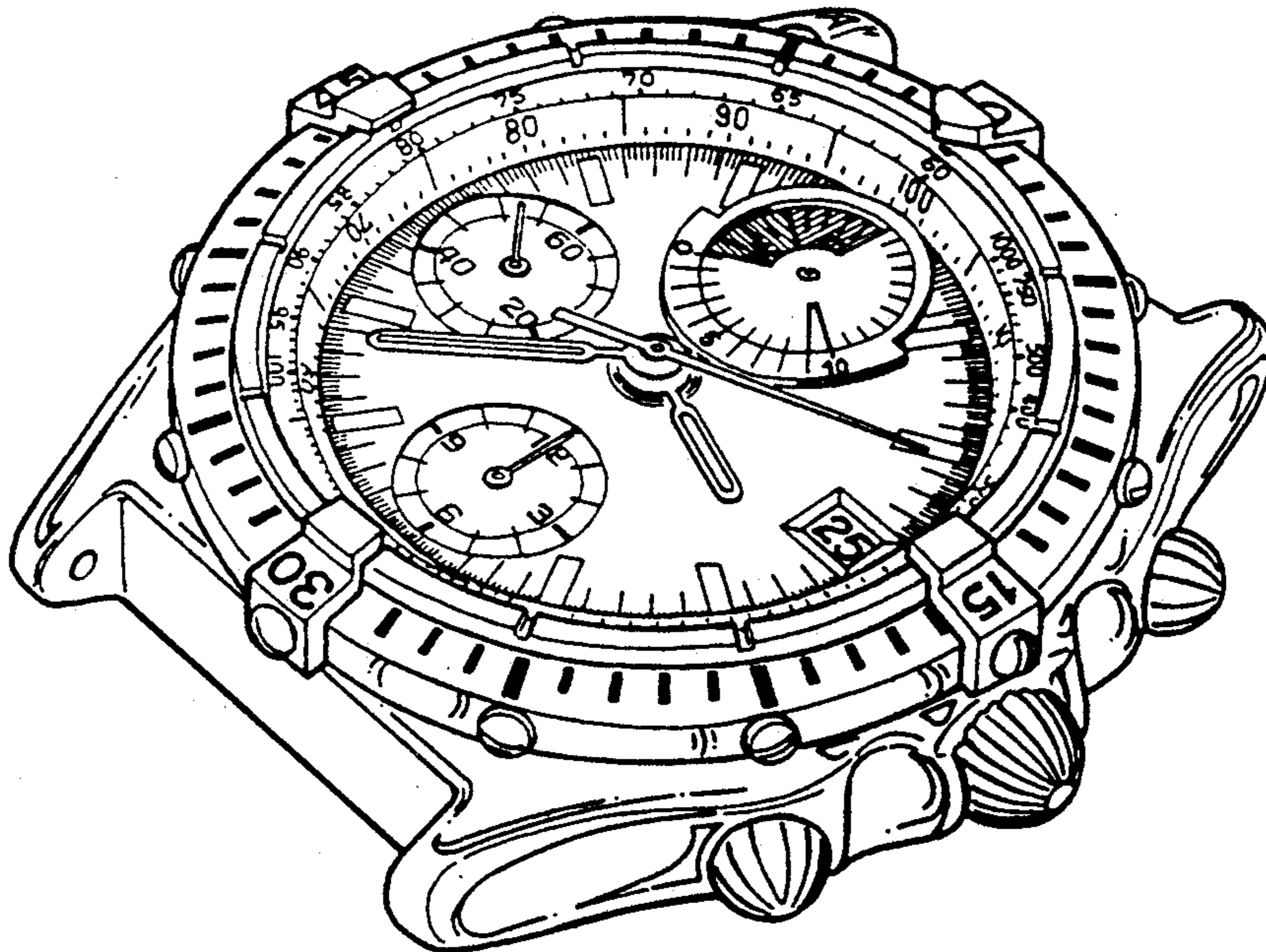
[58] Field of Search D10/1-40,
D10/122-132; 368/276-277, 280-282,
107-121, 285

FIG. 1 is a top and right-front perspective view of a wrist-watch showing my new design;
FIG. 2 is a top plan view thereof;
FIG. 3 is a right side elevational view thereof;
FIG. 4 is a bottom plan view thereof;
FIG. 5 is a left side elevational view thereof;
FIG. 6 is a rear elevational view thereof; and,
FIG. 7 is a front elevational view thereof.

[56] **References Cited**

U.S. PATENT DOCUMENTS

D. 301,986 7/1989 Hysek D10/39 X
D. 314,517 2/1991 DuBois D10/39



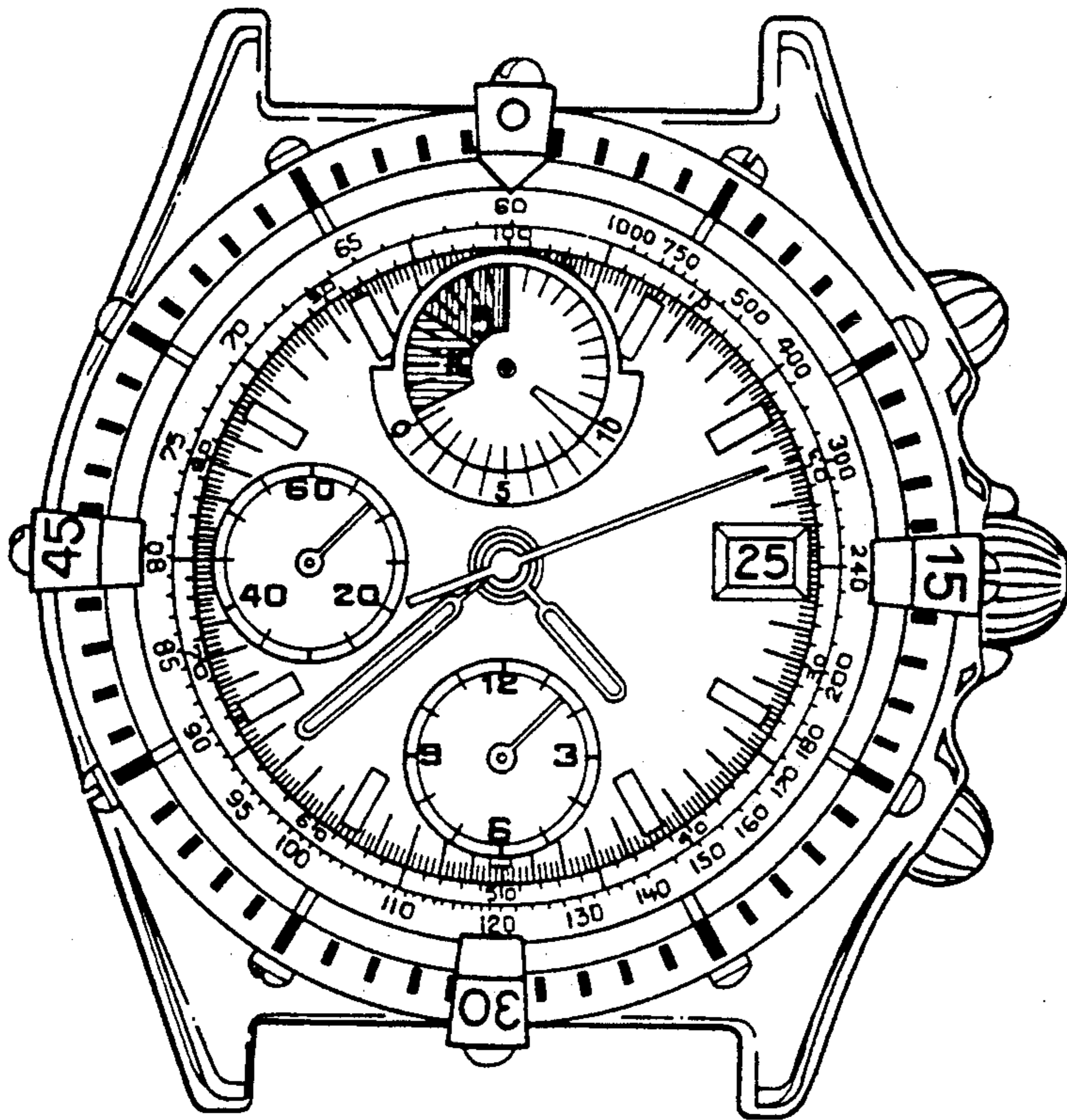


Fig. 2

Fig. 1

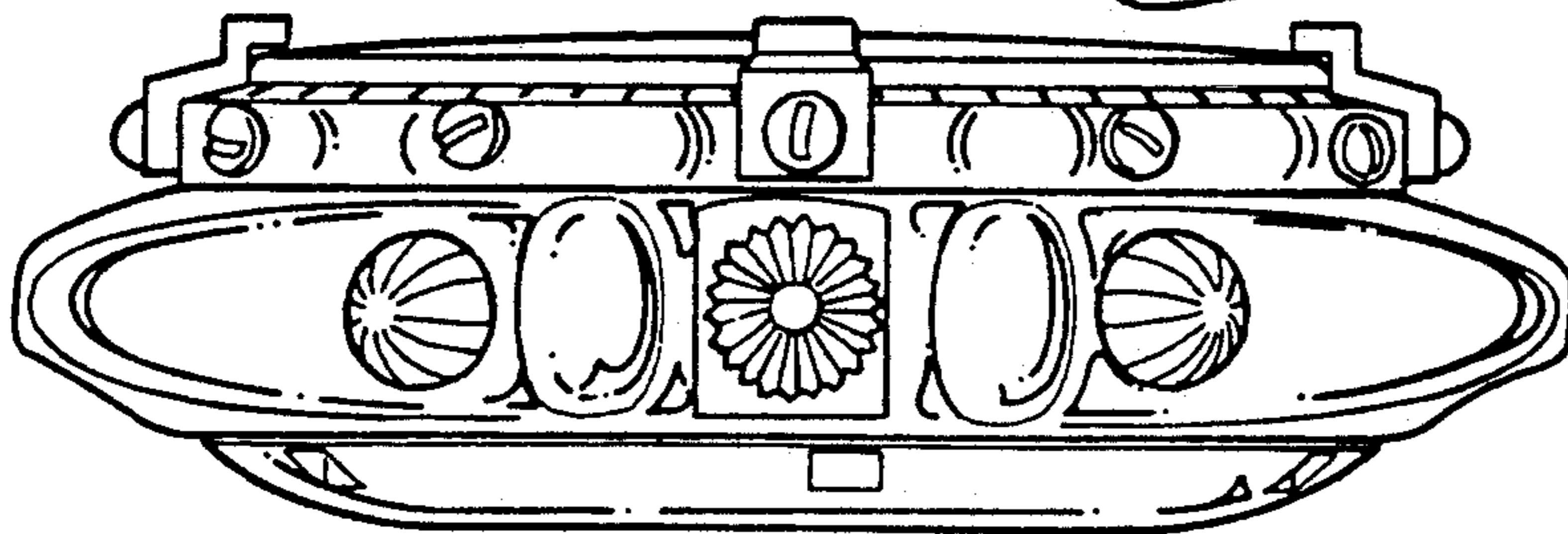
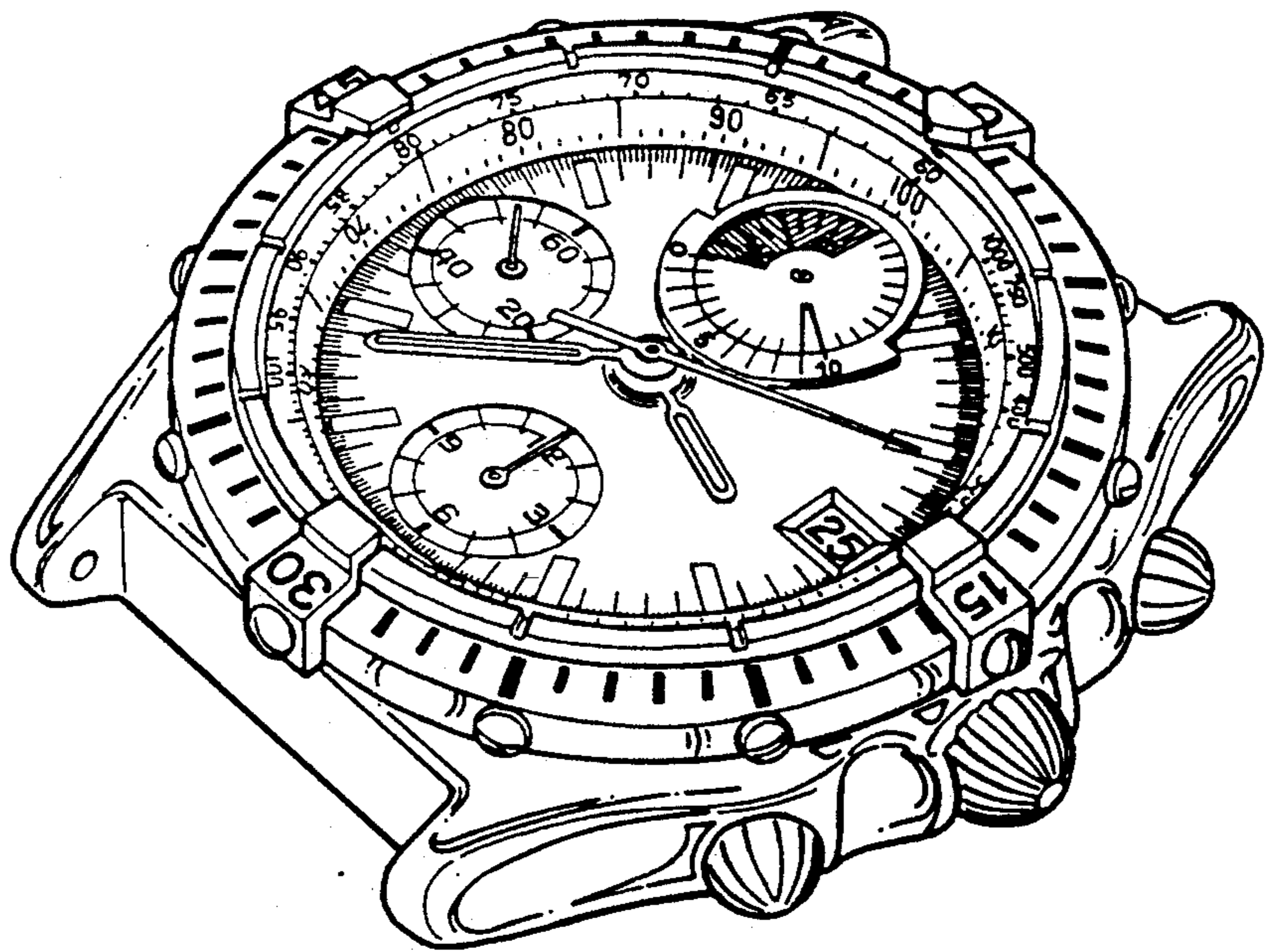


Fig. 3

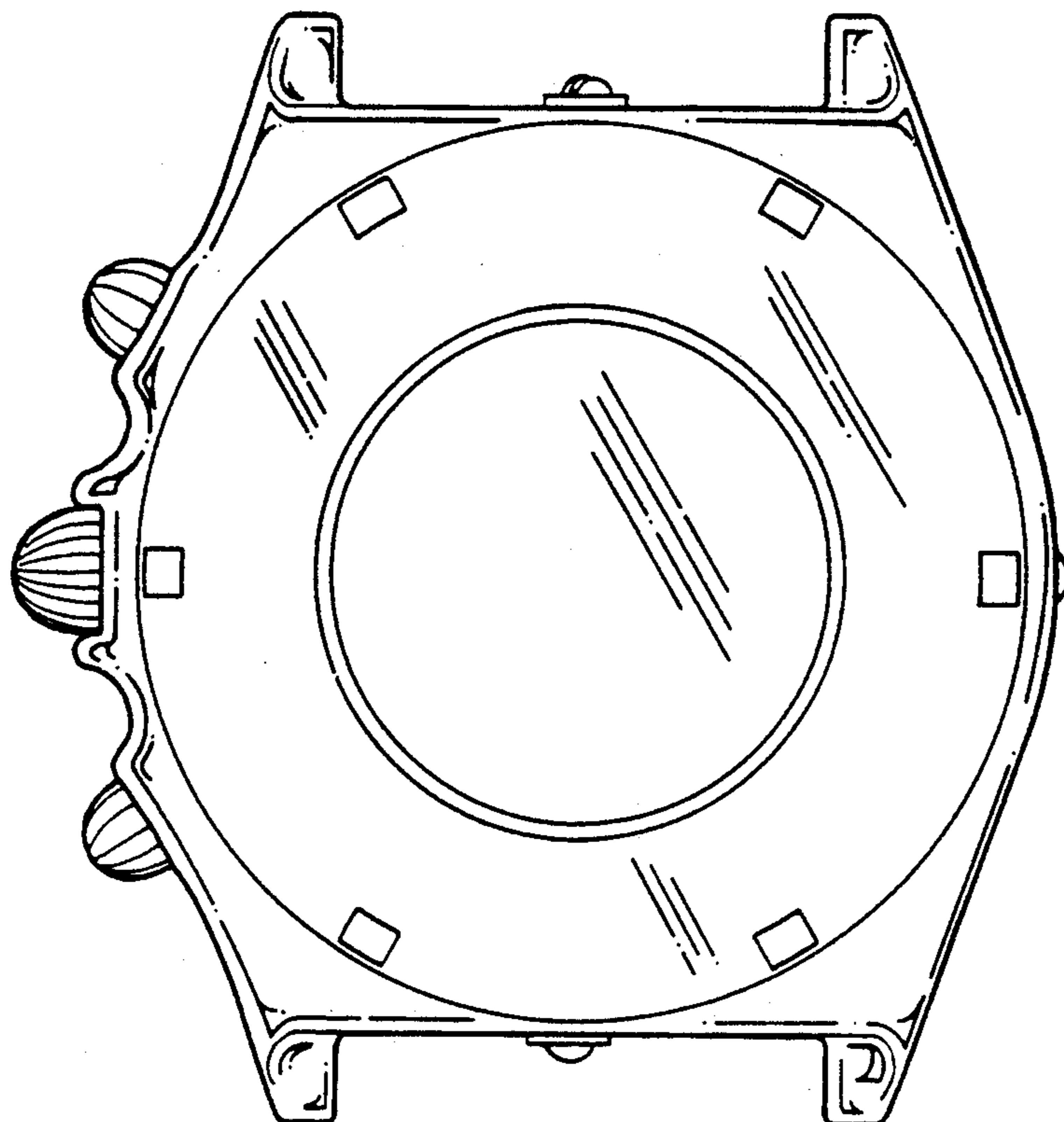


Fig. 4

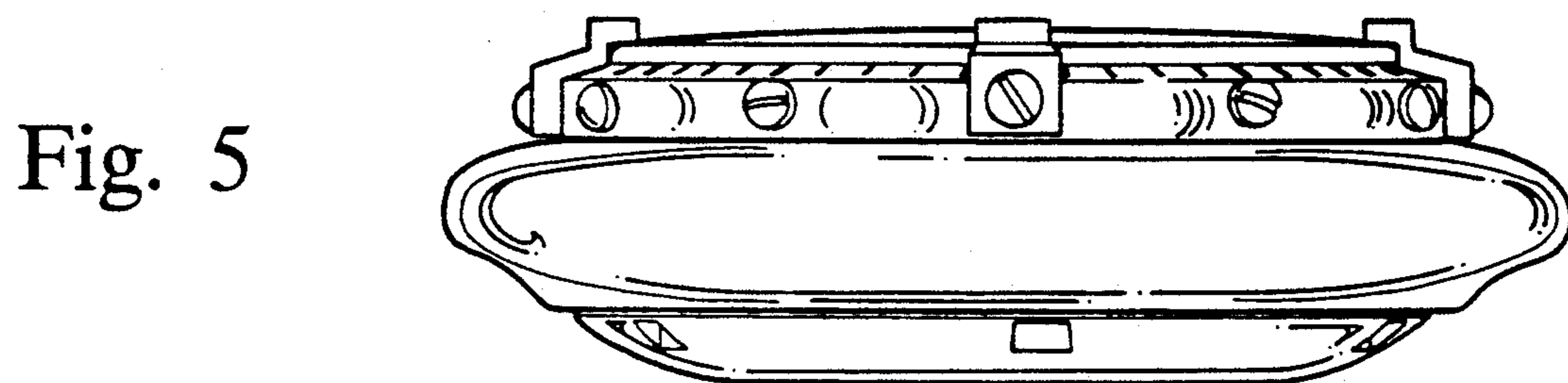


Fig. 5

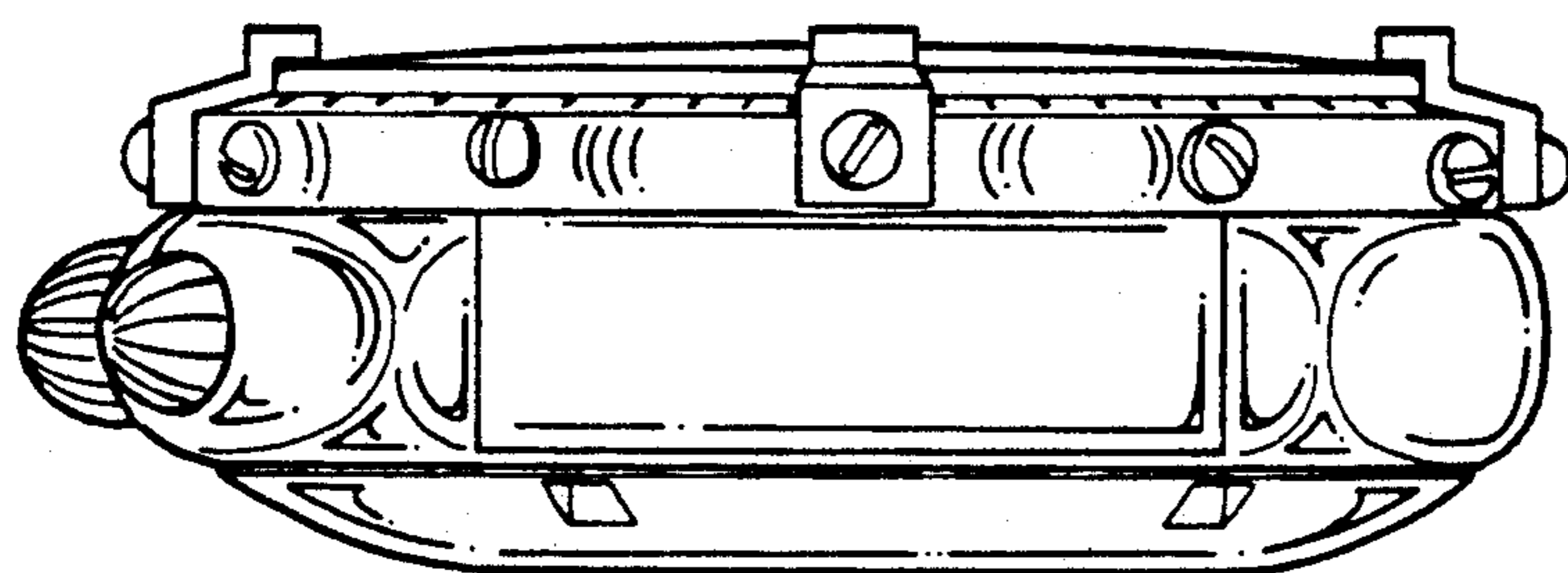


Fig. 6

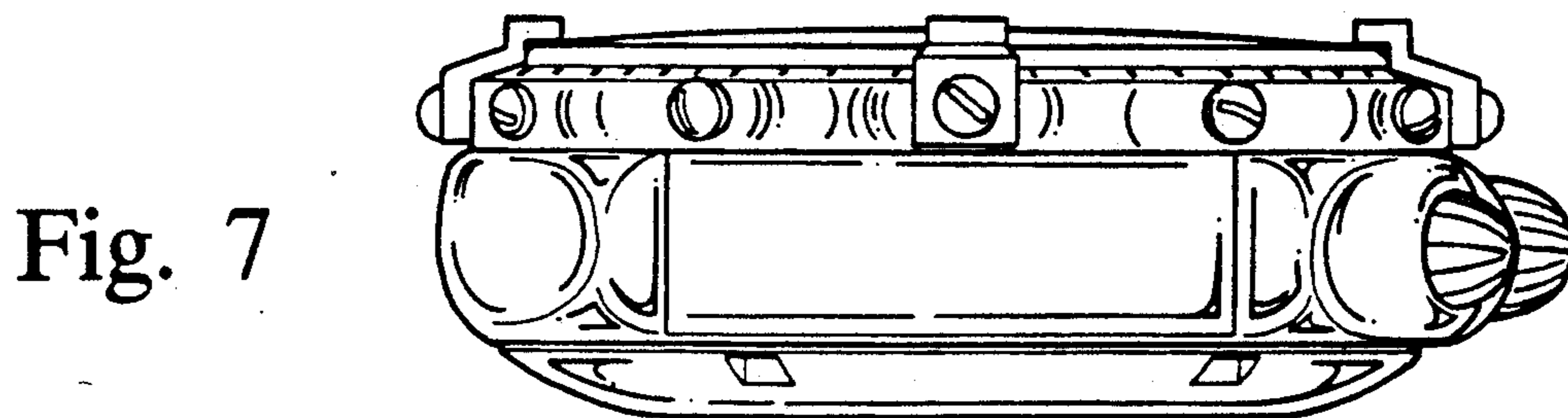


Fig. 7