



US00D326048S

United States Patent [19]

[11] Patent Number: **Des. 326,048**

Adler

[45] Date of Patent: **** May 12, 1992**

[54] **KITE LINE SPOOL FOR A PORTABLE POWER DRIVE**

D. 244.808	6/1977	Ubermuth	D3/24
1.061.590	5/1913	Bennet	D3/24 X
1.656.032	1/1928	Birkholtz	D3/24 X
3.357.654	12/1967	Losman et al.	242/96
4.153.222	5/1979	Than	242/96

[76] Inventor: **Murray Adler, 2536 Seamist Crt., Port Hueneme, Calif. 93041**

[**] Term: **14 Years**

*Primary Examiner—Wallace R. Burke
Assistant Examiner—H. Baynham
Attorney, Agent, or Firm—David O'Reilly*

[21] Appl. No.: **482,325**

[22] Filed: **Feb. 16, 1990**

[57] **CLAIM**

Related U.S. Application Data

The ornamental design for a kite line spool for a portable power drive, as shown and described.

[63] Continuation-in-part of Ser. No. 391,365, Aug. 8, 1989.

[52] U.S. Cl. **D8/359**

[58] Field of Search D8/359, 358; 242/225, 242/277, 245, 246, 100.1, 96; D3/23, 24

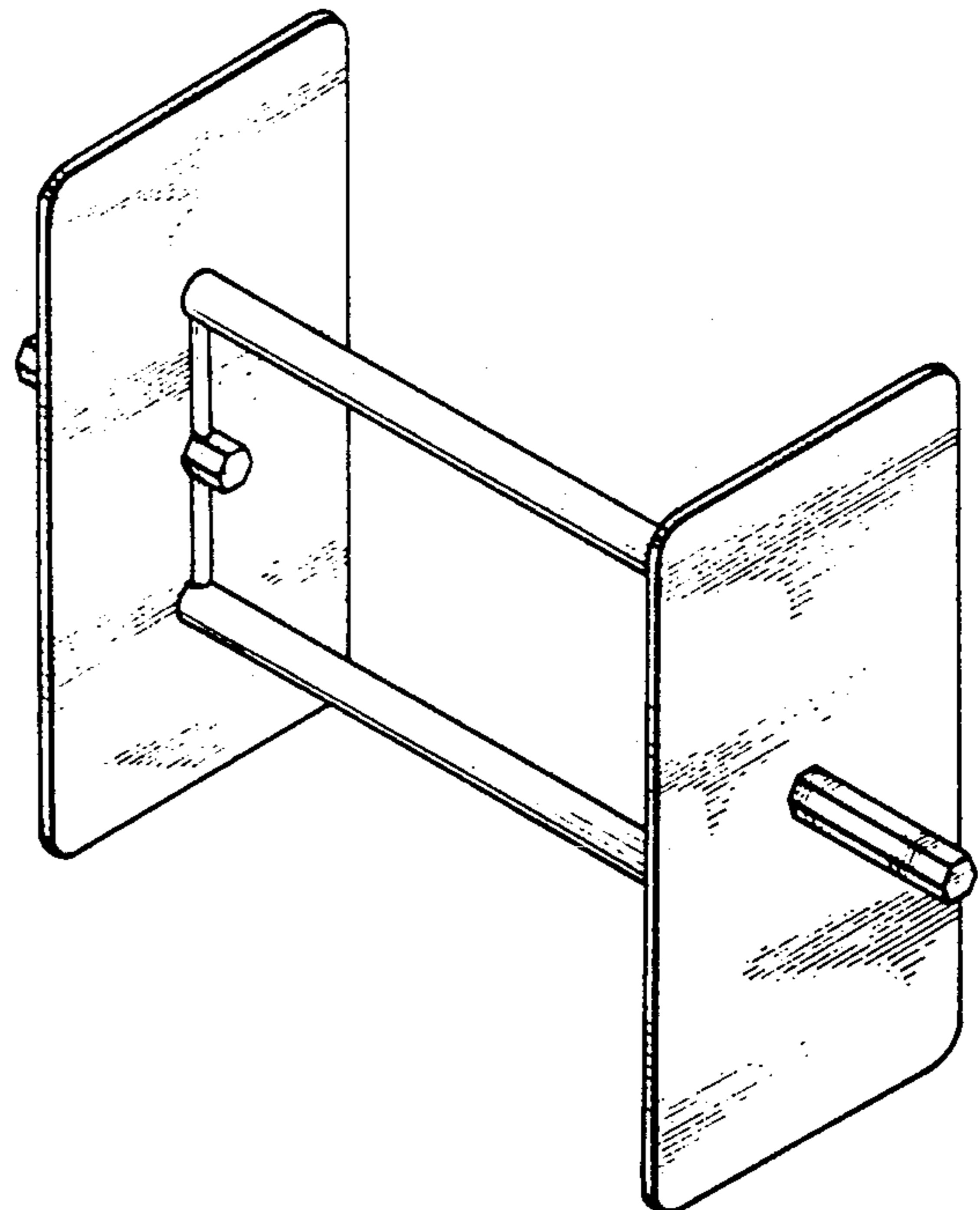
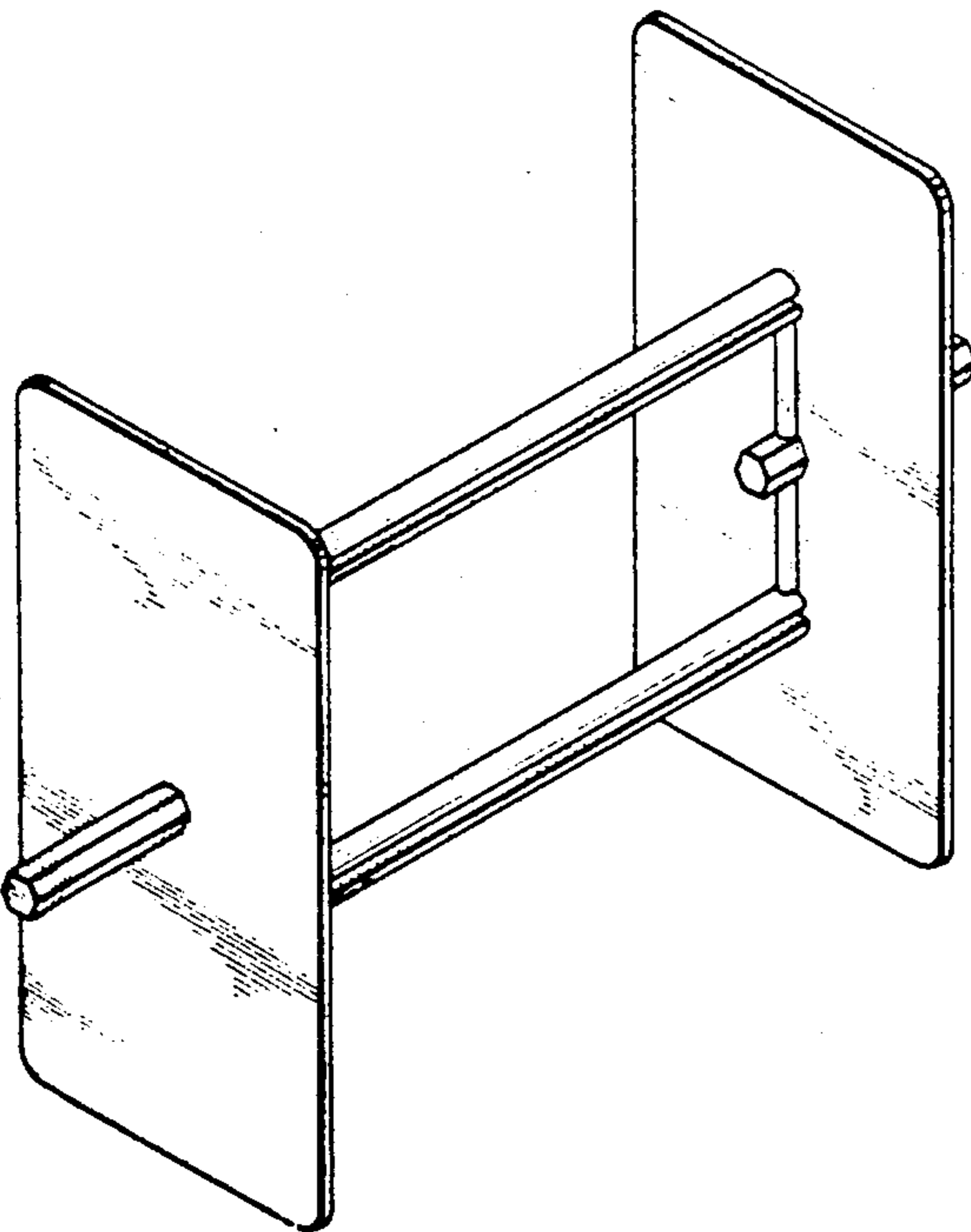
DESCRIPTION

[56] **References Cited**

FIG. 1 is a front perspective view of a kite line spool for a portable power drive showing my new design; and, FIG. 2 is a rear perspective view thereof.

U.S. PATENT DOCUMENTS

The phantom lines showing a portable power drive and a string in FIG. 1 are for illustrative purposes only and form no part of the claimed design.



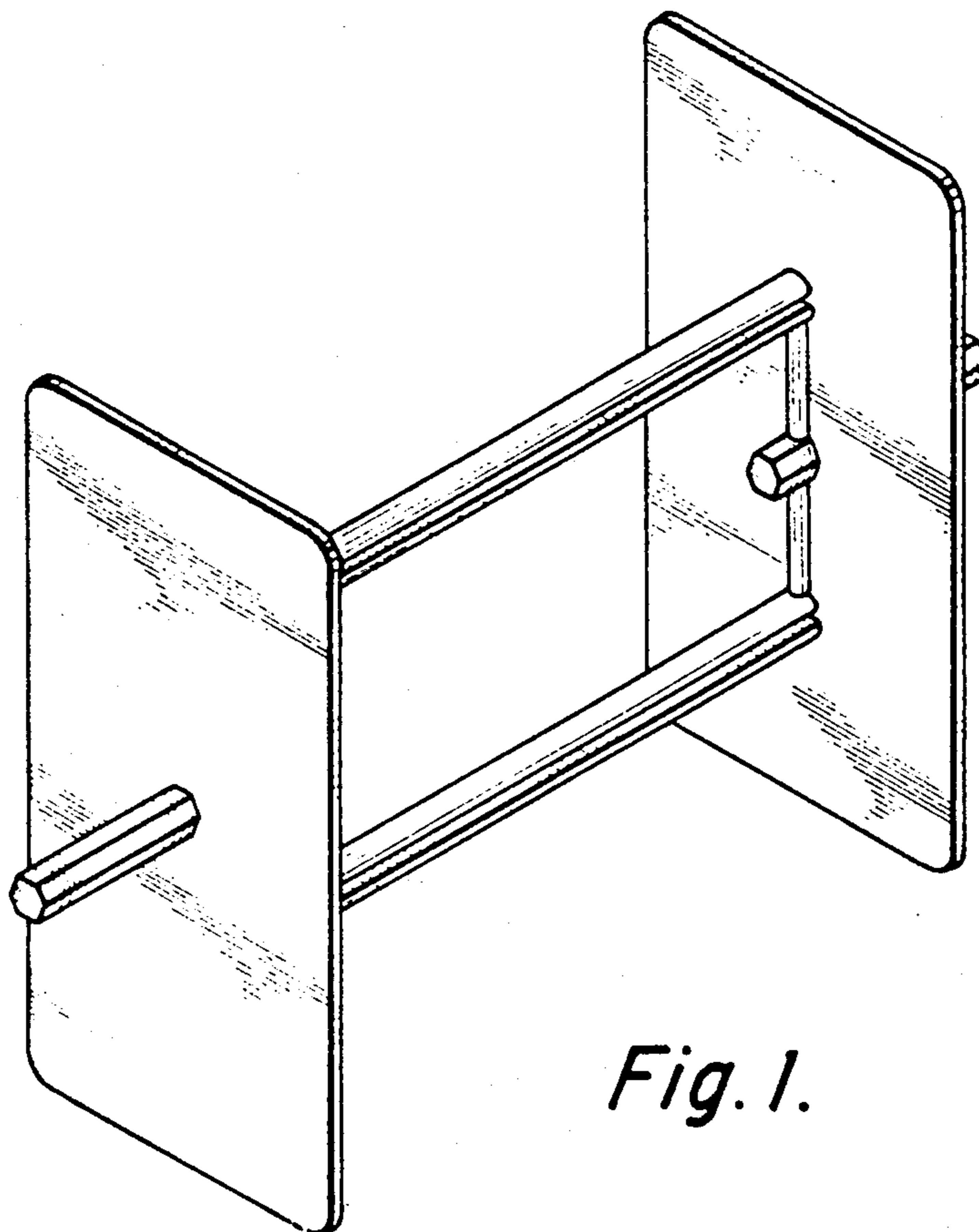


Fig. 1.

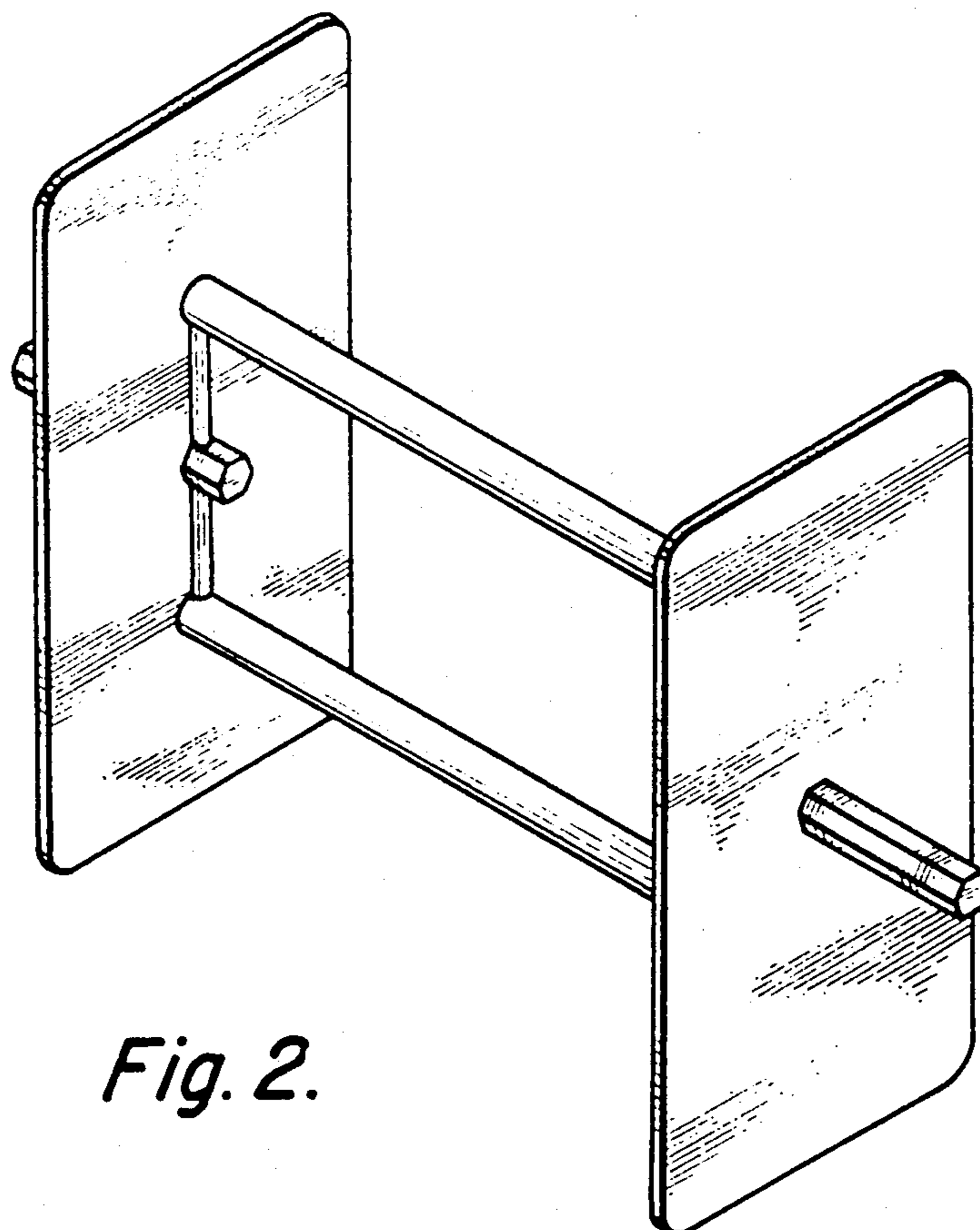


Fig. 2.