



US00D326046S

United States Patent [19]

[11] Patent Number: **Des. 326,046**

Heald

[45] Date of Patent: **** May 12, 1992**

[54] **PROTECTIVE COVER FOR A PADLOCK**

[76] Inventor: **Charles J. Heald**, 137 River Village Cir., Dayton, Nev. 89403

[**] Term: **14 Years**

[21] Appl. No.: **585,851**

[22] Filed: **Sep. 4, 1990**

[52] U.S. Cl. **D8/346**

[58] Field of Search **D8/330-331, D8/333-334, 346; 70/14, 20, 23, 51-52, 54-55, 443, 448**

D. 248.190	6/1978	Motzer	D8/335 X
389.215	9/1888	Friedmann	70/41
4.297.861	11/1981	Dykes	70/55
4.882.918	11/1989	Stanich	70/54
4.905.486	3/1990	Applebaum	70/55 X
5.033.279	7/1991	Lebrecht	70/55

Primary Examiner—Brian N. Vinson
Attorney, Agent, or Firm—John J. Posta, Jr.

[57] CLAIM

The ornamental design for a protective cover for a padlock, as shown and described.

DESCRIPTION

FIG. 1 is a top, rear, and right side perspective view of a protective cover for a padlock showing my new design:

FIG. 2 is a front elevational view thereof;

FIG. 3 is a left side elevational view thereof;

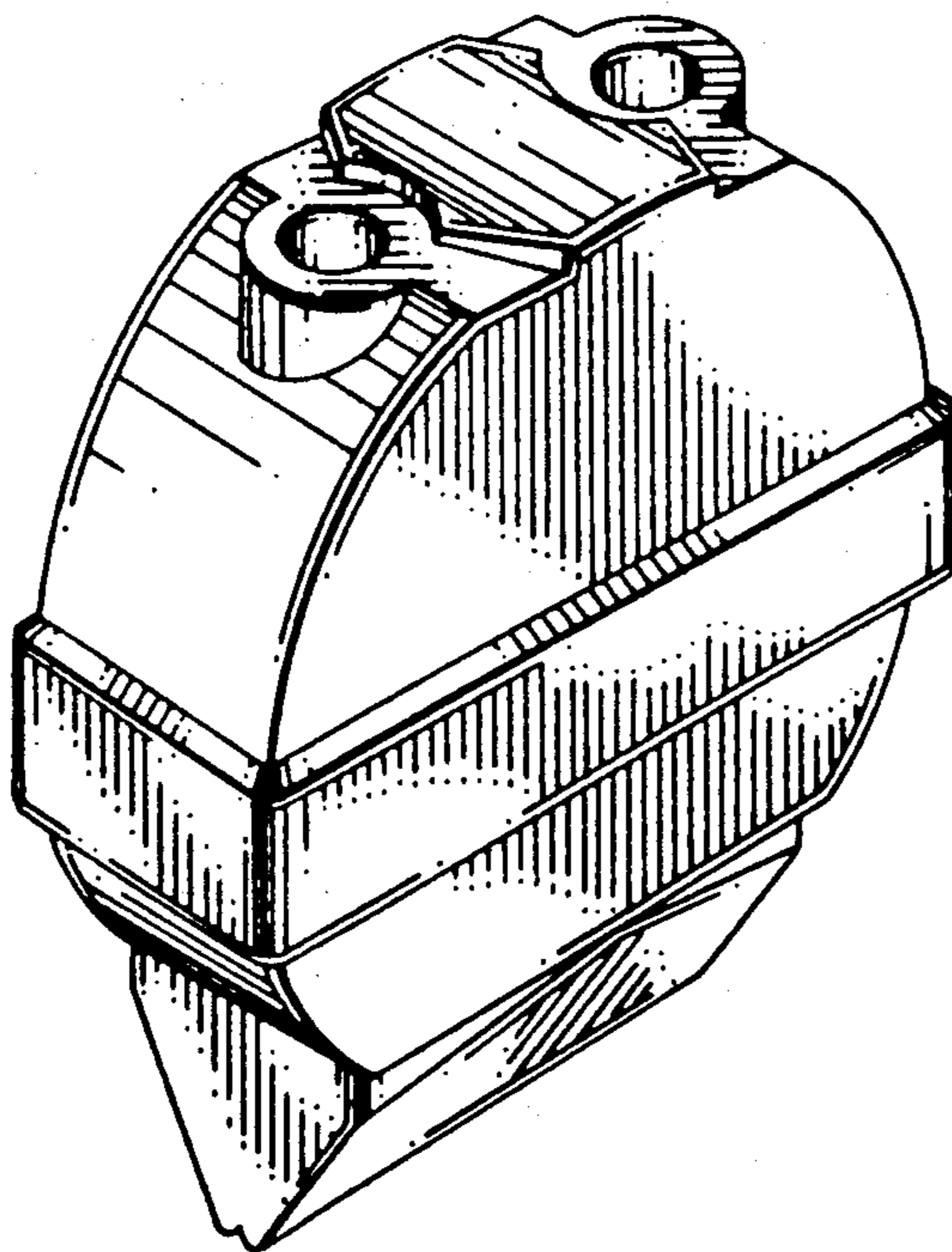
FIG. 4 is a top plan view thereof; and,

FIG. 5 is a bottom plan view thereof.

[56] References Cited

U.S. PATENT DOCUMENTS

D. 25.664	6/1896	Roche	D8/334
D. 27.609	8/1897	Roberts	D8/333
D. 37.771	1/1906	Douglas	D8/335
D. 144.683	5/1946	Bonhall	D8/334



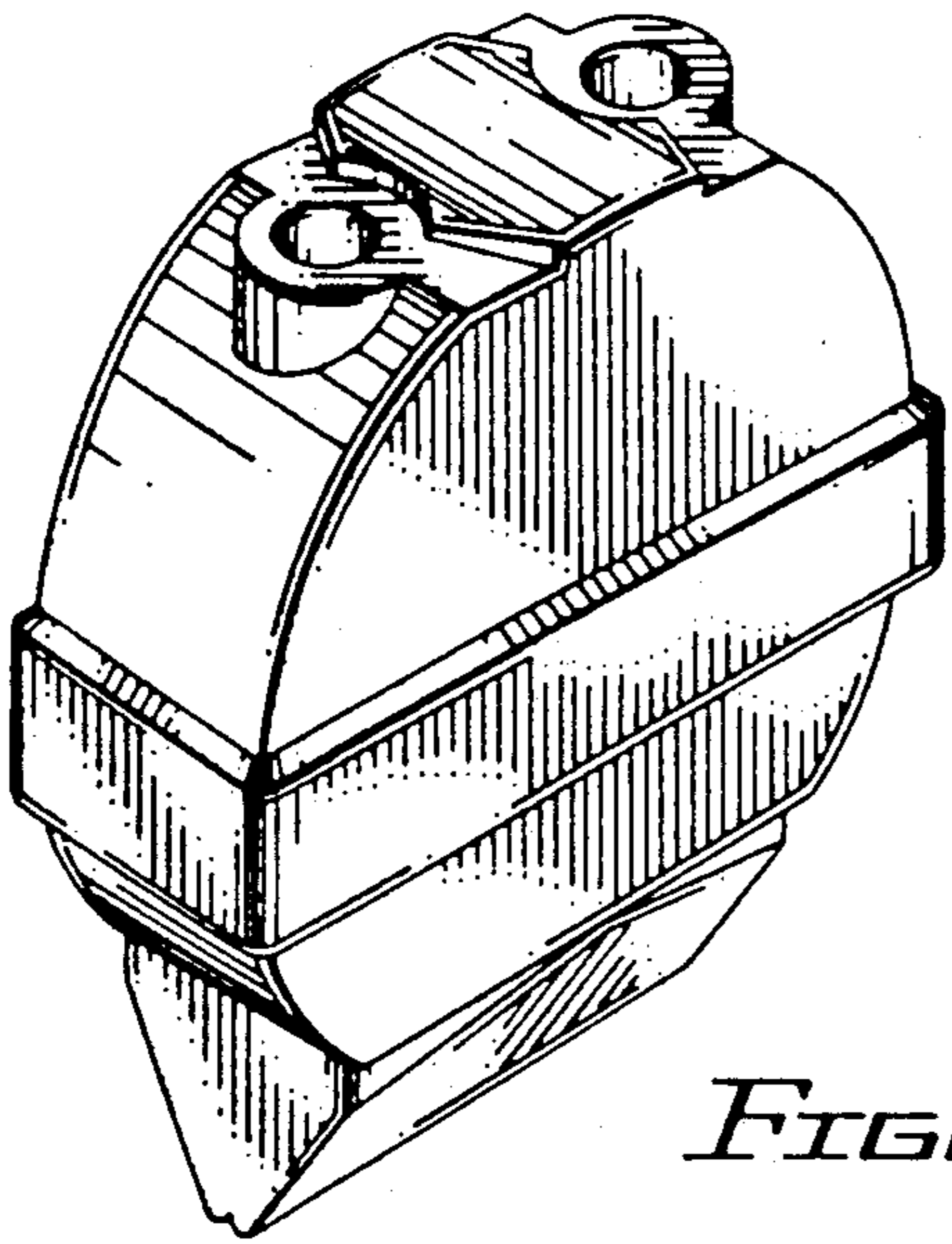


FIG. 1

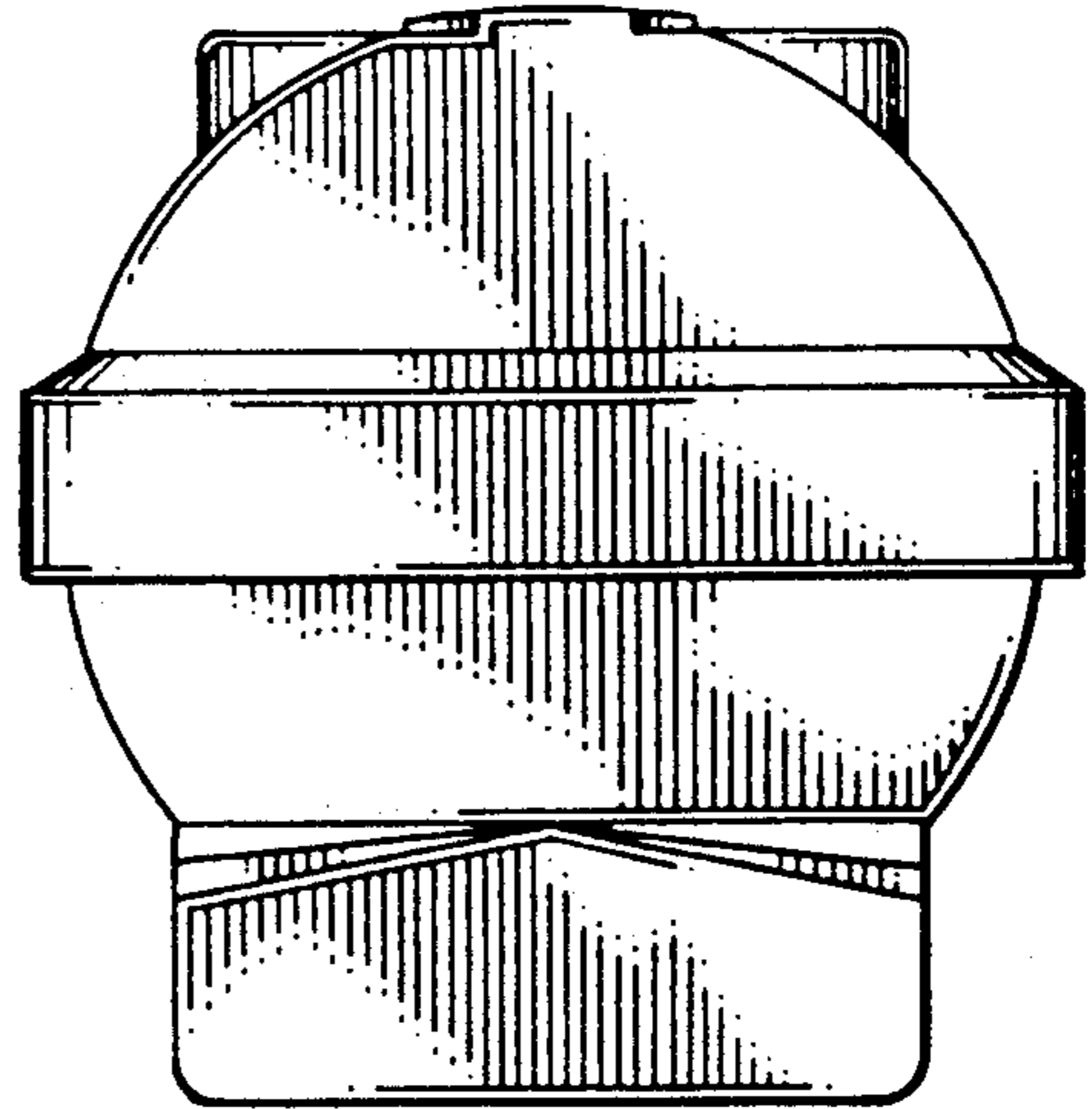


FIG. 2

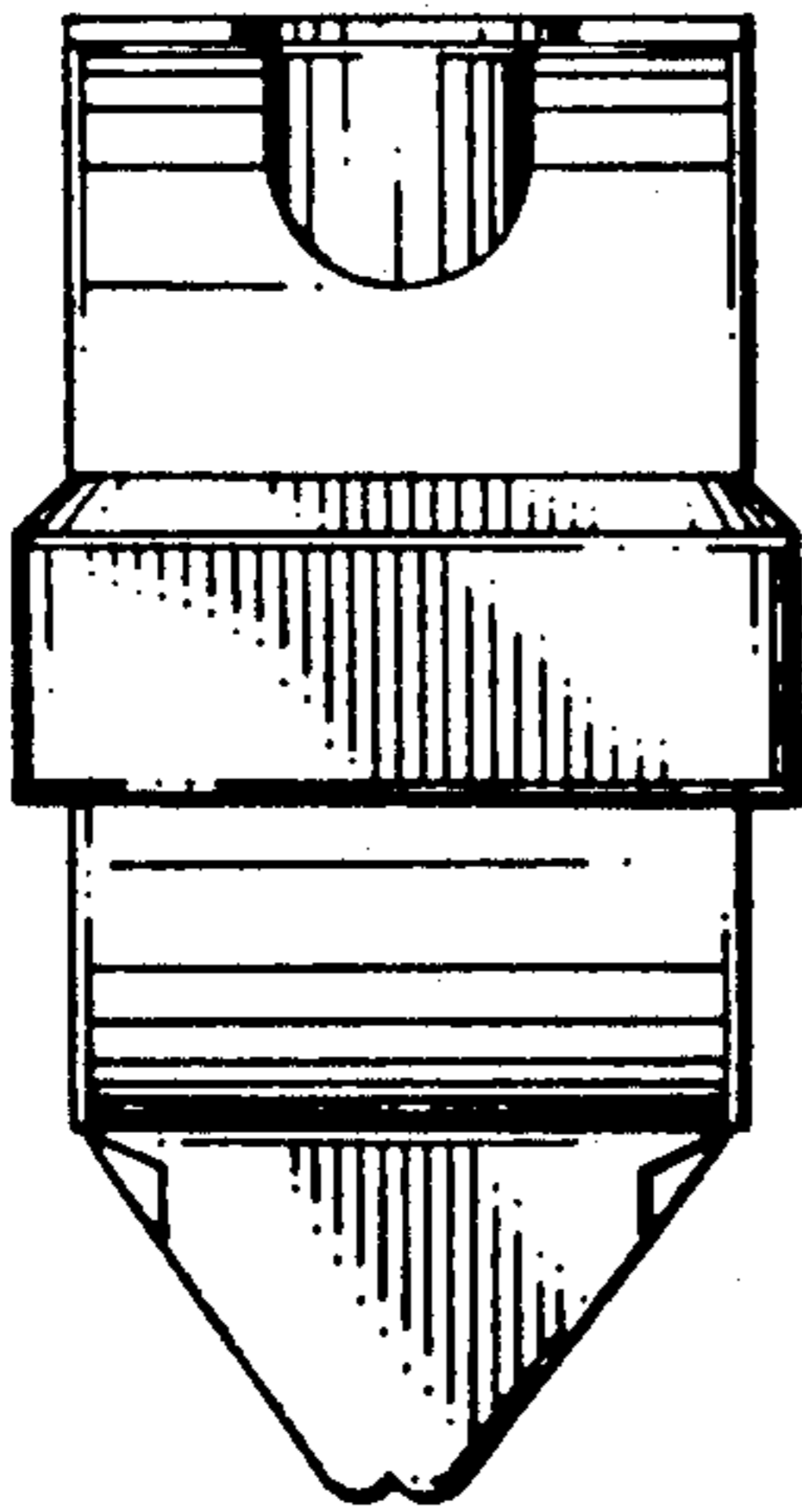


FIG. 3

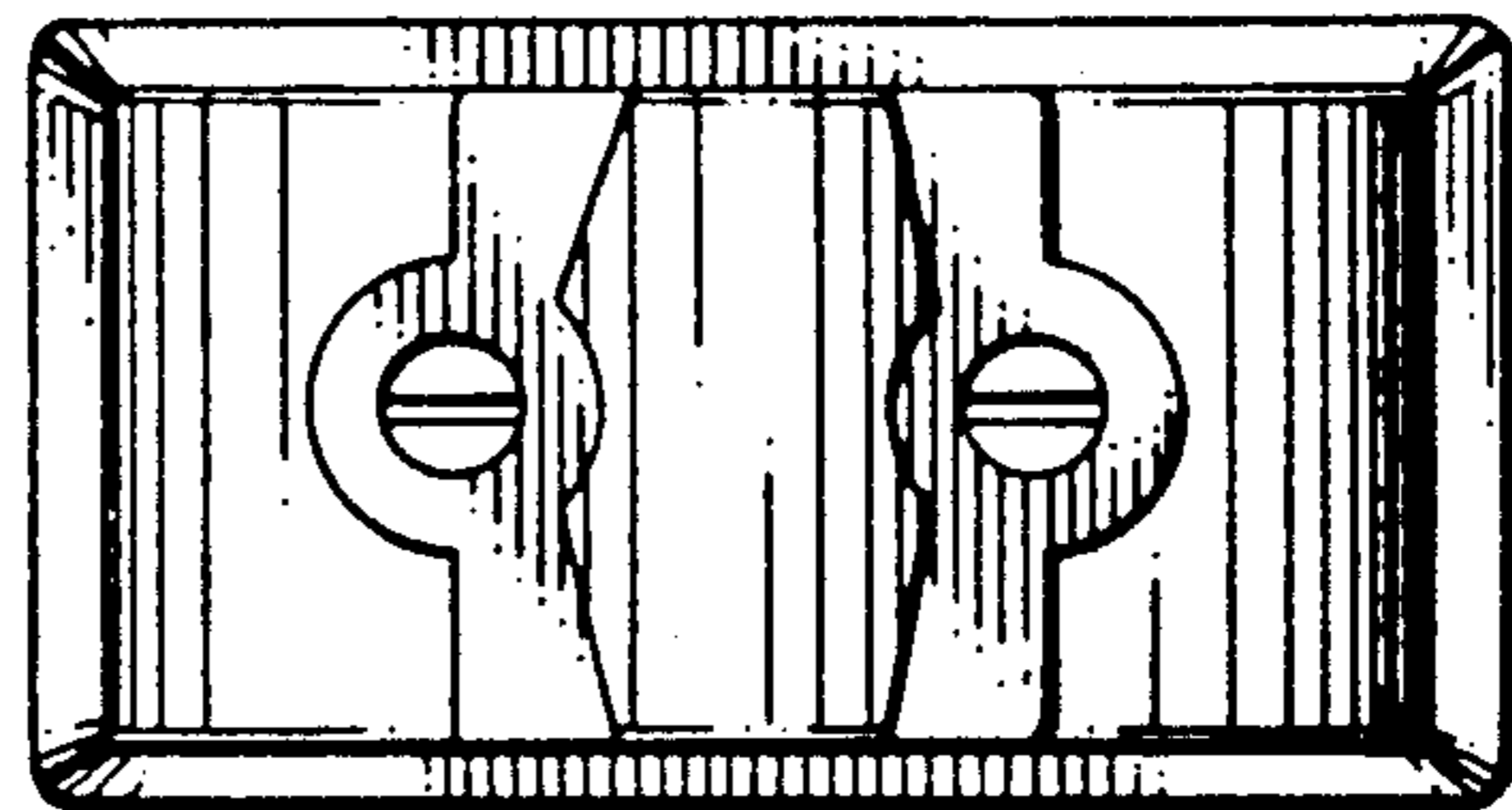


FIG. 4

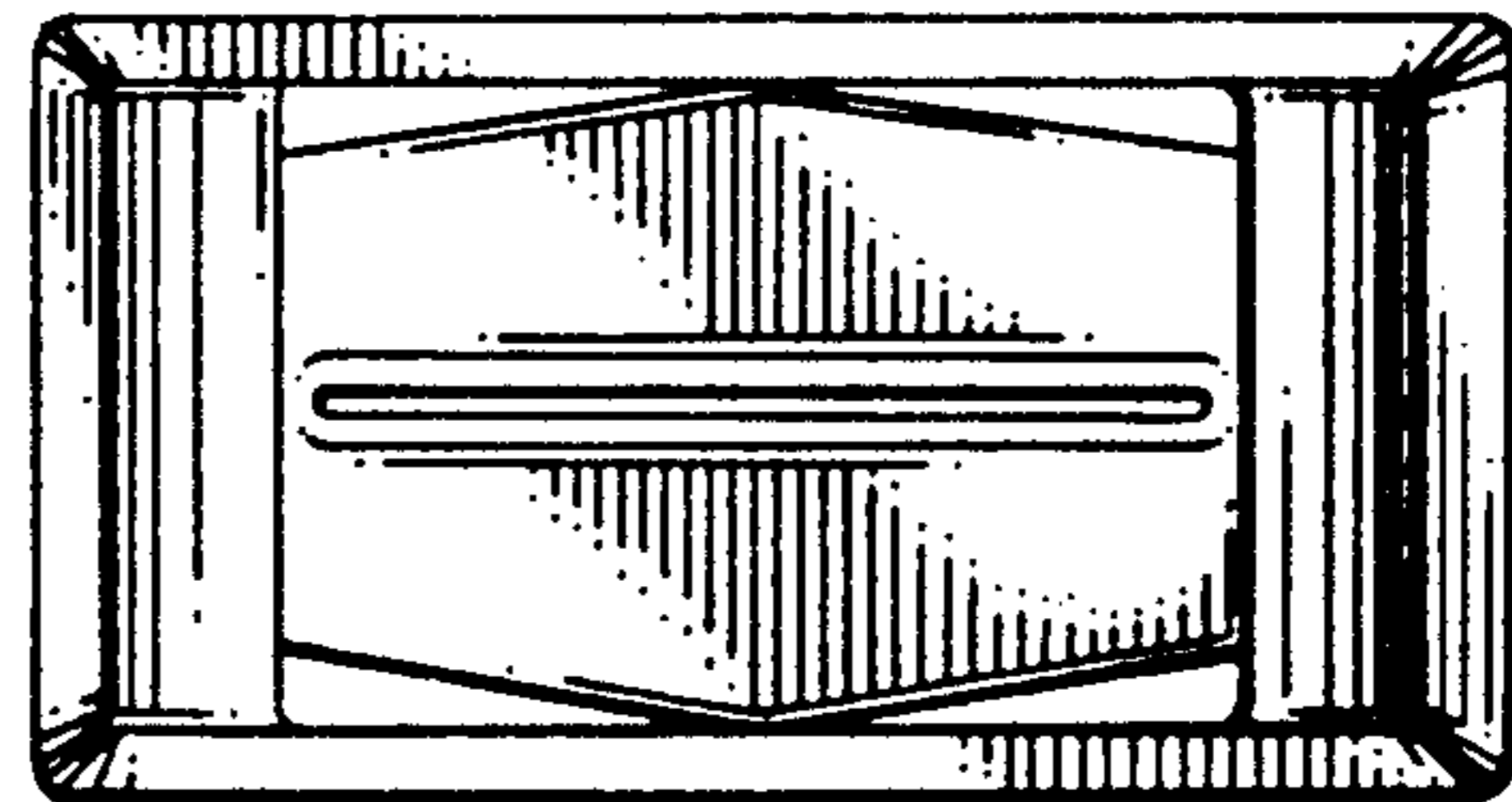


FIG. 5