



US00D326045S

United States Patent [19]

[11] Patent Number: **Des. 326,045**

Barrett

[45] Date of Patent: **** May 12, 1992**

[54] **VEHICLE IGNITION PROTECTIVE COVER**

4,631,938	12/1986	Johnson	70/158 X
4,791,795	12/1988	Burgess et al.	70/247 X
4,838,059	6/1989	Johnson	70/209

[76] Inventor: **Joseph S. Barrett**, 15011 NE. 11th Ave., North Miami, Fla. 33161

Primary Examiner—Brian N. Vinson
Attorney, Agent, or Firm—Malin, Haley, McHale, DiMaggio & Crosby

[**] Term: **14 Years**

[21] Appl. No.: **480,039**

[57] **CLAIM**

[22] Filed: **Feb. 14, 1990**

The ornamental design for a vehicle ignition protective cover, as shown and described.

[52] U.S. Cl. **D8/346**

[58] Field of Search **D8/330-346;**
70/237, 252, 255, 245-246, 174, 229, 158, 163

DESCRIPTION

[56] **References Cited**

FIG. 1 is a top, front and left side perspective view of a vehicle ignition protective cover showing my new design;

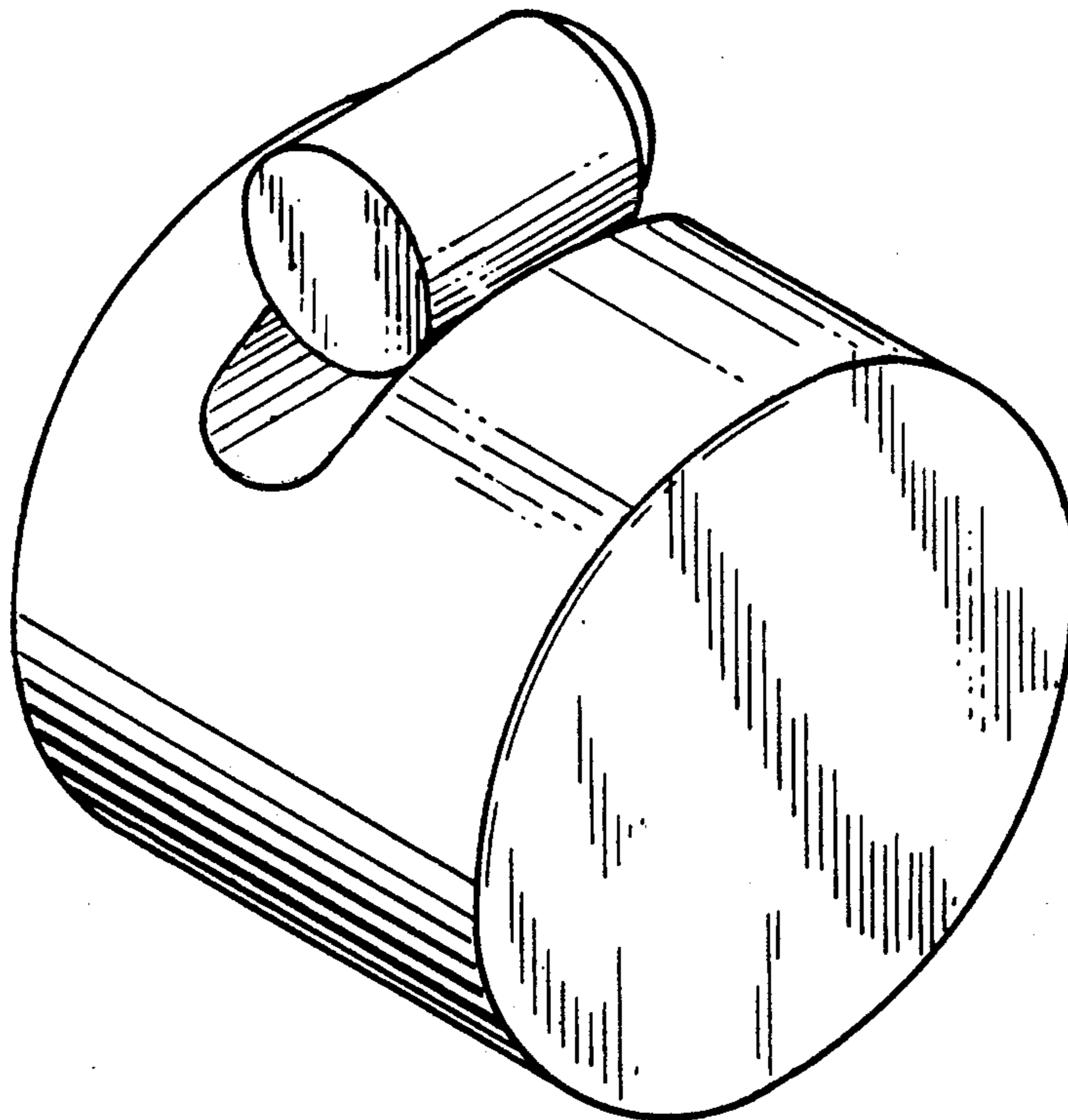
U.S. PATENT DOCUMENTS

D. 316,486	4/1991	Schadner et al.	D8/331
3,739,608	6/1973	Young	70/209
4,345,448	8/1982	Solomon	70/95

FIG. 2 is a right side elevational view thereof;

FIG. 3 is a rear elevational view thereof; and,

FIG. 4 is a front elevational view thereof.



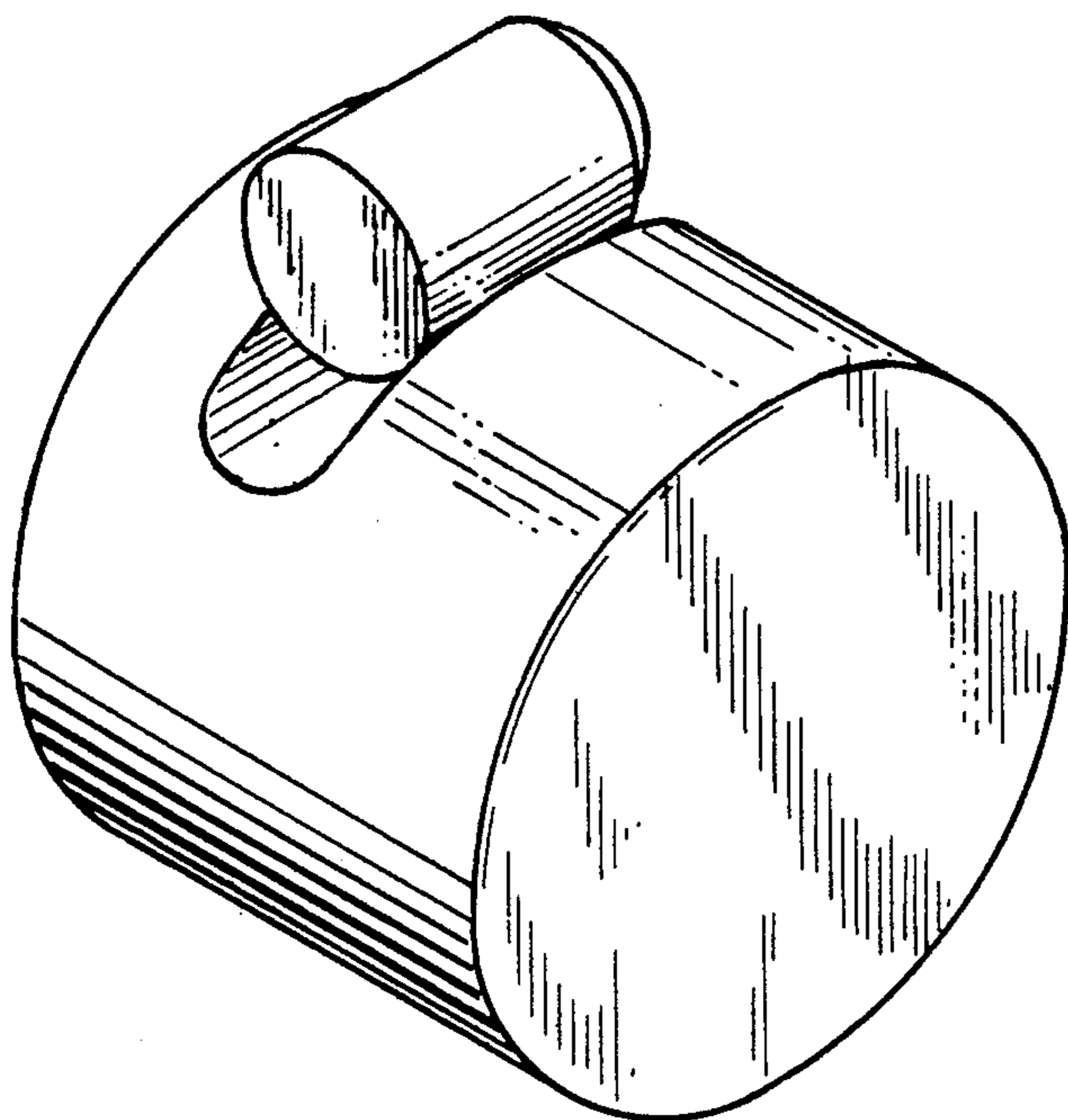


FIG. 1.

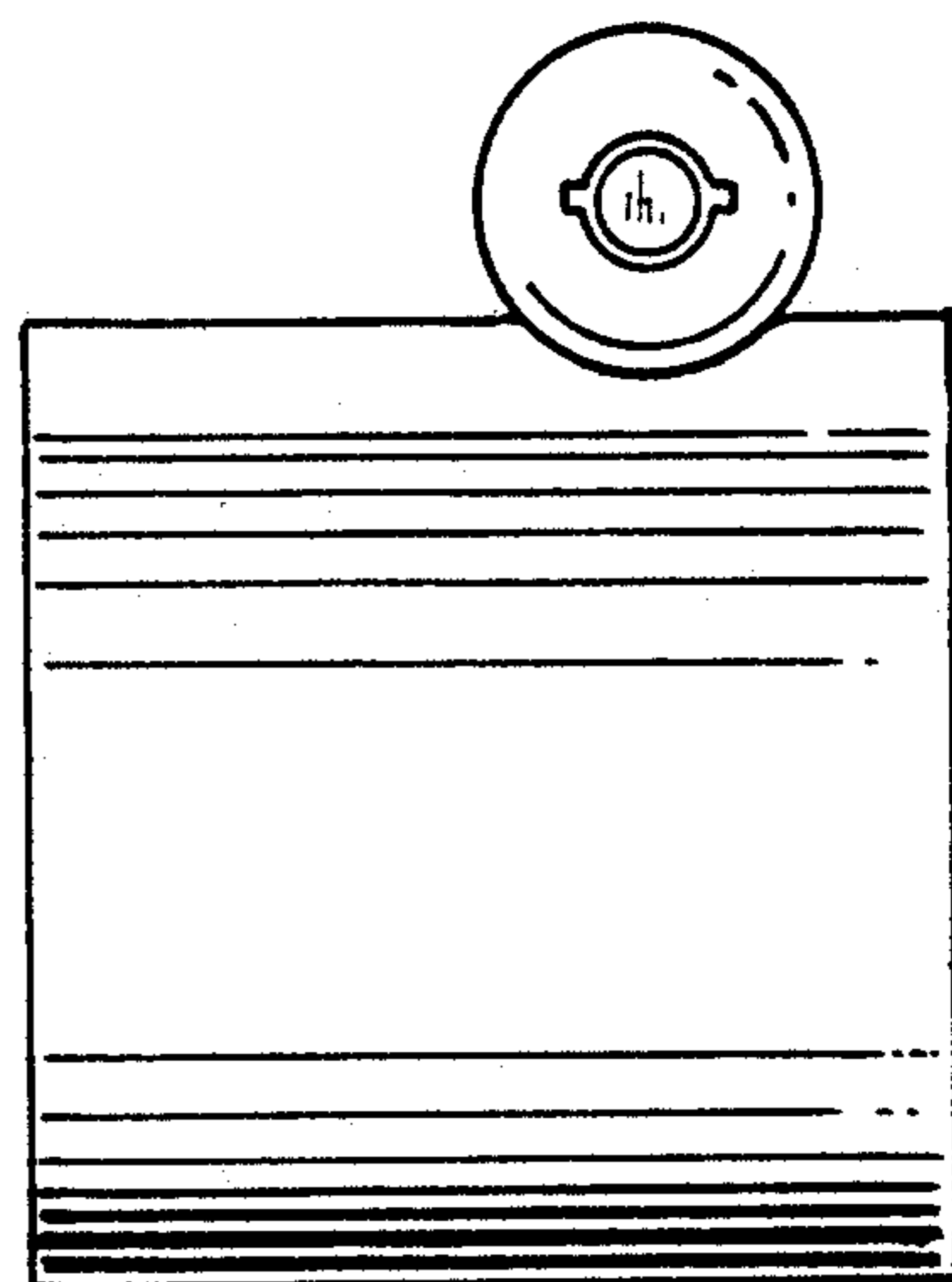


FIG. 2.

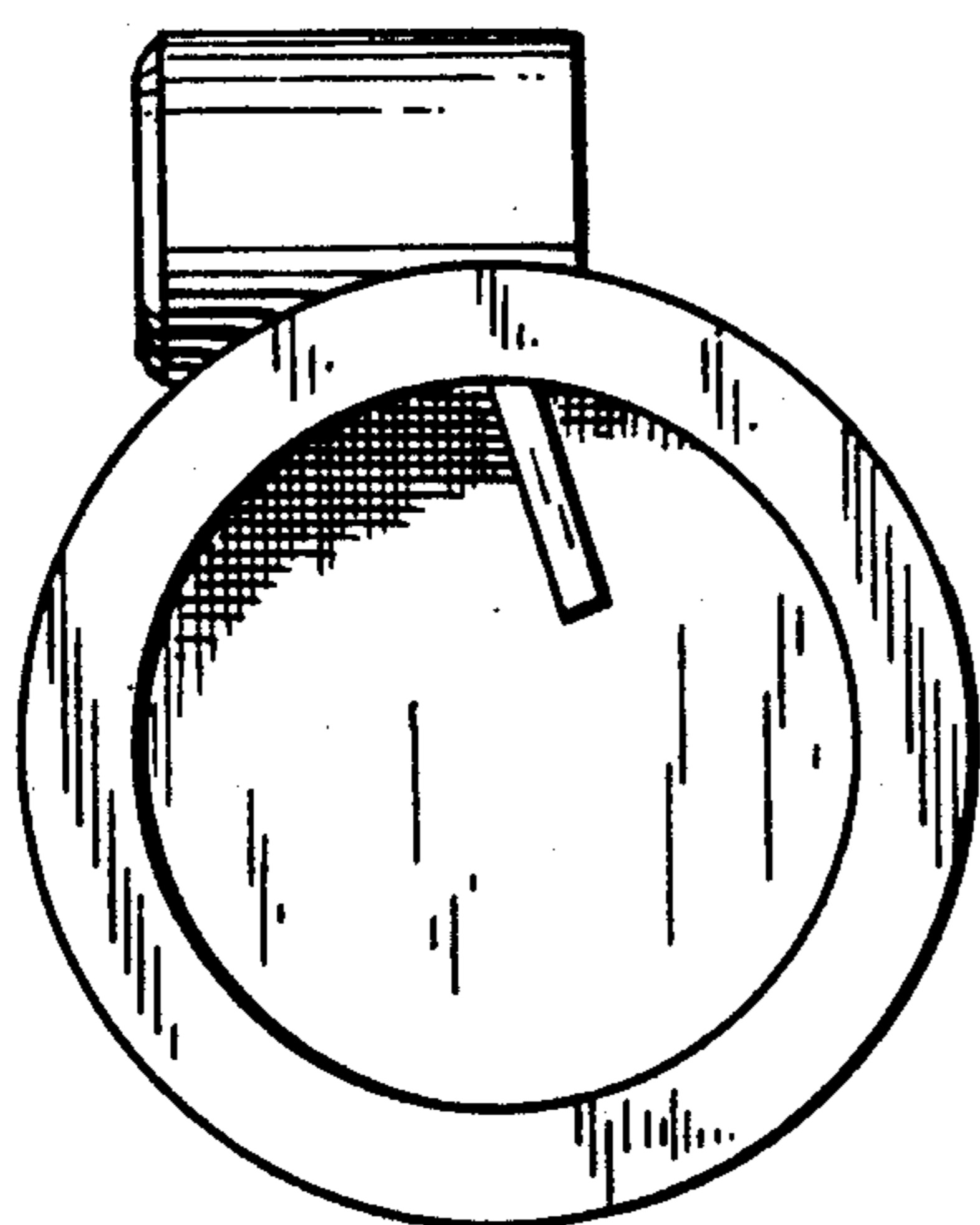


FIG. 3.

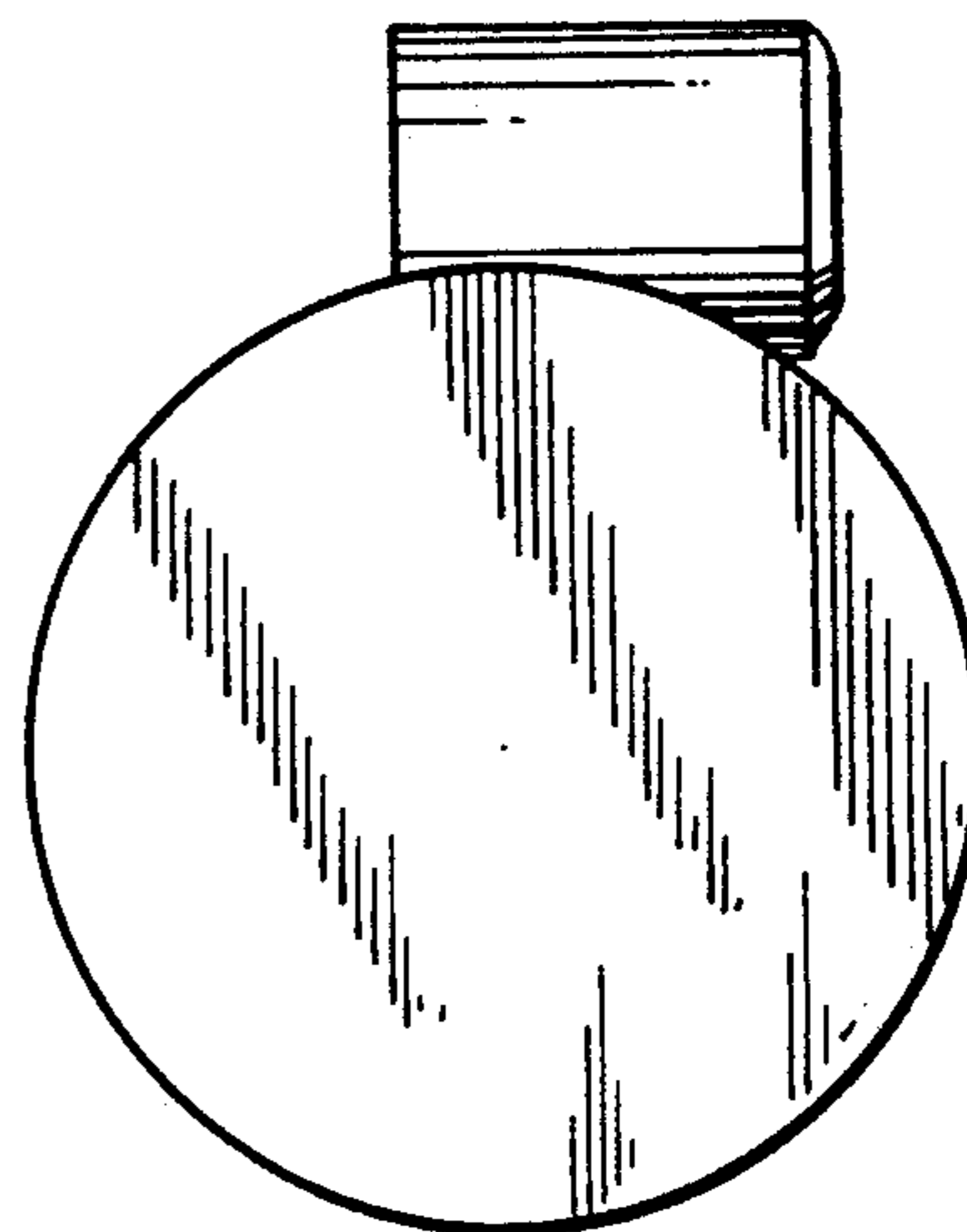


FIG. 4.