



US00D326042S

United States Patent [19]

[11] Patent Number: Des. 326,042

Kriaski et al.

[45] Date of Patent: ** May 12, 1992

[54] ORBITAL SANDER

4,744,177 5/1988 Braun .
4,854,085 8/1989 Huber .

[75] Inventors: John R. Kriaski; Donald R. Bosten;
James P. Nichols, Jr., all of Jackson,
Tenn.

OTHER PUBLICATIONS

Ser. No. 07/531,039 filed Aug. 16, 1989, Kriaski et al.,
(Pending).

[73] Assignee: Porter-Cable Corporation, Jackson,
Tenn.

Rotex—Sander and Polisher.
Kress—Sander and Polisher (German).

[**] Term: 14 Years

Fein—Random Orbit Sander.

[21] Appl. No.: 394,438

Flex—Sanding and Polishing Machine (German).

[22] Filed: Aug. 16, 1989

Primary Examiner—Donald P. Walsh

Assistant Examiner—J. H. Musgrove

[52] U.S. Cl. D8/62

[58] Field of Search D8/62; 51/170 R, 170 T,
51/170 TL, 170 PL, 170 MT, 170 EB; 81/54,
57.11, 57.14

[57] CLAIM

The ornamental design for an orbital sander, as shown.

[56] References Cited

DESCRIPTION

U.S. PATENT DOCUMENTS

D. 112.728	12/1938	Weingartner	D8/62
D. 255.417	6/1980	Sakamoto	D8/62
D. 295.824	5/1988	Hoshino et al.	D8/62
D. 301.830	6/1989	Ogawa et al.	D8/62
D. 305.399	1/1990	Fushiya et al.	D8/62
3,496,680	2/1970	Hutchins	
4,671,019	6/1987	Hutchins	

FIG. 1 is a top front right-side perspective view of an orbital sander showing our new design with the handle separated for ease of illustration;

FIG. 2 is a top plan view;

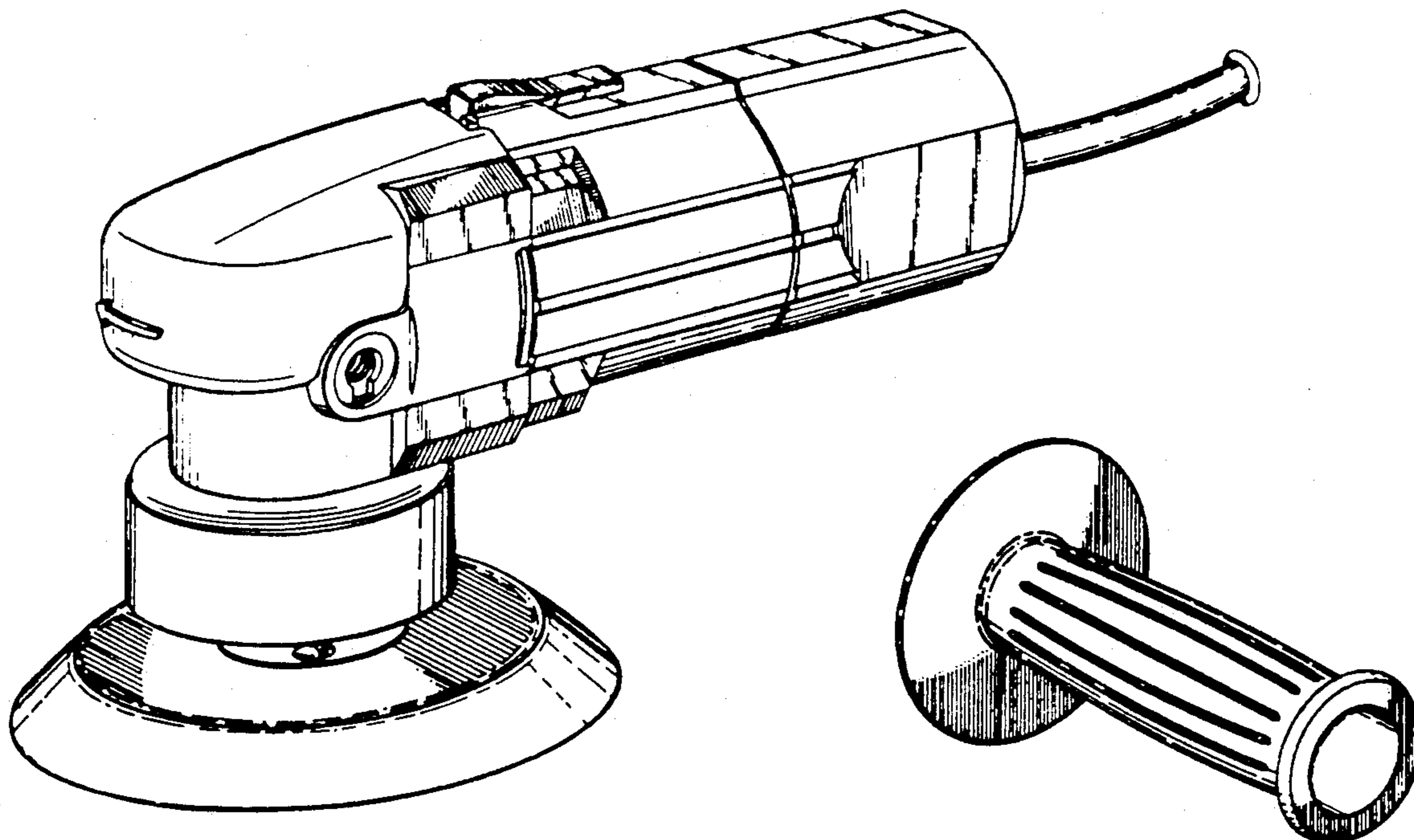
FIG. 3 is a bottom plan view;

FIG. 4 is a left elevational view;

FIG. 5 is a right elevational view thereof;

FIG. 6 is a front elevational view; and,

FIG. 7 is a rear elevational view thereof.



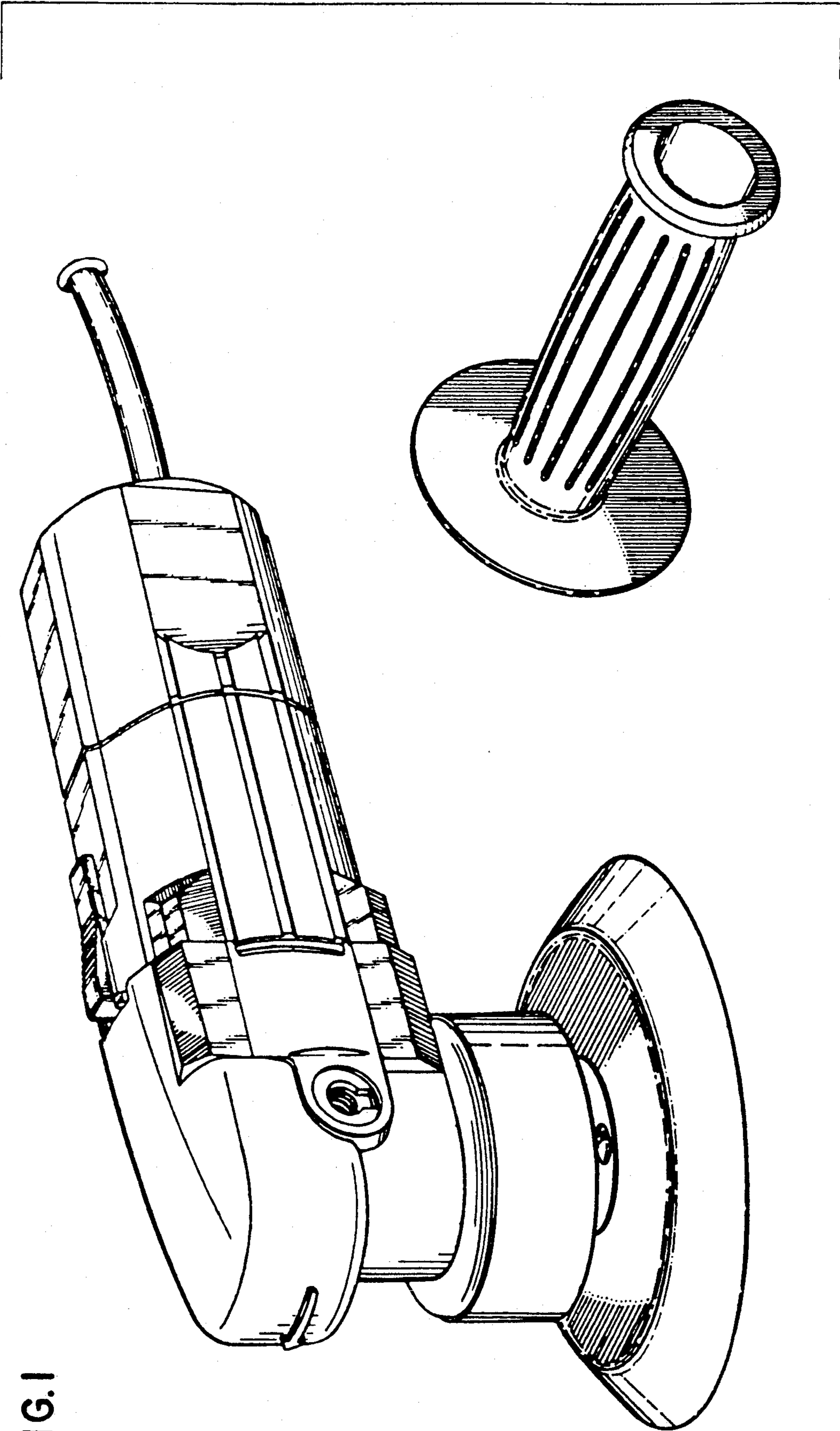


FIG. 1

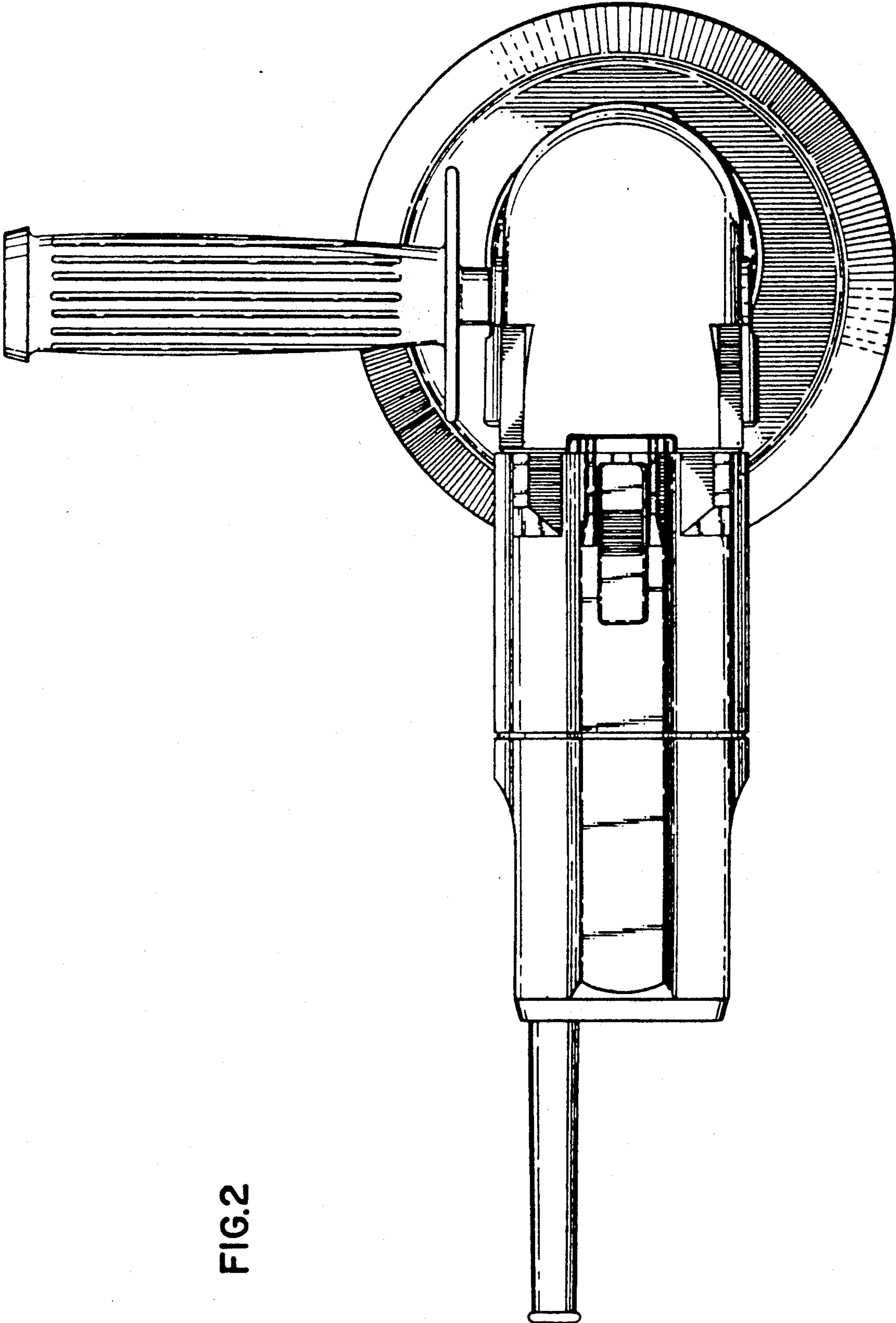


FIG.2

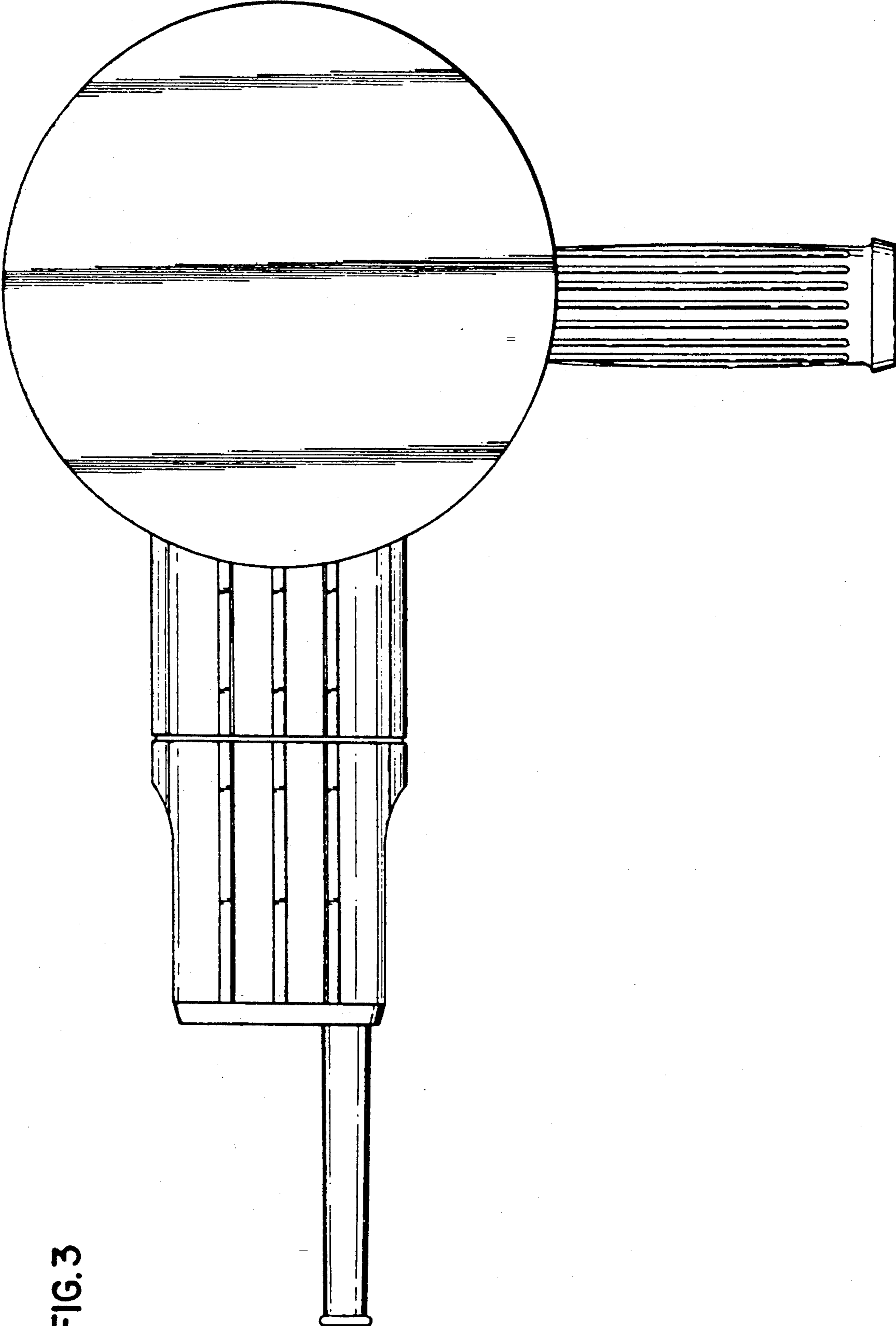


FIG. 3

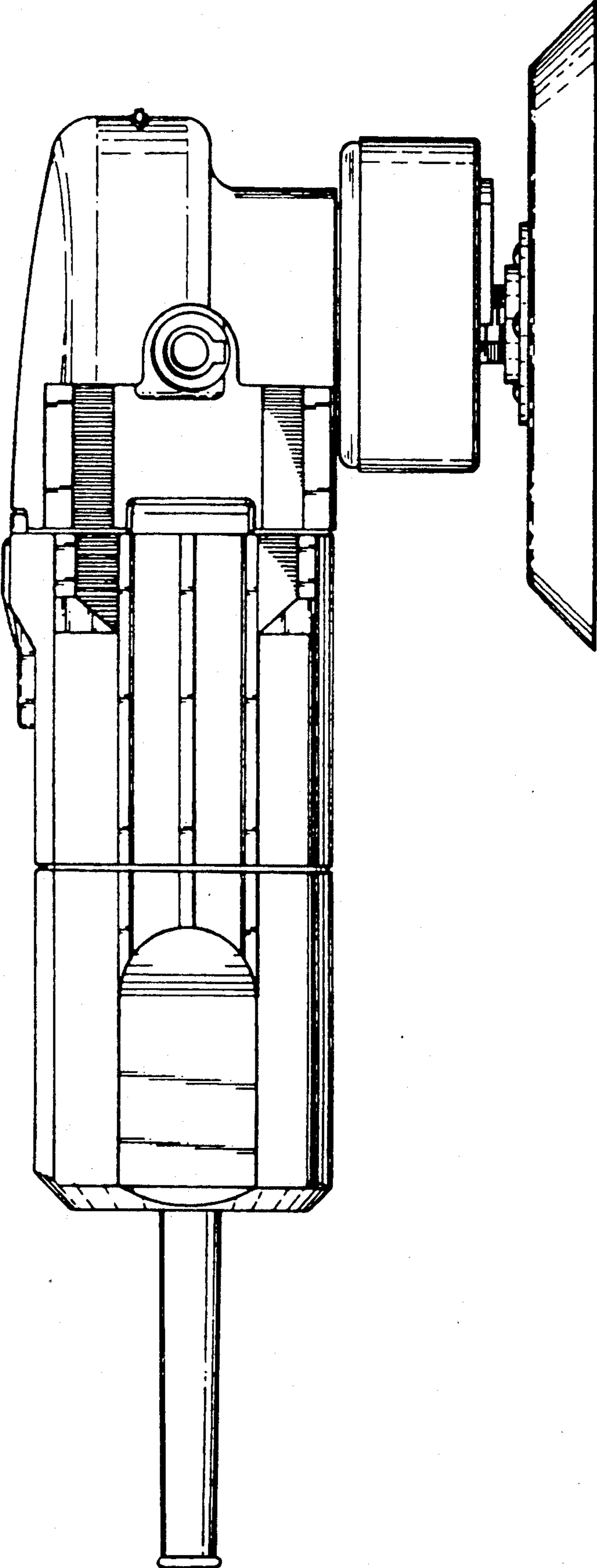


FIG. 4

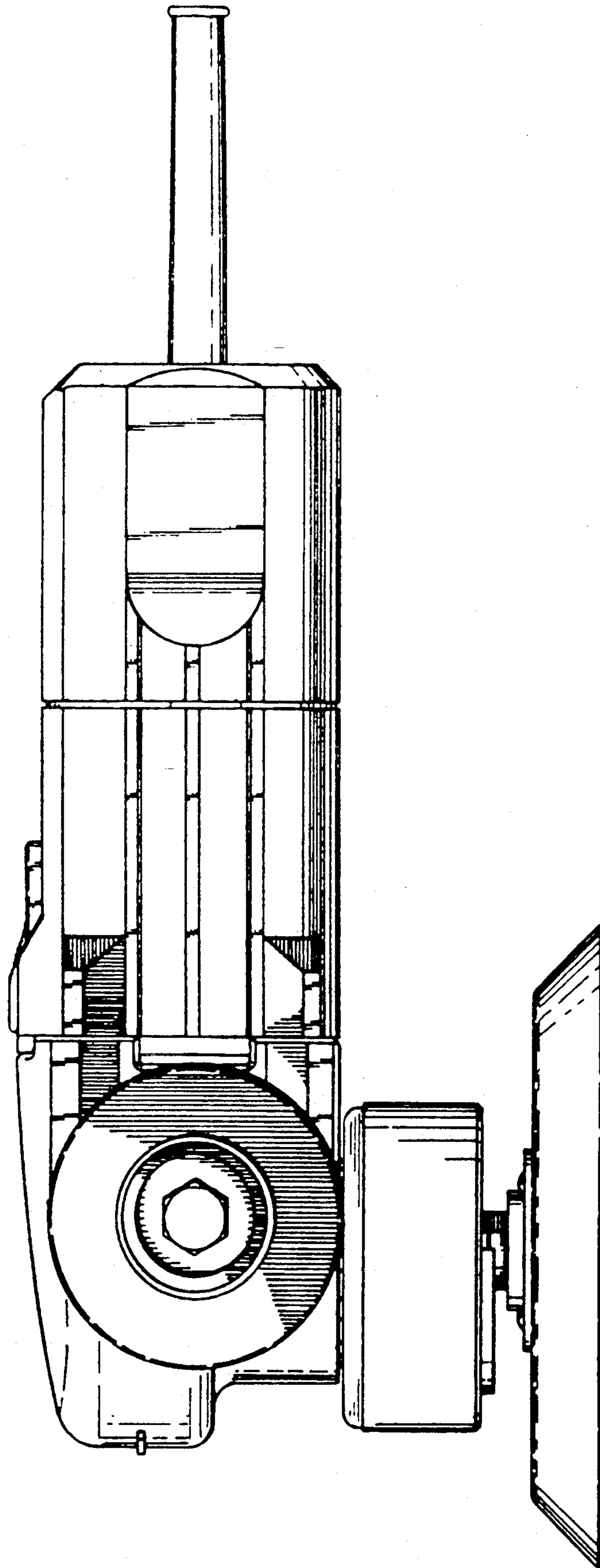


FIG.5

FIG.6

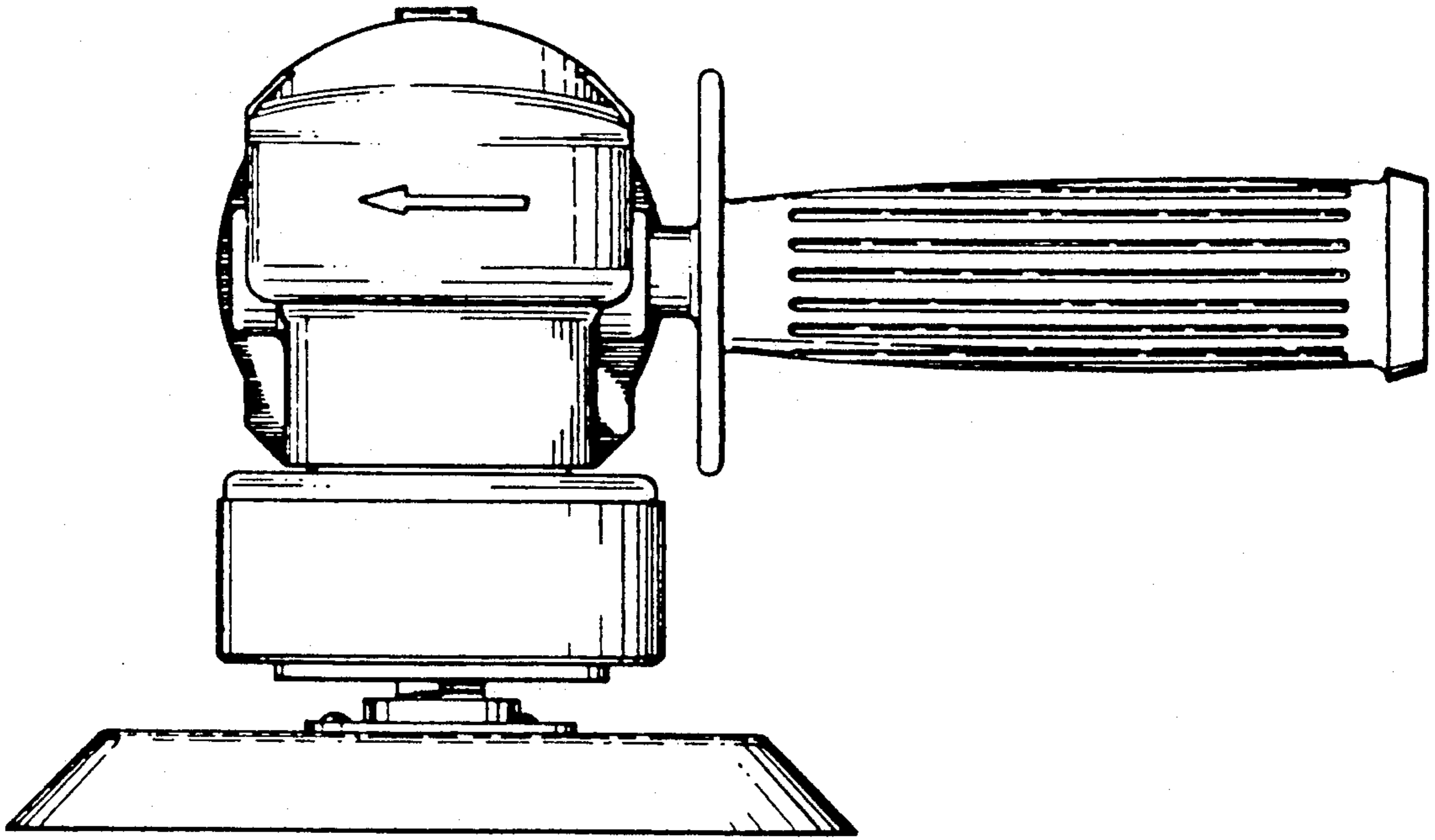


FIG.7

