



US00D326034S

United States Patent [19]

[11] Patent Number: **Des. 326,034**

Kluesner

[45] Date of Patent: **** May 12, 1992**

[54] SPATULA

[76] Inventor: **Joseph M. Kluesner**, 1750 New Madrid, Cape Girardeau, Mo. 63701

[**] Term: **14 Years**

[21] Appl. No.: **470,545**

[22] Filed: **Jan. 26, 1990**

[52] U.S. Cl. **D7/688; D7/692**

[58] Field of Search **D7/393, 647, 688, 691-692; 30/123, 136, 169, 324; 294/1.1, 7, 8, 51, 55**

[56] **References Cited**

U.S. PATENT DOCUMENTS

D. 54,303	12/1919	Berger	D7/691 X
D. 120,610	5/1940	Berge	D7/691
D. 303,747	10/1989	Wenkman	D7/691
2,563,255	8/1951	Loomis	294/7

Primary Examiner—Terry A. Pfeffer
Attorney, Agent, or Firm—Zarley, McKee, Thomte, Voorhees & Sease

[57] **CLAIM**

The ornamental design for a spatula, as shown.

DESCRIPTION

FIG. 1 is a perspective view of a spatula showing my new design;

FIG. 2 is a top plan view thereof;

FIG. 3 is a bottom plan view thereof;

FIG. 4 is a side elevational view thereof;

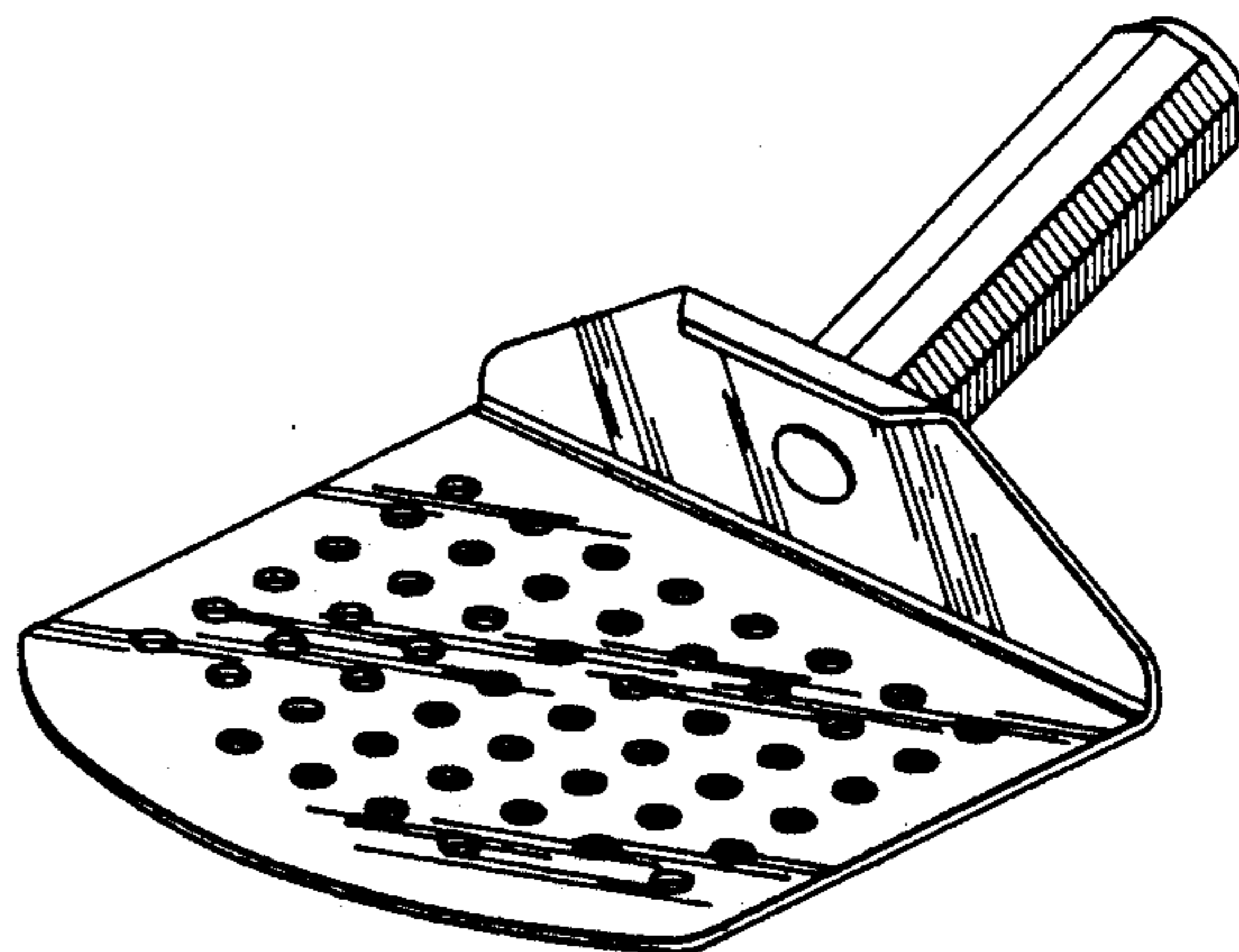
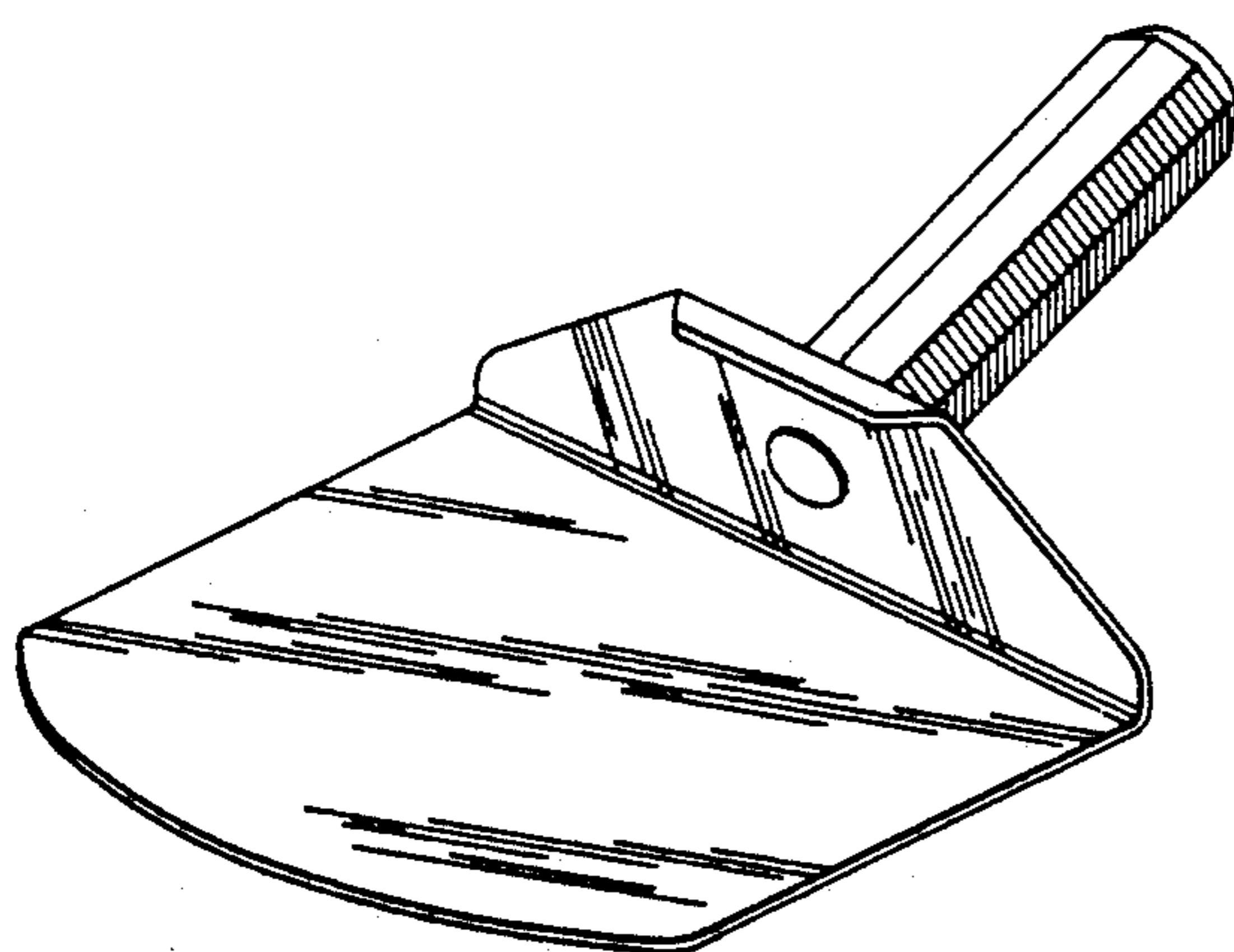
FIG. 5 is a rear elevational view thereof;

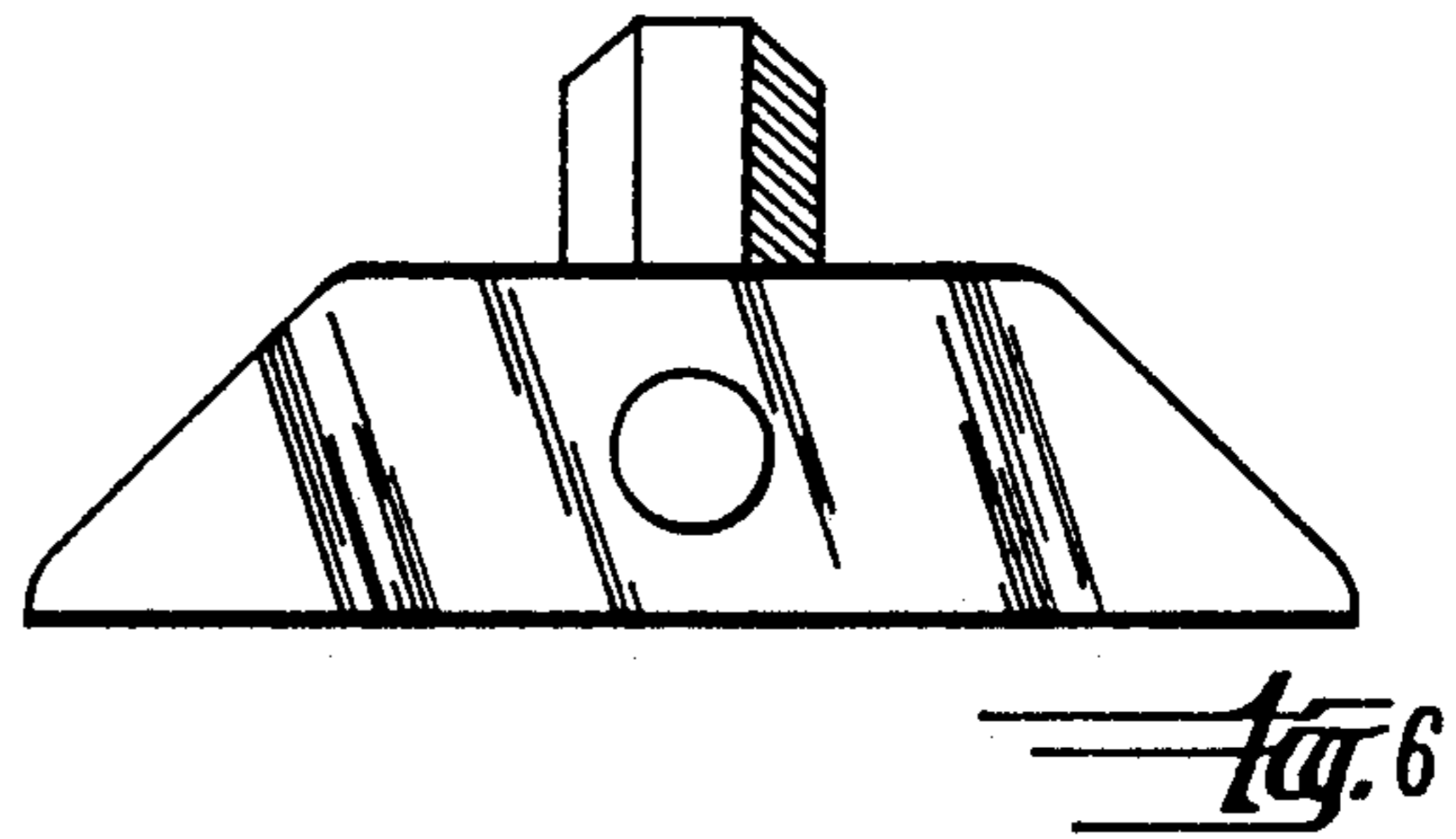
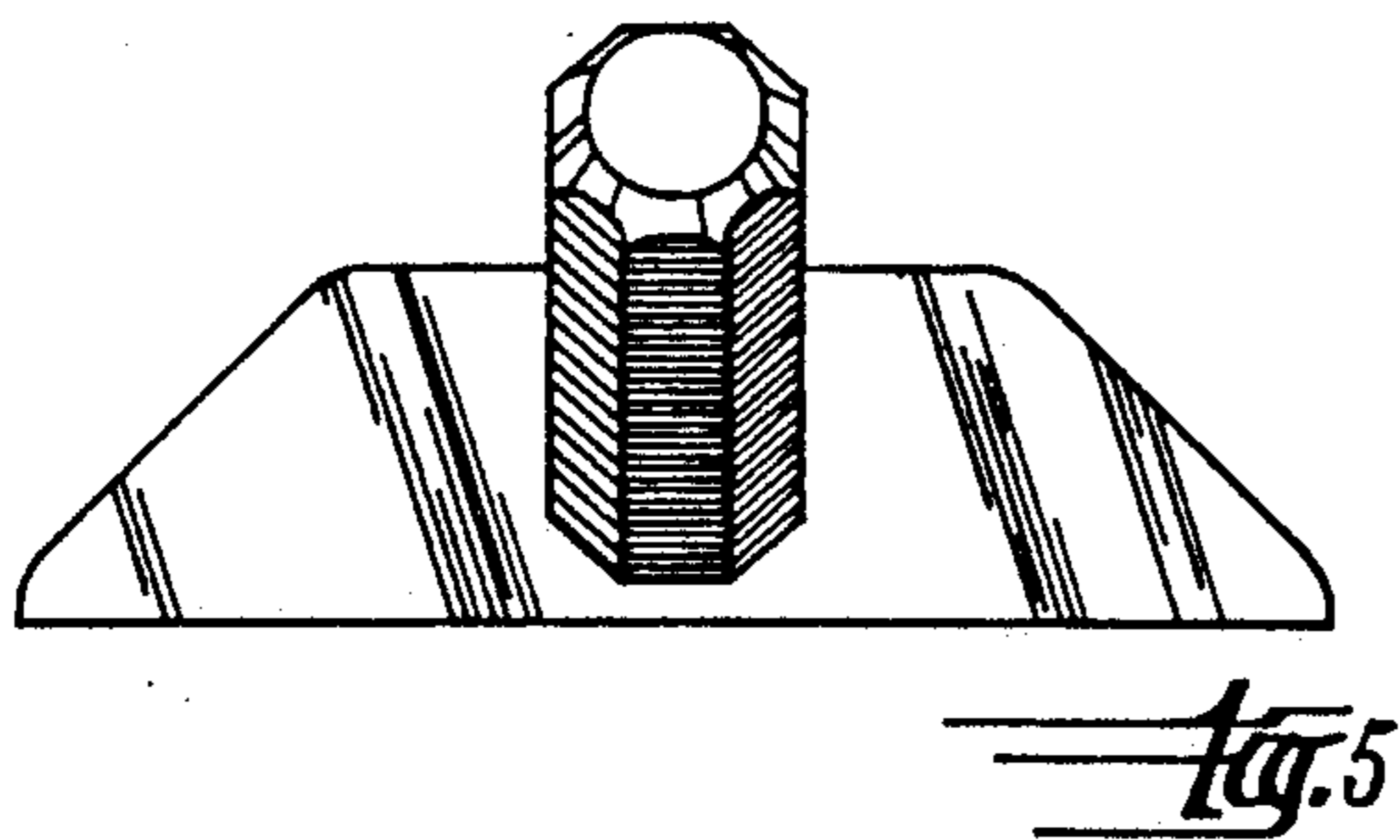
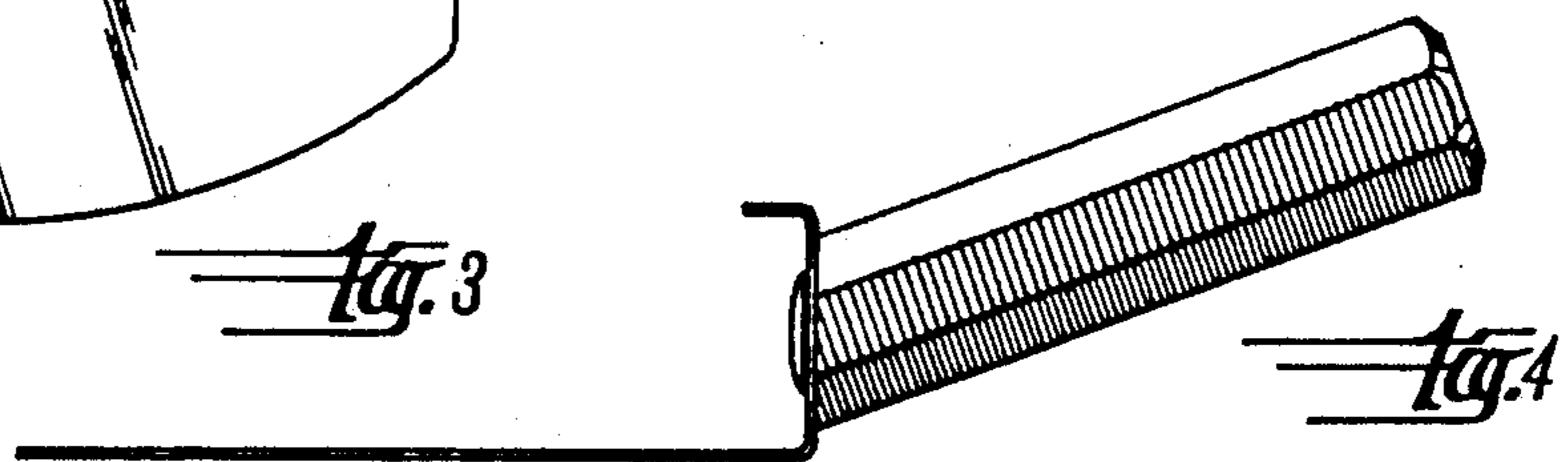
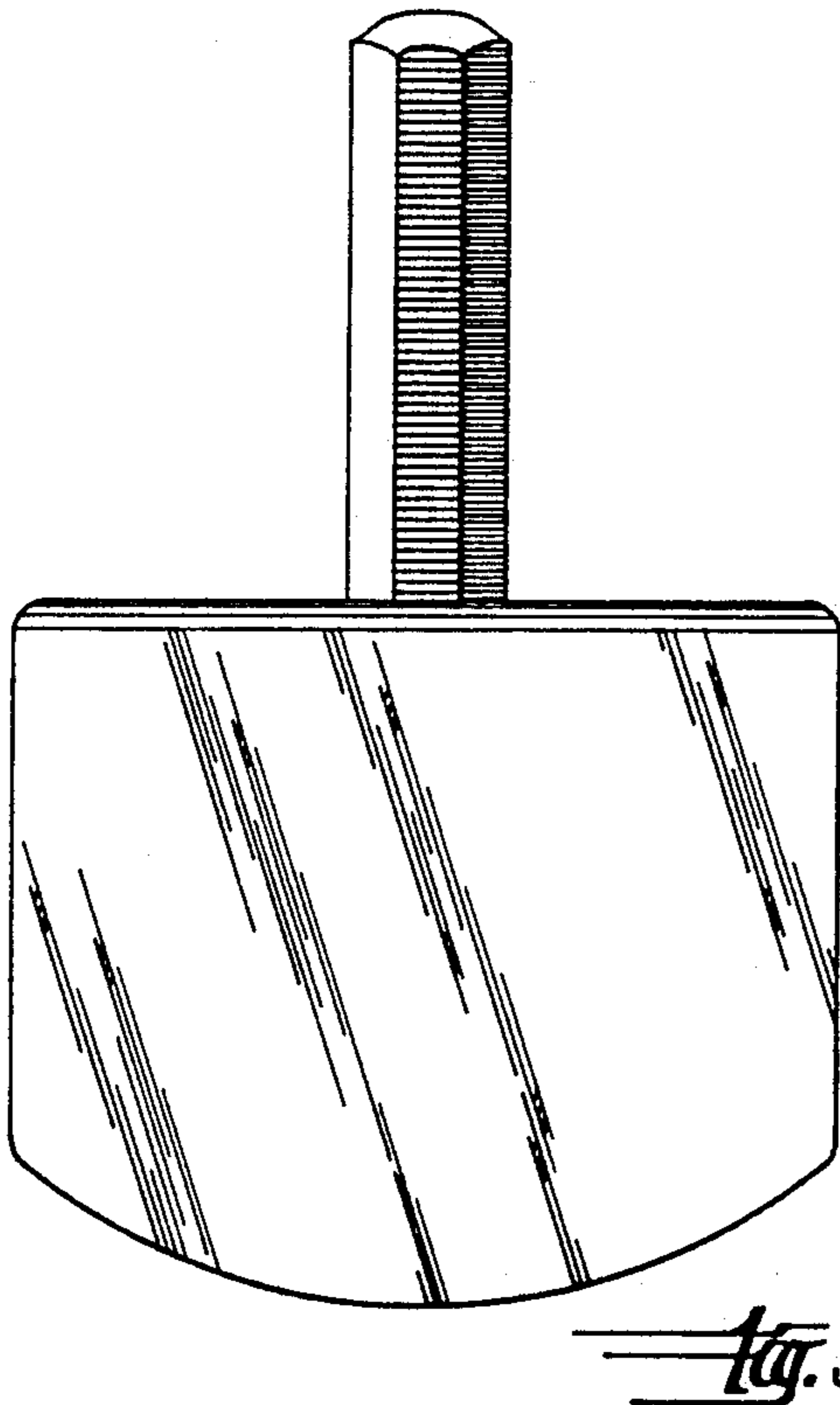
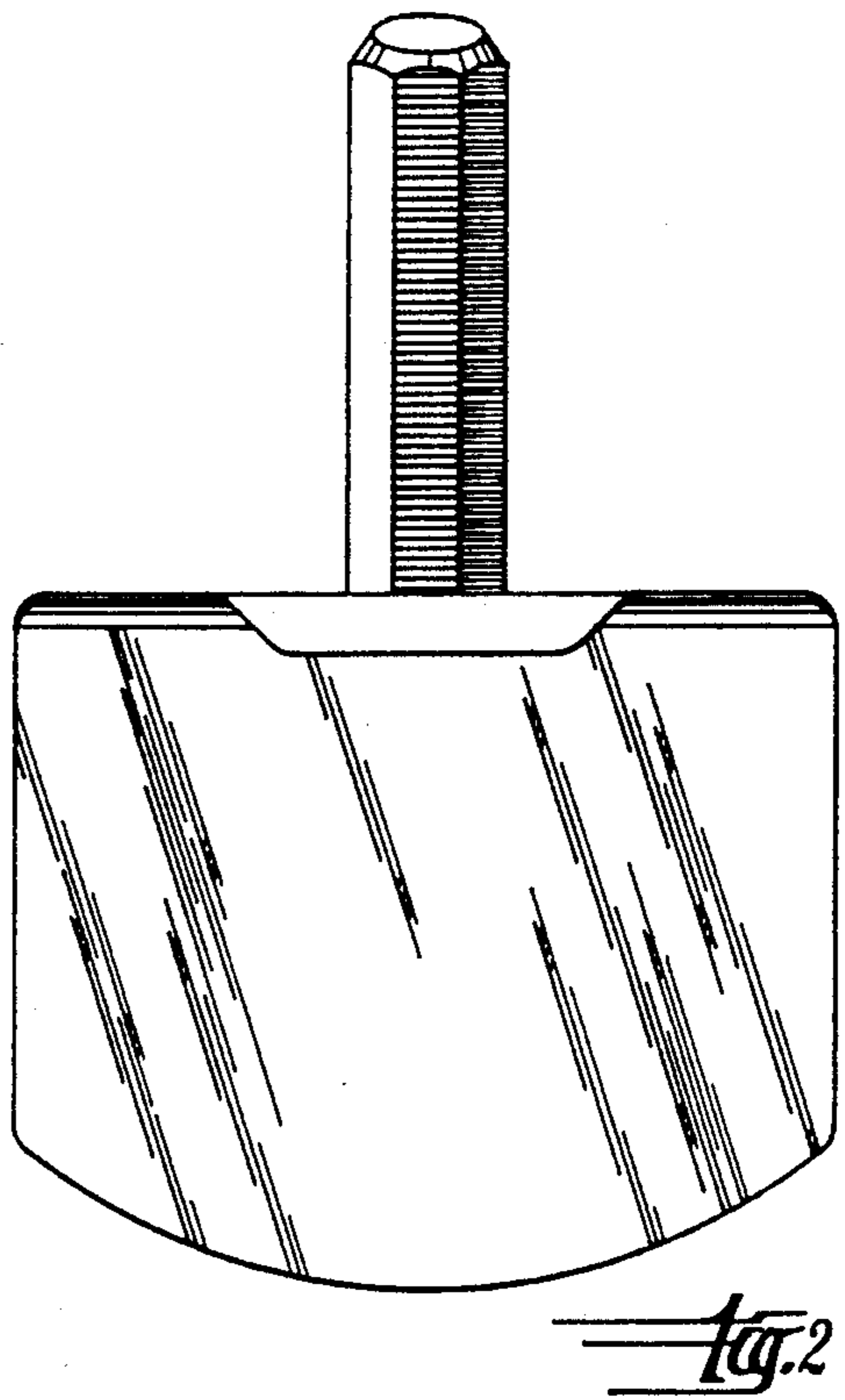
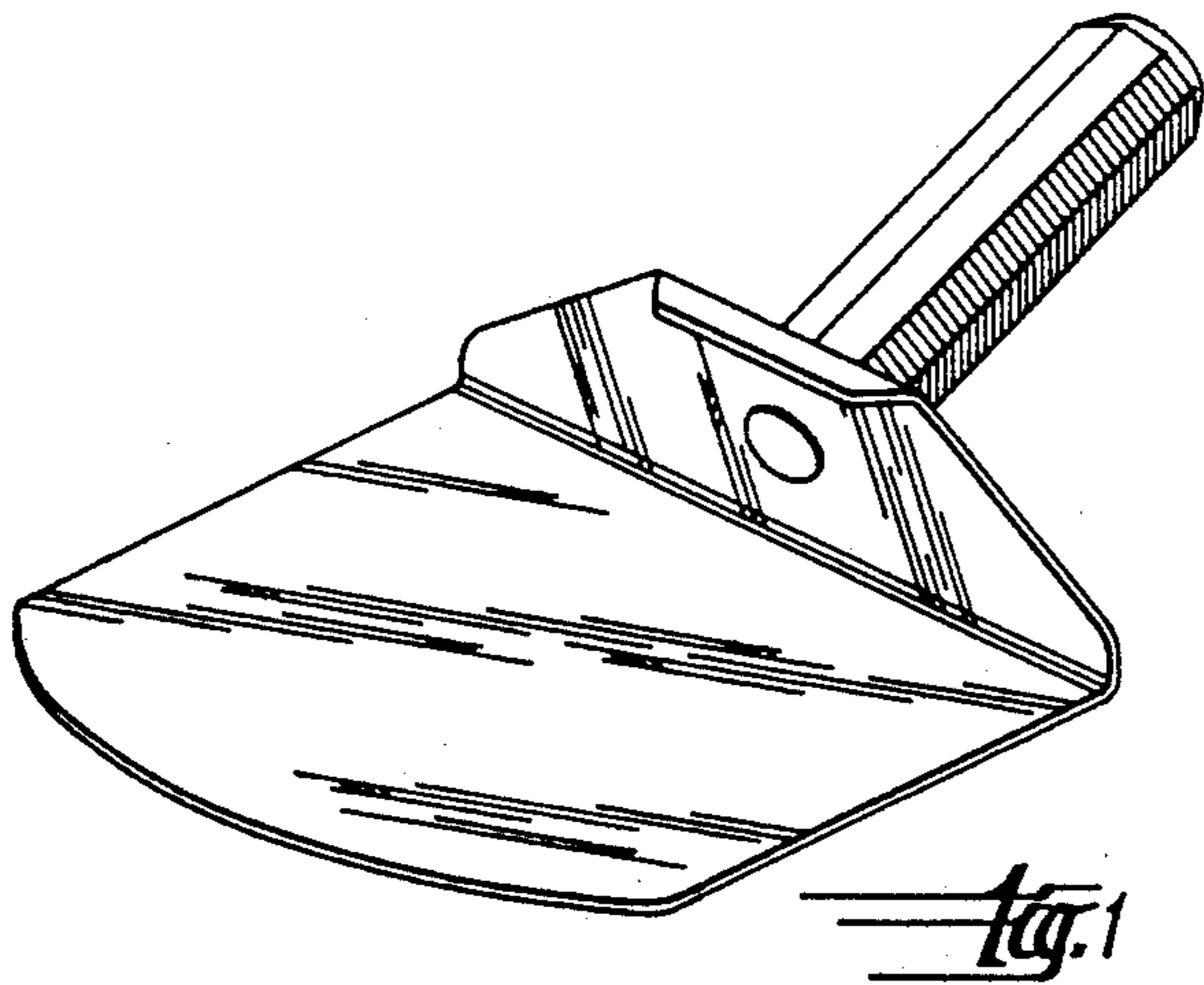
FIG. 6 is a front elevational view thereof;

FIG. 7 is a perspective view of an alternate embodiment of FIG. 1;

FIG. 8 is a top plan view of FIG. 7; and,

FIG. 9 is a bottom plan view of FIG. 7.





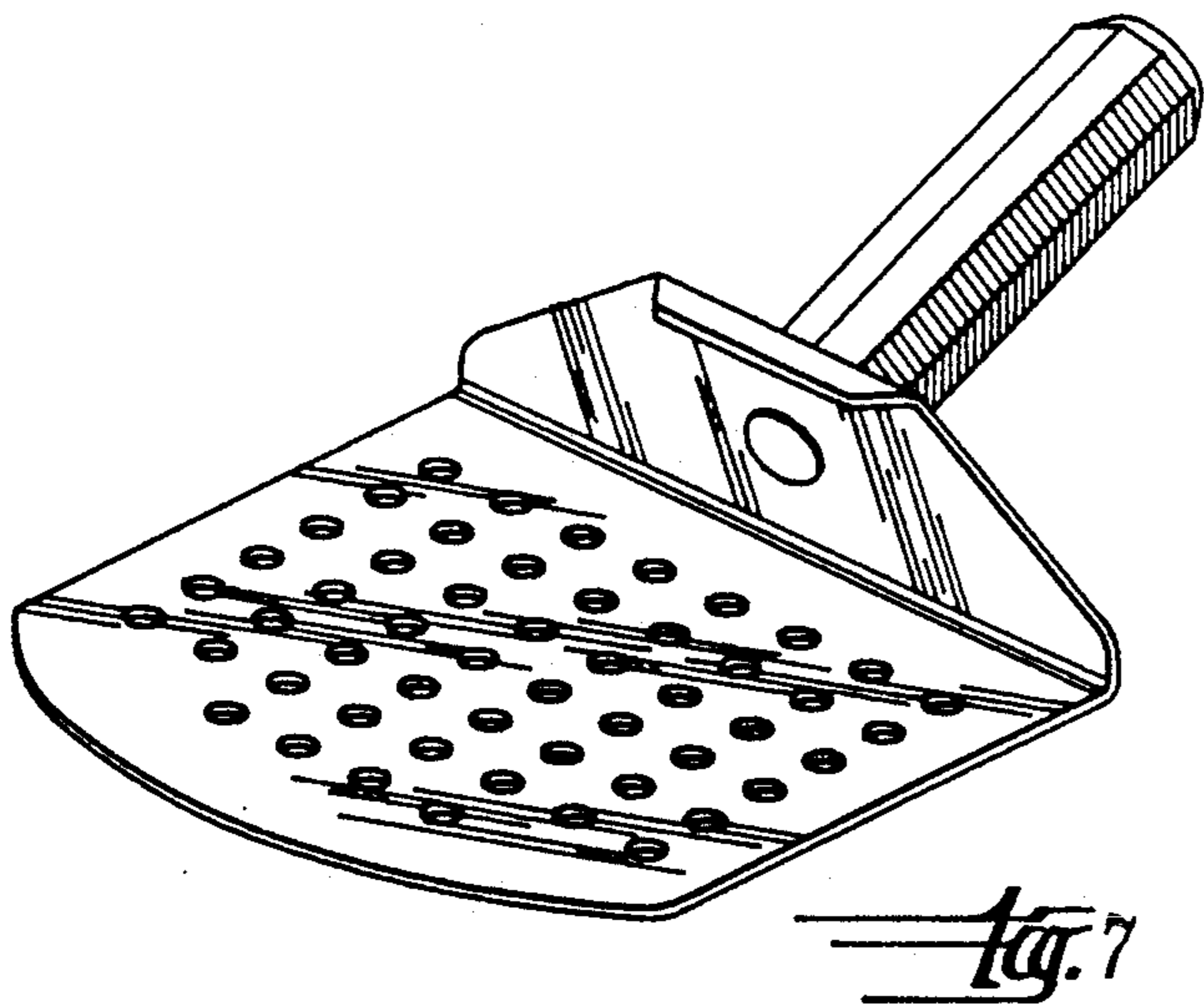


Fig. 7

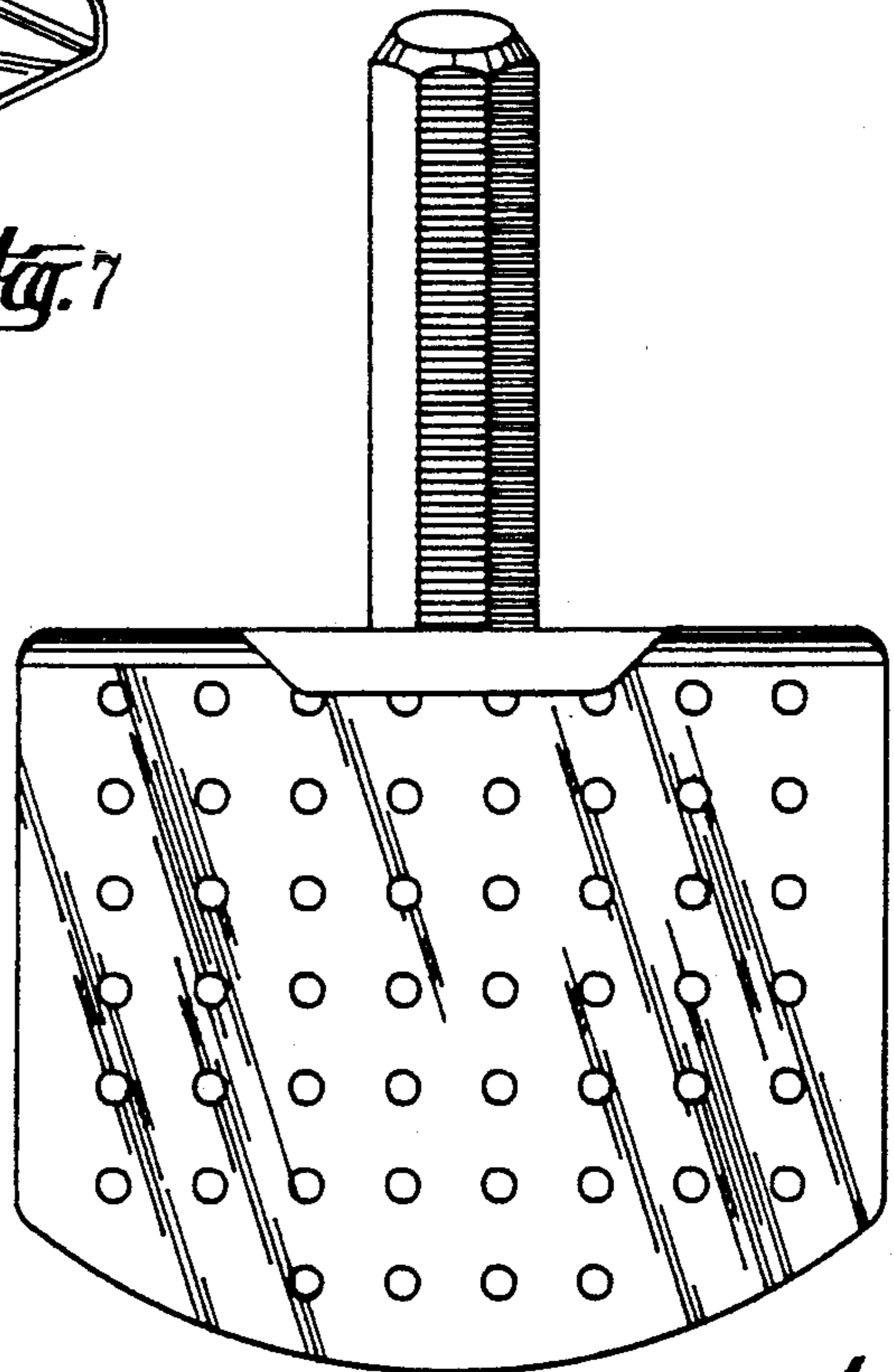


Fig. 8

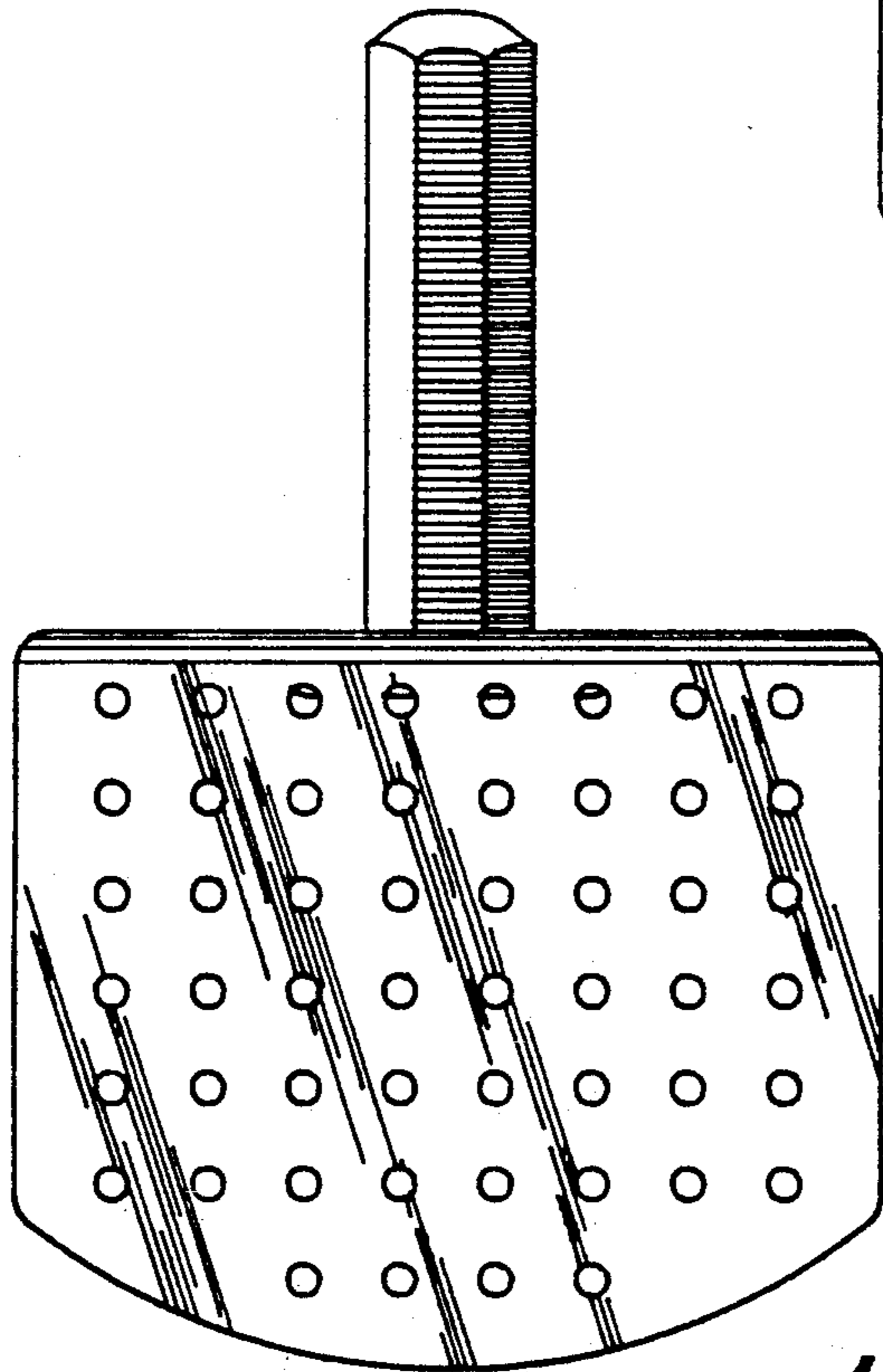


Fig. 9