



US00D326028S

United States Patent [19]

[11] Patent Number: **Des. 326,028**

Balandier

[45] Date of Patent: **** May 12, 1992**

[54] **TOASTER**

3,452,670 7/1969 Huck et al. 99/329 R

[75] Inventor: **Jean-Marie Balandier, Vagney, France**

Primary Examiner—Nelson C. Holtje
Assistant Examiner—Caron D. Veynar
Attorney, Agent, or Firm—Young & Thompson

[73] Assignee: **SEB, Selongey, France**

[57] **CLAIM**

[**] Term: **14 Years**

The ornamental design for a toaster, as shown and described.

[21] Appl. No.: **467,767**

[22] Filed: **Jan. 19, 1990**

DESCRIPTION

[30] **Foreign Application Priority Data**

FIG. 1 is a front elevational view of a toaster, showing my new design;

Jul. 21, 1989 [FR] France 894714

Fig. 2 is a rear elevational view thereof;

[52] U.S. Cl. **D7/330; D7/328**

FIG. 3 is a left side elevational view thereof;

[58] Field of Search **D7/328-331, D7/352, 411; 99/325, 327-331, 350, 389-394**

FIG. 4 is a right side elevational view thereof;

FIG. 5 is a top plan view thereof;

FIG. 6 is a bottom plan view thereof;

[56] **References Cited**

U.S. PATENT DOCUMENTS

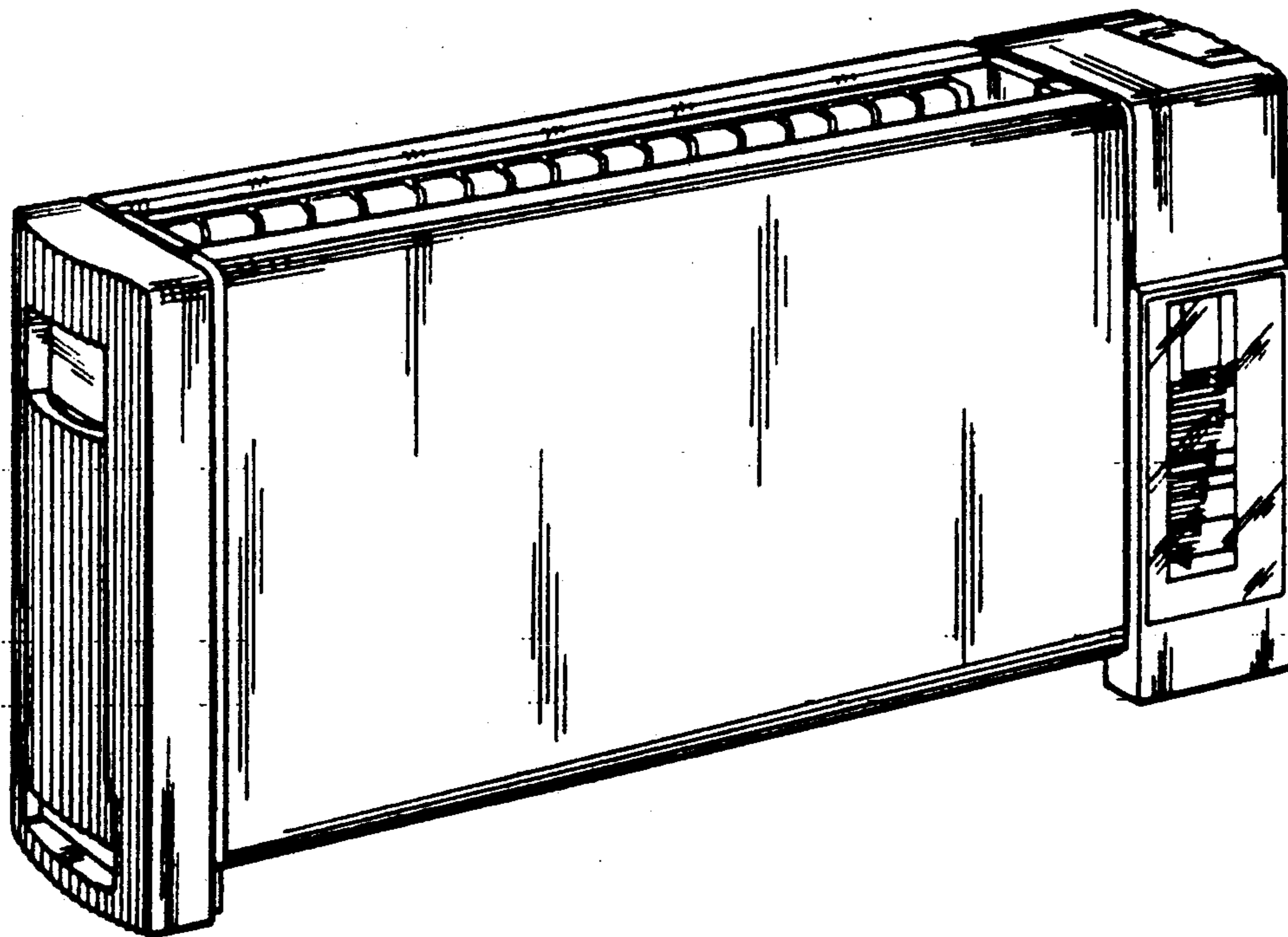
- D. 226,242 1/1973 Weiss D7/330
- D. 297,391 8/1988 Ansel D7/330
- D. 315,273 3/1991 Myerly et al. D7/330

FIG. 7 is a left, front and top perspective view thereof;

FIG. 8 is a left, front and top perspective view thereof,

with the crumb tray shown in an alternate position; and,

FIG. 9 is an enlarged right side fragmentary perspective view thereof.



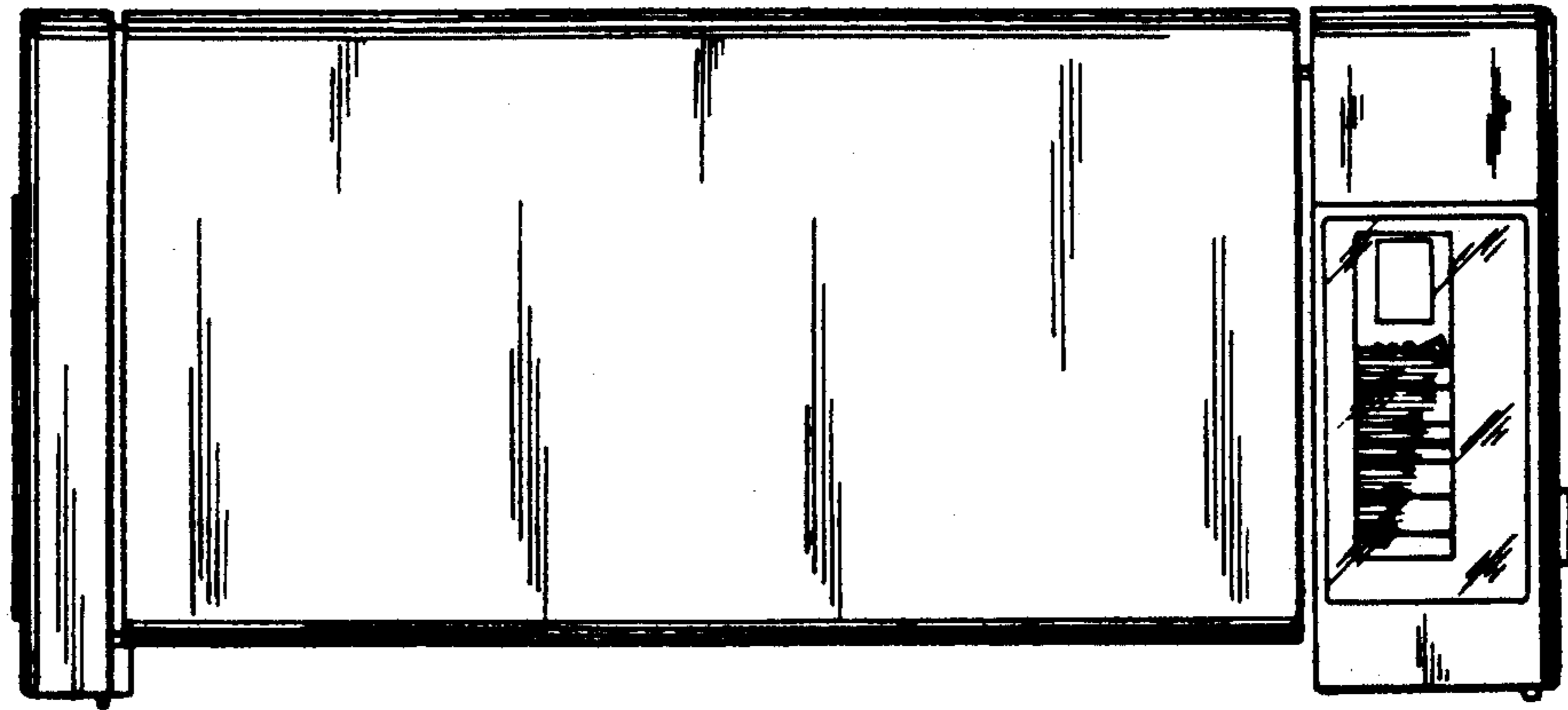


FIG. 1

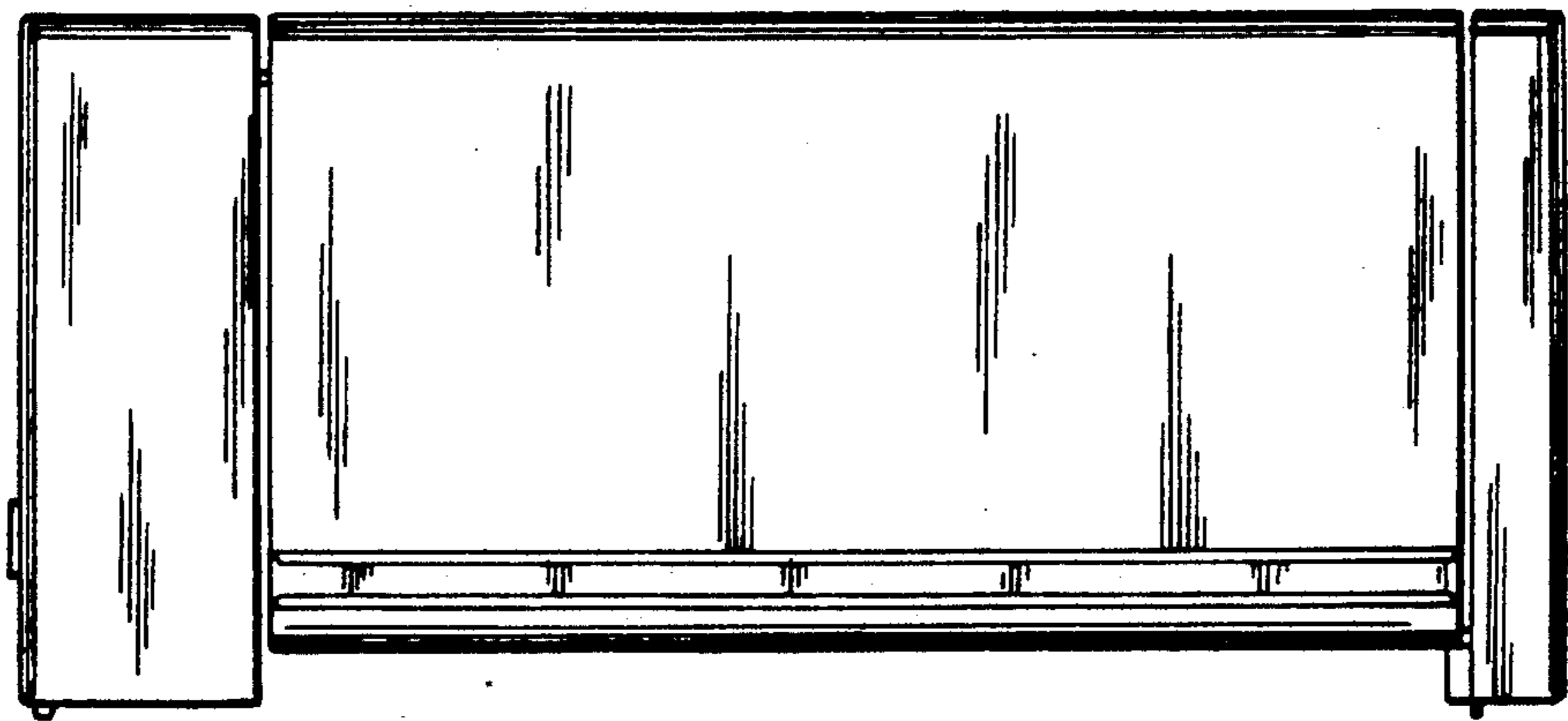


FIG. 2

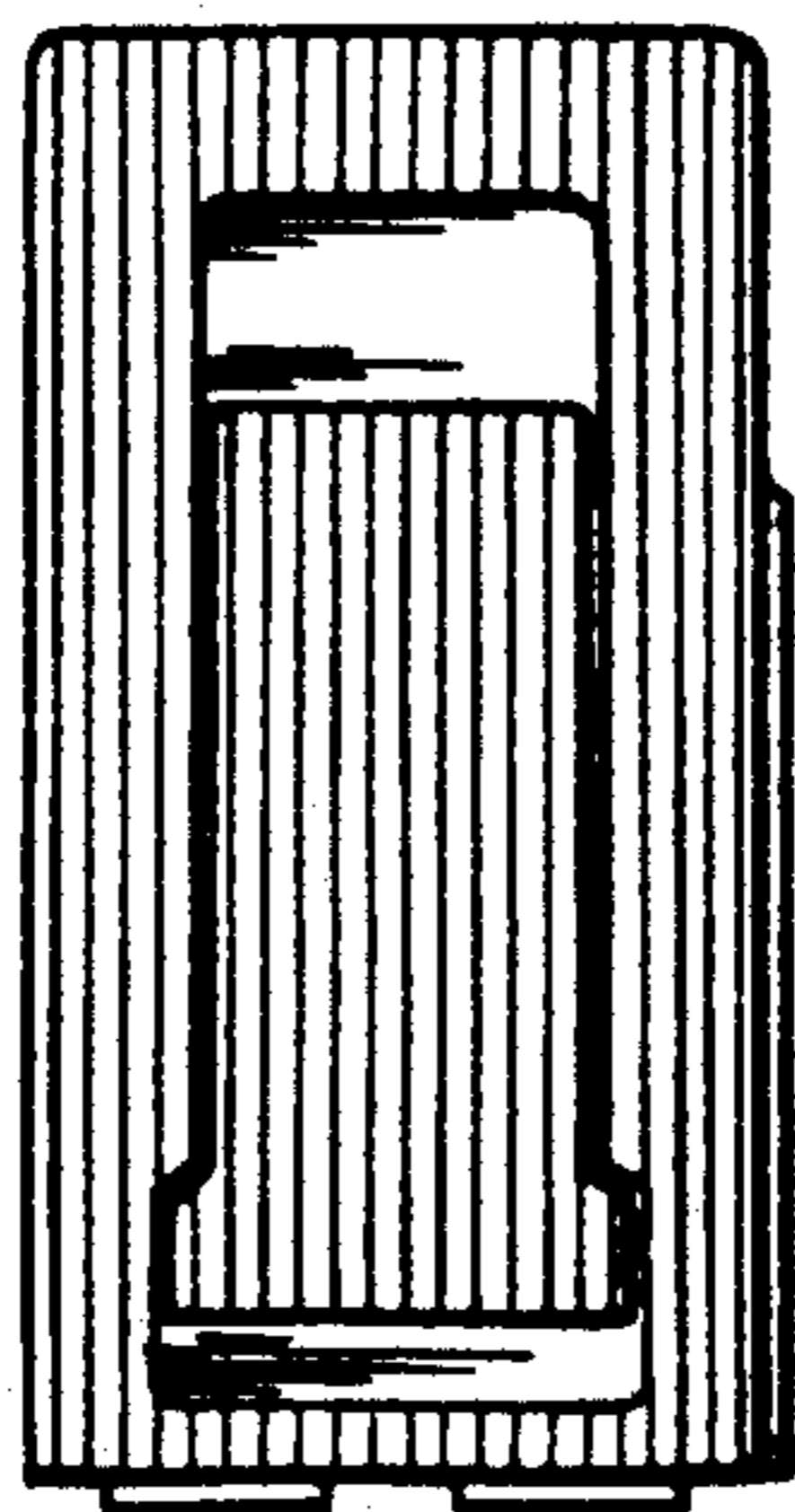


FIG. 3

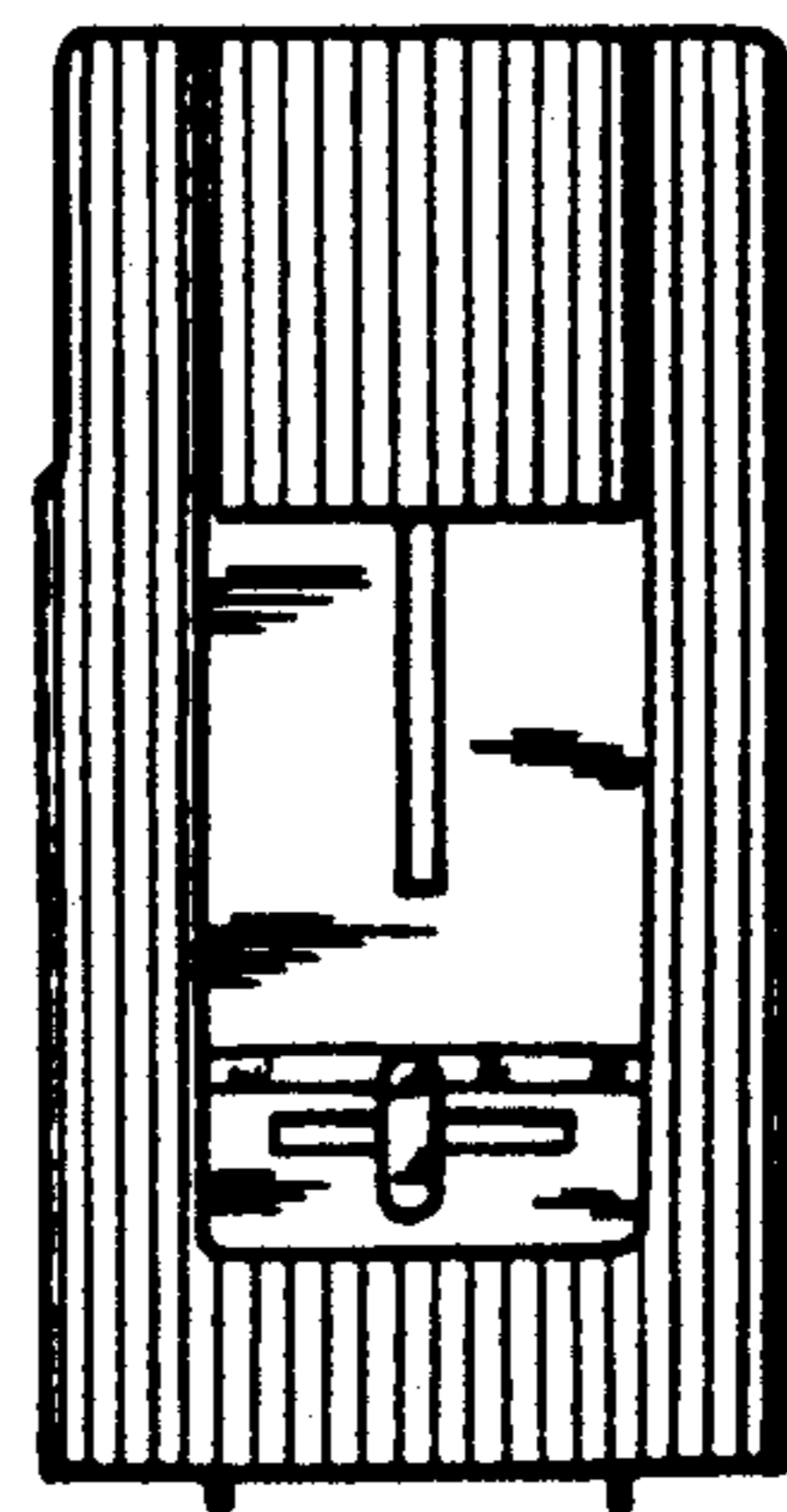


FIG. 4

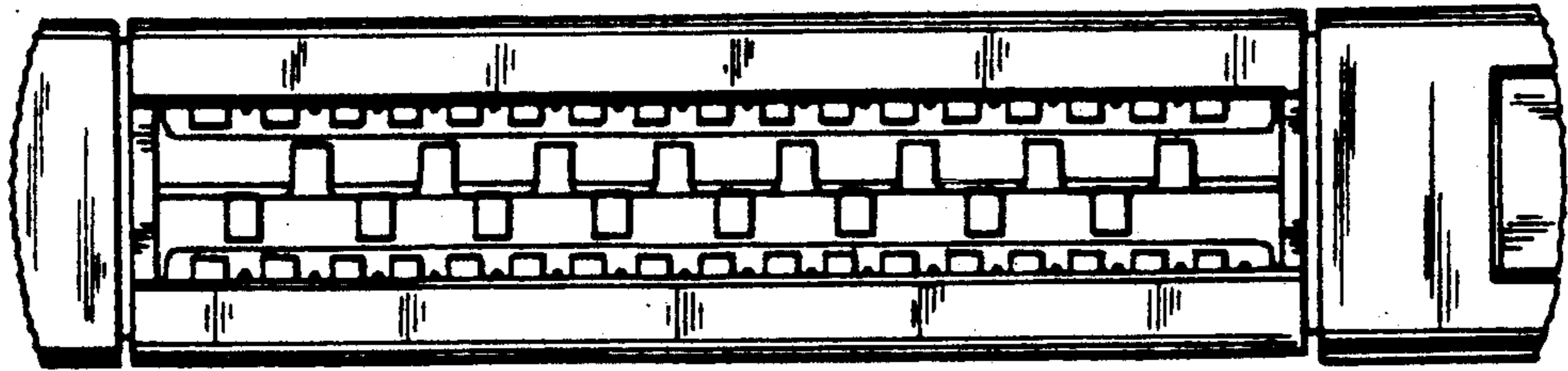


FIG. 5

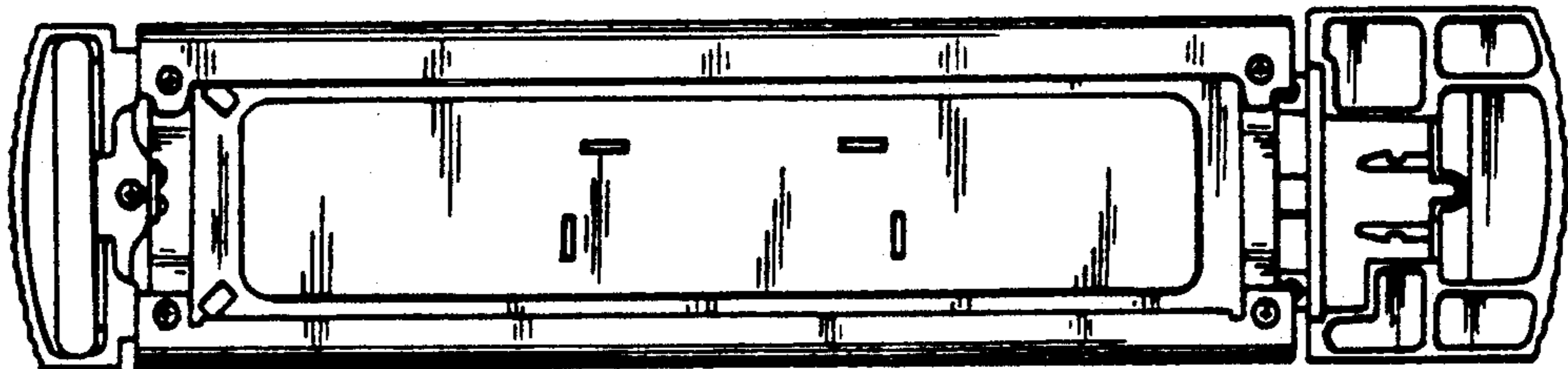


FIG. 6

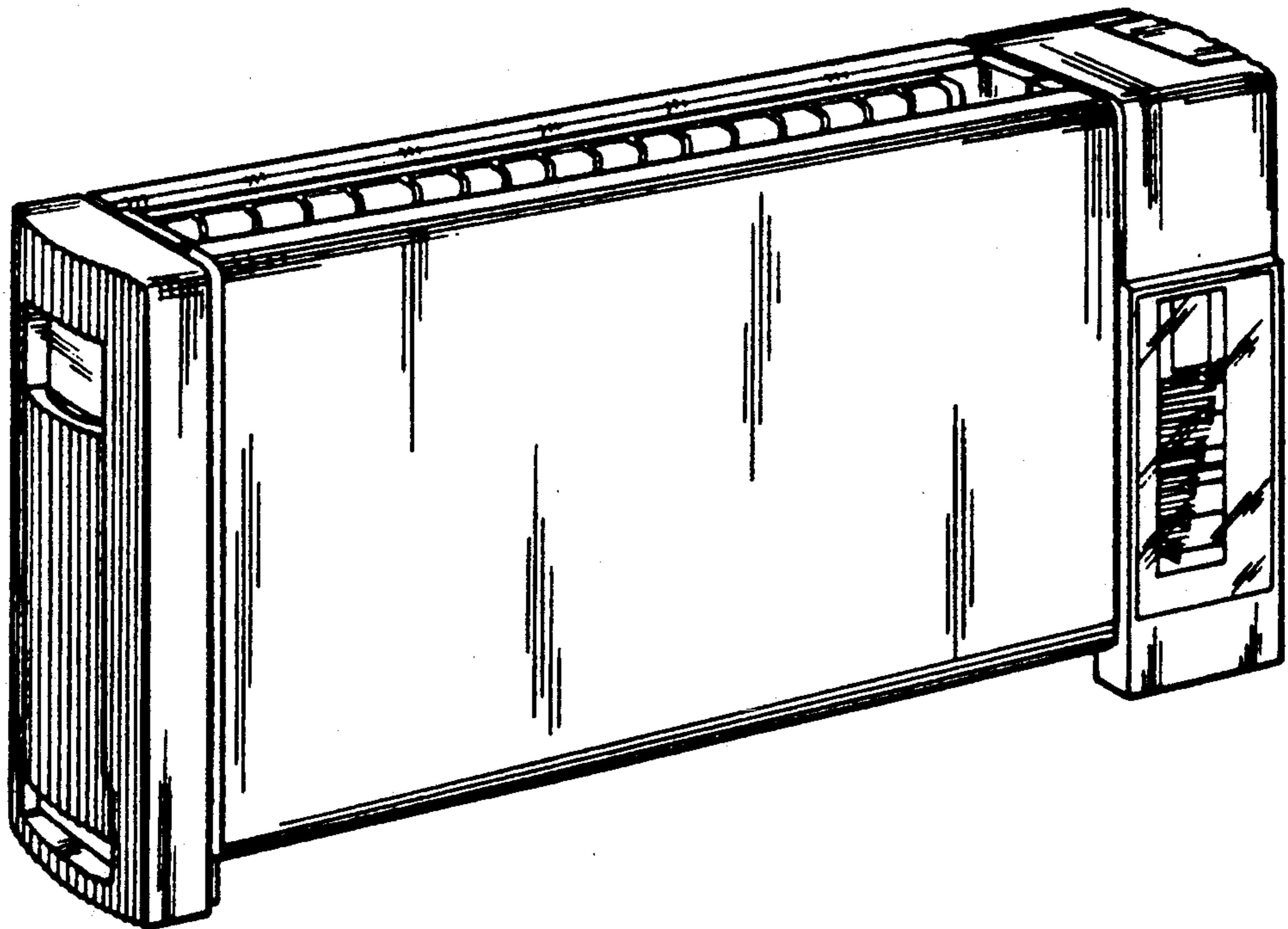


FIG. 7

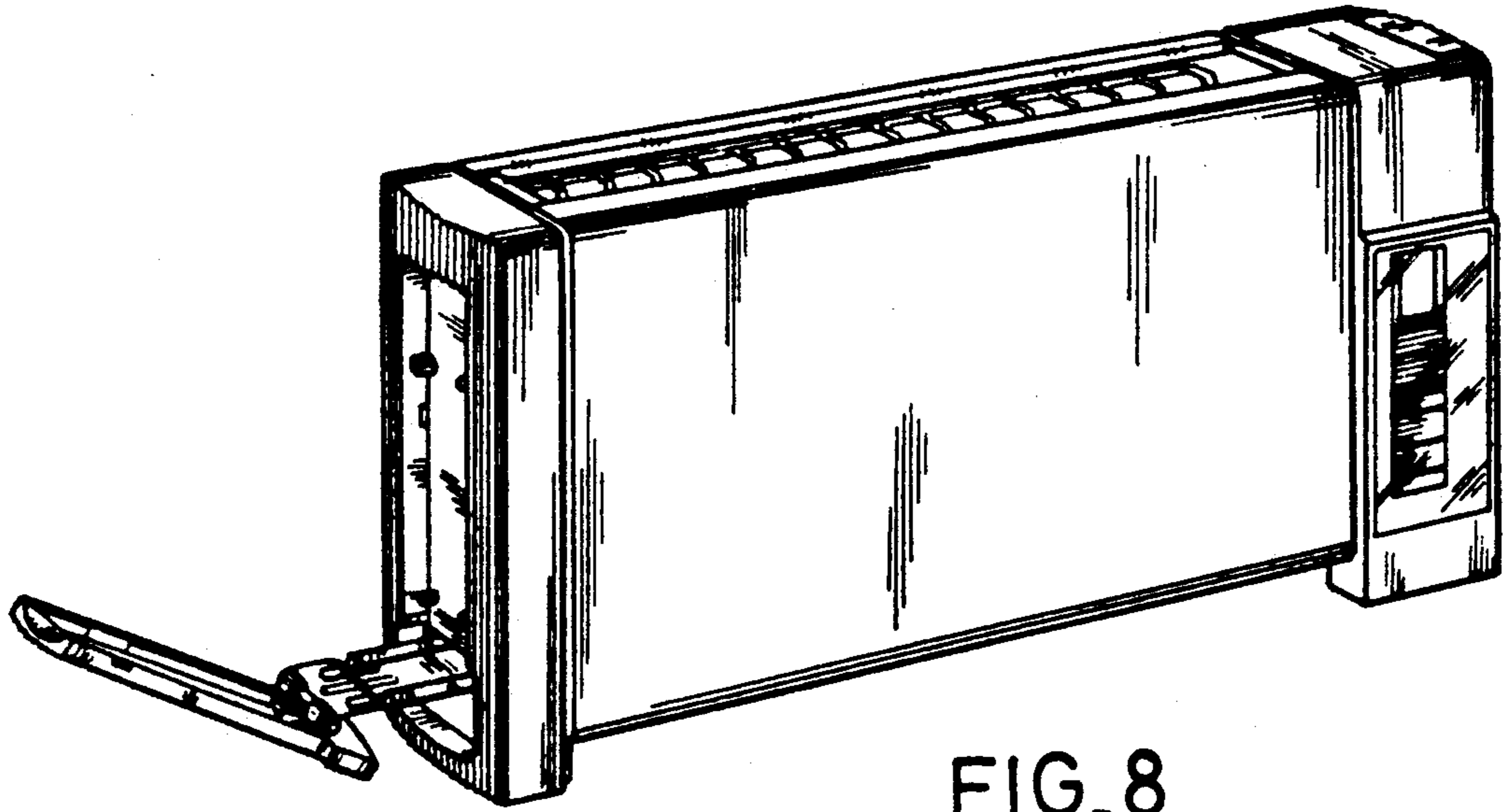


FIG. 8

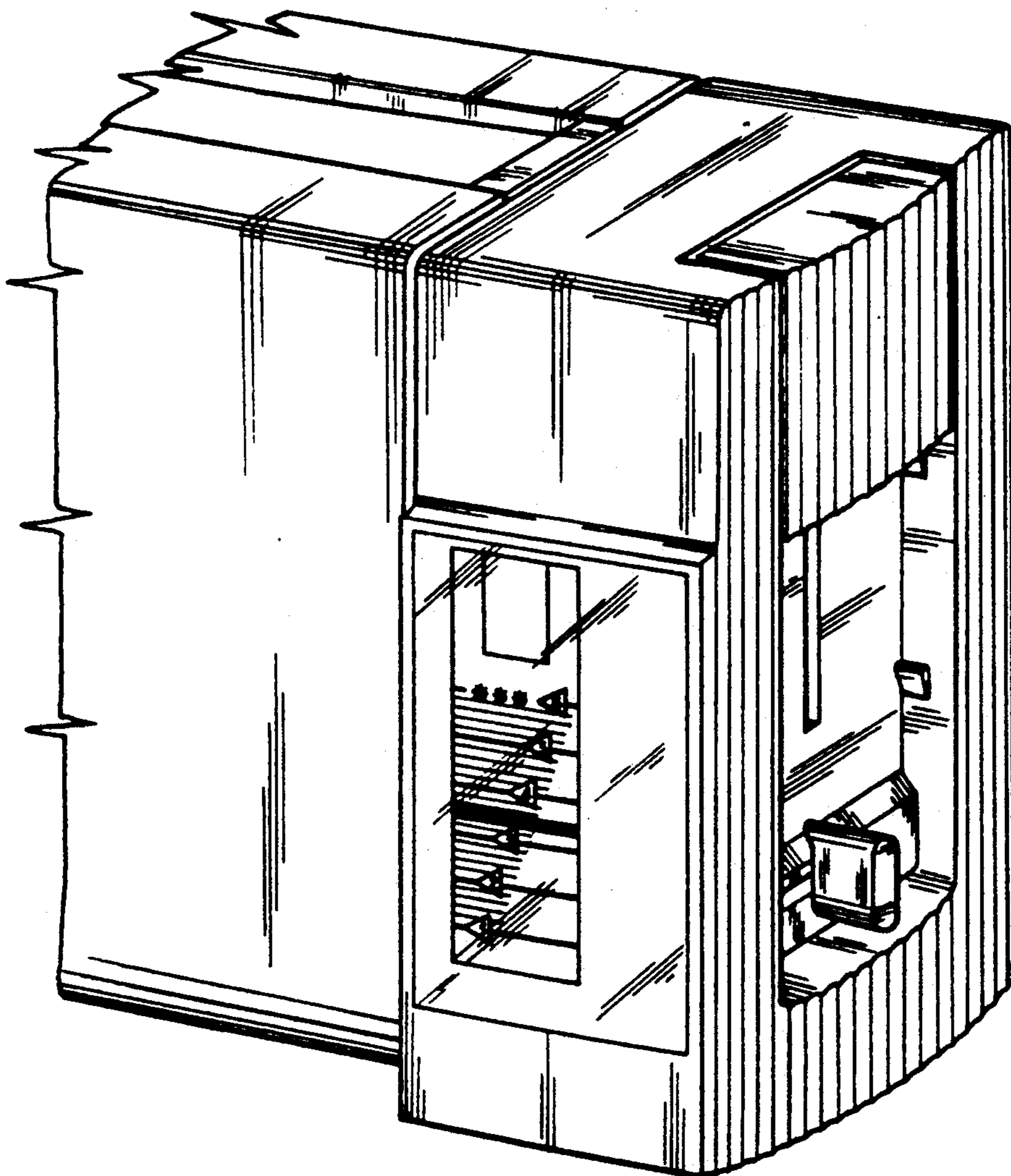


FIG. 9