



US00D326027S

# United States Patent [19]

[11] Patent Number: **Des. 326,027**

Estes

[45] Date of Patent: **\*\* May 12, 1992**

- [54] **POSTER WALL HANGER ASSEMBLY OR THE LIKE**
- [75] Inventor: **Maude H. Estes, Jacksonville, Fla.**
- [73] Assignee: **Grip-A-Strip, Inc., Jacksonville, Fla.**
- [\*\*] Term: **14 Years**
- [21] Appl. No.: **394,174**
- [22] Filed: **Aug. 14, 1989**
- [52] U.S. Cl. .... **D6/553; D8/376**
- [58] Field of Search ..... **D6/574, 512, 553, 567, D6/300, 301; D8/354, 373, 376; 40/152, 152.1, 904; 248/466, 468, 489, 494; 211/13, 89, 45; 160/368.1; D19/75, 91**

### OTHER PUBLICATIONS

Dek Catalogue #E-374 (1974) p. 9—"deckduct" cable ducting.

*Primary Examiner*—Brian N. Vinson  
*Attorney, Agent, or Firm*—Arthur G. Yeager

### [57] CLAIM

The ornamental design for a poster wall hanger assembly or the like, as shown and described.

### DESCRIPTION

FIG. 1 is an exploded front and left side perspective view of a poster wall hanger assembly or the like showing my new design, shown broken away for clarity of illustration;

FIG. 2 is a reduced rear elevational view thereof;

FIG. 3 is a reduced front elevational view thereof;

FIG. 4 is a reduced left side elevational view thereof, the right side being a mirror image of that shown;

FIG. 5 is a reduced top plan view thereof;

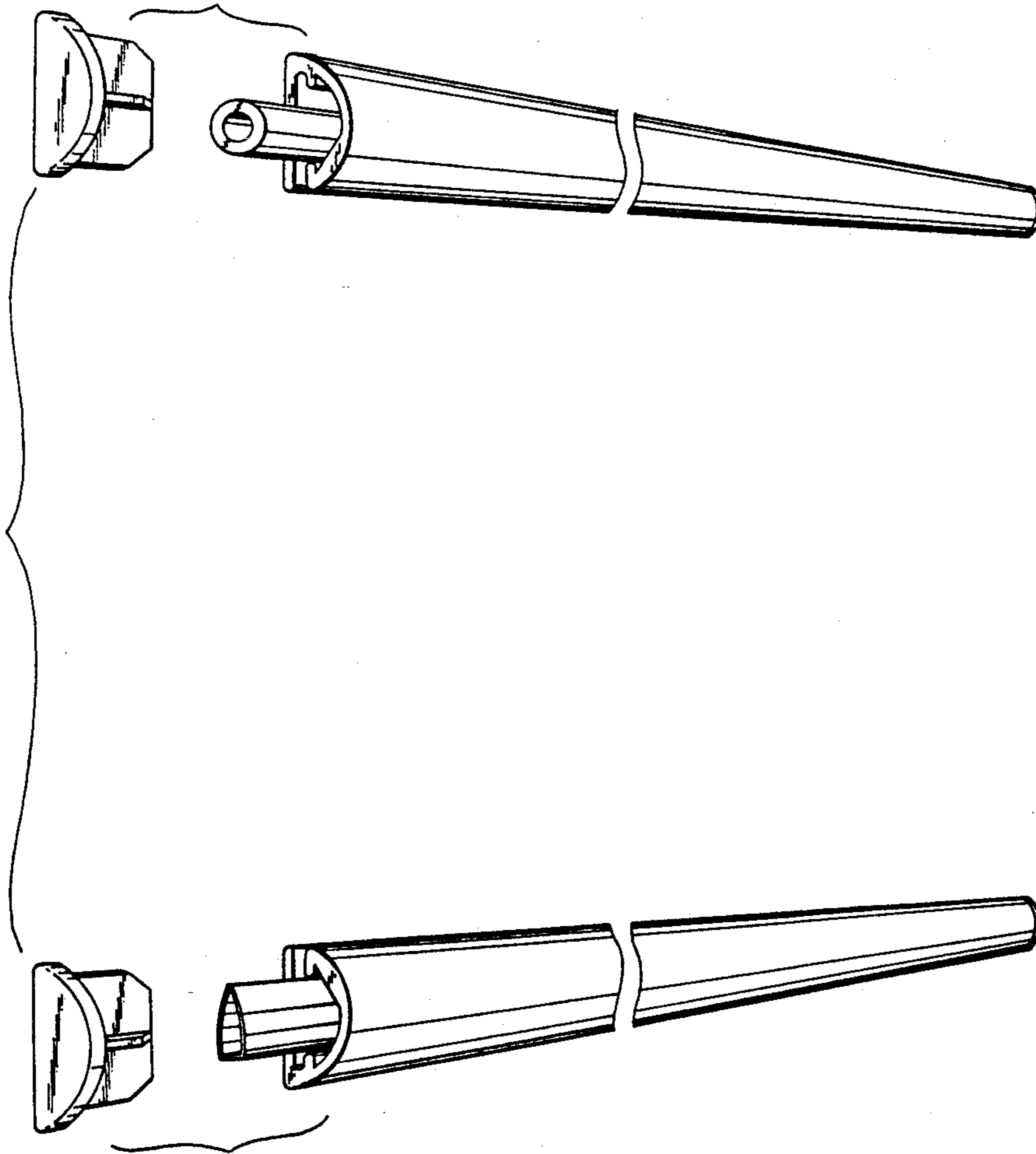
FIG. 6 is a reduced bottom plan view thereof;

FIG. 7 is a reduced bottom plan view of the upper component thereof; and,

FIG. 8 is a reduced top plan view of the lower component thereof.

### [56] References Cited U.S. PATENT DOCUMENTS

D. 248,483	7/1978	Elias et al. ....	D19/91
D. 310,689	9/1990	Evenson .....	D19/75 X
3,168,954	2/1965	VonHerrmann .....	211/89 X
4,067,536	1/1978	McBeth .....	D6/574 X
4,105,127	8/1978	Höll .....	211/89 X
4,391,375	7/1983	Joyce .....	211/13
4,629,075	12/1986	Hutten .....	211/45 X
4,773,545	9/1988	Jones .....	211/89
4,907,637	3/1990	Hintsa .....	160/368.1



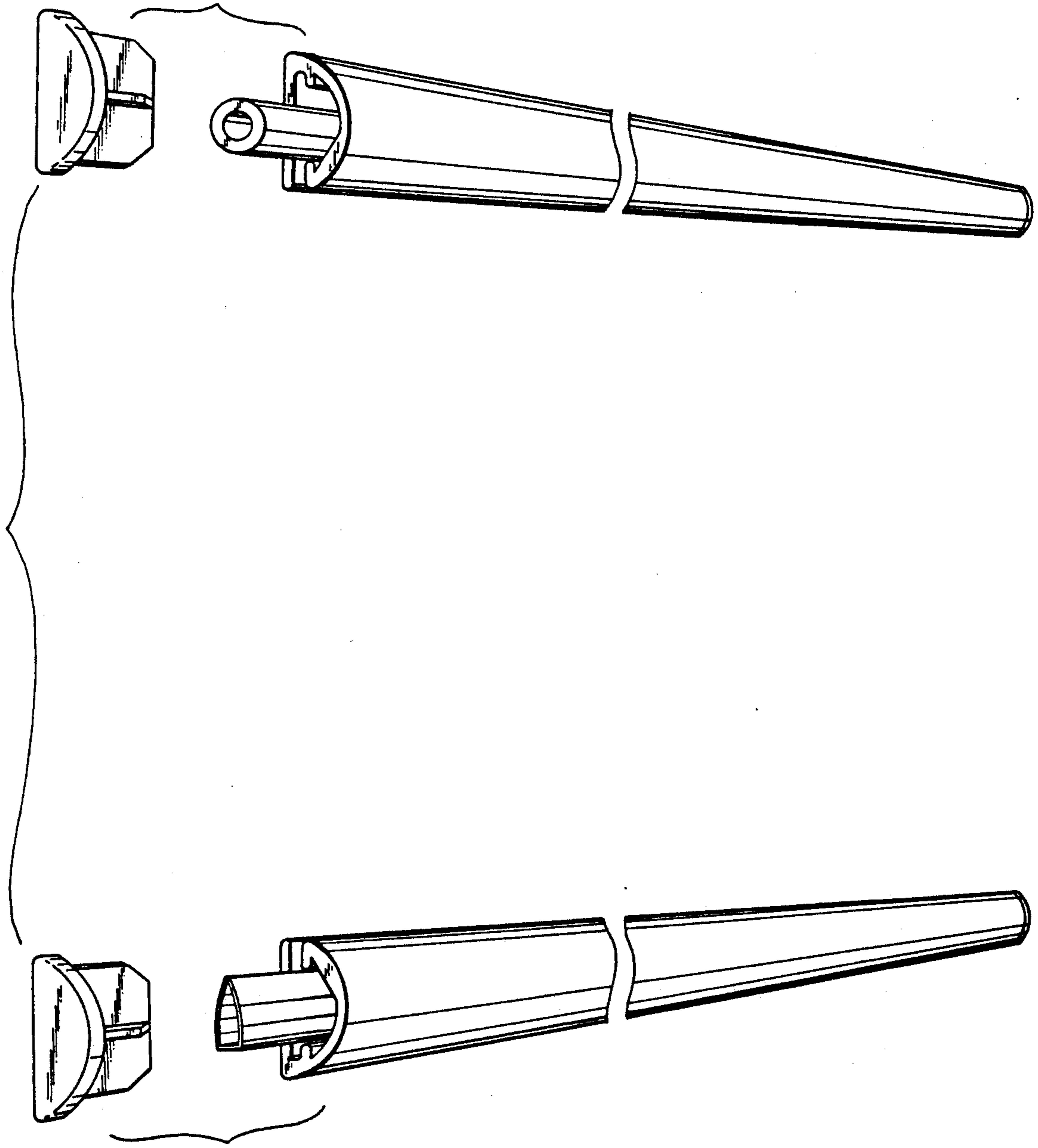


FIG 1

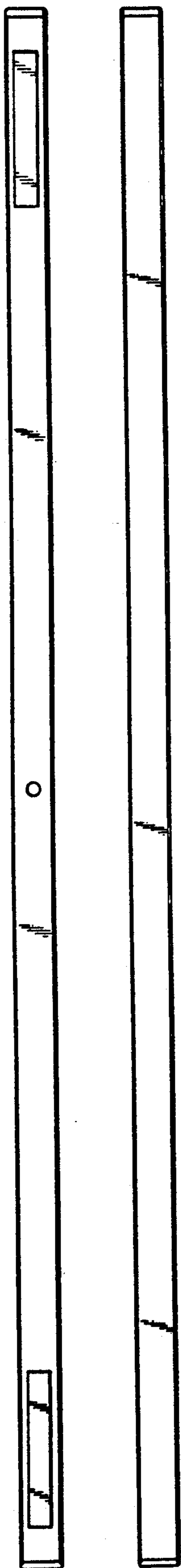


FIG 2

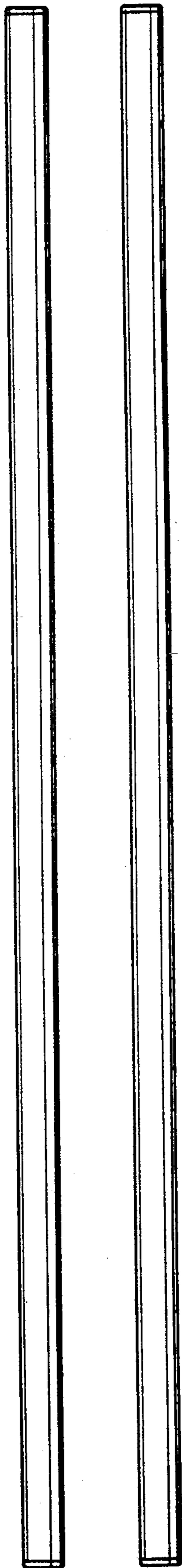


FIG 3



FIG 4



FIG 5



FIG 6



FIG 7



FIG 8