



US00D326021S

United States Patent [19]

[11] Patent Number: **Des. 326,021**

Evenson

[45] Date of Patent: **** May 12, 1992**

[54] **OVER-DOOR HOOK**

[75] Inventor: **Mel Evenson, San Pedro, Calif.**

[73] Assignee: **Eldon Industries, Inc., Inglewood, Calif.**

[**] Term: **14 Years**

[21] Appl. No.: **619,333**

[22] Filed: **Nov. 28, 1990**

[52] U.S. Cl. **D6/323; D8/367**

[58] Field of Search **D6/315, 320, 323; D8/367, 371; 211/214, 215, 304**

[56] **References Cited**

U.S. PATENT DOCUMENTS

D. 159,261	7/1950	Fiechter	D6/323
D. 300,089	3/1989	Edwards	D8/371
D. 301,807	6/1989	Friedman	D6/323
D. 304,545	11/1989	Hurrelbrink	D8/367

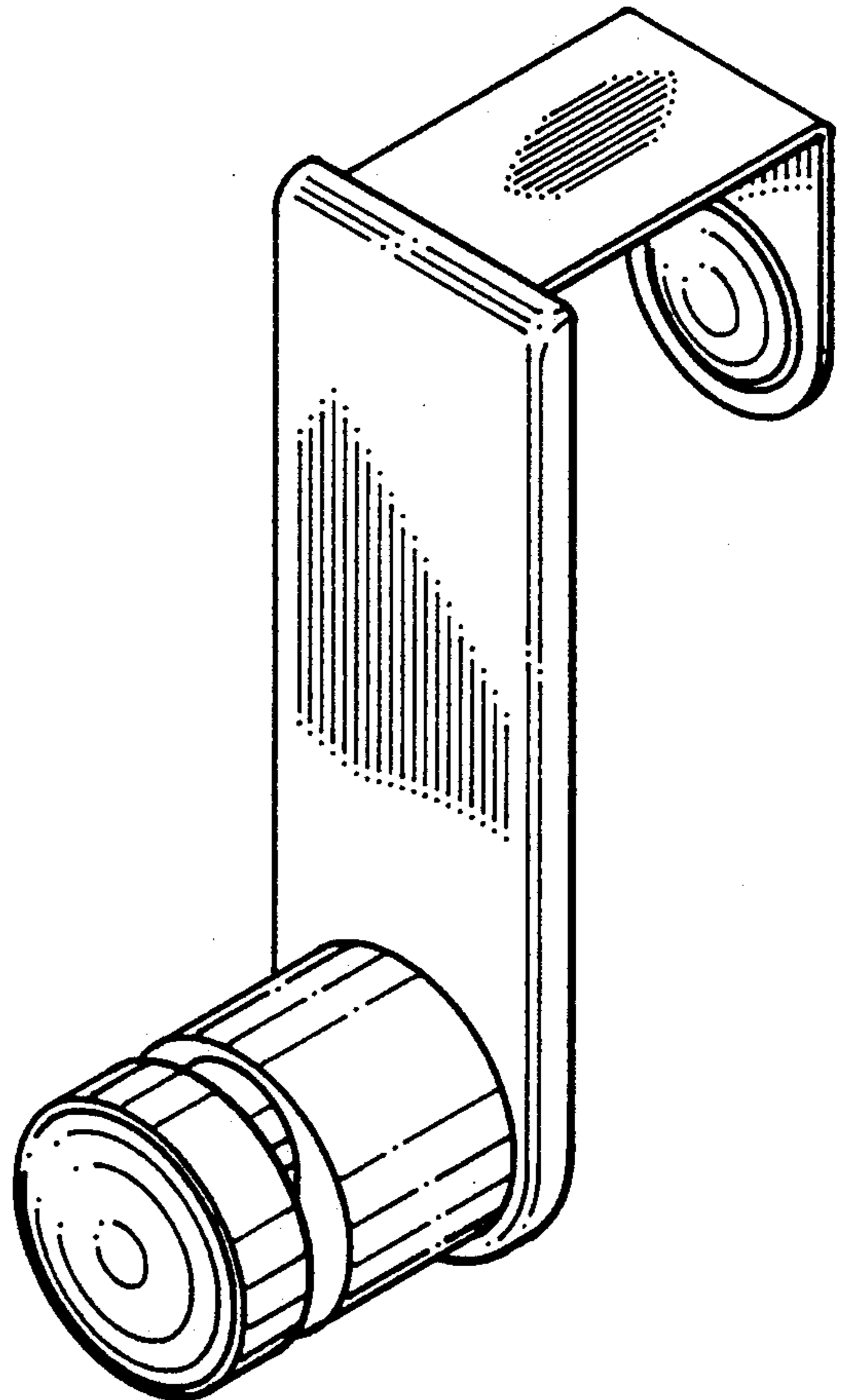
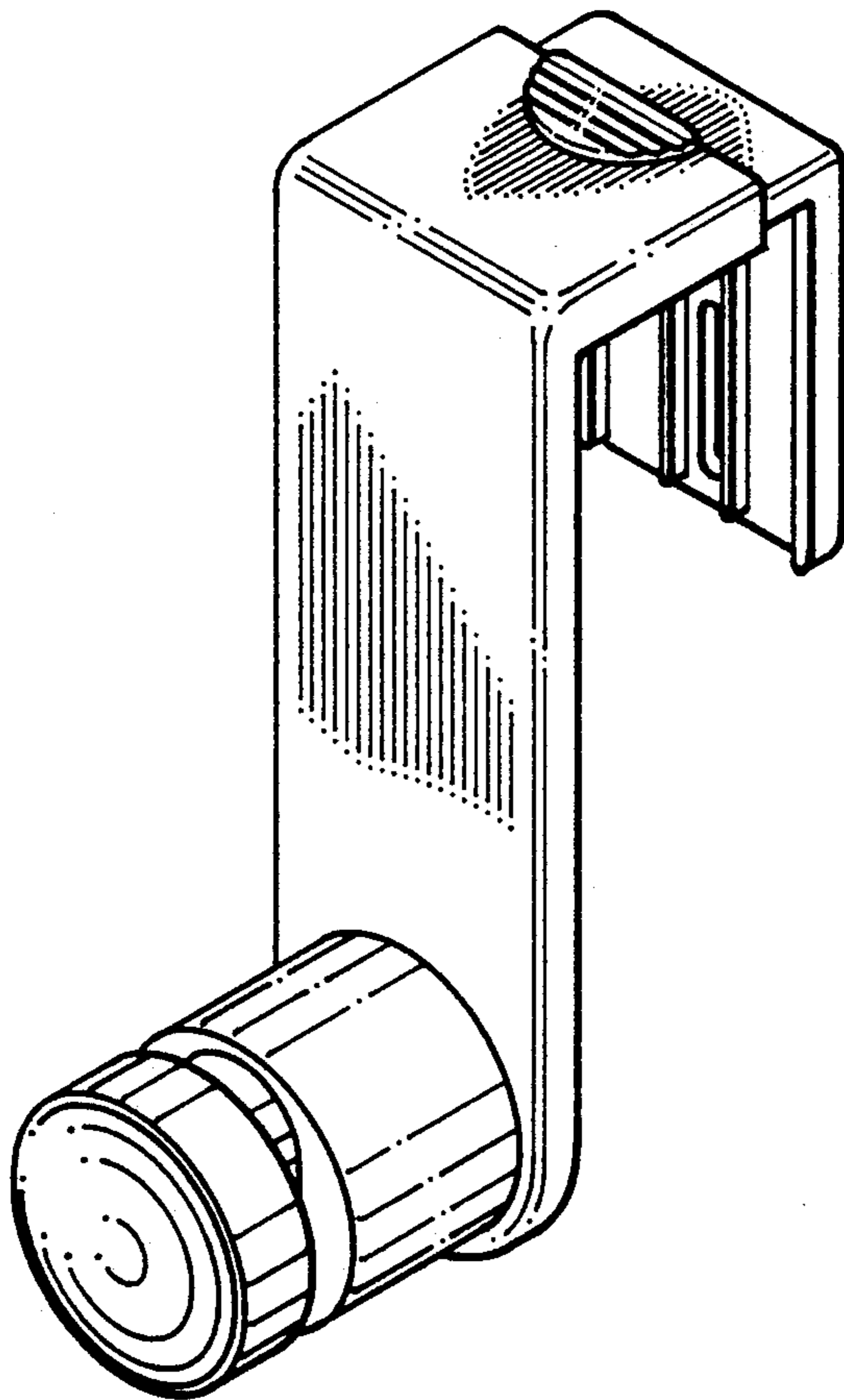
Primary Examiner—**B. J. Bullock**

[57] **CLAIM**

The ornamental design for an over-door hook, as shown and described.

DESCRIPTION

FIG. 1 is a front elevational view of an over-door hook showing my new design;
 FIG. 2 is a rear elevational view thereof;
 FIG. 3 is a top plan view thereof;
 FIG. 4 is a bottom plan view thereof;
 FIG. 5 is a right side elevational view thereof, the left side being a mirror image;
 FIG. 6 is a perspective view thereof;
 FIG. 7 is a rear elevational view of a second embodiment of the design of FIG. 1;
 FIG. 8 is a top plan view of FIG. 7;
 FIG. 9 is a bottom plan view of FIG. 7;
 FIG. 10 is a right side elevational view of FIG. 7, the left side being a mirror image; and,
 FIG. 11 is a perspective view of FIG. 7.



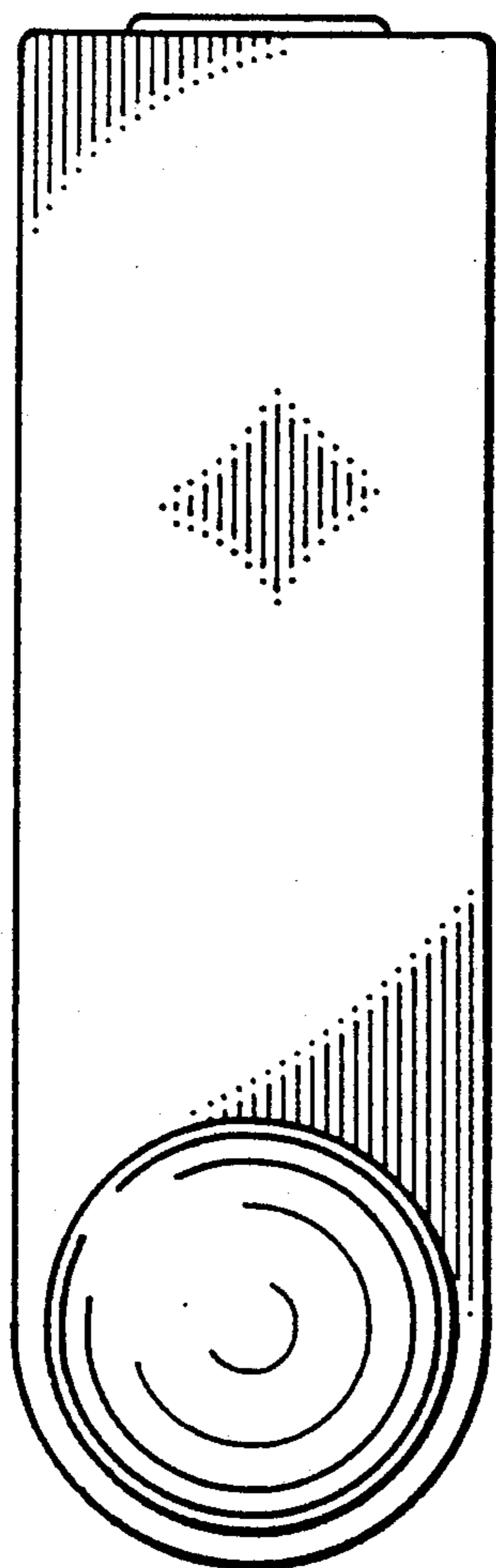


FIG. 1

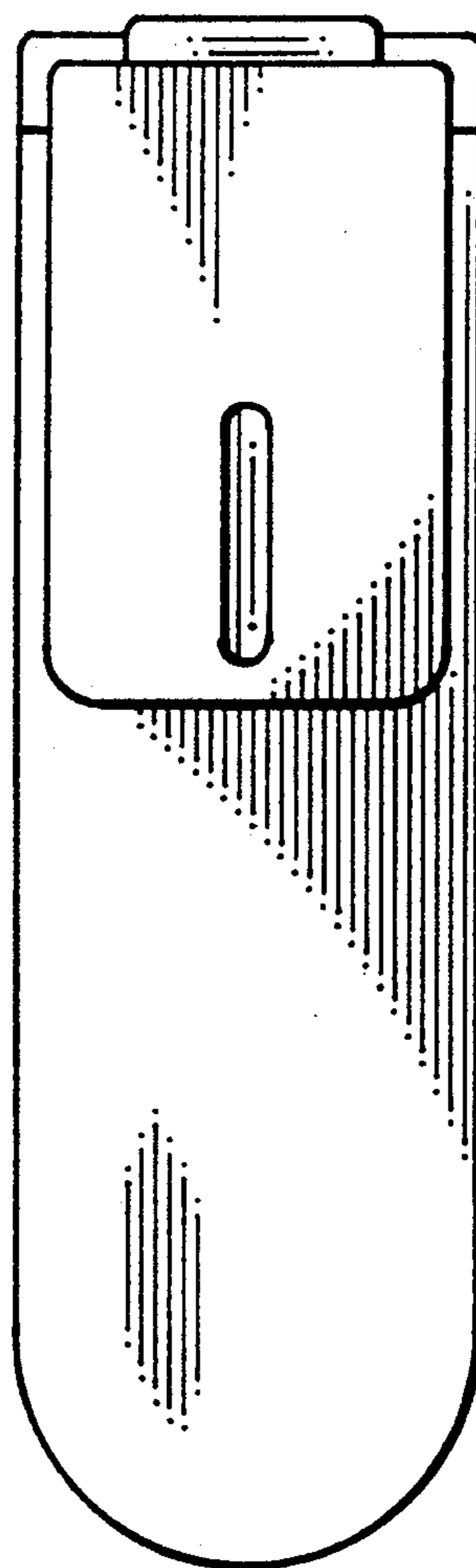


FIG. 2

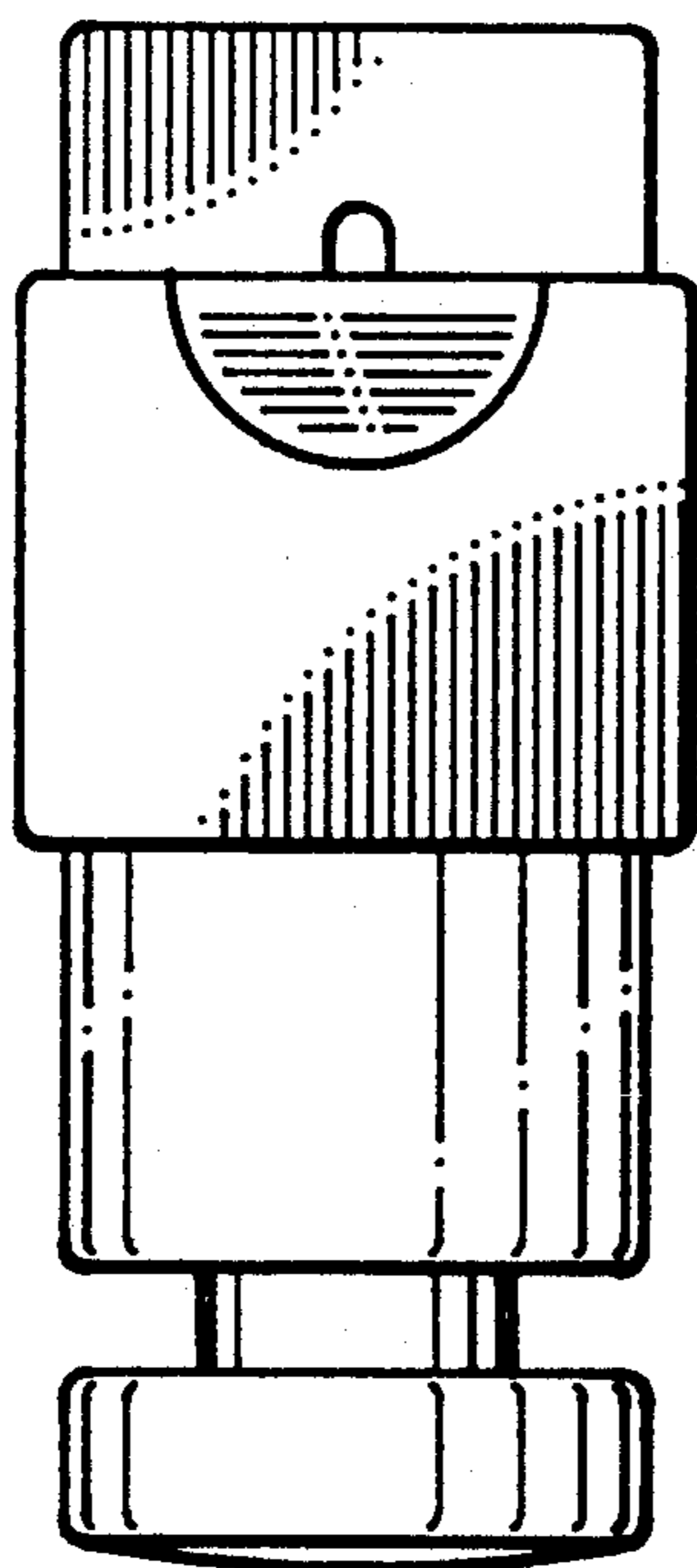


FIG. 3

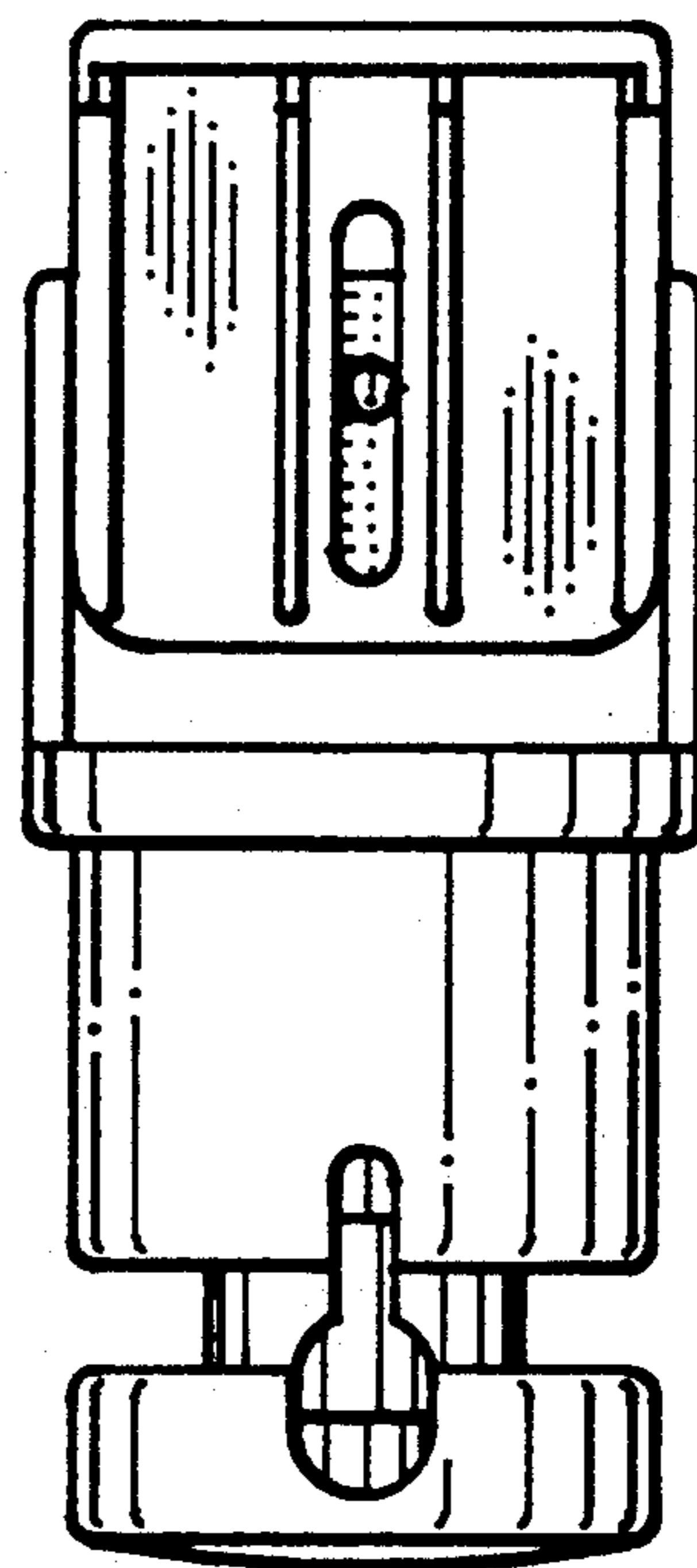


FIG. 4

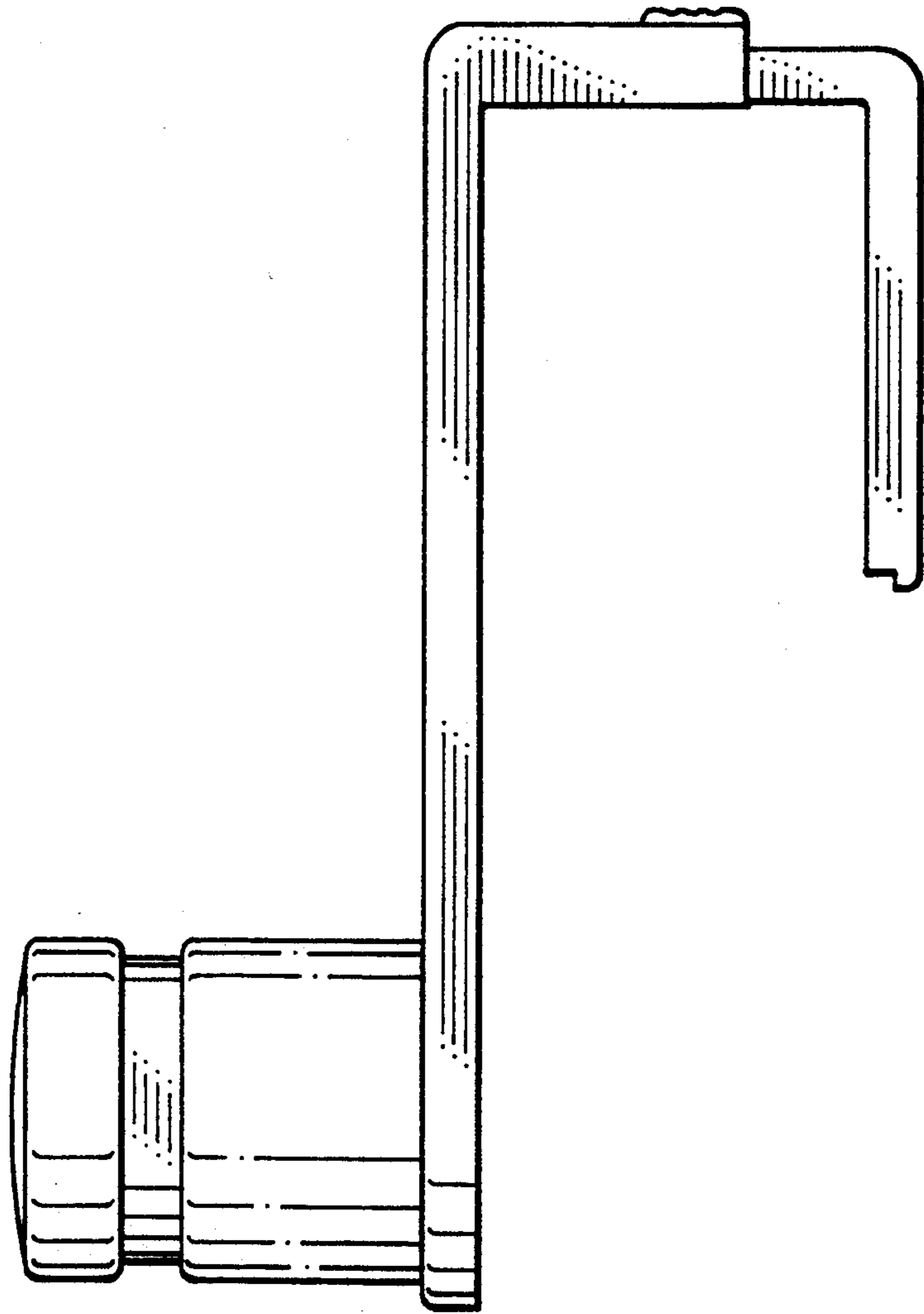


FIG. 5

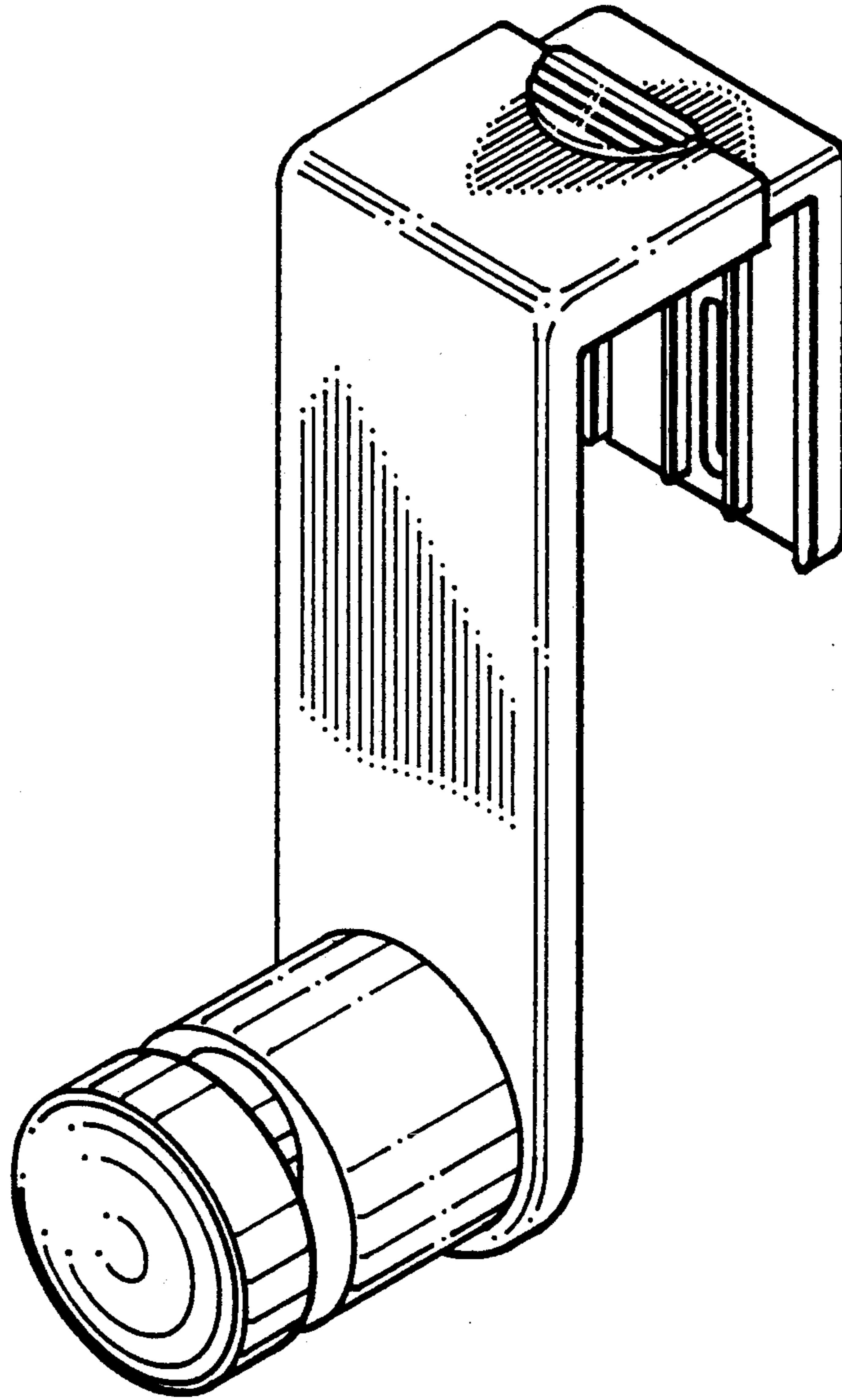


FIG. 6

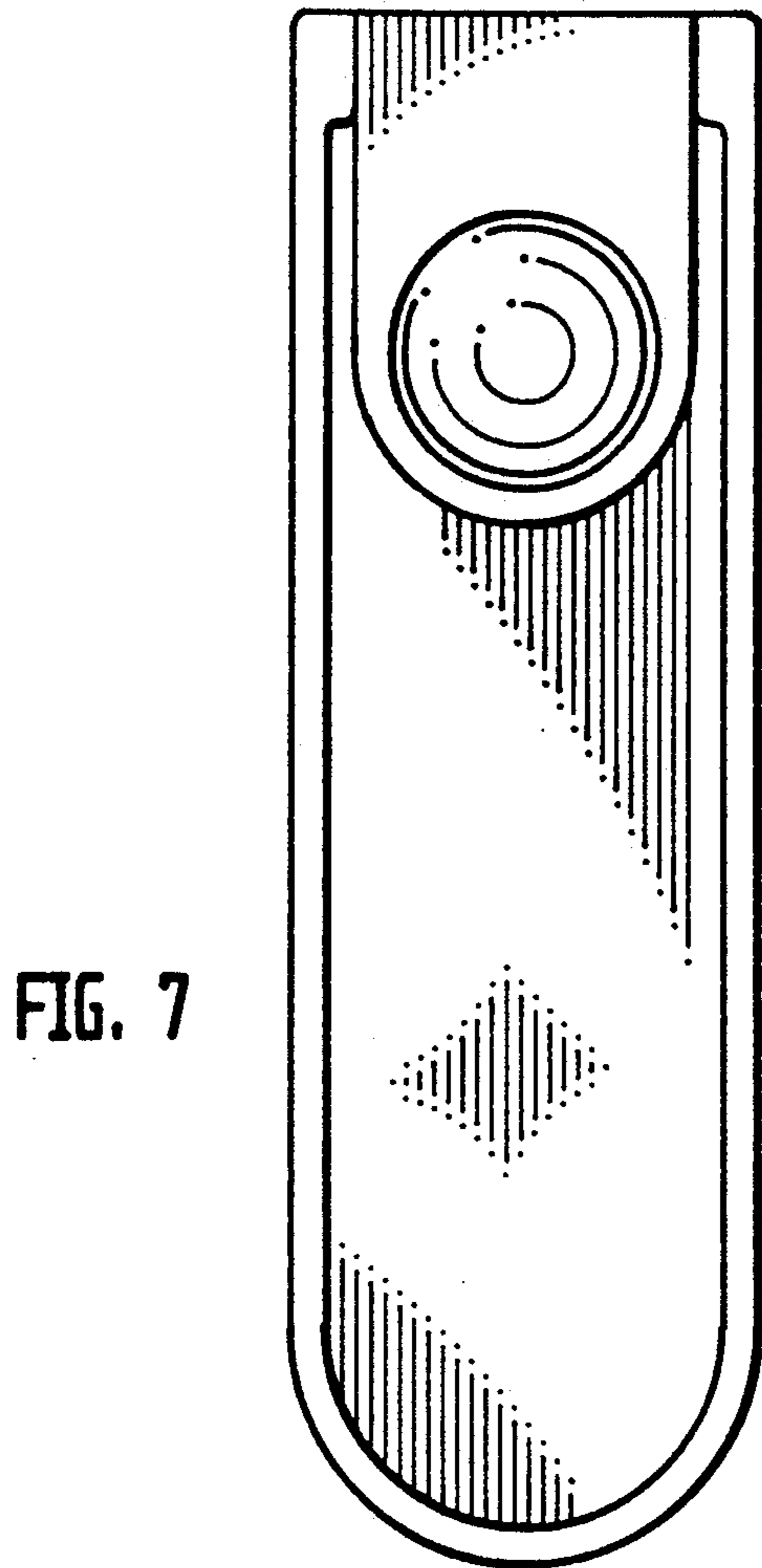


FIG. 7

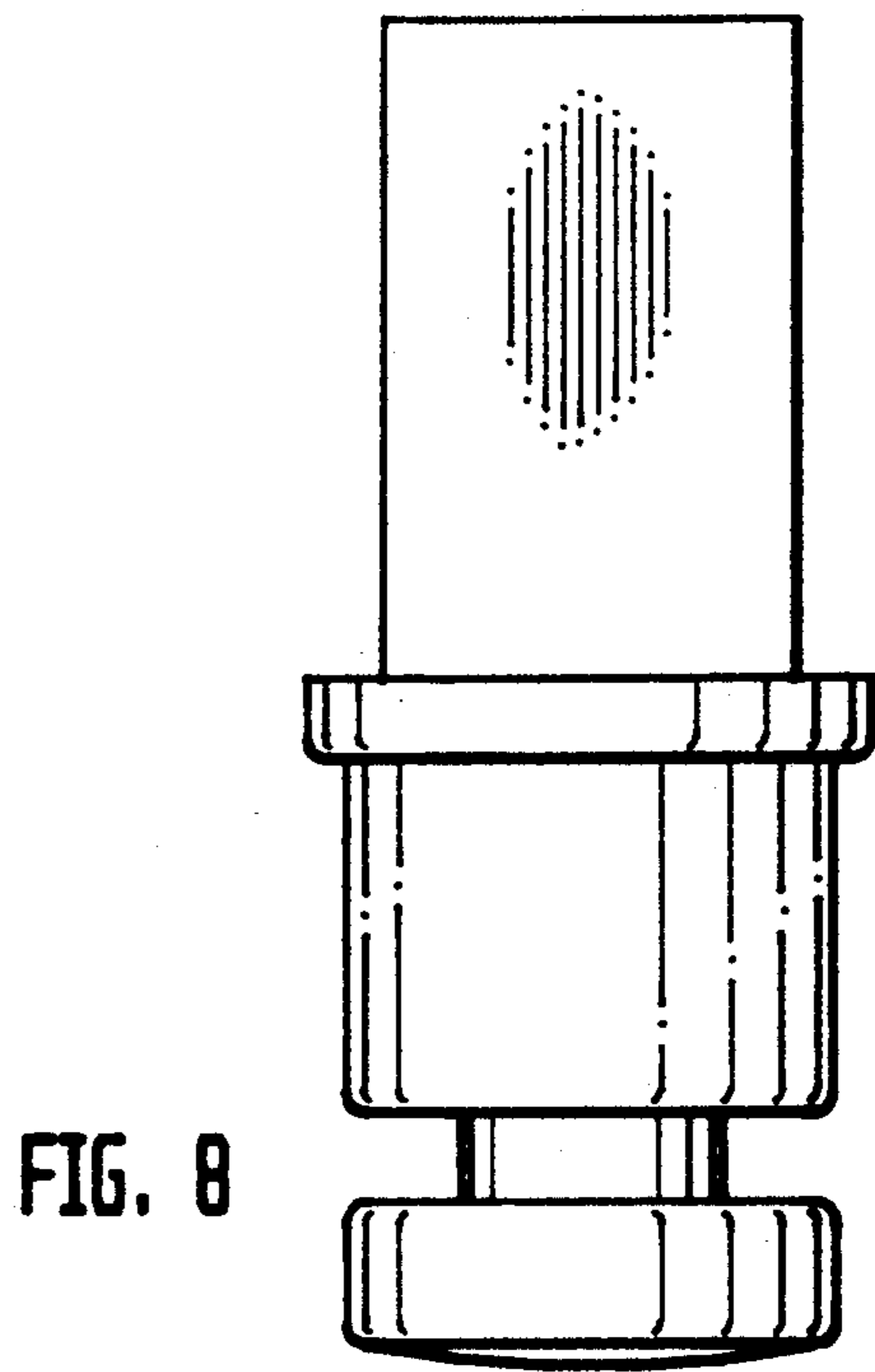


FIG. 8

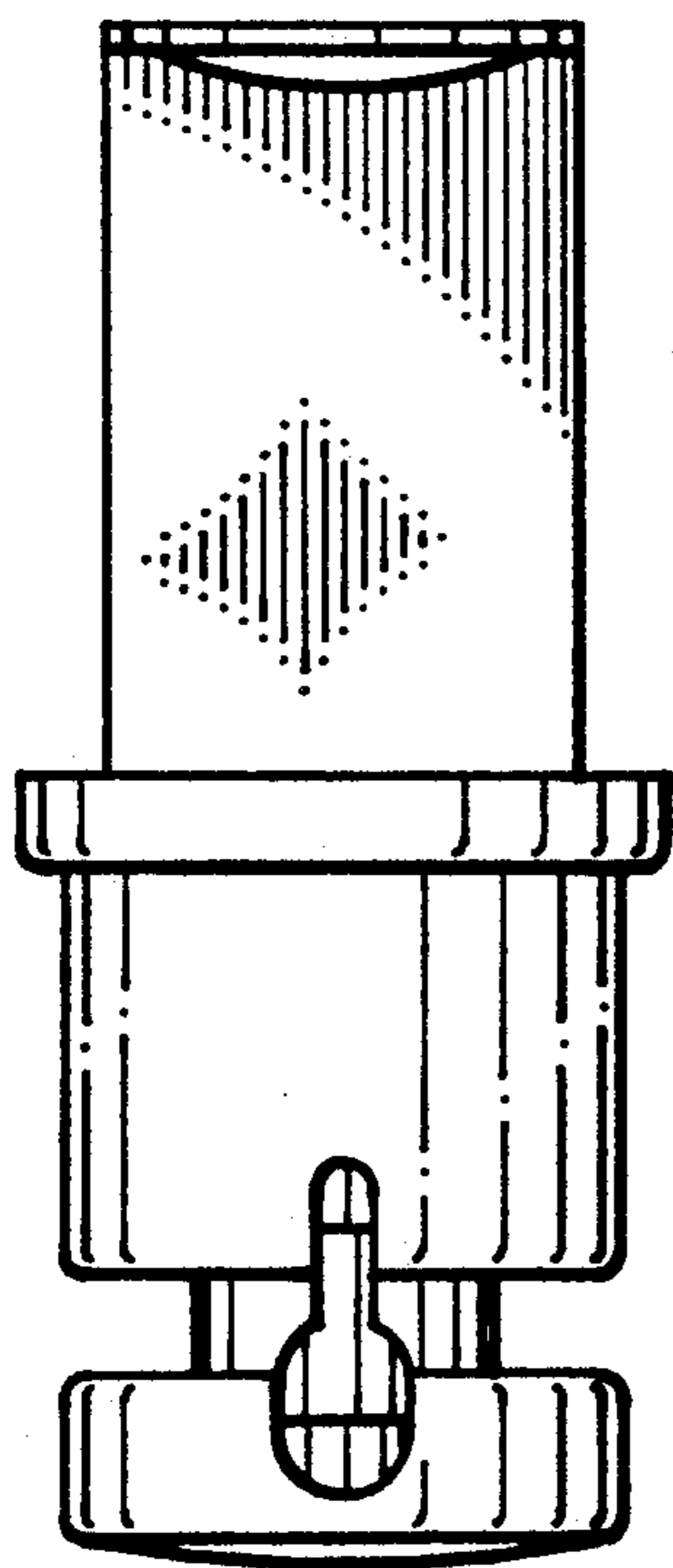
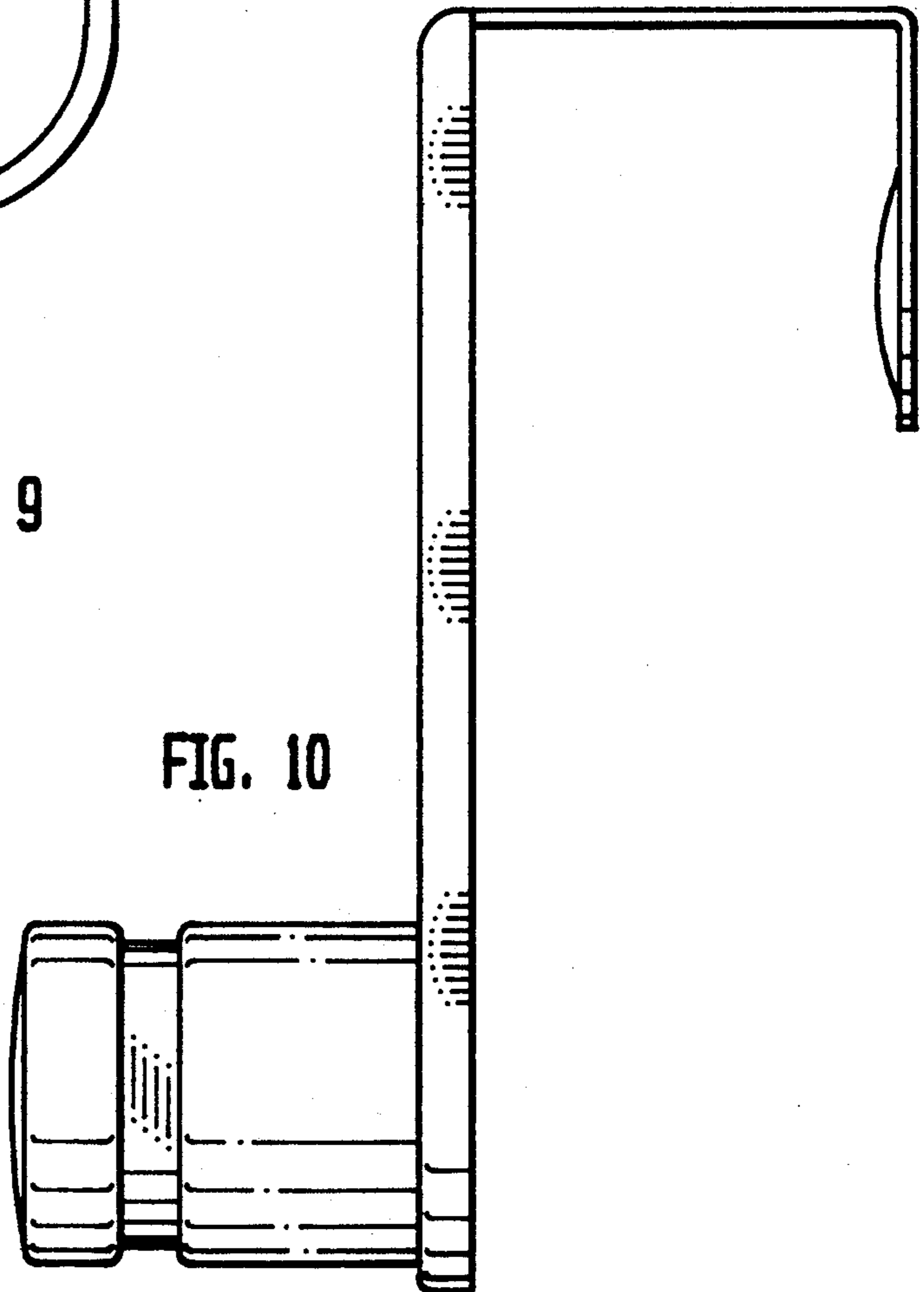


FIG. 9

FIG. 10



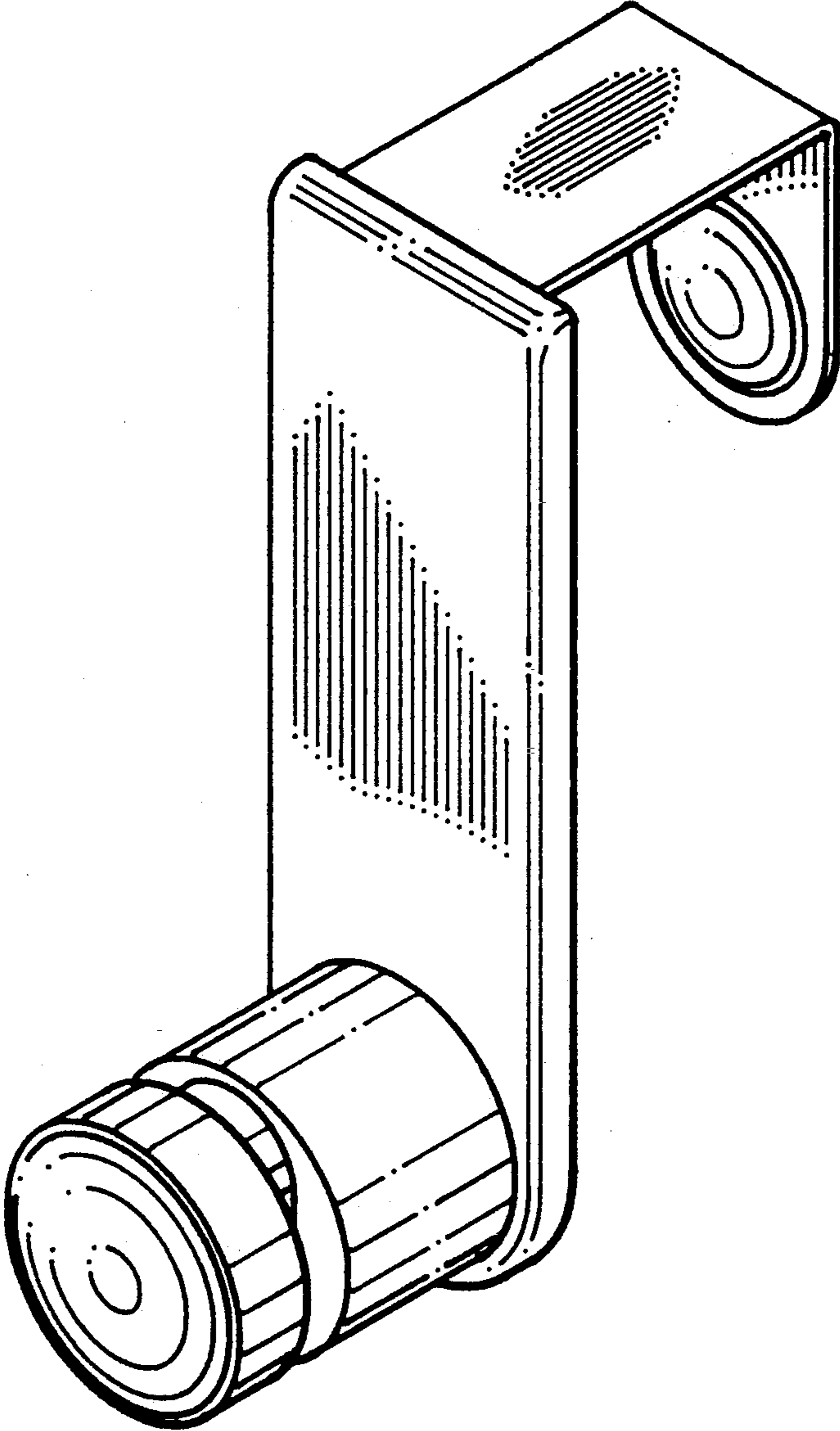


FIG. 11