



US00D326017S

# United States Patent [19]

Orosy et al.

[11] Patent Number: **Des. 326,017**

[45] Date of Patent: **\*\* May 12, 1992**

[54] **TRAVEL RAZOR SET**

[75] Inventors: **Gary D. J. Orosy**, Franklin, Mass.;  
**Frederick B. Hadtke**, New Providence, N.J.; **Paul D. Miller**, New York, N.Y.

[73] Assignee: **The Gillette Company**, Boston, Mass.

[\*\*] Term: **14 Years**

[21] Appl. No.: **602,192**

[22] Filed: **Oct. 22, 1990**

[52] U.S. Cl. .... **D3/39; D3/71**

[58] Field of Search ..... **D3/10, 39, 40, 71; D6/513, 524, 528; D28/9, 44, 73; D9/341, 342; 132/286, 289; 190/100, 108, 109, 111, 112, 901, 903; 206/208, 228, 353, 581, 235, 823, 570; 224/307, 318, 42.11, 42.42; 150/106, 112, 158, 161, 165, 961**

[56] **References Cited**

**U.S. PATENT DOCUMENTS**

D. 90,721	9/1933	Lewis .....	D3/39
D. 290,786	7/1987	Townley .....	D3/39
818,412	4/1906	Byrne .	
1,867,347	7/1932	Blair .	
2,038,319	4/1936	Stanley .	

2,293,319	8/1942	Beehler .	
3,504,787	4/1970	Brockway .....	206/570
3,726,329	4/1973	Dean .	
3,955,728	5/1976	Jackson .....	224/31
4,339,061	7/1982	Dunn .....	224/42.42
4,917,160	4/1990	Hart .....	150/106

**FOREIGN PATENT DOCUMENTS**

446085	1/1948	Canada .....	206/228
621924	4/1949	United Kingdom .....	190/108

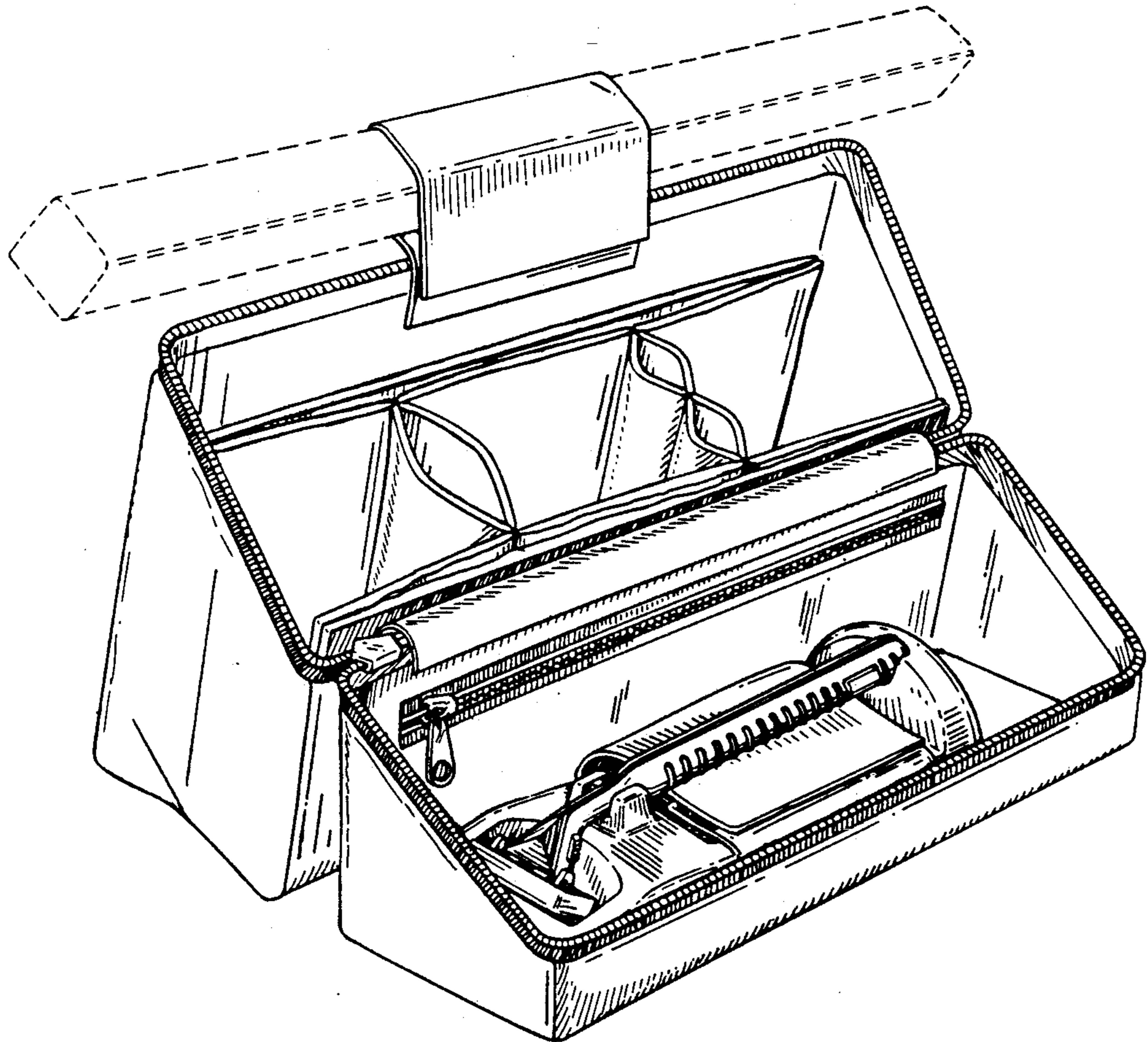
*Primary Examiner*—Louis S. Zarfes  
*Attorney, Agent, or Firm*—Fish & Richardosn

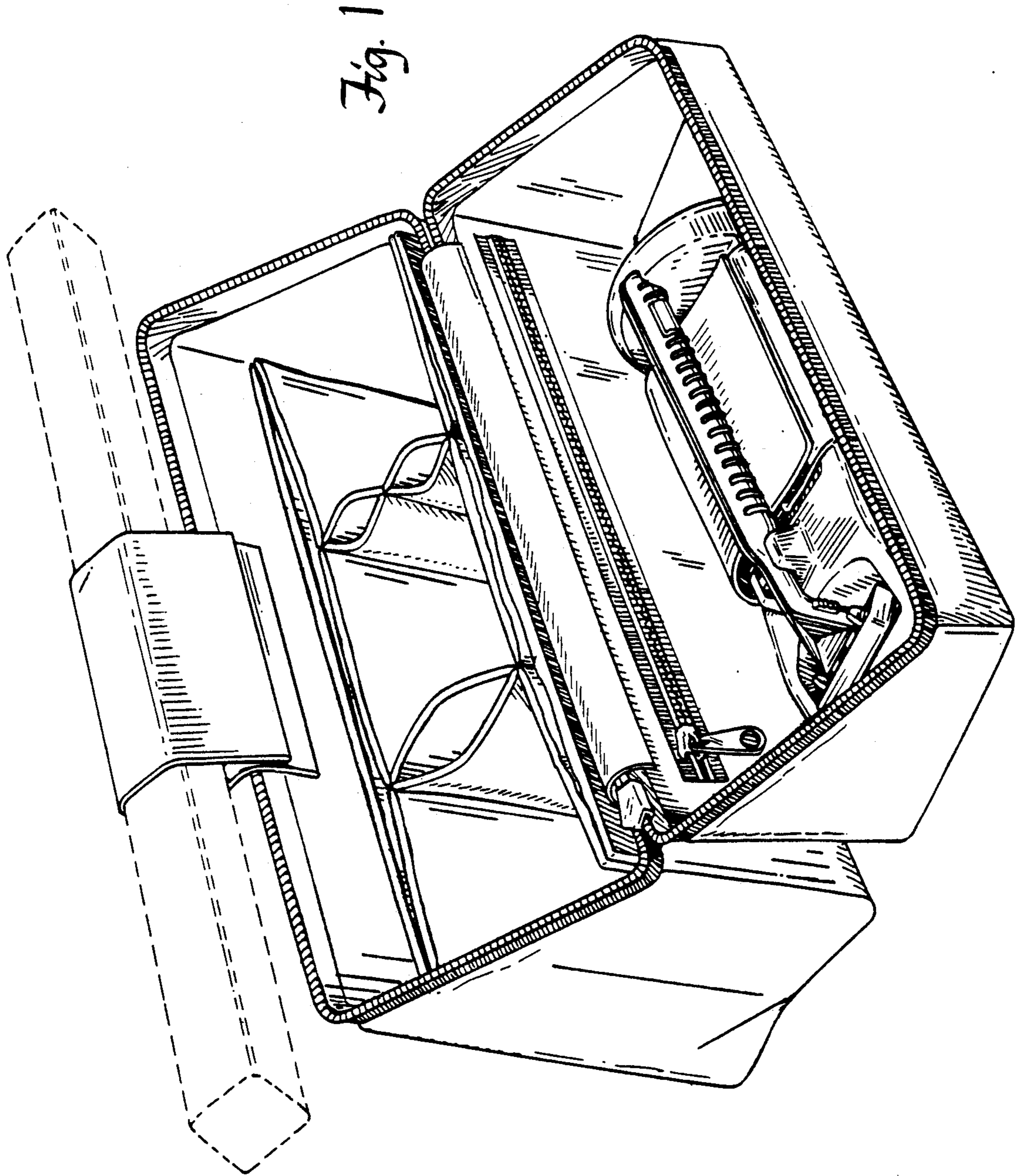
[57] **CLAIM**

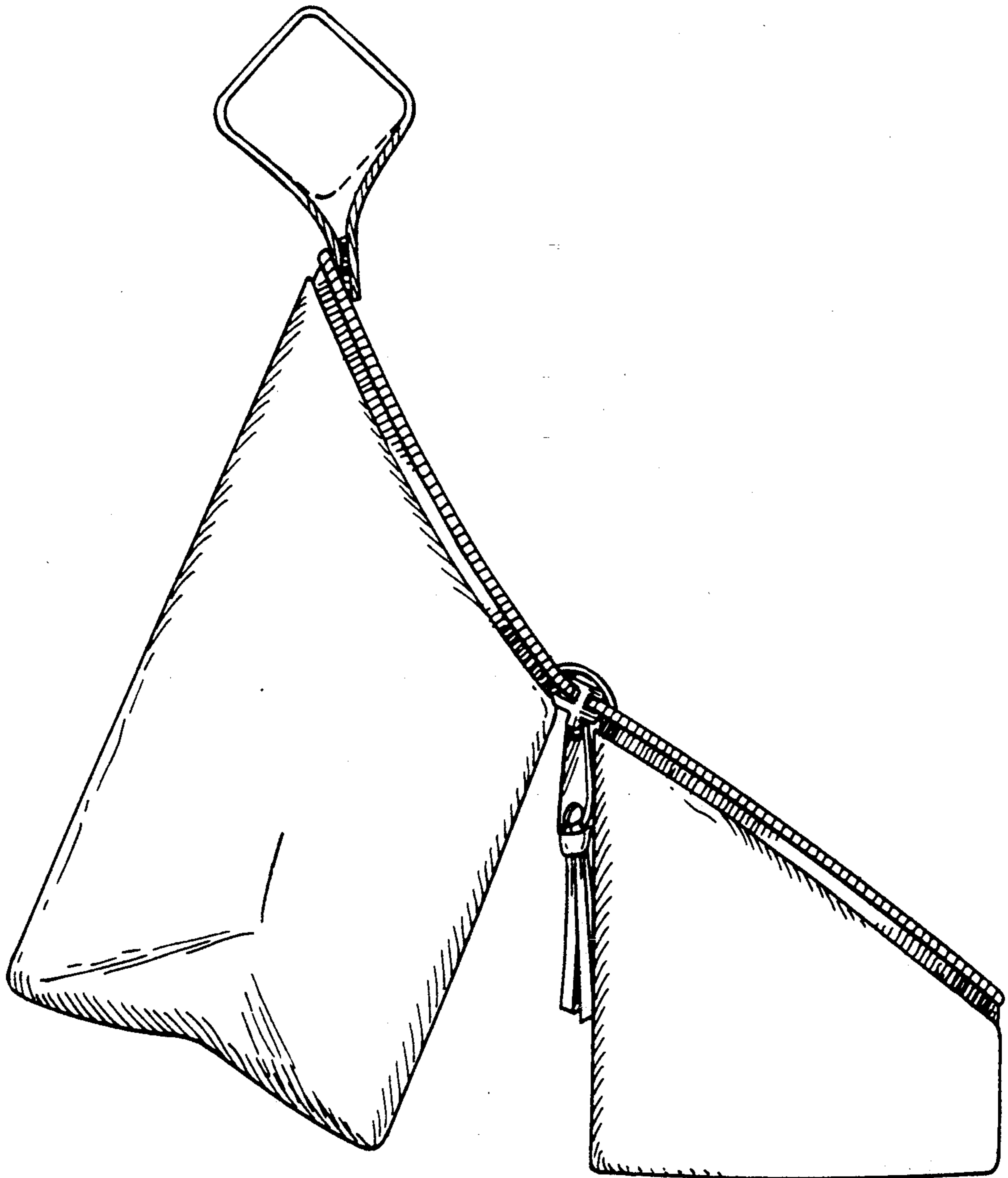
The ornamental travel razor set, as shown and described.

**DESCRIPTION**

FIG. 1 is a perspective view of a travel razor set, showing our new design;  
FIG. 2 is a side elevational view thereof, the opposite side being substantially a mirror image thereof;  
FIG. 3 is a top plan view thereof; and,  
FIG. 4 is a bottom perspective view thereof.  
The broken line showing of a horizontal support bar in FIGS. 1 and 2 is for illustrative purposes only and forms no part of the claimed design.







*Fig. 2*

Fig. 3

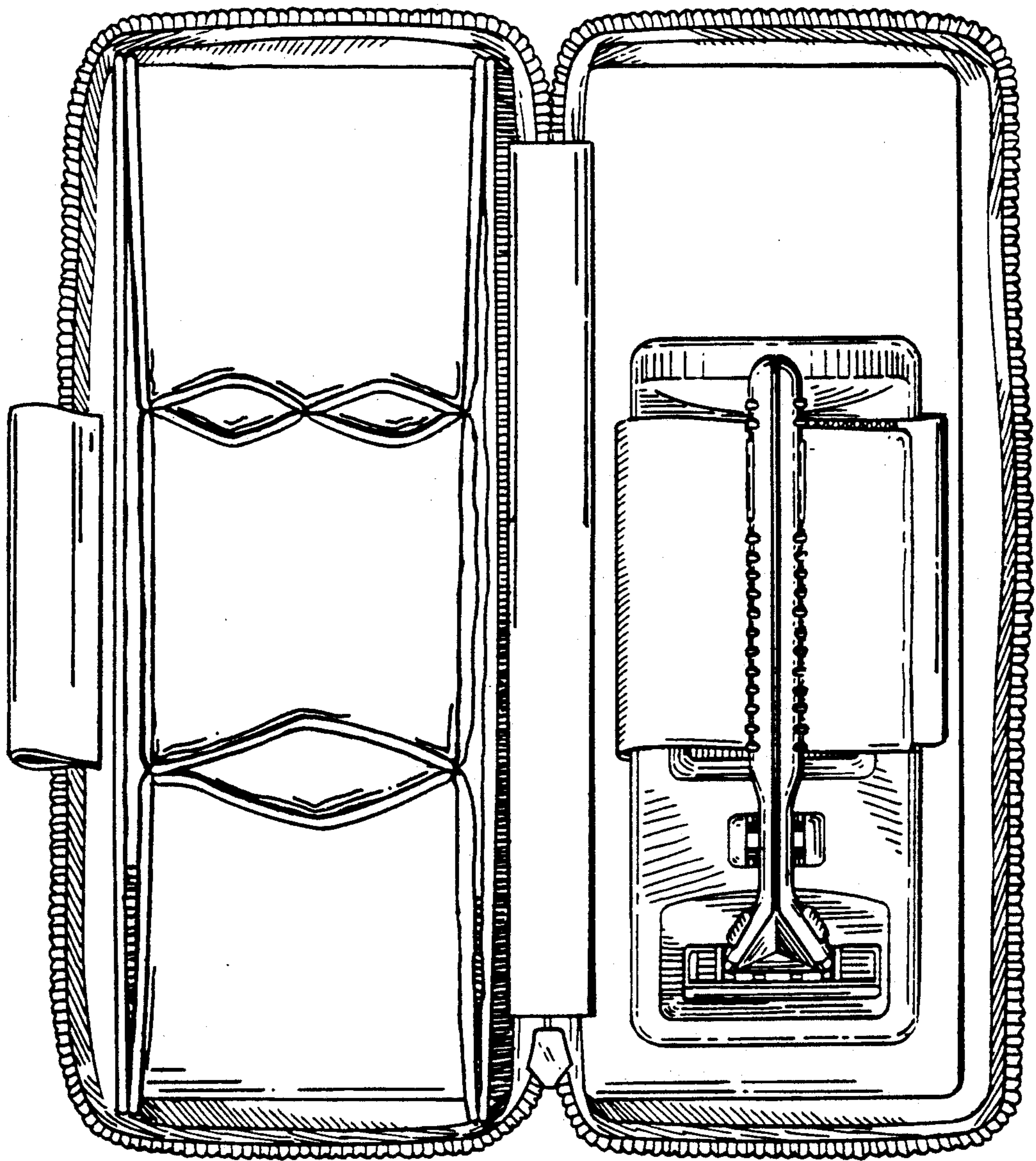


Fig. 4

