



US00D326008S

United States Patent [19]

[11] Patent Number: Des. 326,008

Dempsey

[45] Date of Patent: ** May 5, 1992

[54] STAND FOR A CORDLESS ELECTRIC IRON

[75] Inventor: Mark Dempsey, London, England

[73] Assignee: Housemate Appliances Limited,
Cornwall, England

[**] Term: 14 Years

[21] Appl. No.: 299,518

[22] Filed: Jan. 23, 1989

[30] Foreign Application Priority Data

Jul. 21, 1988 [GB] United Kingdom 1052473

[52] U.S. Cl. D32/73

[58] Field of Search D32/66, 71, 73;
38/103-104, 106-107, 112, 137, 139-142;
248/117.1-117.7

[56] References Cited

U.S. PATENT DOCUMENTS

2,817,170 12/1957 Skeleton et al. D32/66 X

2,900,748 8/1959 Magee 248/117.1 X

Primary Examiner—Wallace R. Burke
Assistant Examiner—Lavone D. Tabor
Attorney, Agent, or Firm—Banner, Birch, McKie &
Beckett

[57] CLAIM

The ornamental design for a stand for a cordless electric iron, as shown and described.

DESCRIPTION

FIG. 1 is a top and end perspective view of a stand for a cordless electric iron showing my new design; FIG. 2 is a top plan view thereof; FIG. 3 is a perspective view as seen from the right of FIG. 1; and, FIG. 4 is a perspective view as seen from the left of FIG. 1.

The undisclosed bottom is unornamented and follows the contour shown in FIG. 4. The fragmentary broken line showing of an ironing board is for illustrative purposes only and forms no part of the claimed design.

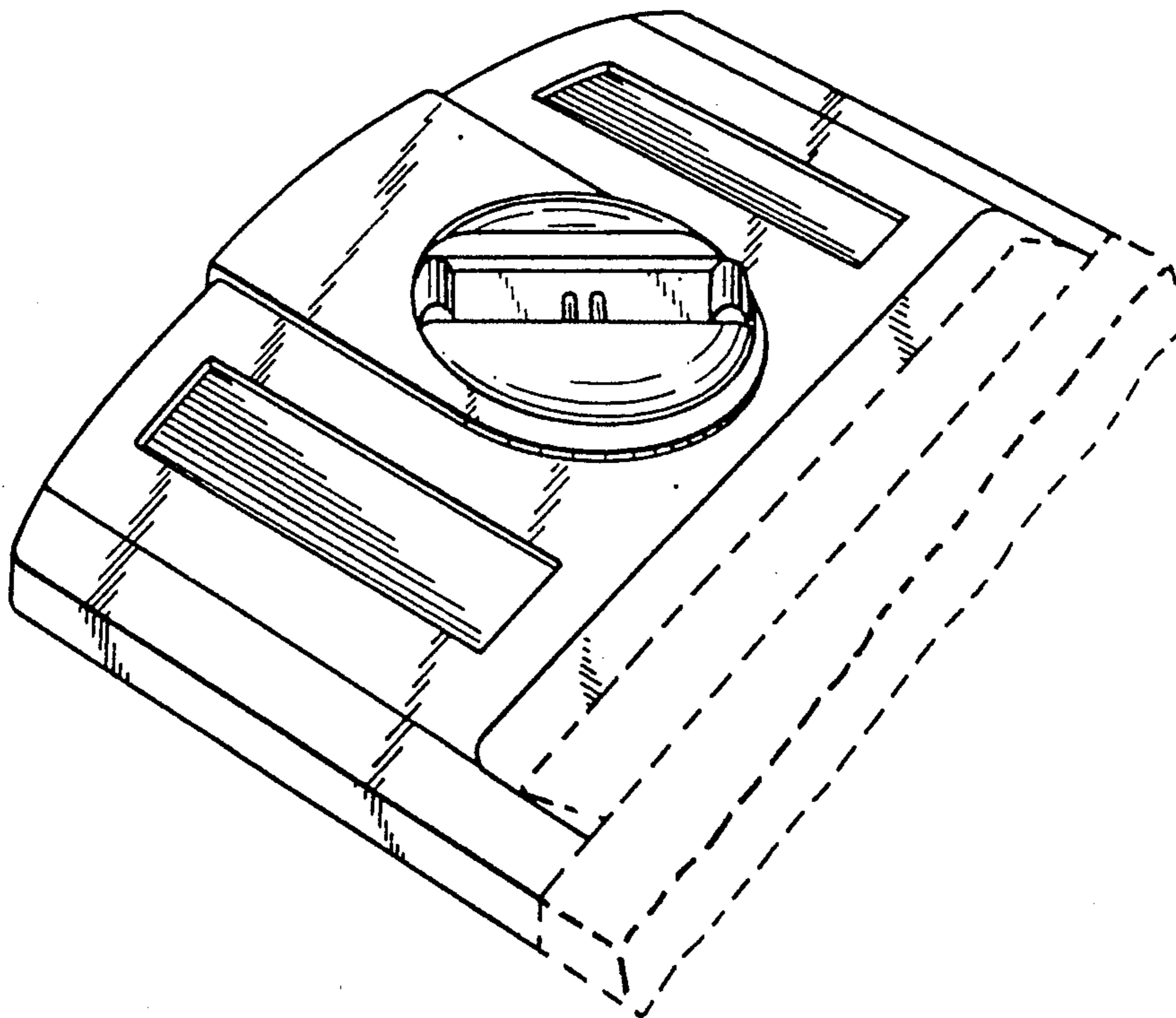
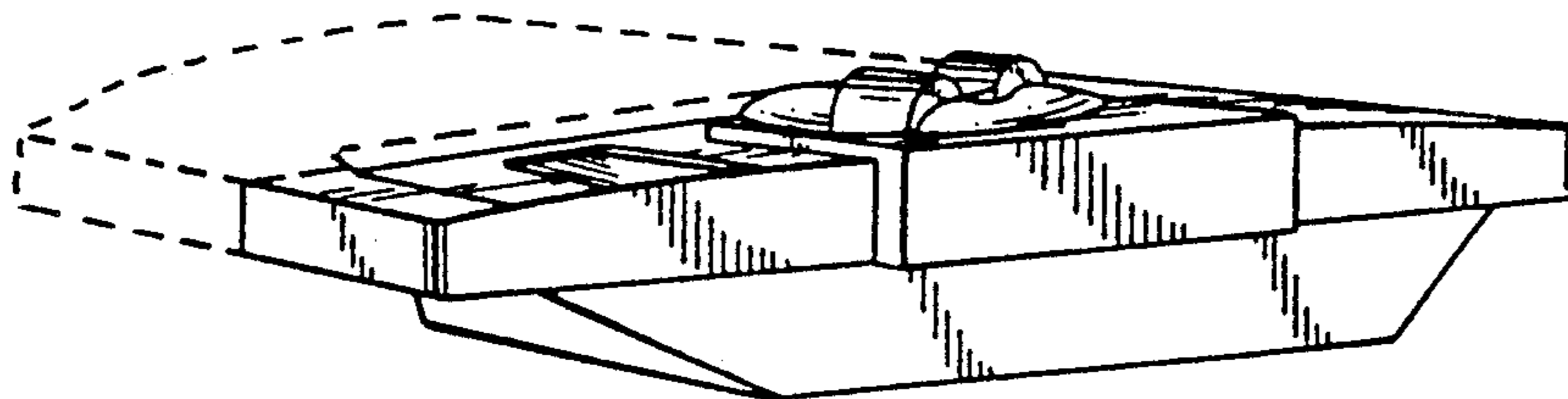


FIG. 1

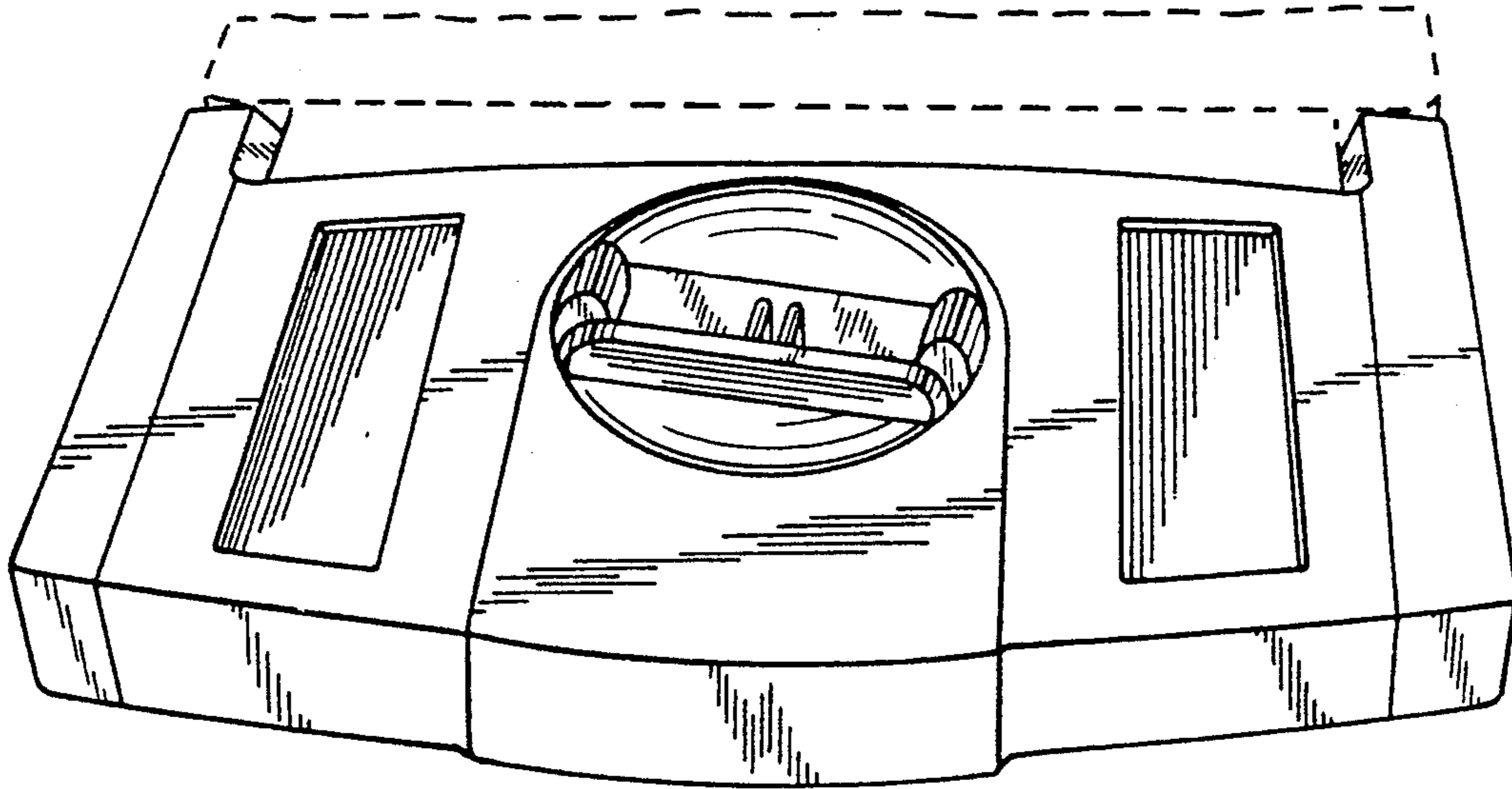


FIG. 2

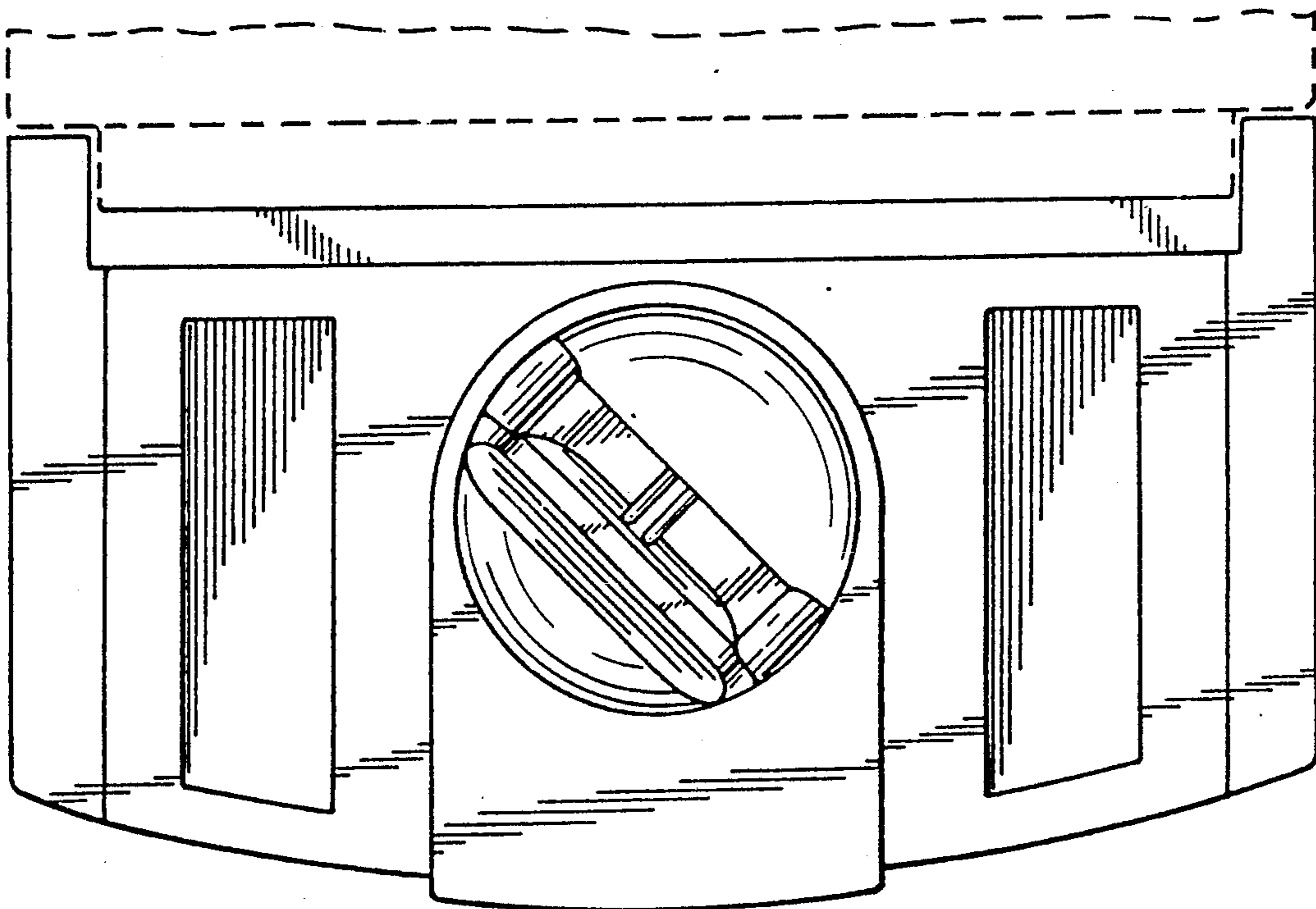


FIG. 3

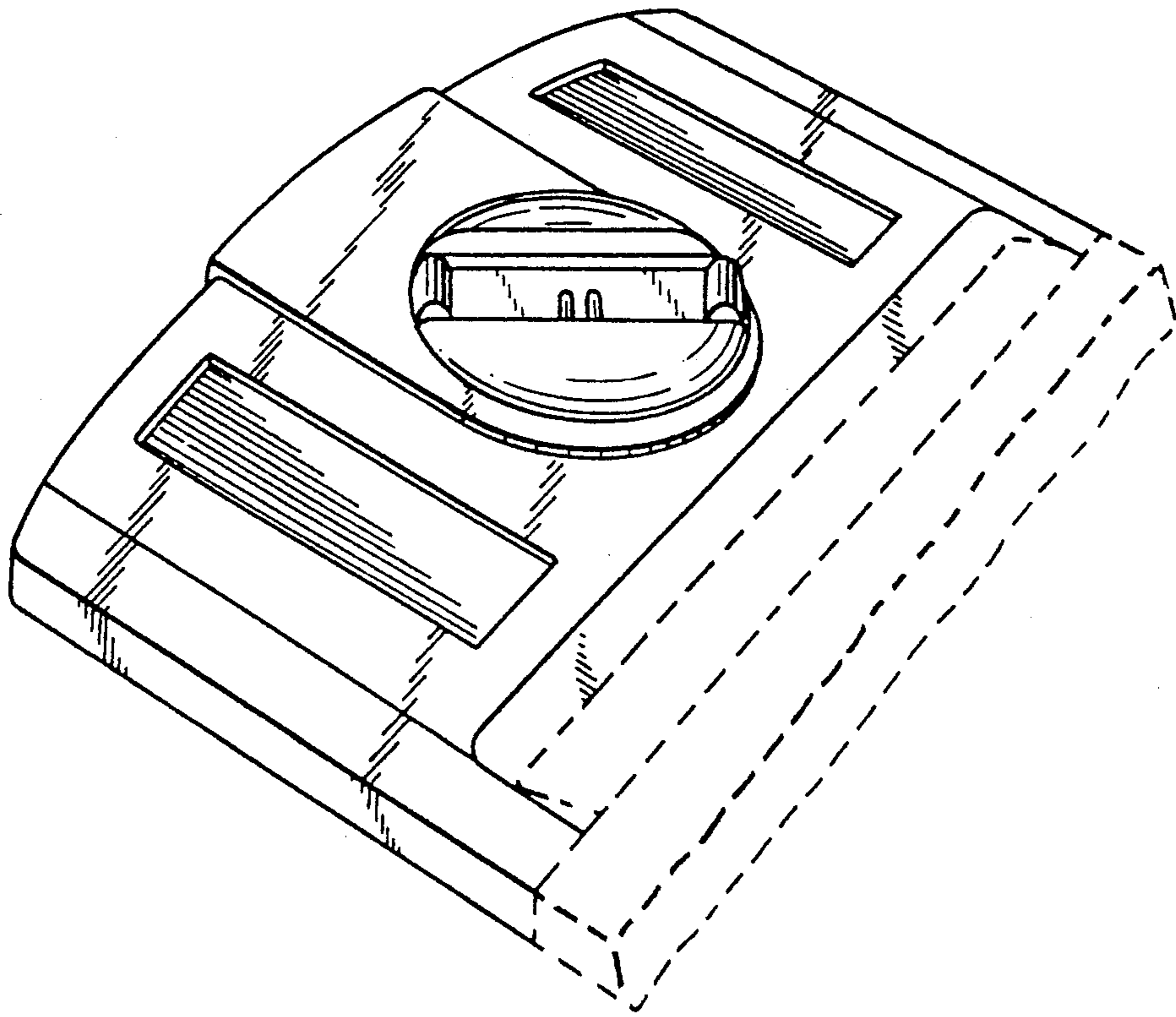


FIG. 4

