



US00D326006S

United States Patent [19]

[11] Patent Number: **Des. 326,006**

Moine

[45] Date of Patent: **** May 5, 1992**

[54] MAIN BODY OF A VACUUM CLEANER

[75] Inventor: **David W. Moine**, North Canton, Ohio

[73] Assignee: **The Hoover Company**, North Canton, Ohio

[**] Term: **14 Years**

[21] Appl. No.: **632,512**

[22] Filed: **Dec. 24, 1990**

[52] U.S. Cl. **D32/32**

[58] Field of Search **D32/21, 22, 32-33; 15/412, 415.1, 422, 325, 350, 351**

D. 180,394	6/1957	Dreyfuss	D32/22
D. 213,132	1/1969	Gantz et al.	D32/22
D. 248,104	6/1978	Clowers et al. .	
D. 262,539	1/1982	Wareham	D32/22
D. 275,428	9/1984	Wareham	D32/22
D. 293,727	1/1988	Wareham et al.	D32/22
D. 307,069	4/1990	Kieft	D32/22

Primary Examiner—A. Hugo Word

Assistant Examiner—Ruth McInroy

[57] CLAIM

The ornamental design for a main body of a main body of a vacuum cleaner, as shown and described.

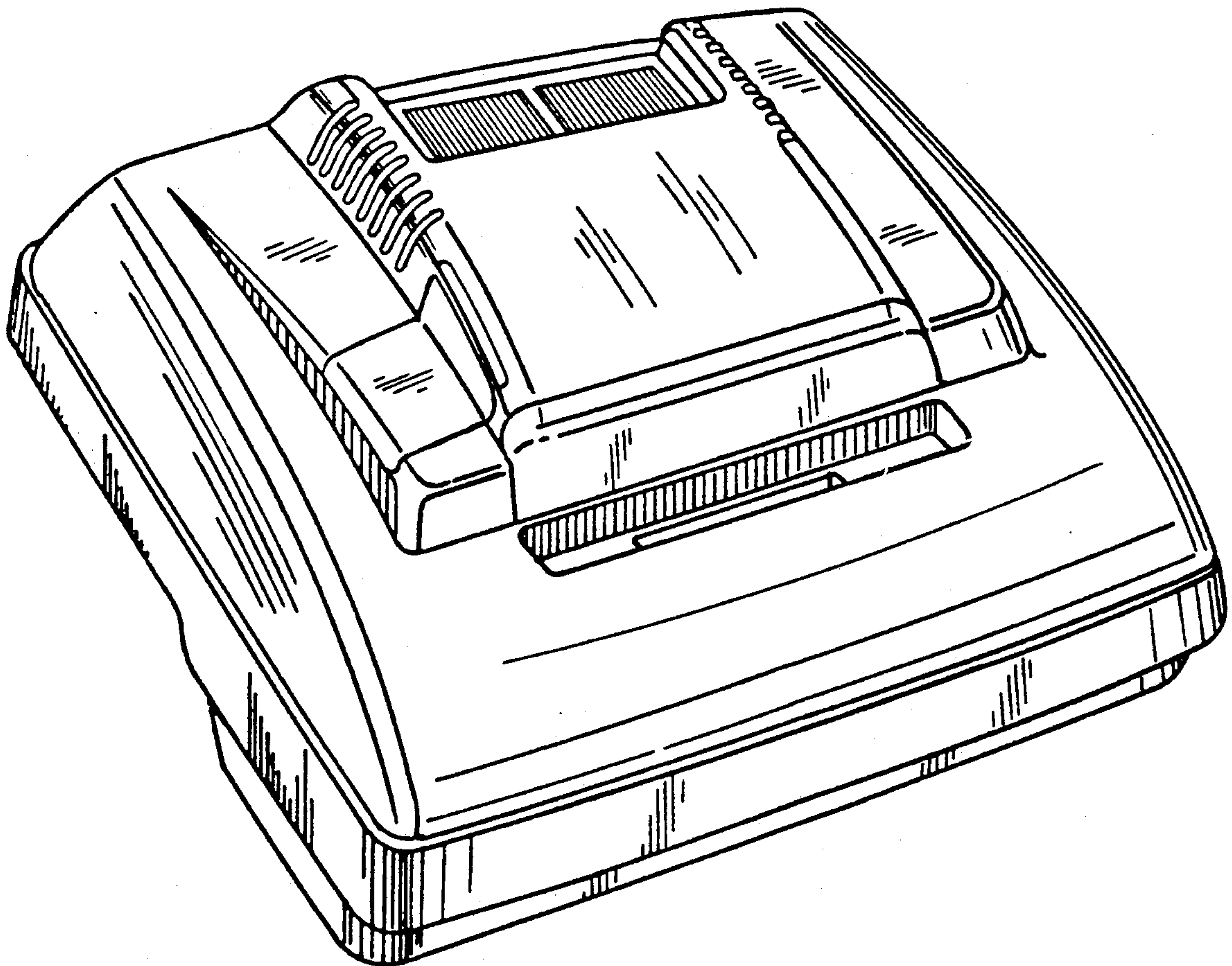
DESCRIPTION

FIG. 1 is a left front perspective view of a main body of a vacuum cleaner showing my new design; FIG. 2 is a rear elevational view thereof; FIG. 3 is a front elevational view thereof; FIG. 4 is a right side elevational view thereof; FIG. 5 is a bottom plan view thereof; and, FIG. 6 is a top plan view thereof.

[56] References Cited

U.S. PATENT DOCUMENTS

D. 96,937	7/1935	Schaad	D32/22
D. 96,938	7/1935	Schaad	D32/22
D. 118,618	1/1940	Dreyfuss	D32/22
D. 179,664	2/1957	Statz .	



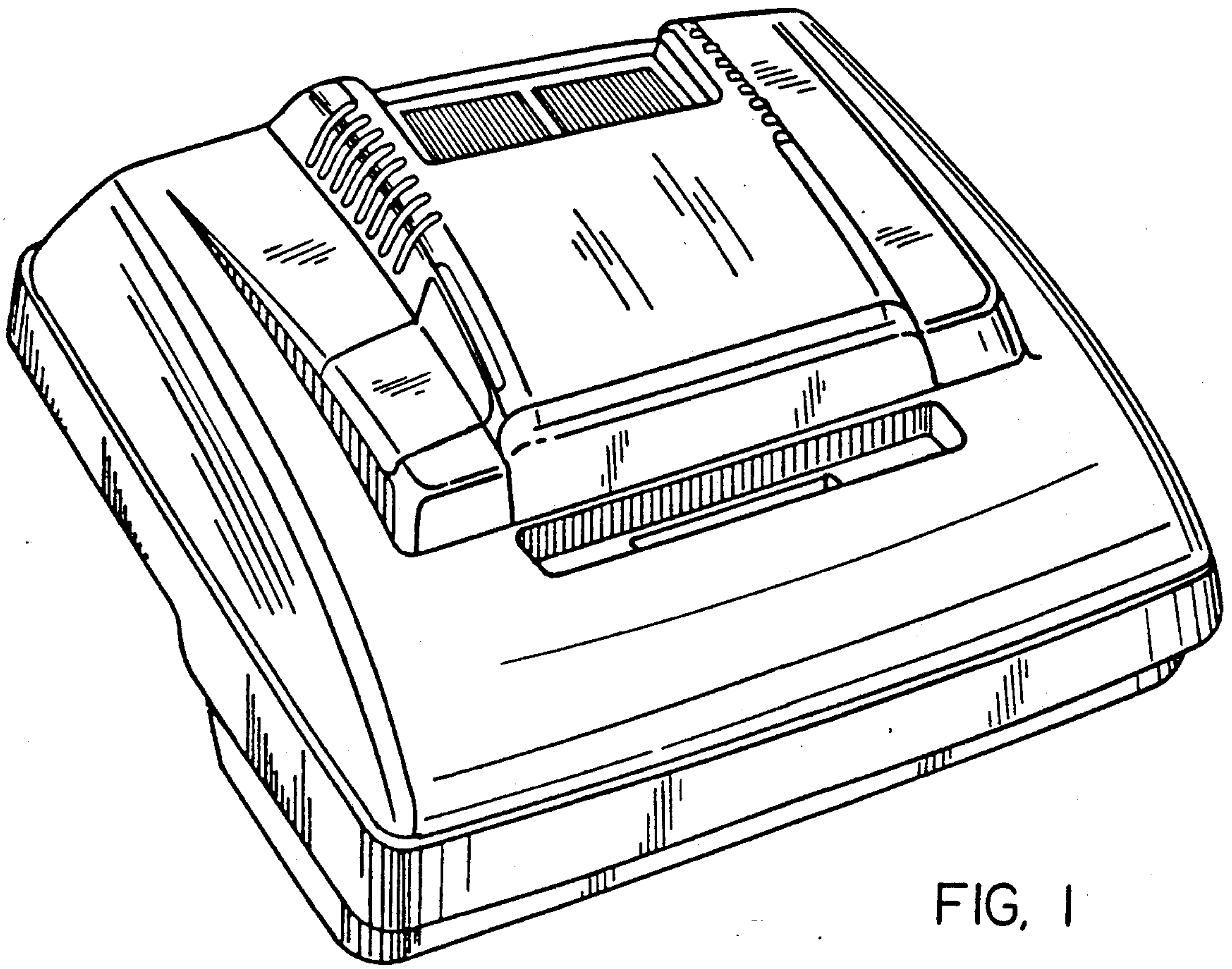


FIG. 1

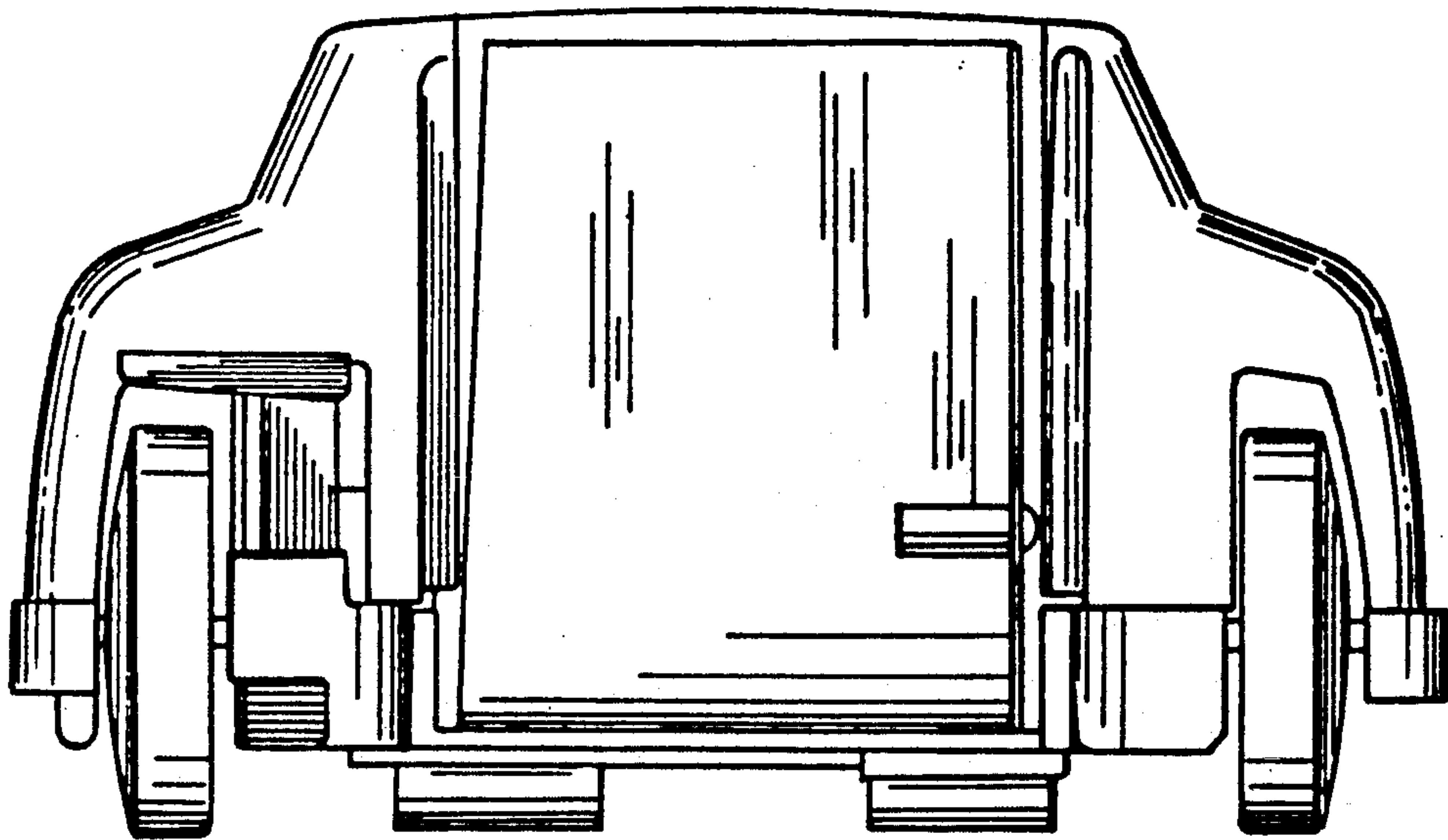
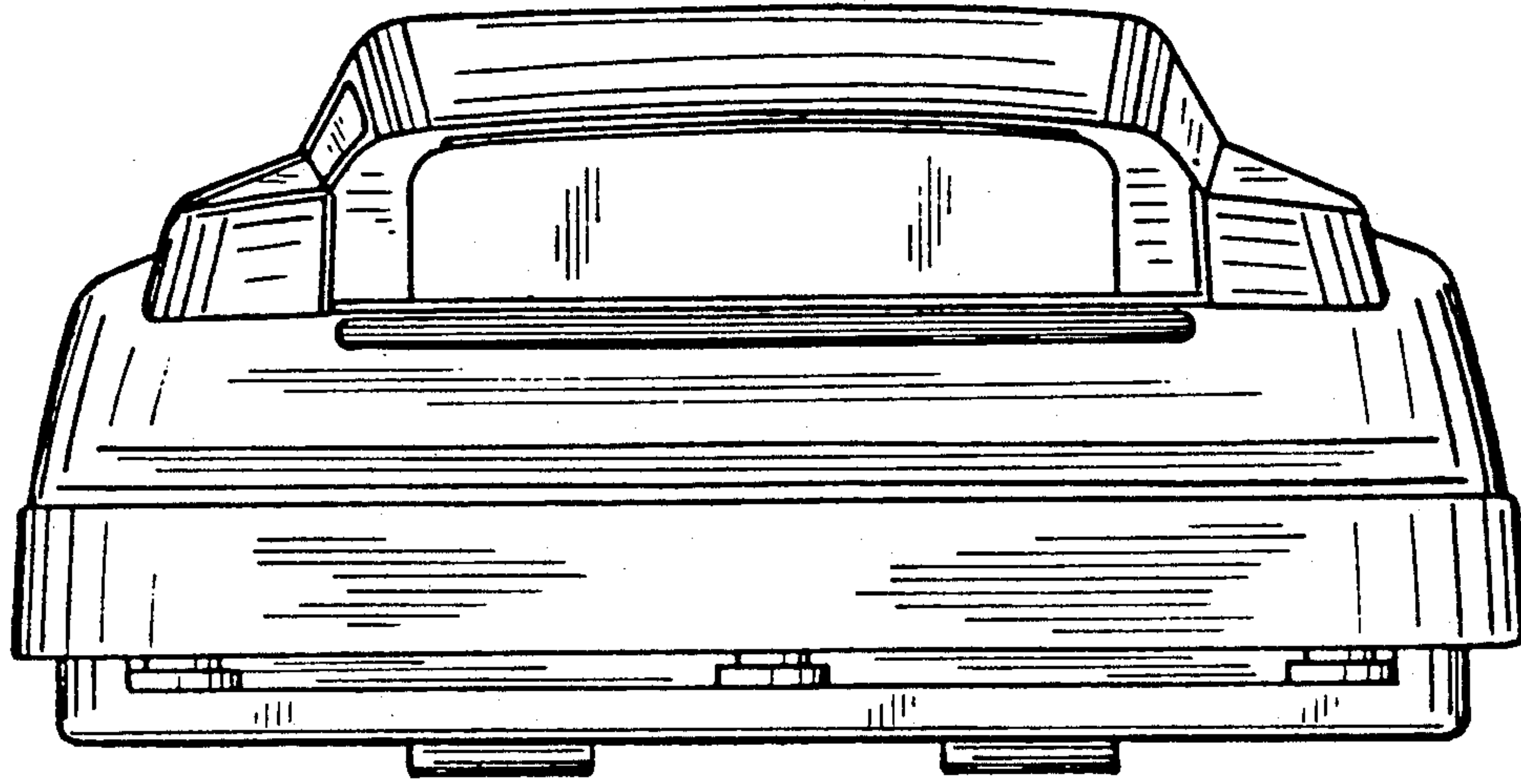
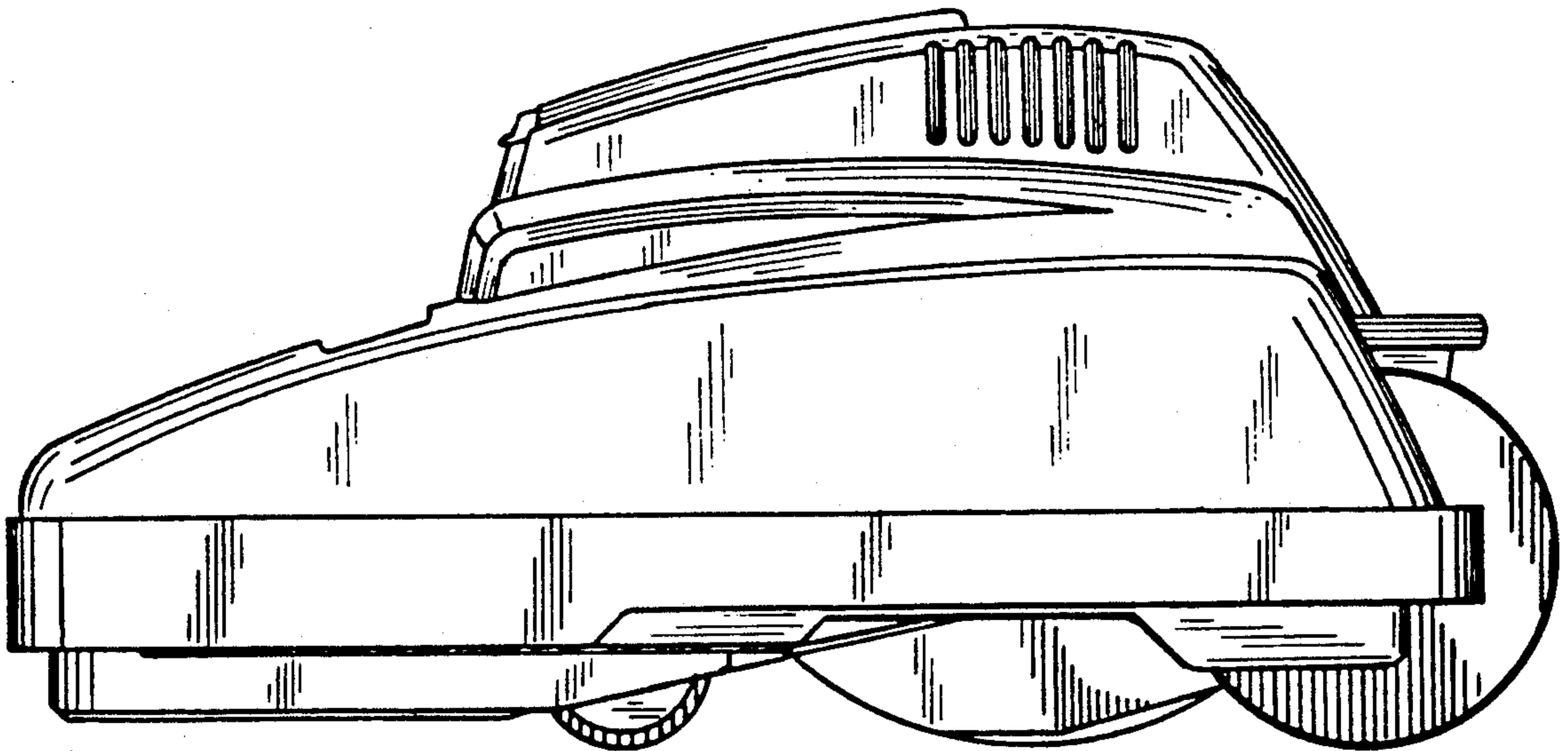


FIG. 2



FIG, 3



FIG, 4

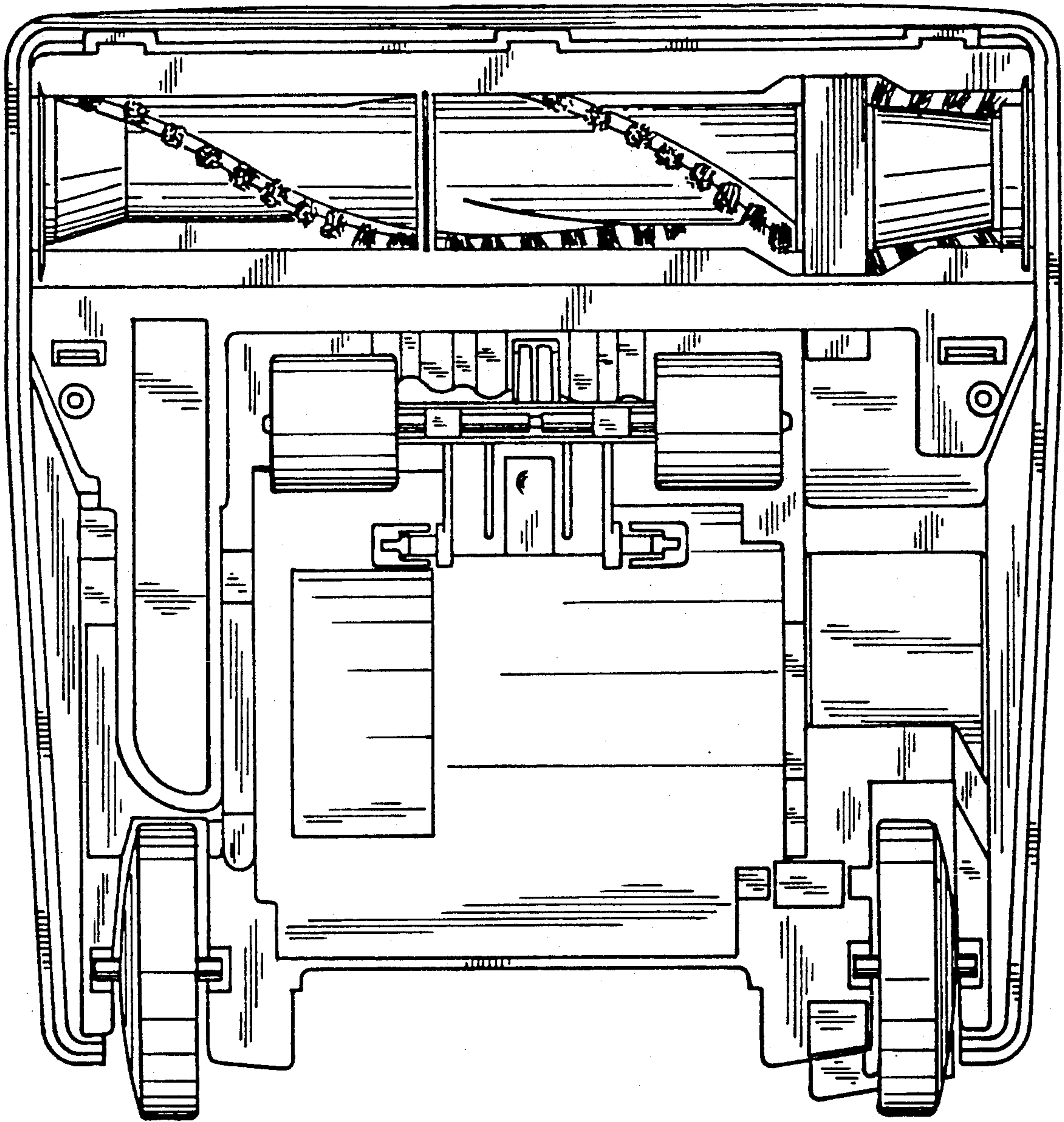


FIG. 5

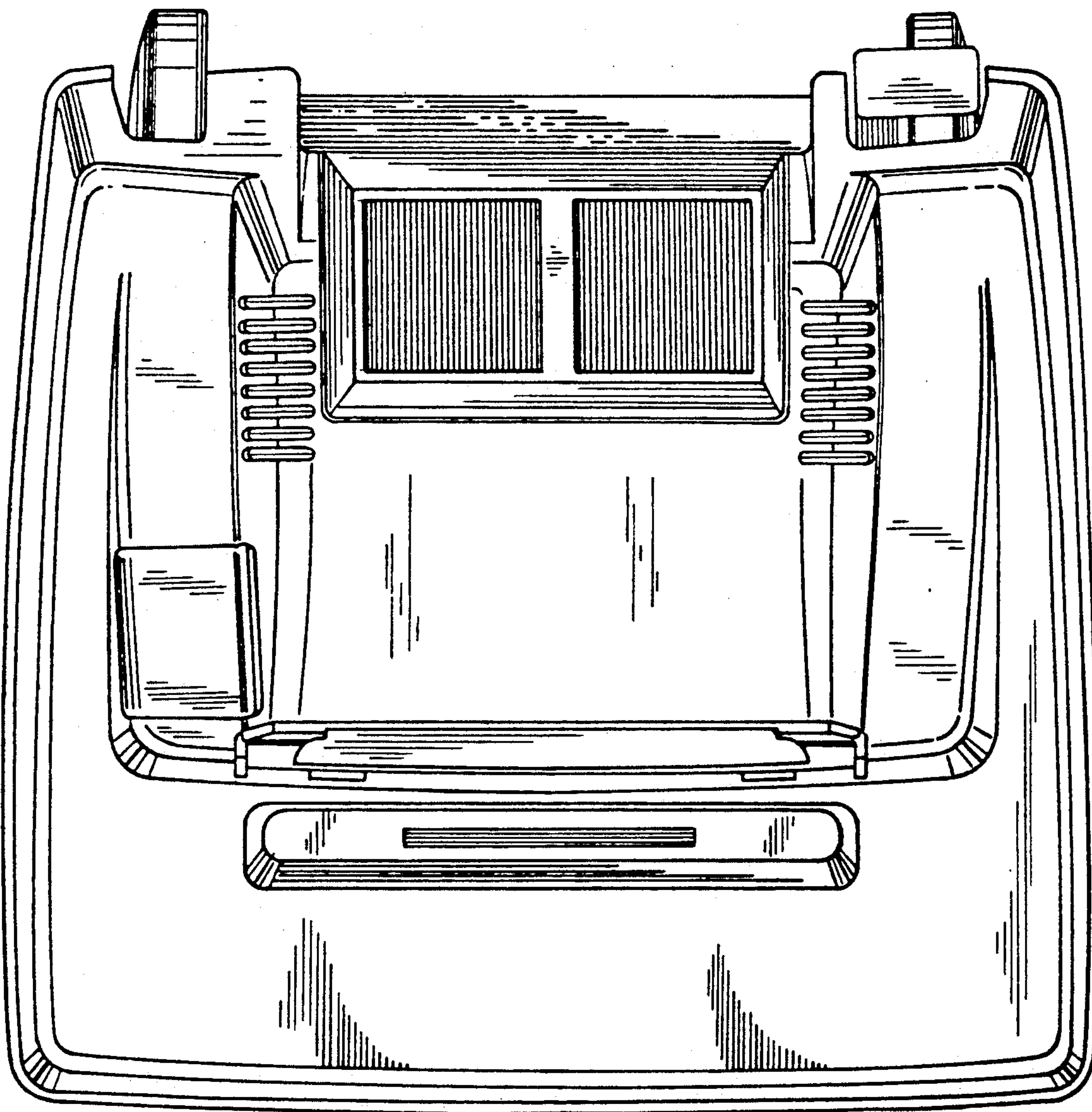


FIG. 6