



US00D326003S

# United States Patent [19]

[11] Patent Number: **Des. 326,003**

Embree

[45] Date of Patent: **\*\* May 5, 1992**

[54] **BIRD FEEDER**

[75] Inventor: **Donald Embree, Uniontown, Ohio**

[73] Assignee: **Rubbermaid Incorporated, Wooster, Ohio**

[\*] Notice: The portion of the term of this patent subsequent to May 1, 2004 has been disclaimed.

[\*\*] Term: **14 Years**

[21] Appl. No.: **365,233**

[22] Filed: **Jun. 12, 1989**

[52] U.S. Cl. .... **D30/128**

[58] Field of Search ..... **D30/121, 122, 124-128, D30/133; D6/520, 523; 119/18, 24, 25, 26, 29, 48, 49, 51.03, 52.1, 52.2, 52.3, 55, 57.8, 57.9, 61, 69, 72, 75**

[56] **References Cited**

**U.S. PATENT DOCUMENTS**

D. 174,139	3/1955	Sadler	.....	D30/128
D. 200,778	4/1965	Pregont	.....	D30/128
D. 217,470	5/1970	Morrow	.....	D30/128
D. 234,521	3/1975	Fry	.....	D30/126
D. 234,522	3/1975	Fry	.....	D30/126
D. 234,703	4/1975	Fry	.....	D30/126
D. 241,860	10/1976	Calamia	.....	D30/128
D. 244,786	6/1977	Dryden	.....	D30/128
D. 273,429	4/1984	Kilham	.....	D30/128
D. 274,563	7/1984	Blasbalg	.....	D30/128
D. 290,414	6/1987	Gerber	.....	D30/128
D. 290,769	7/1987	Taylor	.....	D30/124
2,591,126	4/1952	Breck, Jr.	.....	119/52.2

2,789,534	4/1957	Landgraf	.....	119/52.1
2,987,041	6/1961	Bard	.....	D30/128
3,568,641	3/1971	Kilham	.....	119/57.8
3,832,977	9/1974	Ladewig et al.	.....	119/52.2
3,917,128	11/1975	Terry	.....	D30/128
4,327,669	5/1982	Blasbalg	.....	119/57.8

**FOREIGN PATENT DOCUMENTS**

390329	4/1933	United Kingdom	.....	119/57.8
948716	2/1964	United Kingdom	.....	119/52.2

**OTHER PUBLICATIONS**

The Alsto Company Handy Helpers; p. 33, item with pole, bottom right corner.  
Sell Sheet, Rubbermaid Incorporated, 1147 Akron Rd., Wooster, OH 44691, publication date Jan. 1988.

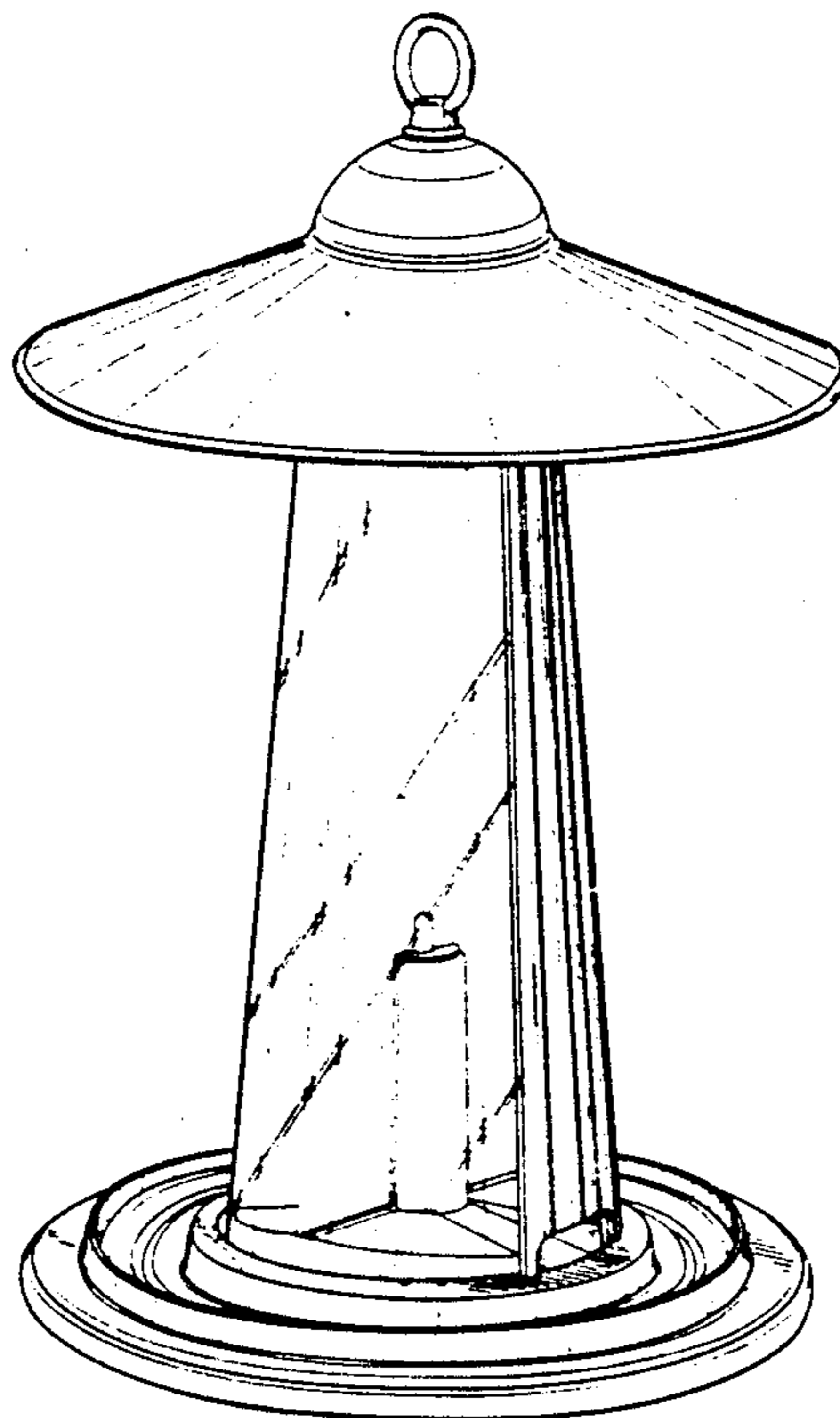
*Primary Examiner*—A. Hugo Word  
*Assistant Examiner*—Cathy Anne MacCormac  
*Attorney, Agent, or Firm*—Richard B. O'Planick

[57] **CLAIM**

The ornamental design for a bird feeder, as shown and described.

**DESCRIPTION**

FIG. 1 is a front perspective view of a bird feeder showing my new design;  
FIG. 2 is a top plan view thereof;  
FIG. 3 is a bottom plan view thereof;  
FIG. 4 is a front elevational view thereof; the rear being a mirror image of the front view shown;  
FIG. 5 is a side elevational view thereof; the opposite side being a mirror image of the side view shown; and,  
FIG. 6 is a cross-sectional view thereof taken along line 6-6 of FIG. 2.



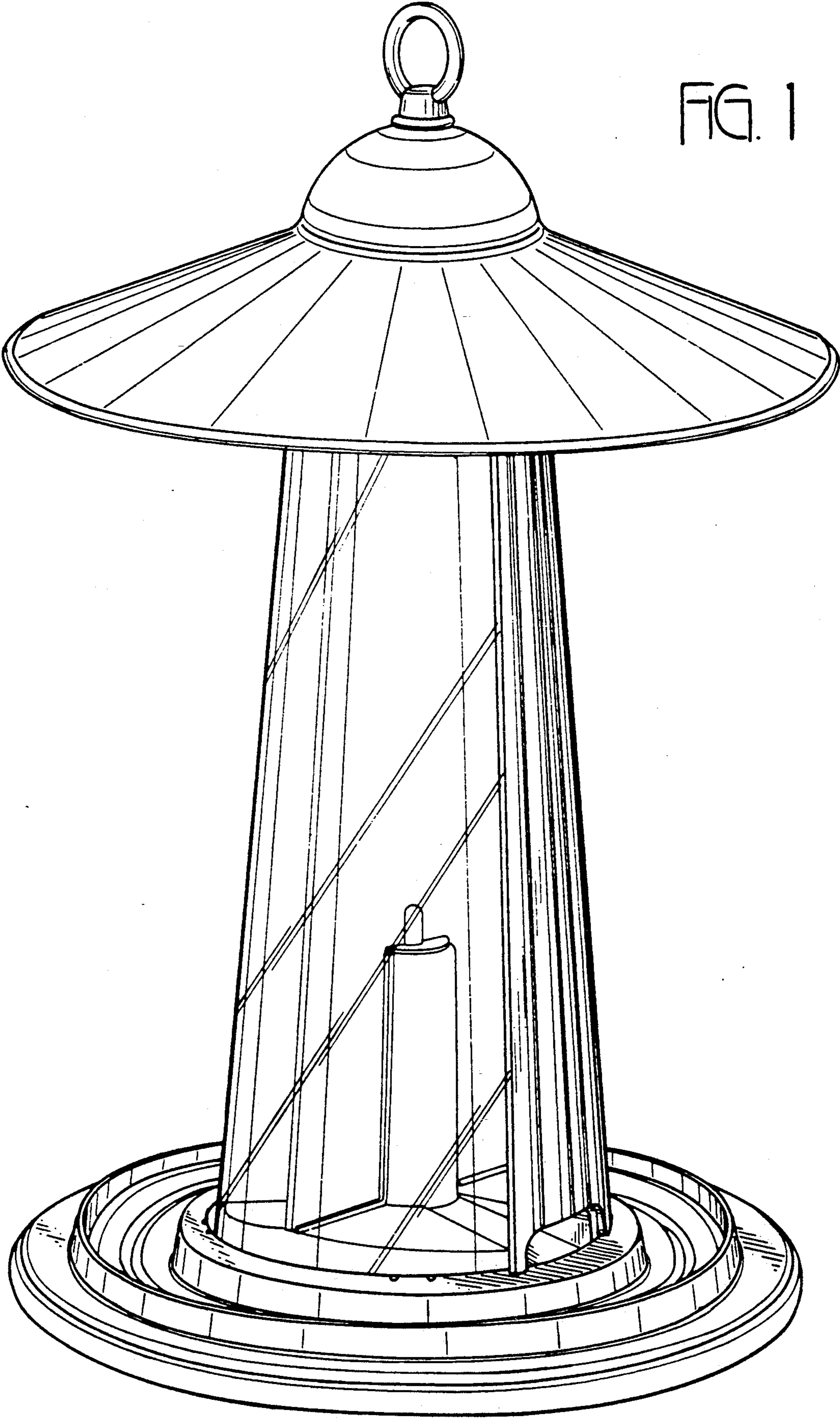


FIG. 1

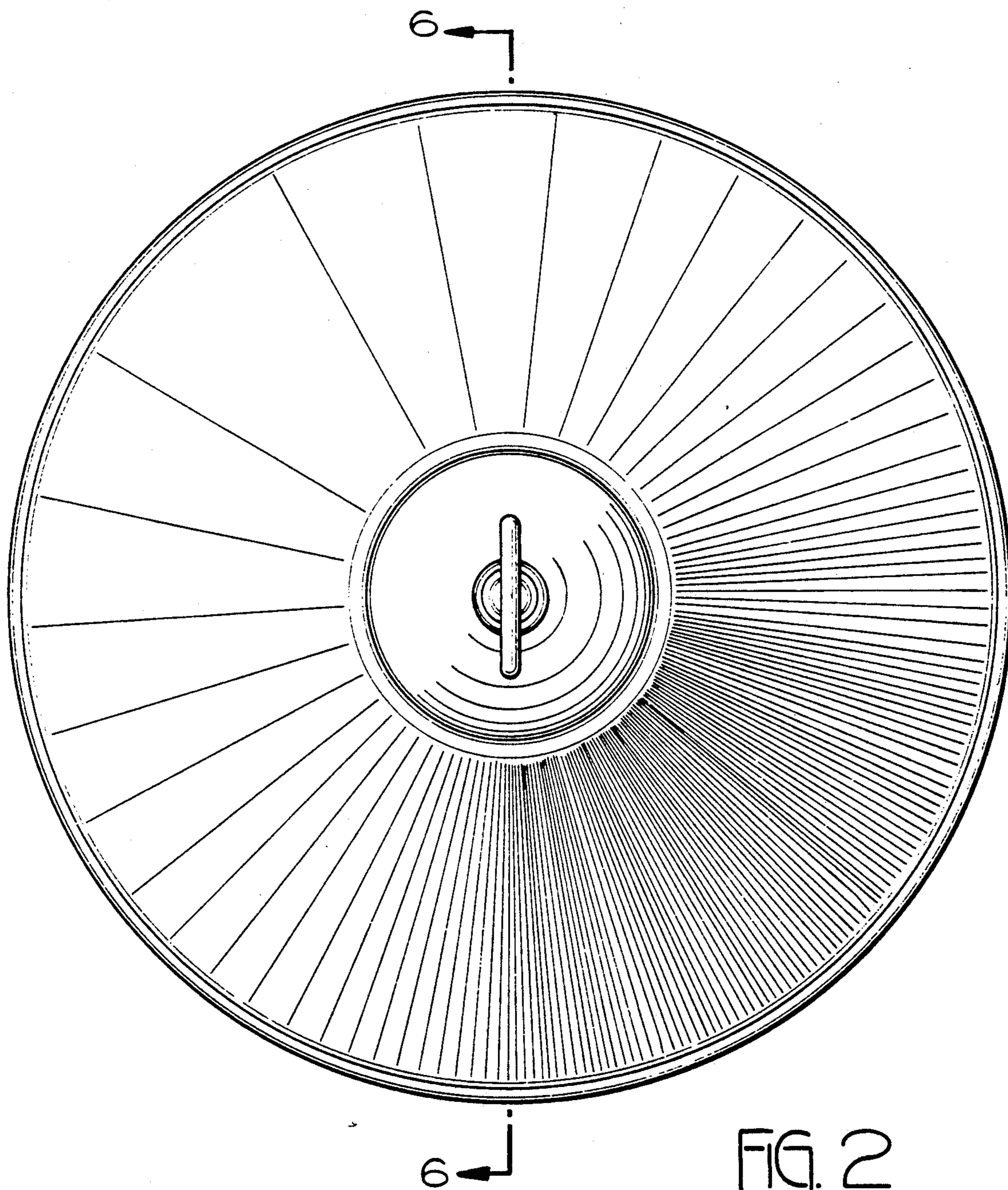


FIG. 2

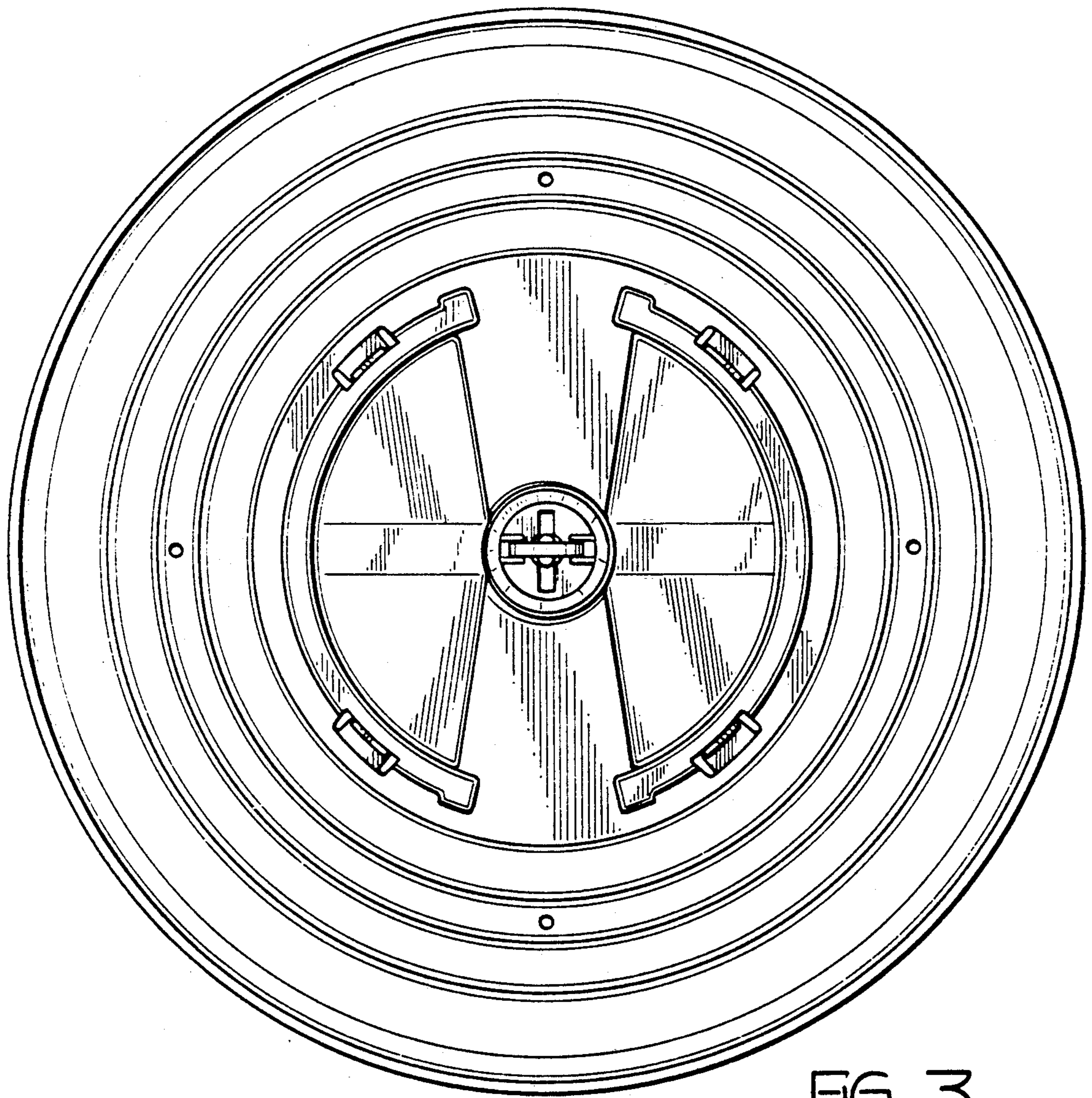


FIG. 3

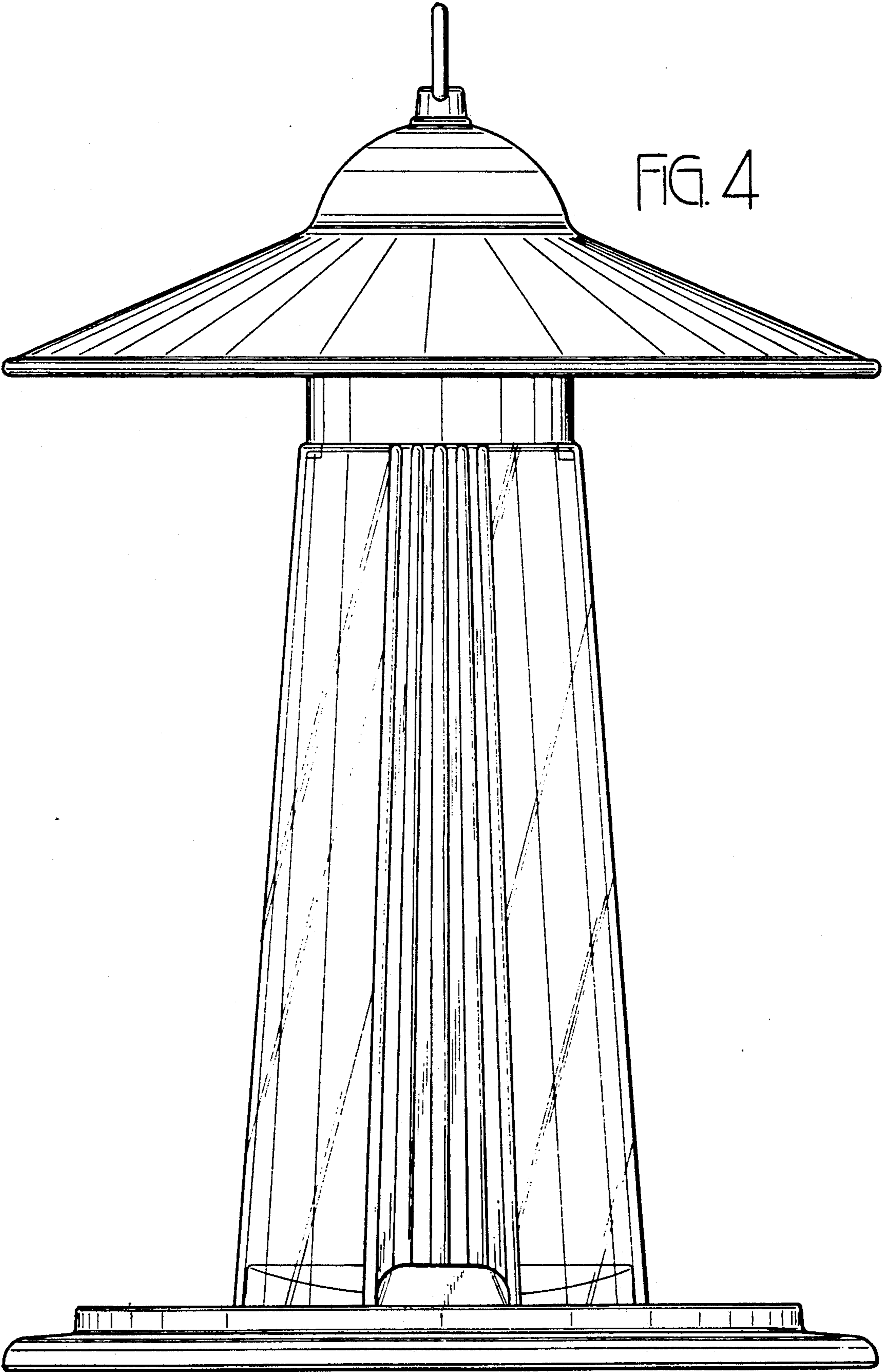


FIG. 4

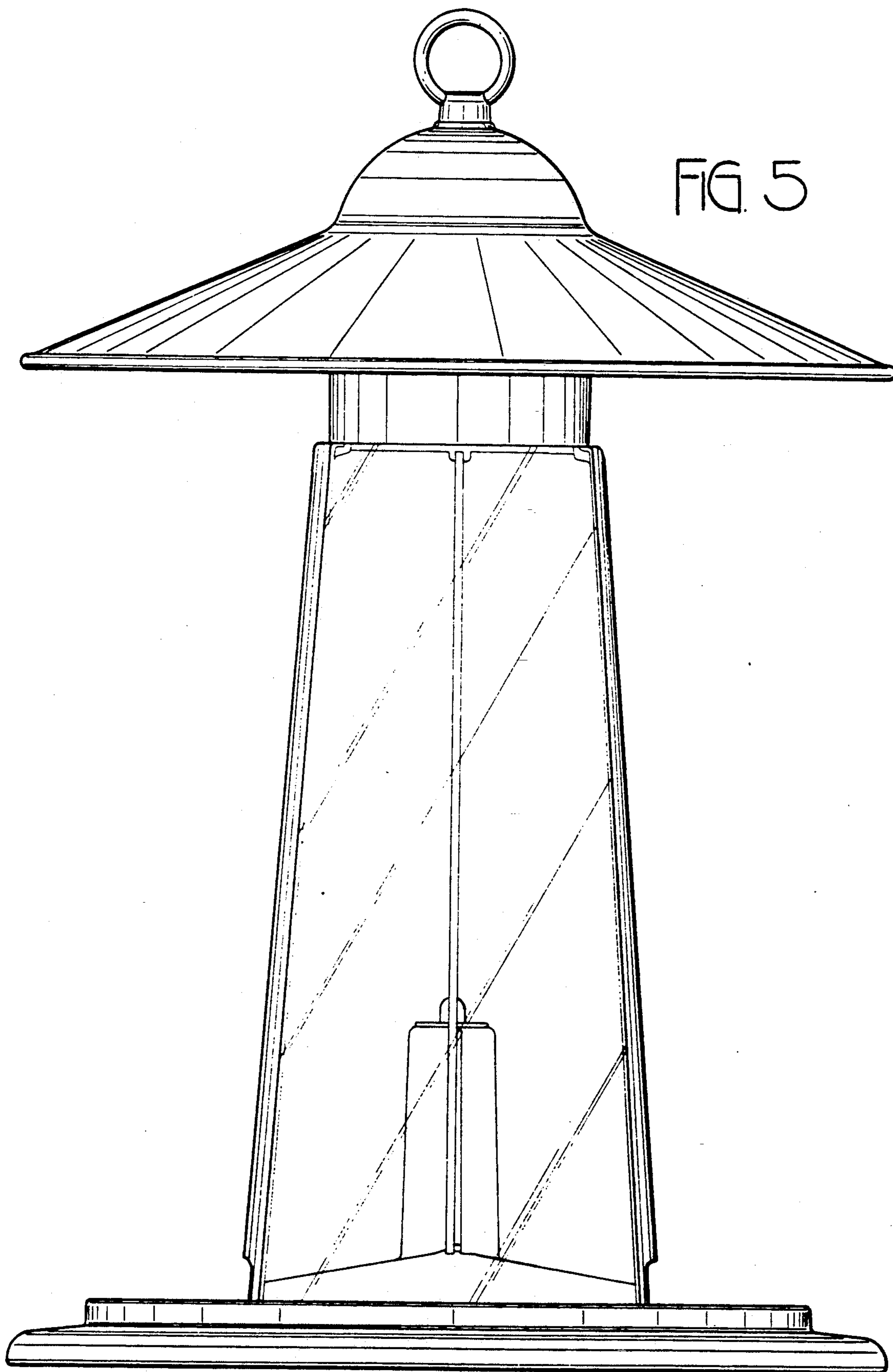


FIG. 5

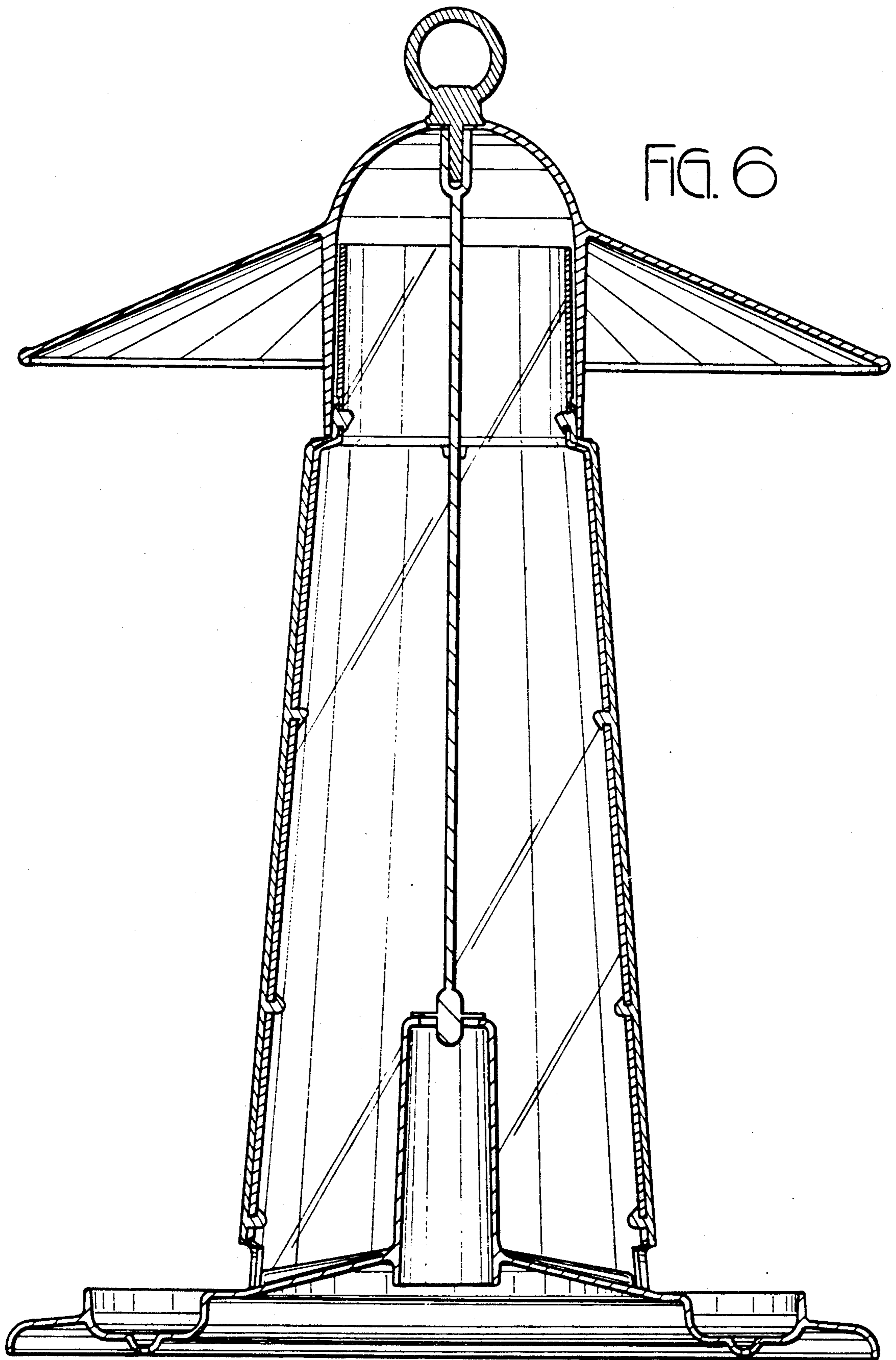


FIG. 6