



US00D325999S

United States Patent [19]

[11] Patent Number: **Des. 325,999**

Sonneman

[45] Date of Patent: **** May 5, 1992**

[54] TRIM FOR RECESSED LIGHTING FIXTURE OR THE LIKE

[56] References Cited

U.S. PATENT DOCUMENTS

[75] Inventor: **Robert A. Sonneman**, New York, N.Y.

D. 186,400	10/1959	Belau	D26/84
D. 240,320	6/1976	Anderson, Jr.	D26/85
2,675,466	4/1954	Baker	D26/74 X
2,836,708	5/1958	Bobrick	D26/74 X
4,703,406	10/1987	Elliott et al.	362/365

[73] Assignee: **Sonneman Design Group Inc.**, Long Island City, N.Y.

Primary Examiner—Susan J. Lucas
Attorney, Agent, or Firm—Gottlieb, Rackman & Reisman

[**] Term: **14 Years**

[57] CLAIM

The ornamental design for a trim for recessed lighting fixture or the like, as shown and described.

[21] Appl. No.: **403,801**

DESCRIPTION

[22] Filed: **Sep. 6, 1989**

[52] U.S. Cl. **D26/152; D26/74**

[58] Field of Search D26/74, 24, 72, 80-92, D26/138, 142, 149, 152, 153; 362/364, 365, 147, 362, 404-407, 408, 806, 432, 433, 434, 437, 453, 454, 457

FIG. 1 is a perspective view of a trim for recessed lighting fixture or the like showing my new design; FIG. 2 is a top plan view thereof on an enlarged scale; FIG. 3 is a front elevational view thereof on an enlarged scale, the rear and sides being identical; and, FIG. 4 is a bottom plan view thereof on an enlarged scale.

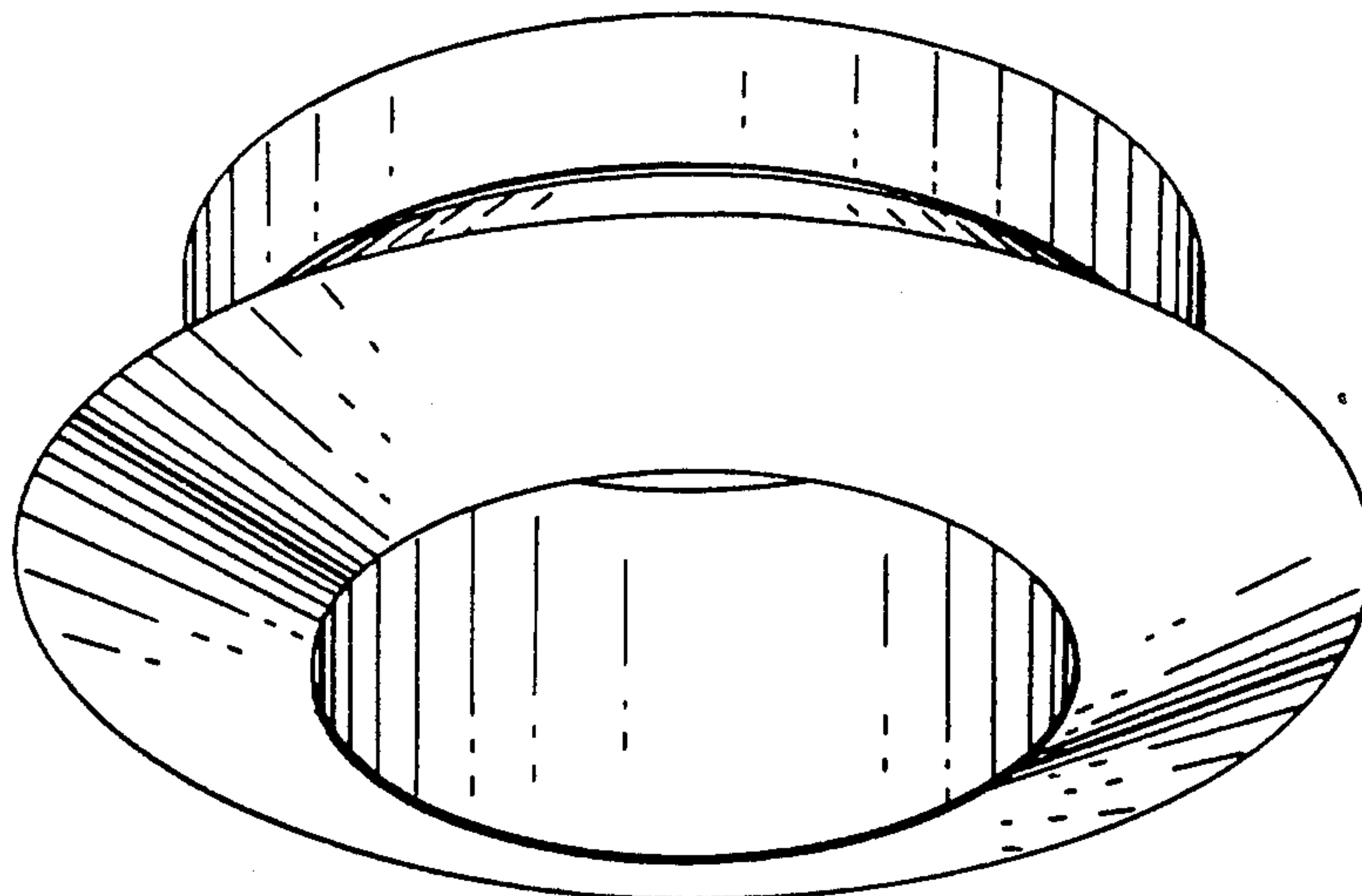


FIG. 1

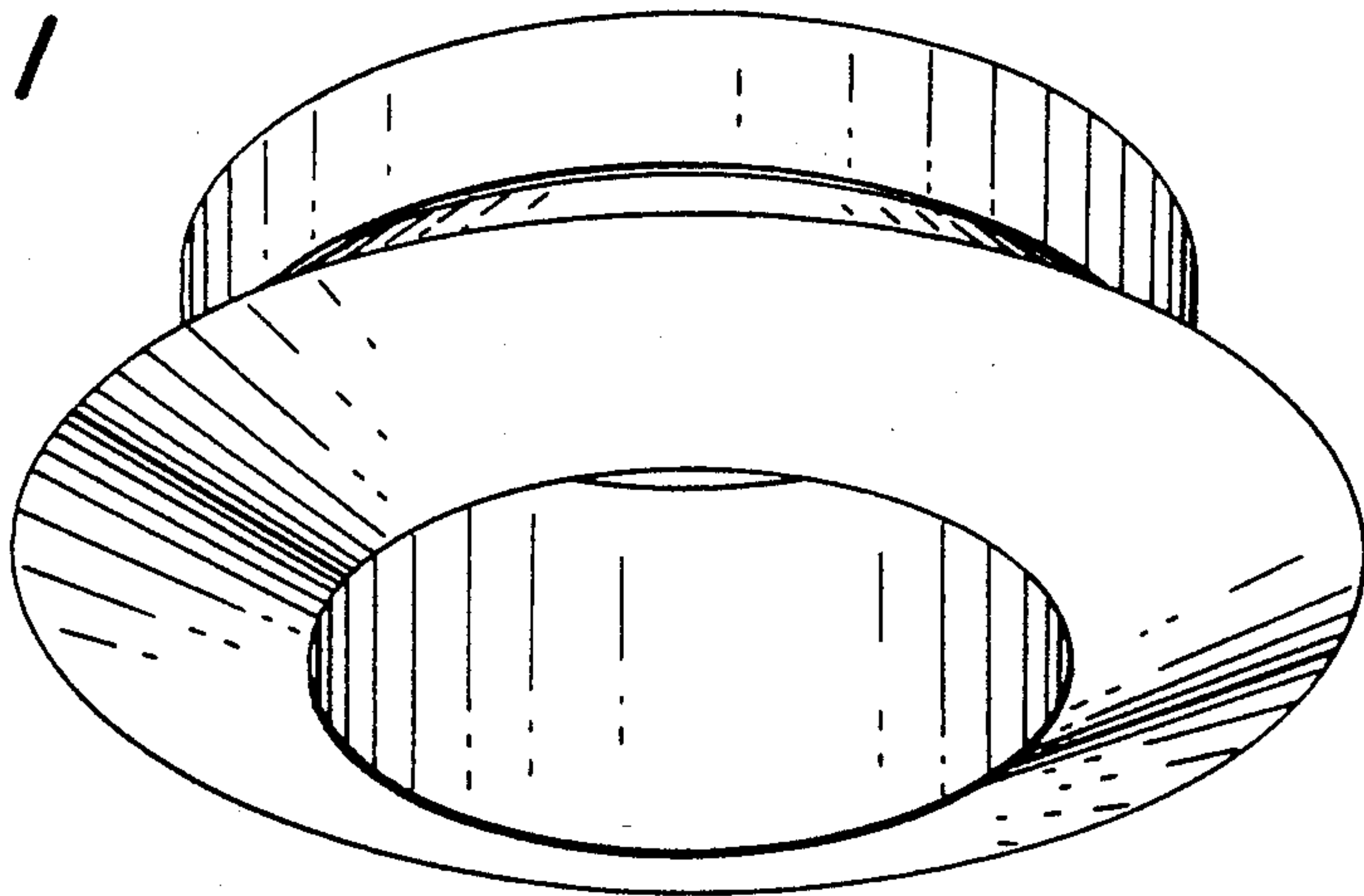


FIG. 2

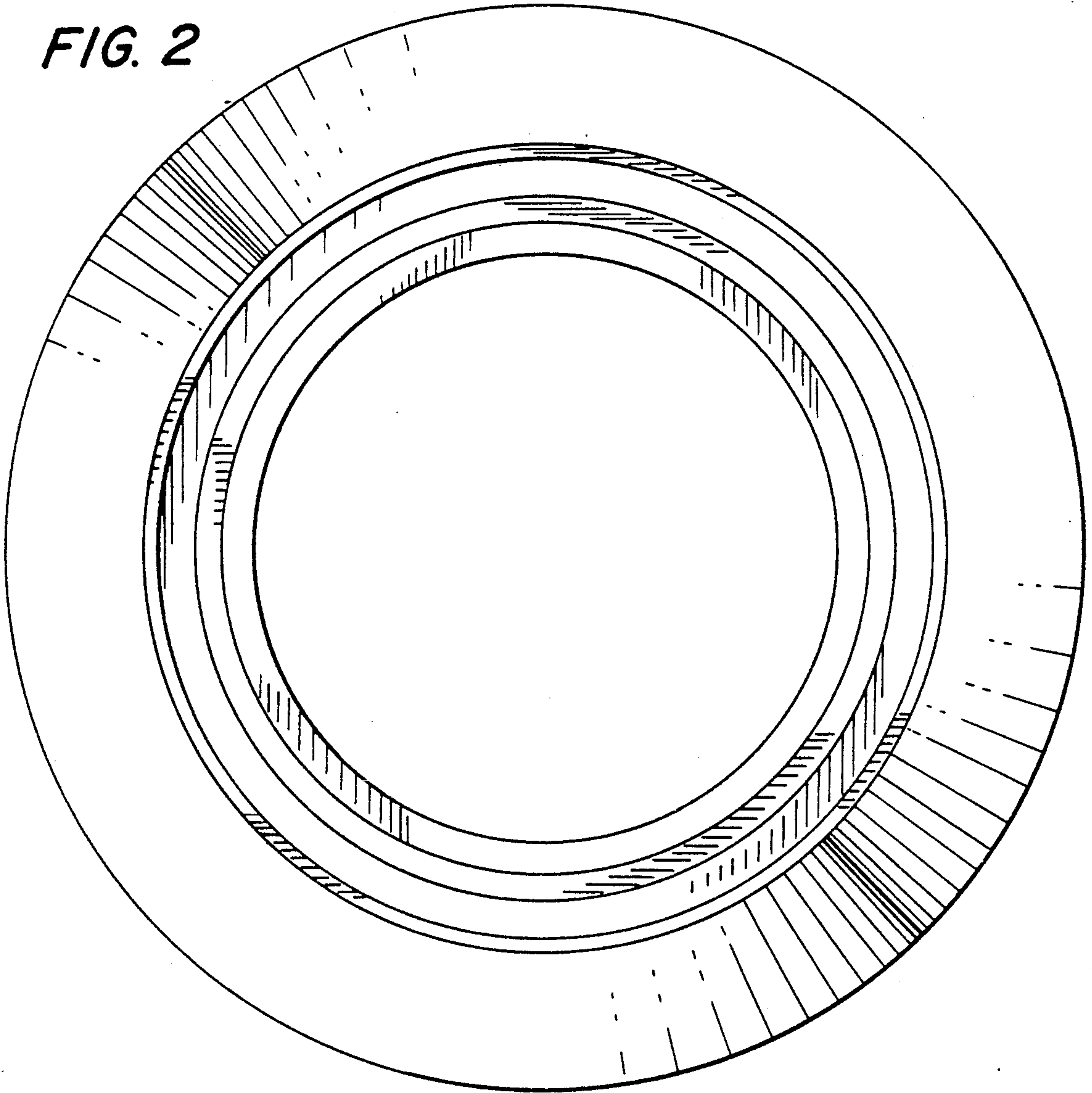


FIG. 3

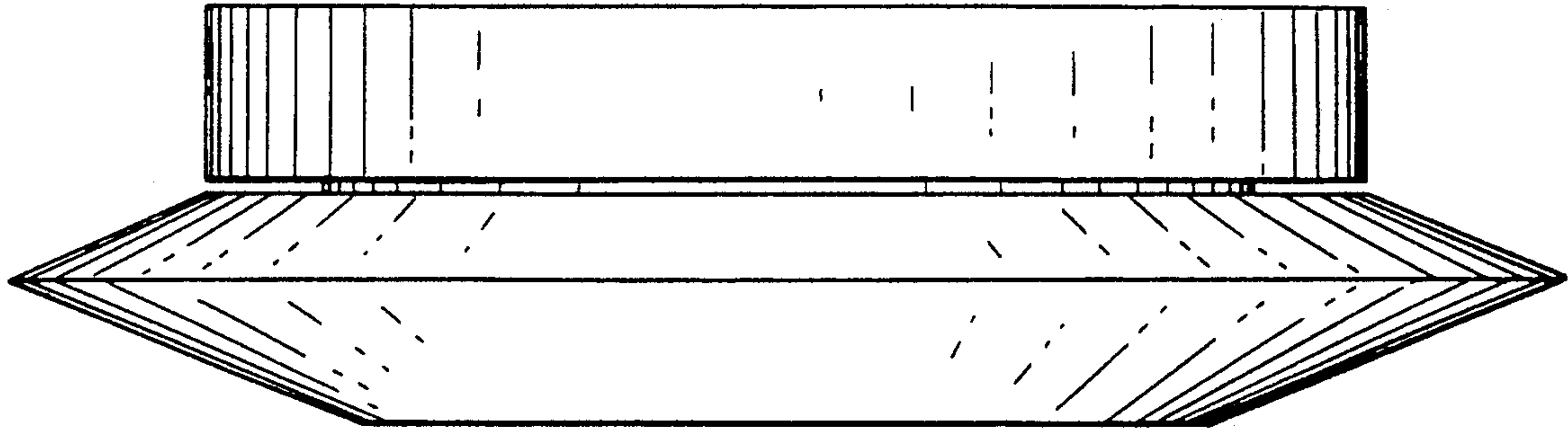


FIG. 4

