



US00D325997S

# United States Patent [19]

Dieperink et al.

[11] Patent Number: **Des. 325,997**

[45] Date of Patent: **\*\* May 5, 1992**

[54] **DESK LAMP**

[75] Inventors: **Menno Dieperink, Amsterdam;**  
**Stefanus F. W. Joosten, Eindhoven,**  
**both of Netherlands**

[73] Assignee: **U.S. Philips Corporation, New York,**  
**N.Y.**

[\*\*] Term: **14 Years**

[21] Appl. No.: **510,799**

[22] Filed: **Apr. 18, 1990**

[30] **Foreign Application Priority Data**

Oct. 30, 1989 [WO] World Int. Prop. O. ... DM/014.914

[52] U.S. Cl. .... **D26/107**

[58] Field of Search ..... **D26/60-66,**  
**D26/106, 107, 108, 109, 93; 362/410-414, 269,**  
**275, 287, 418, 419**

[56] **References Cited**

**U.S. PATENT DOCUMENTS**

- D. 150,940 9/1948 Goebel ..... D26/107
- D. 203,863 2/1966 Neumann ..... D26/107
- D. 209,079 10/1967 Andre ..... D26/62 X
- D. 238,959 2/1976 Kurokawa ..... D26/62

*Primary Examiner*—Susan J. Lucas  
*Attorney, Agent, or Firm*—Jack E. Haken

[57] **CLAIM**

The ornamental design for a desk lamp, as shown.

**DESCRIPTION**

FIG. 1 is a top, front perspective view of a desk lamp showing our new design;

FIG. 2 is a right side elevational view thereof;

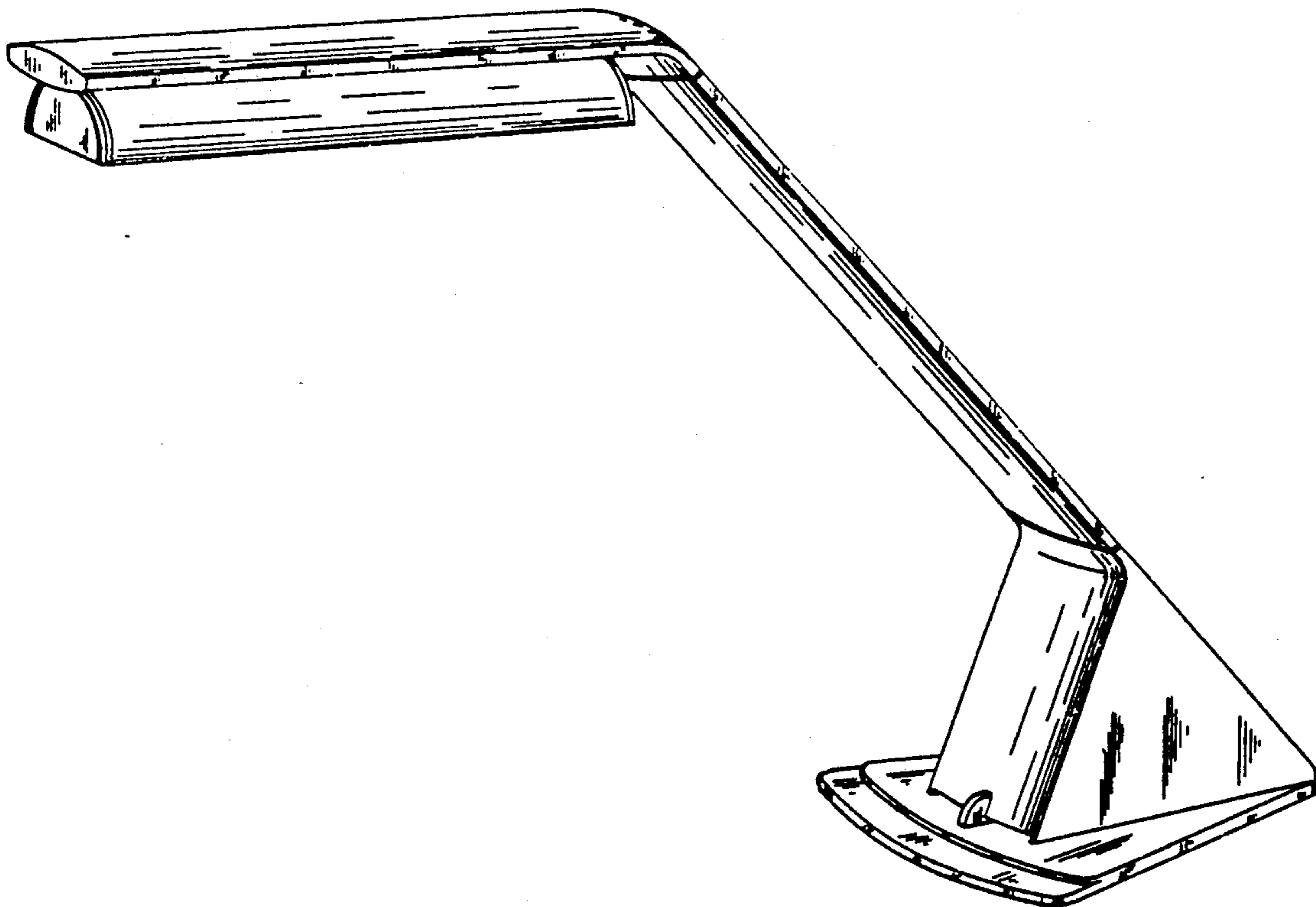
FIG. 3 is a left side elevational view thereof;

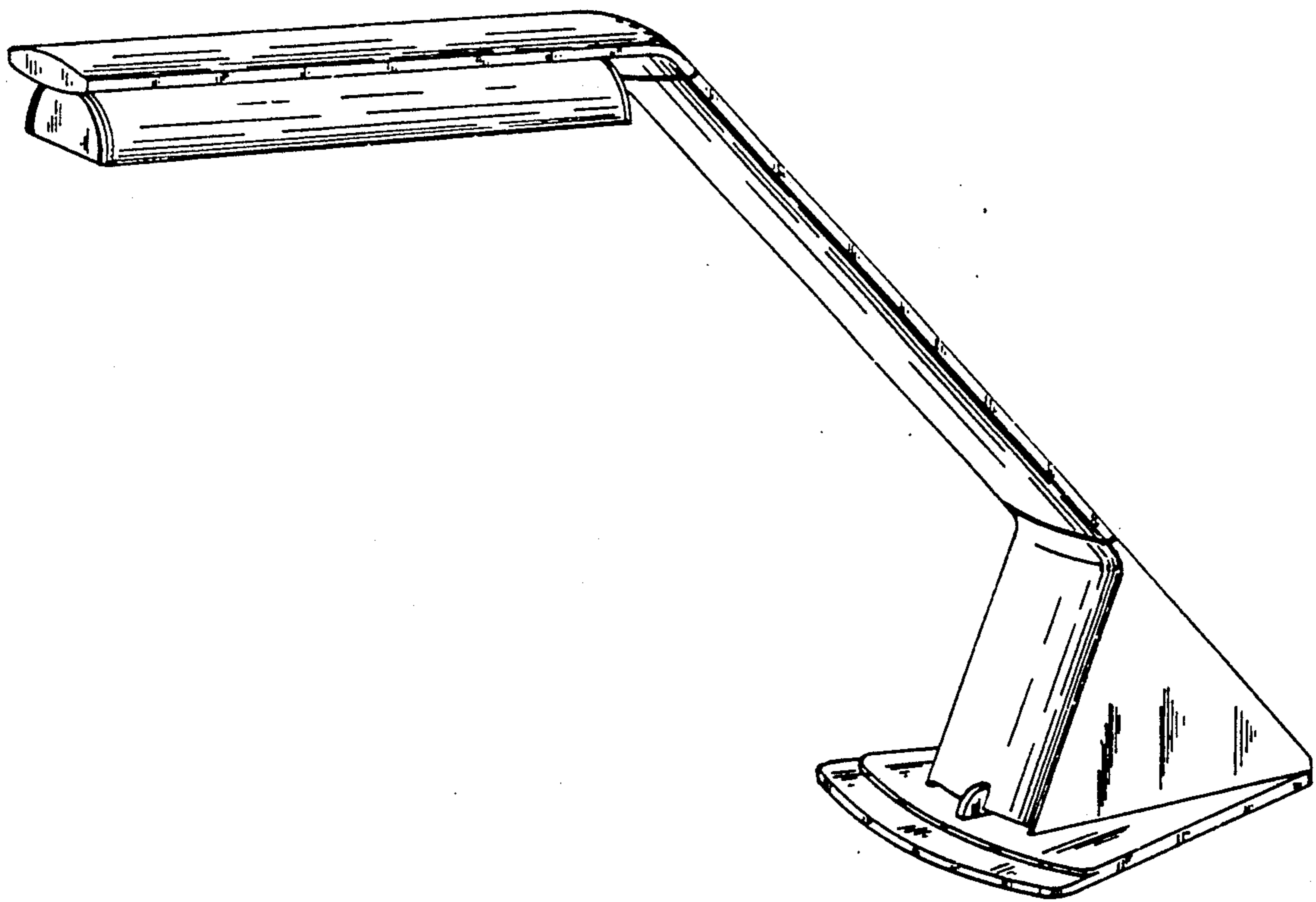
FIG. 4 is a top plan view thereof;

FIG. 5 is a bottom plan view thereof;

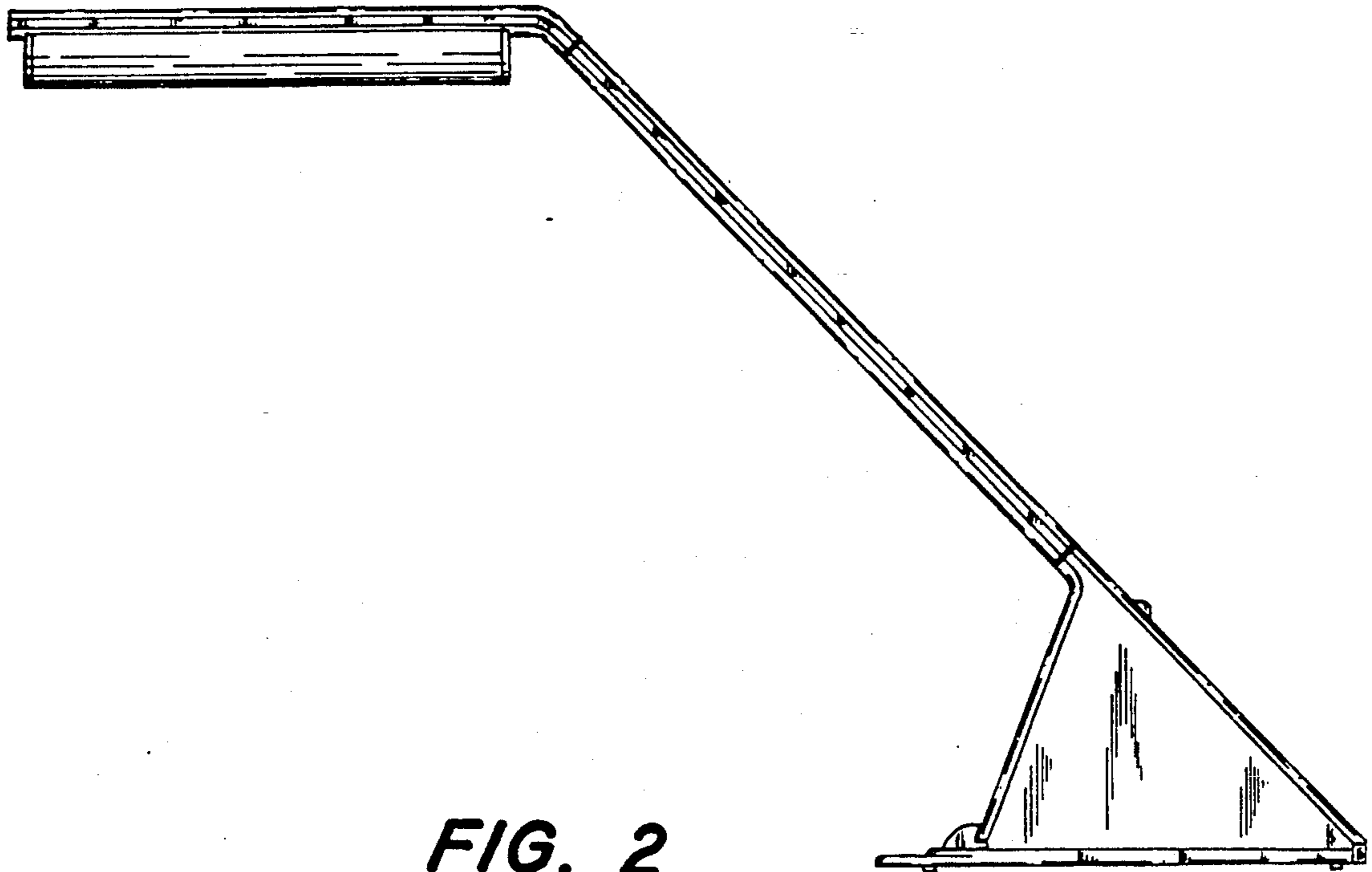
FIG. 6 is a rear elevational view thereof; and,

FIG. 7 is a front elevational view thereof.

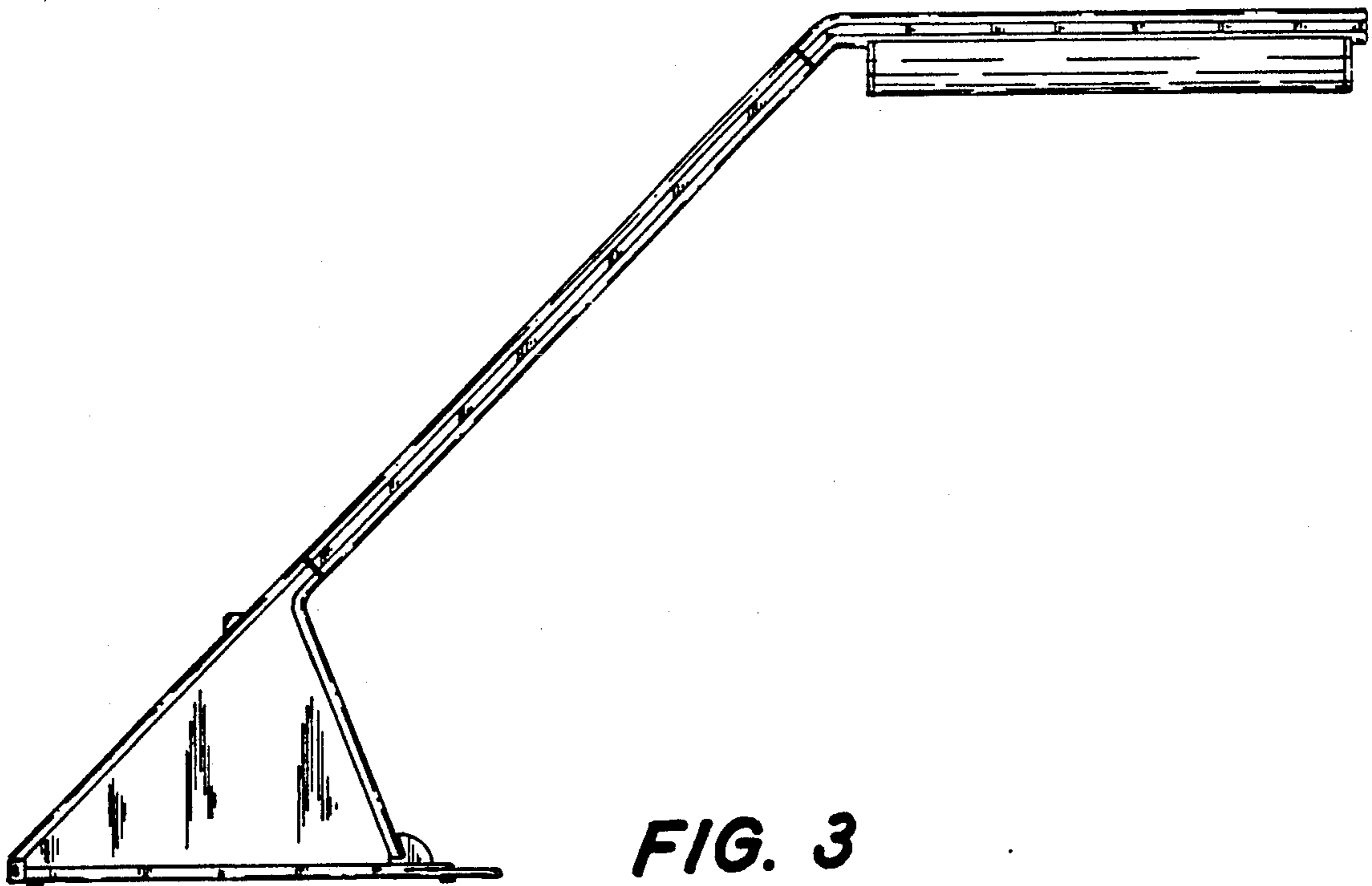




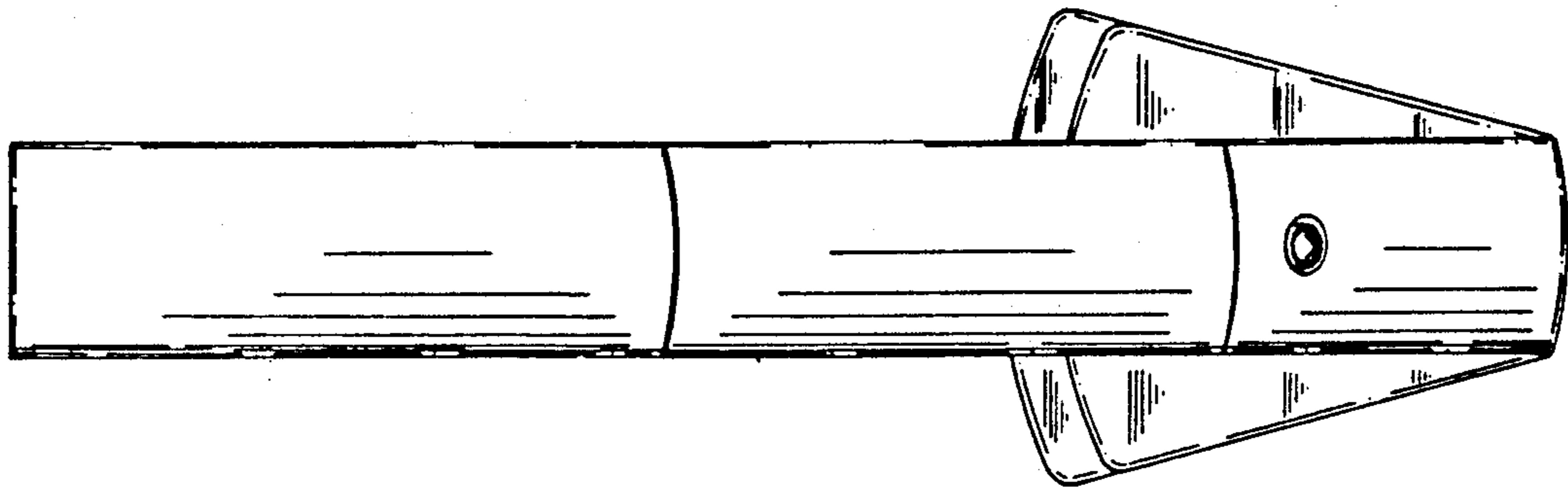
**FIG. 1**



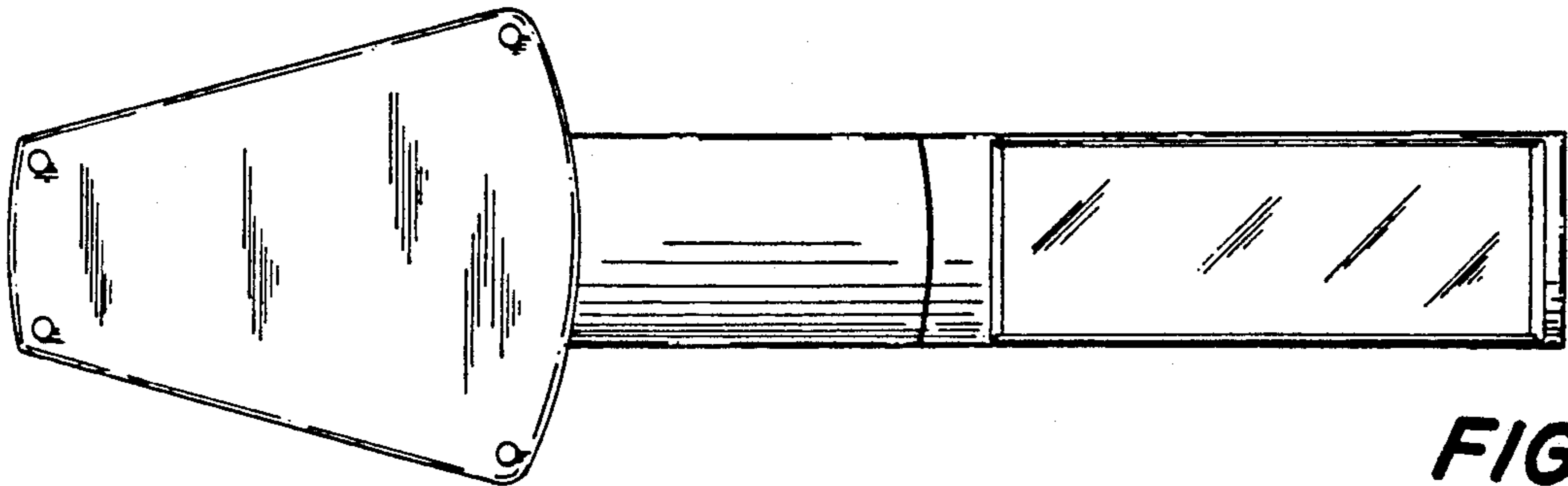
**FIG. 2**



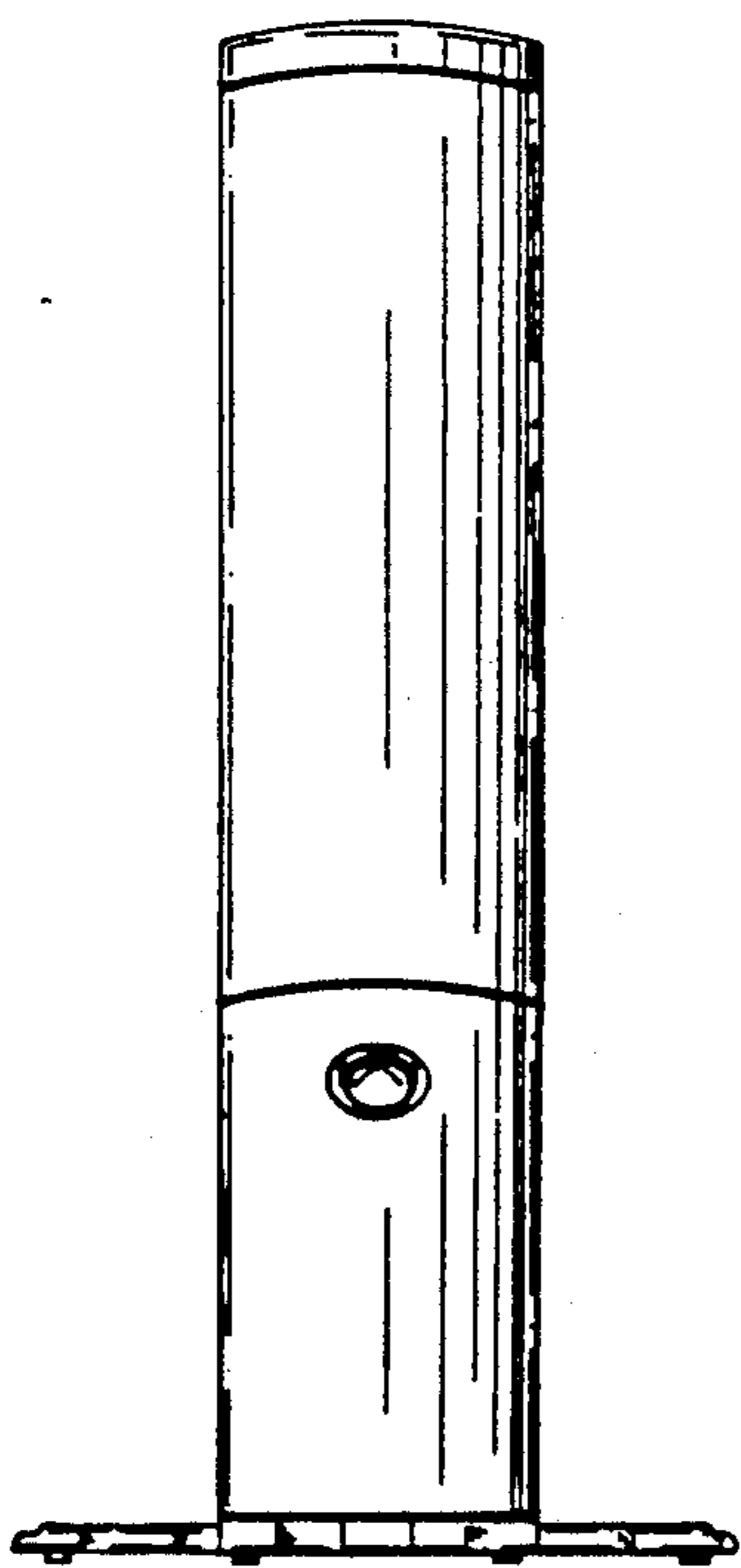
**FIG. 3**



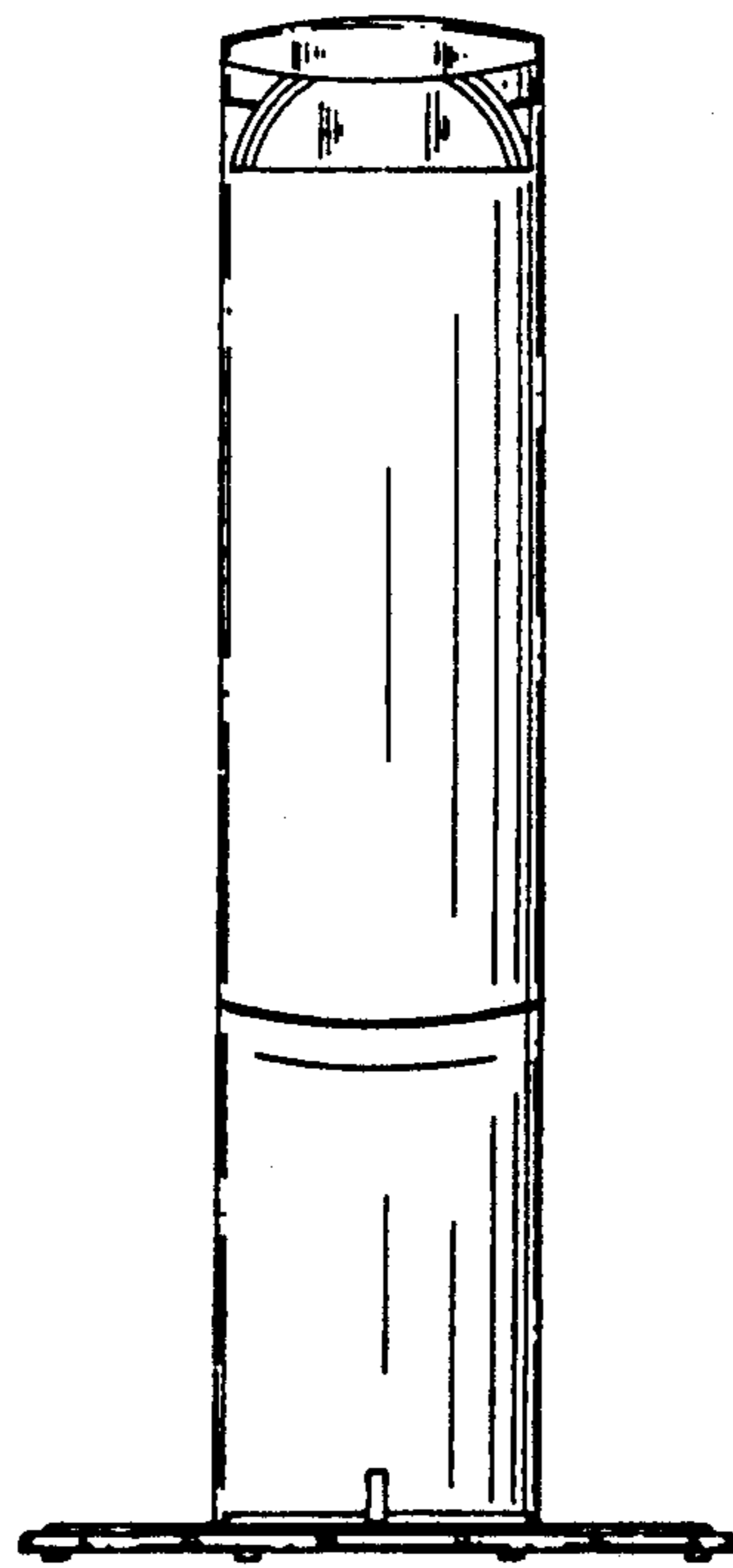
**FIG. 4**



**FIG. 5**



**FIG. 6**



**FIG. 7**