



US00D325995S

United States Patent [19]

[11] Patent Number: Des. 325,995

Tsai

[45] Date of Patent: ** May 5, 1992

[54] FOG LIGHT

D. 304,380 10/1989 Bailly D26/29

[76] Inventor: Vincent Tsai, No.138, Huan Ho Rd.,
Pan Chiao, Taiwan

Primary Examiner—Susan J. Lucas
Attorney, Agent, or Firm—Fleit, Jacobson, Cohn, Price
Holman & Stern

[**] Term: 14 Years

[57] CLAIM

[21] Appl. No.: 601,114

The ornamental design for a fog light, as shown and described.

[22] Filed: Oct. 24, 1990

[52] U.S. Cl. D26/29

DESCRIPTION

[58] Field of Search D26/28-36;
362/61, 80, 81, 82, 83

FIG. 1 is a top, front perspective view of a fog light showing my new design;

FIG. 2 is a front elevational view thereof;

FIG. 3 is a rear elevational view thereof;

FIG. 4 is a top plan view thereof;

FIG. 5 is a bottom plan view thereof;

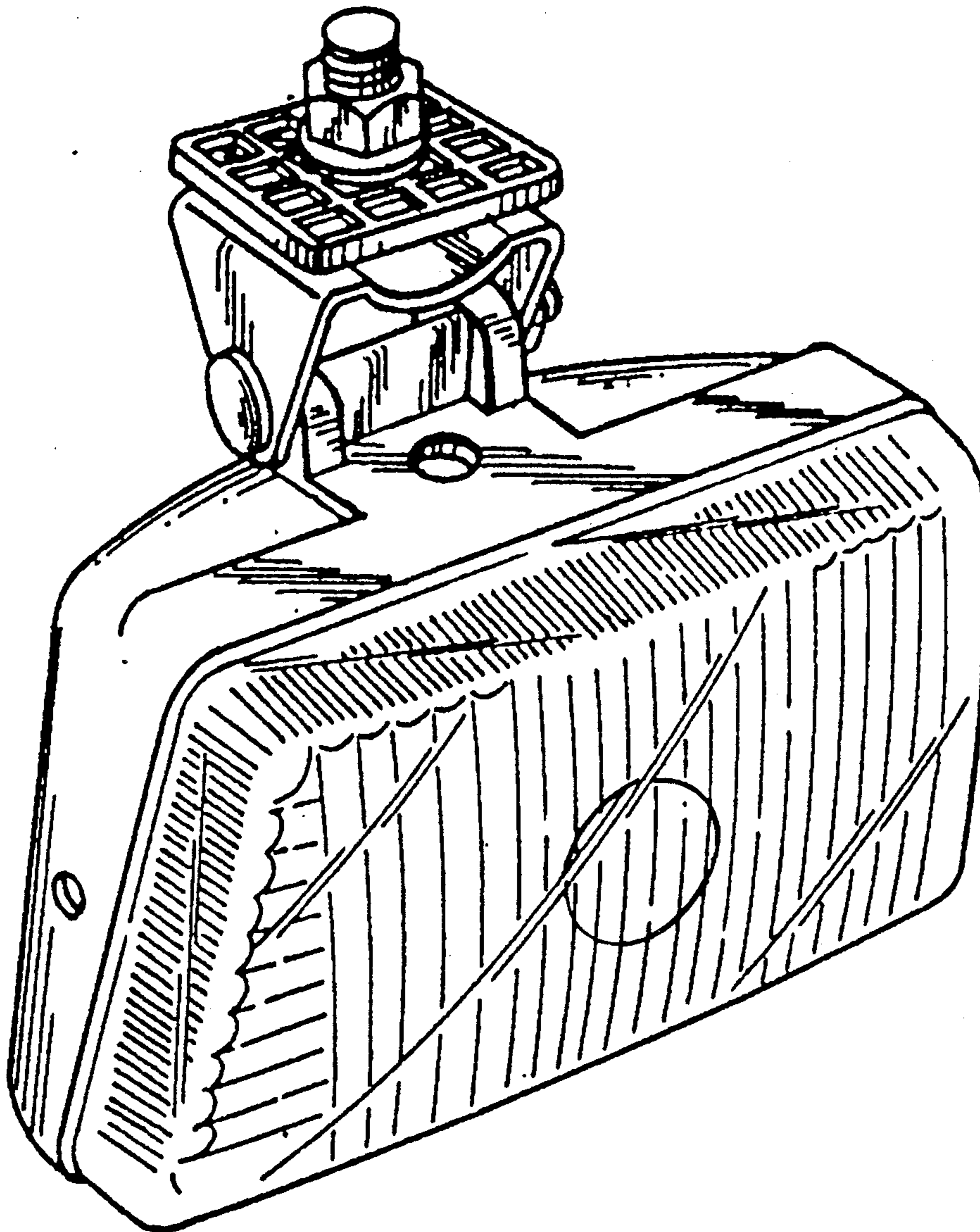
FIG. 6 is a left side elevational view thereof; and,

FIG. 7 is a right side elevational view thereof.

[56] References Cited

U.S. PATENT DOCUMENTS

- D. 285,973 9/1986 Envall D26/28
- D. 289,086 3/1987 Yabata D26/29
- D. 303,433 9/1989 Bailly D26/29



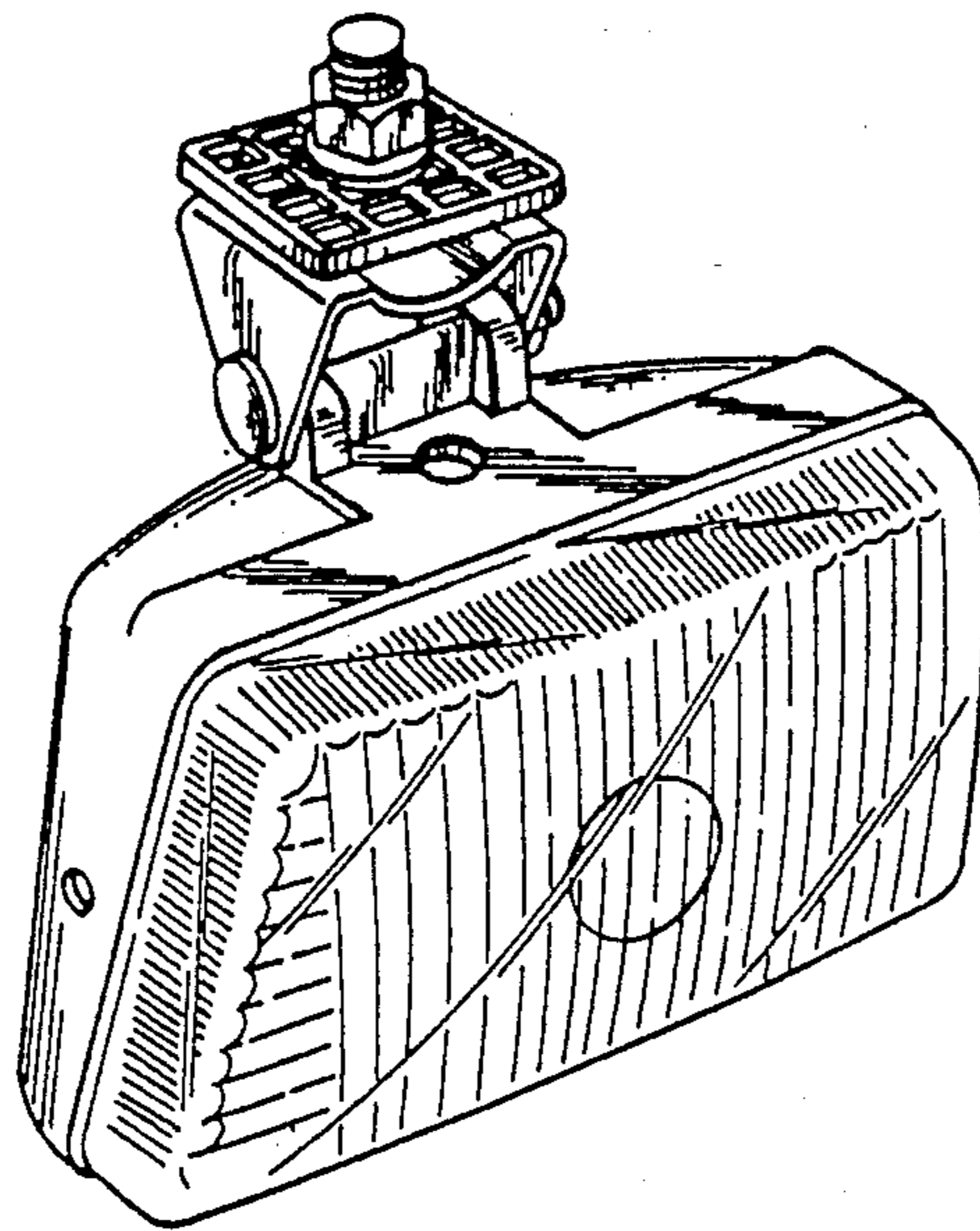


FIG. 1

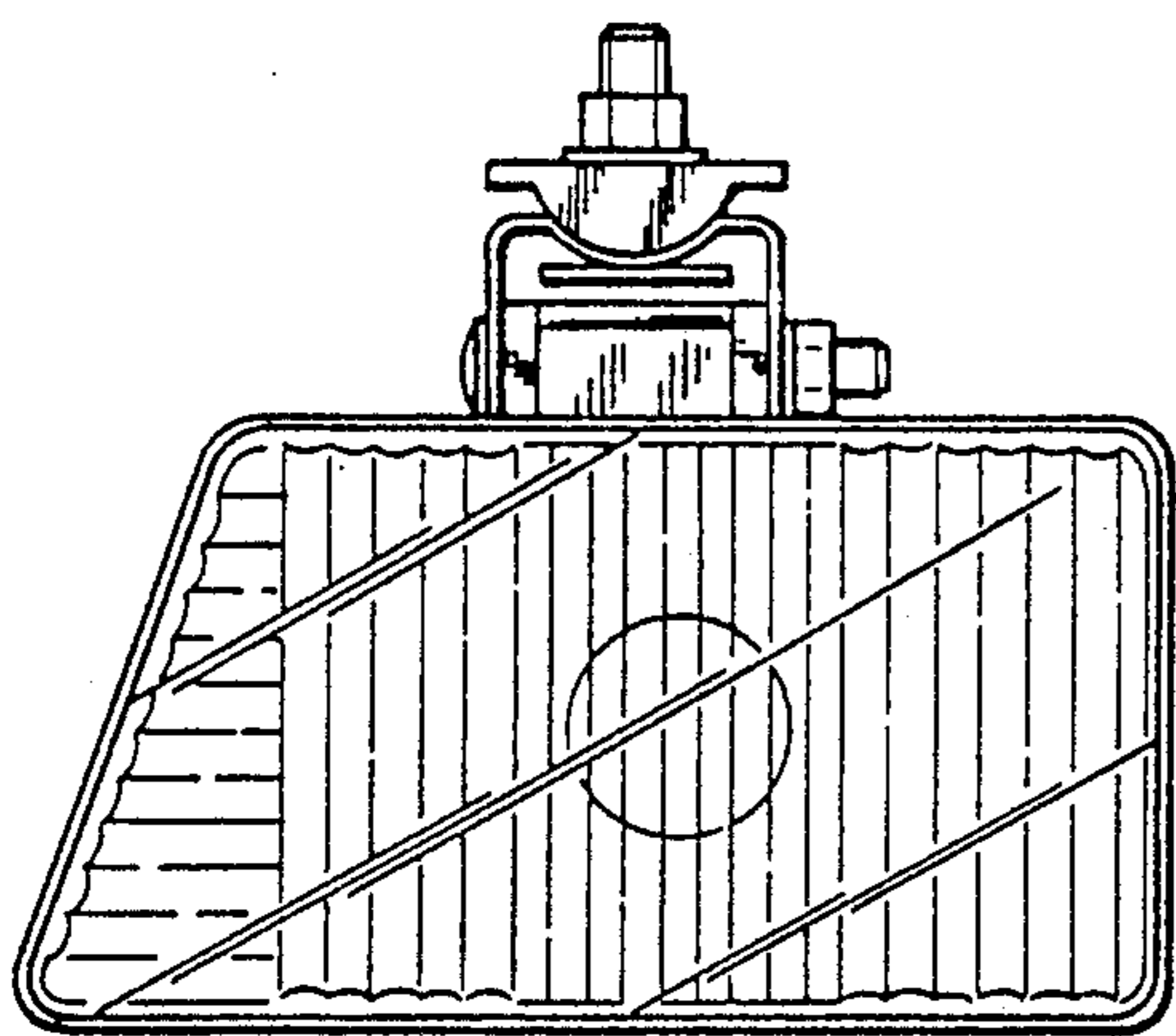


FIG. 2

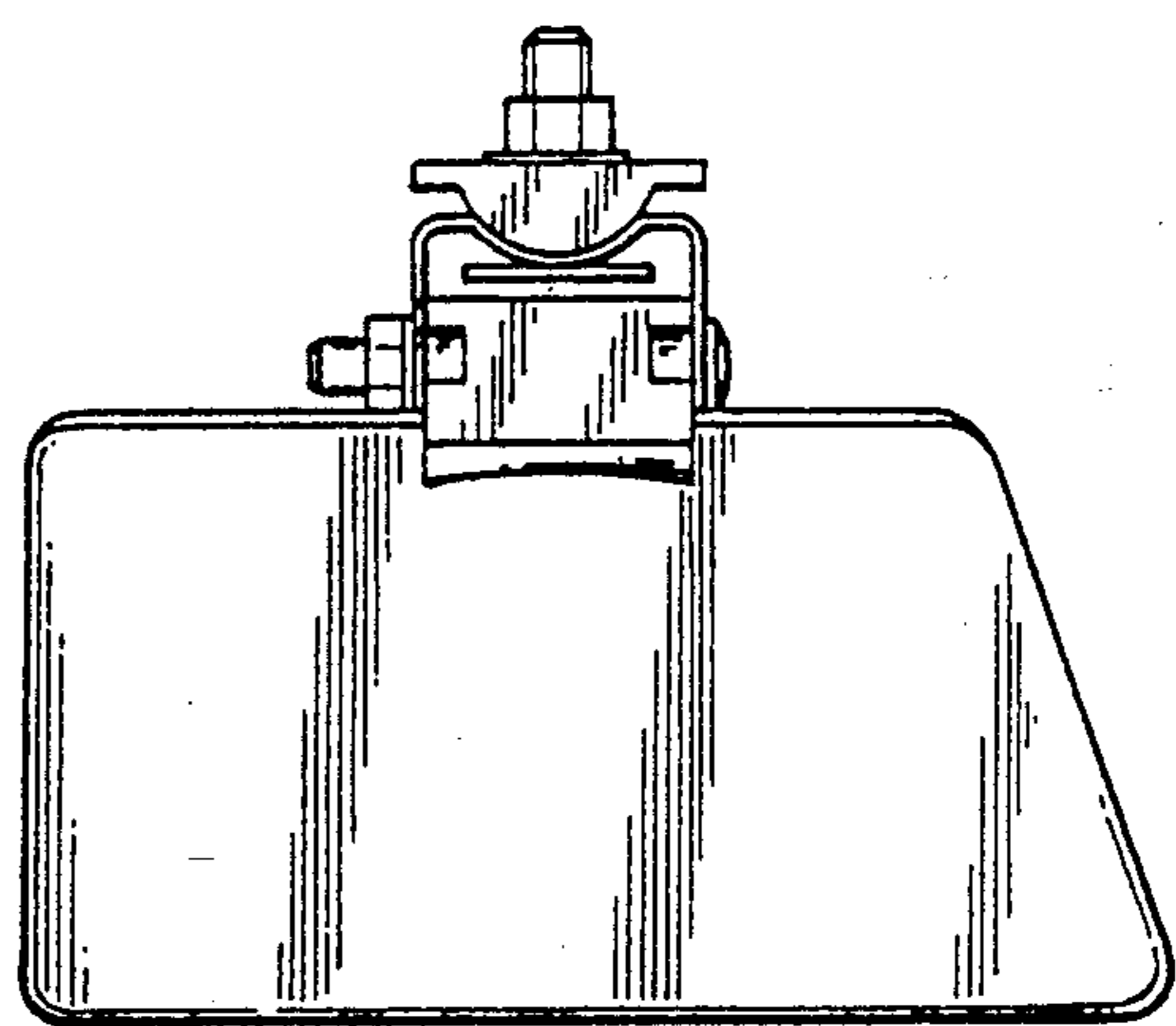


FIG. 3

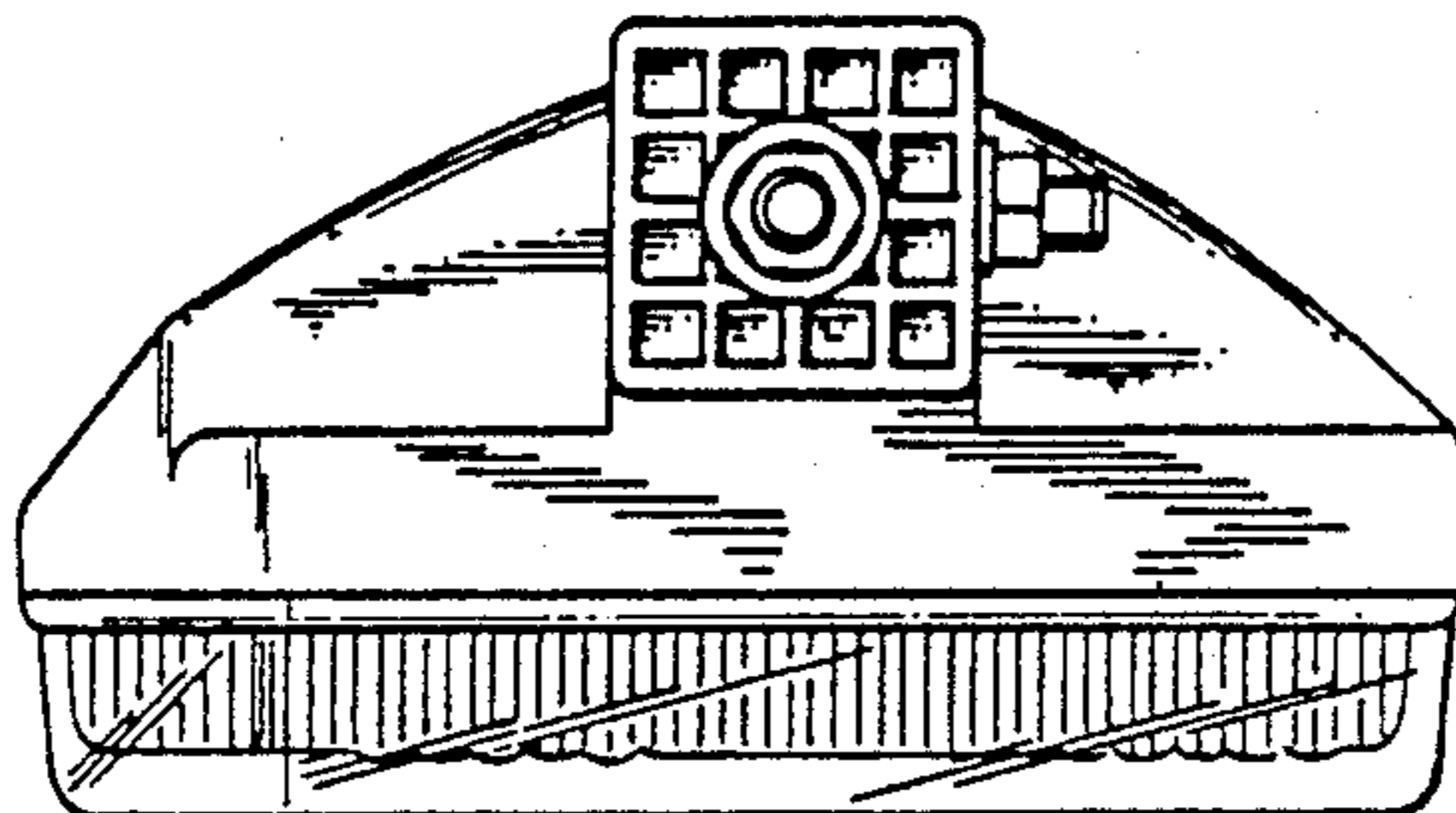


FIG. 4

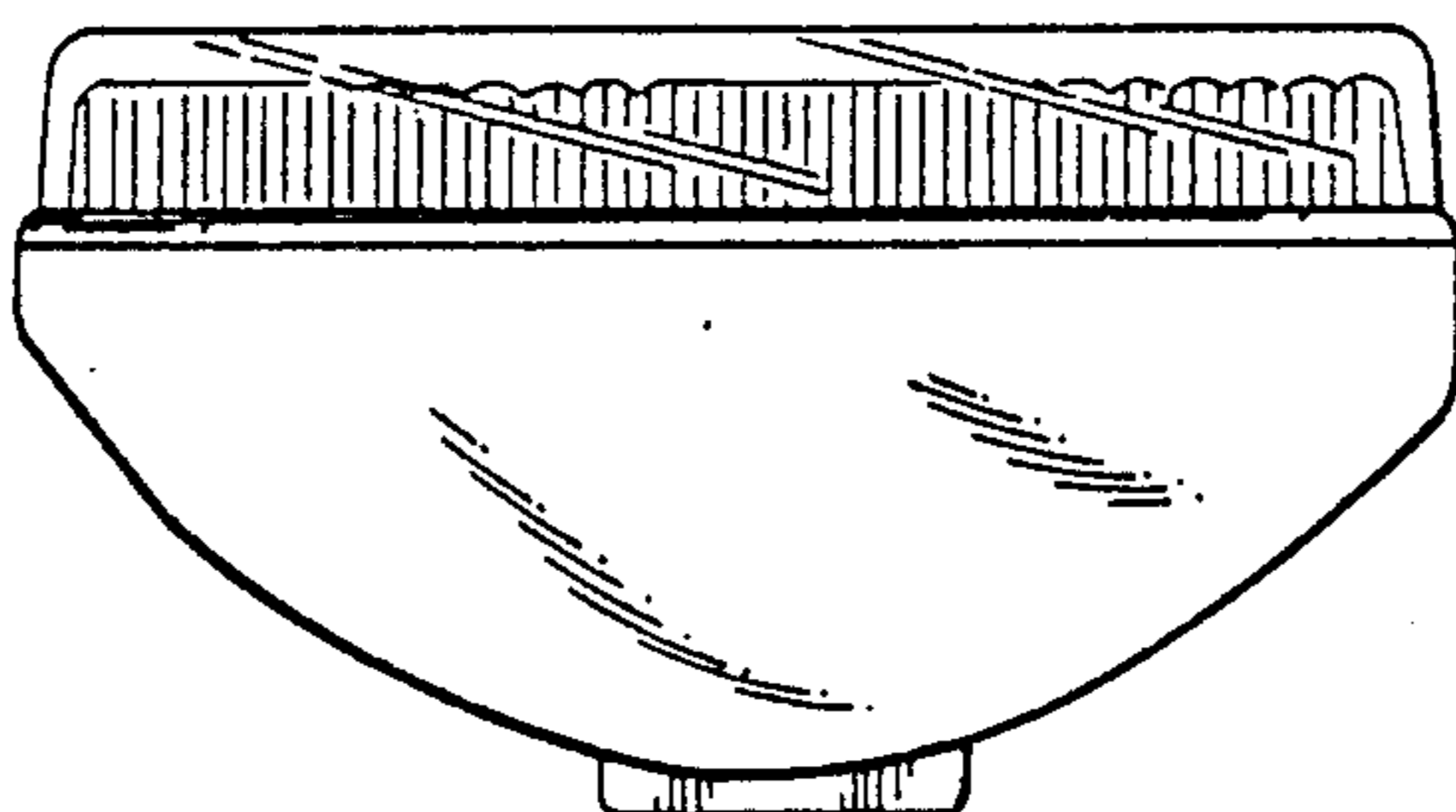


FIG. 5

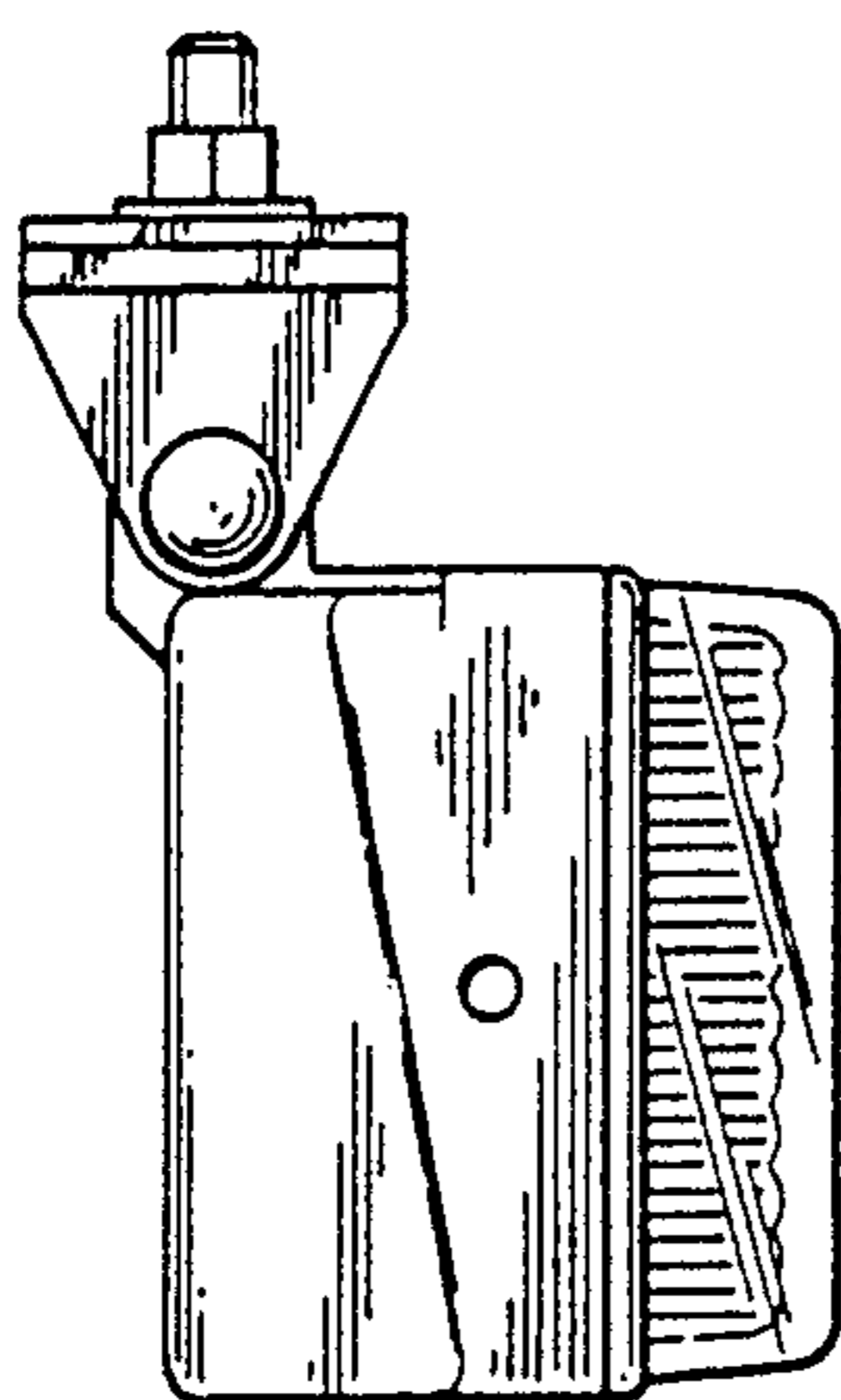


FIG. 6

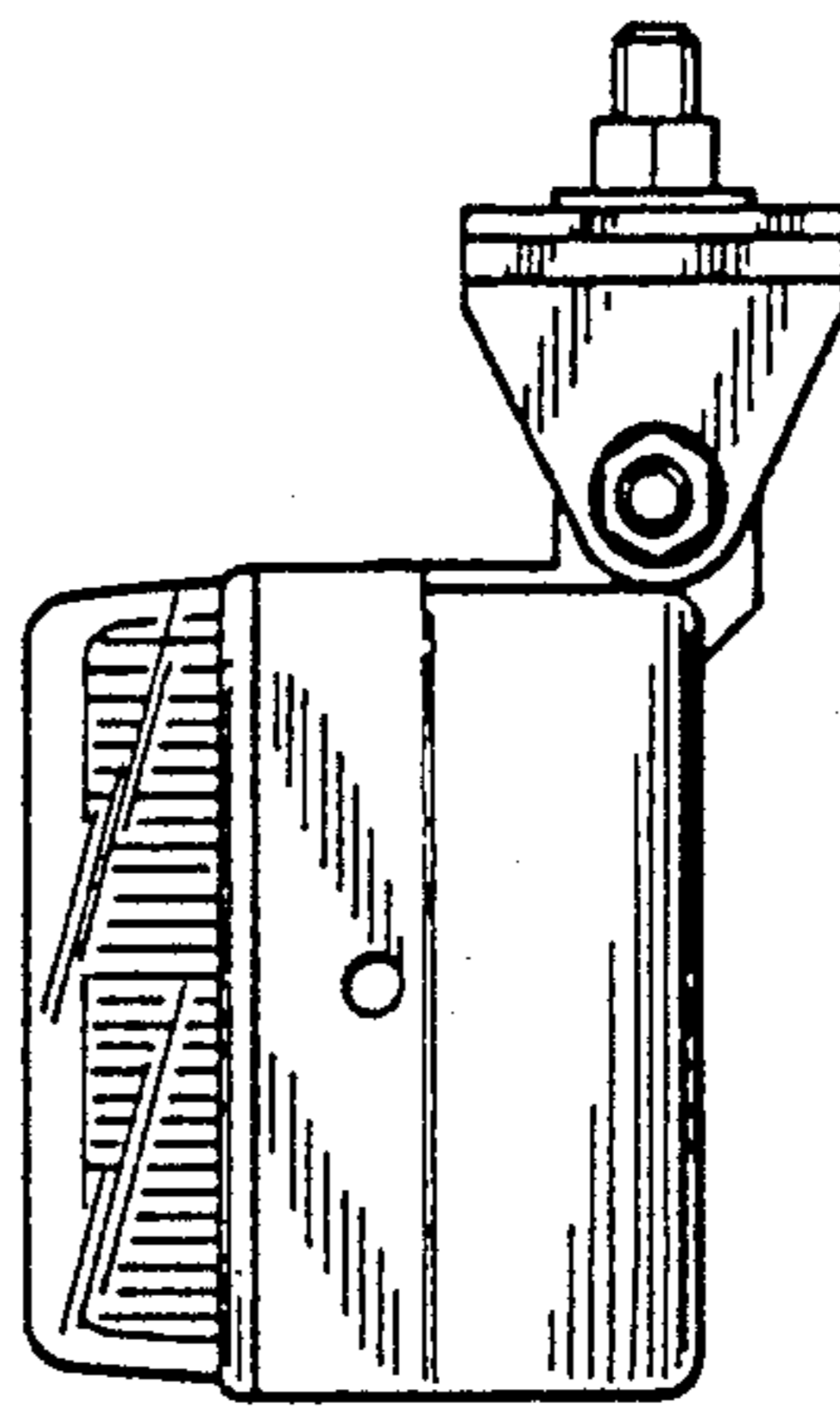


FIG. 7