



US00D325993S

United States Patent [19]

[11] Patent Number: **Des. 325,993**

Valentin

[45] Date of Patent: **** May 5, 1992**

[54] EXTRUSION FOR USE IN THE CONSTRUCTION OF A WINDOW

[75] Inventor: **Volker S. Valentin, Indiana, Pa.**

[73] Assignee: **L.B. Plastics Limited, Belper, England**

[**] Term: **14 Years**

[21] Appl. No.: **539,046**

[22] Filed: **Jun. 15, 1990**

[52] U.S. Cl. **D25/124**

[58] Field of Search **D25/52, 119-125; 49/501-502, 504, DIG. 1, DIG. 2; 52/171**

[56] **References Cited**

U.S. PATENT DOCUMENTS

- D. 289,203 4/1987 Hardy D25/124
- D. 301,668 5/1989 Dallaine et al. D25/124
- 4,370,830 2/1983 Shaeler et al. 49/504
- 4,428,156 1/1984 Malm et al. 49/504

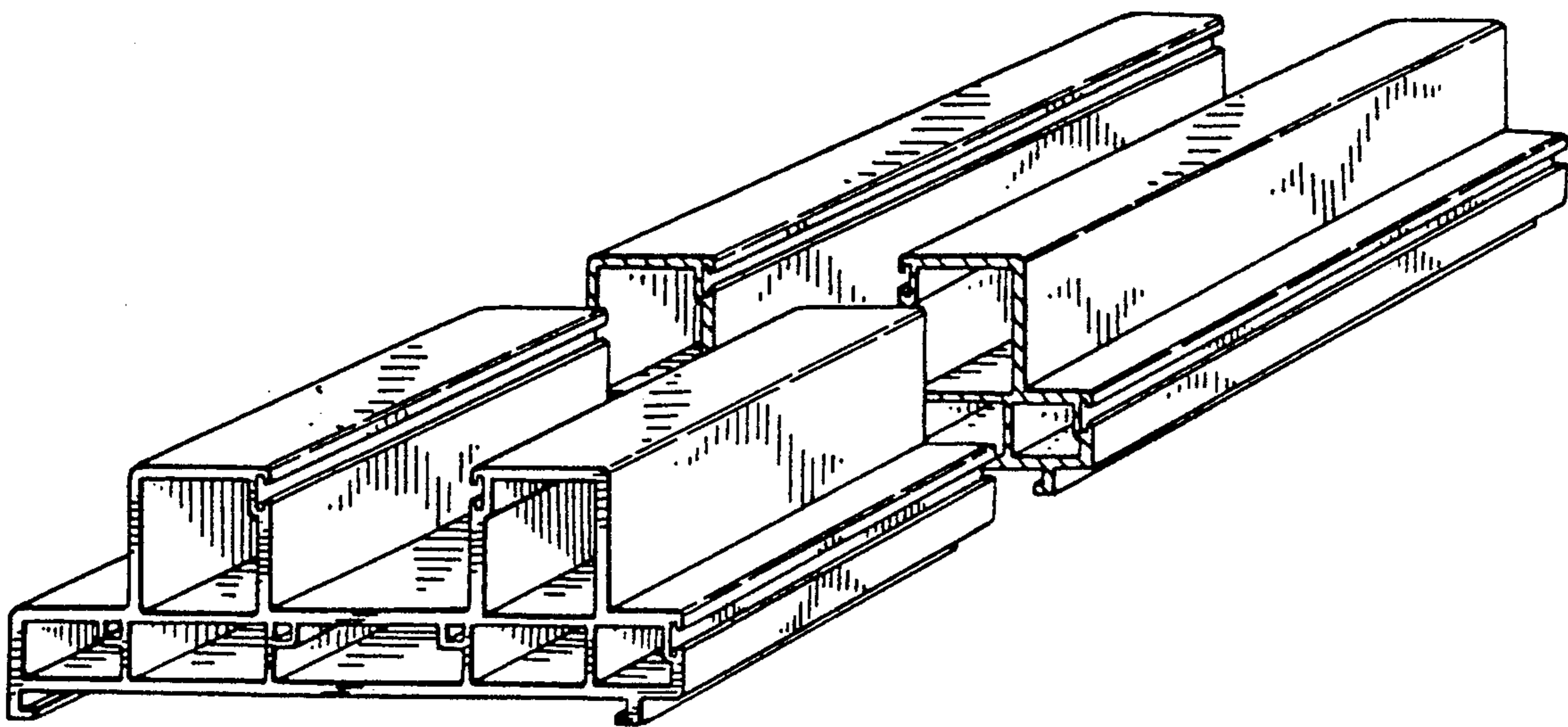
Primary Examiner—A. Hugo Word
Assistant Examiner—Doris Clark
Attorney, Agent, or Firm—W. Thad Adams, III

[57] **CLAIM**

The ornamental design for an extrusion for use in the construction of a window, as shown and described.

DESCRIPTION

FIG. 1 is a perspective view of an extrusion for use in the construction of a window showing my new design, the extrusion being broken in the center to indicate indeterminate length; and, FIG. 2 is an end elevational view thereof.



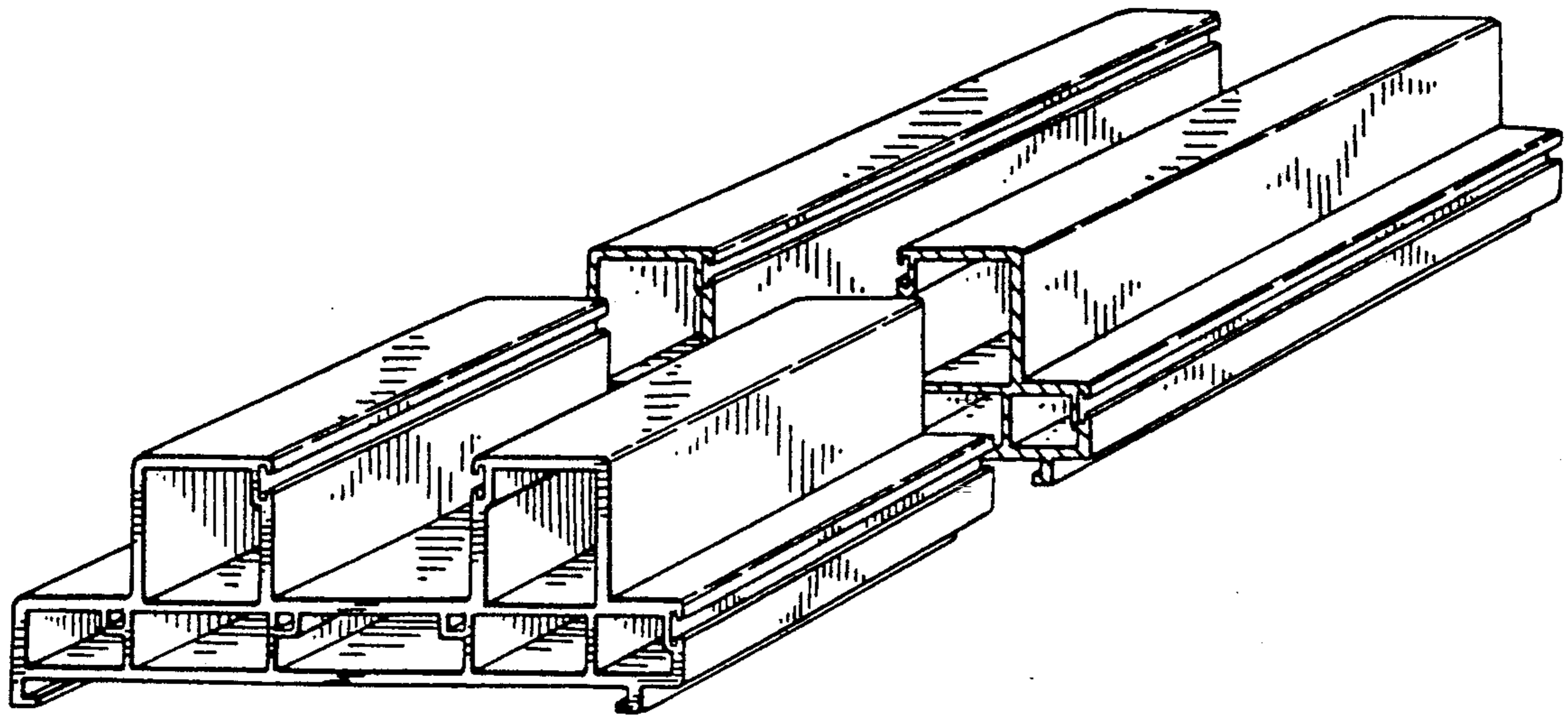


FIG. 1

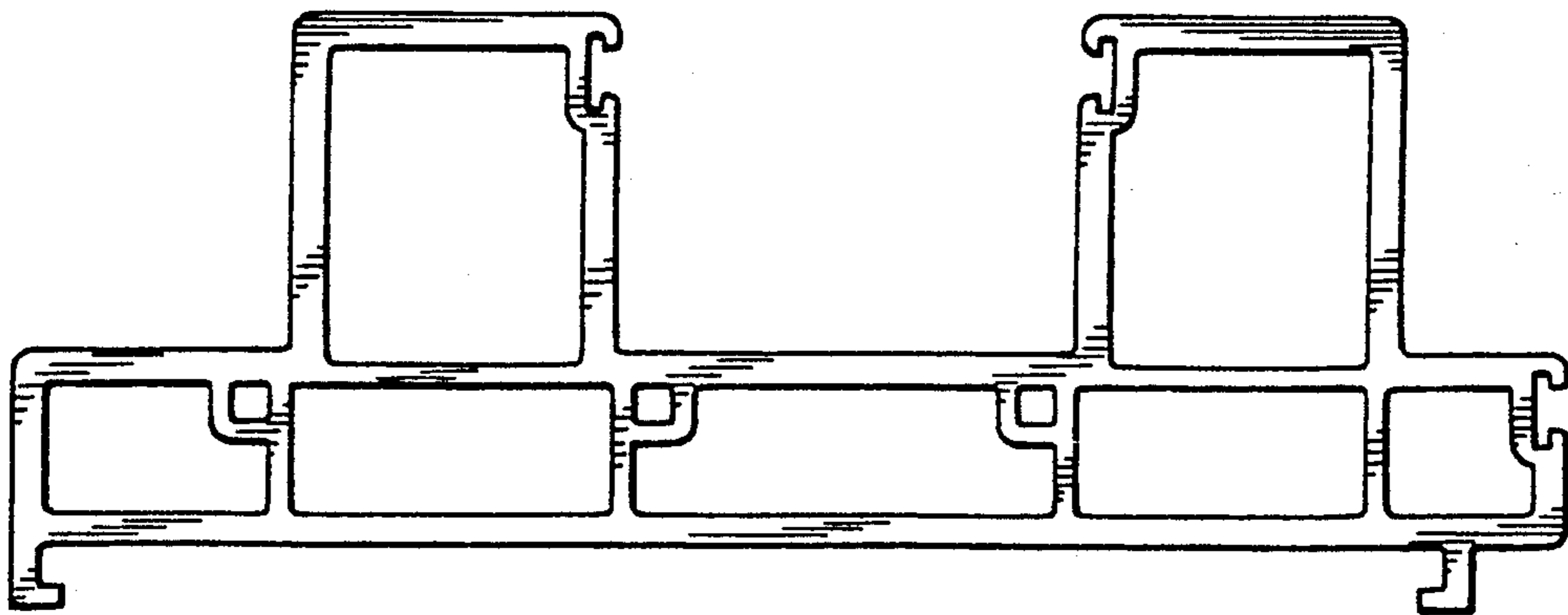


FIG. 2