



US00D325991S

**United States Patent** [19]  
**Valentin**

[11] **Patent Number: Des. 325,991**

[45] **Date of Patent: \*\* May 5, 1992**

[54] **EXTRUSION FOR USE IN THE CONSTRUCTION OF A WINDOW**

[75] **Inventor: Volker S. Valentin, Indiana, Pa.**

[73] **Assignee: L. B. Plastics Limited, Belper, England**

[\*\*] **Term: 14 Years**

[21] **Appl. No.: 539,044**

[22] **Filed: Jun. 15, 1990**

[52] **U.S. Cl. .... D25/124**

[58] **Field of Search ..... D25/52, 119-125; 49/501-502, 504, DIG. 1, DIG. 2; 52/171**

[56] **References Cited**

**U.S. PATENT DOCUMENTS**

- D. 243,679 3/1977 Dallaire ..... D25/124
- D. 263,750 4/1982 Dallaire ..... D25/124
- D. 307,802 5/1990 Westphal et al. .... D25/124
- D. 307,804 5/1990 Westphal et al. .... D25/124

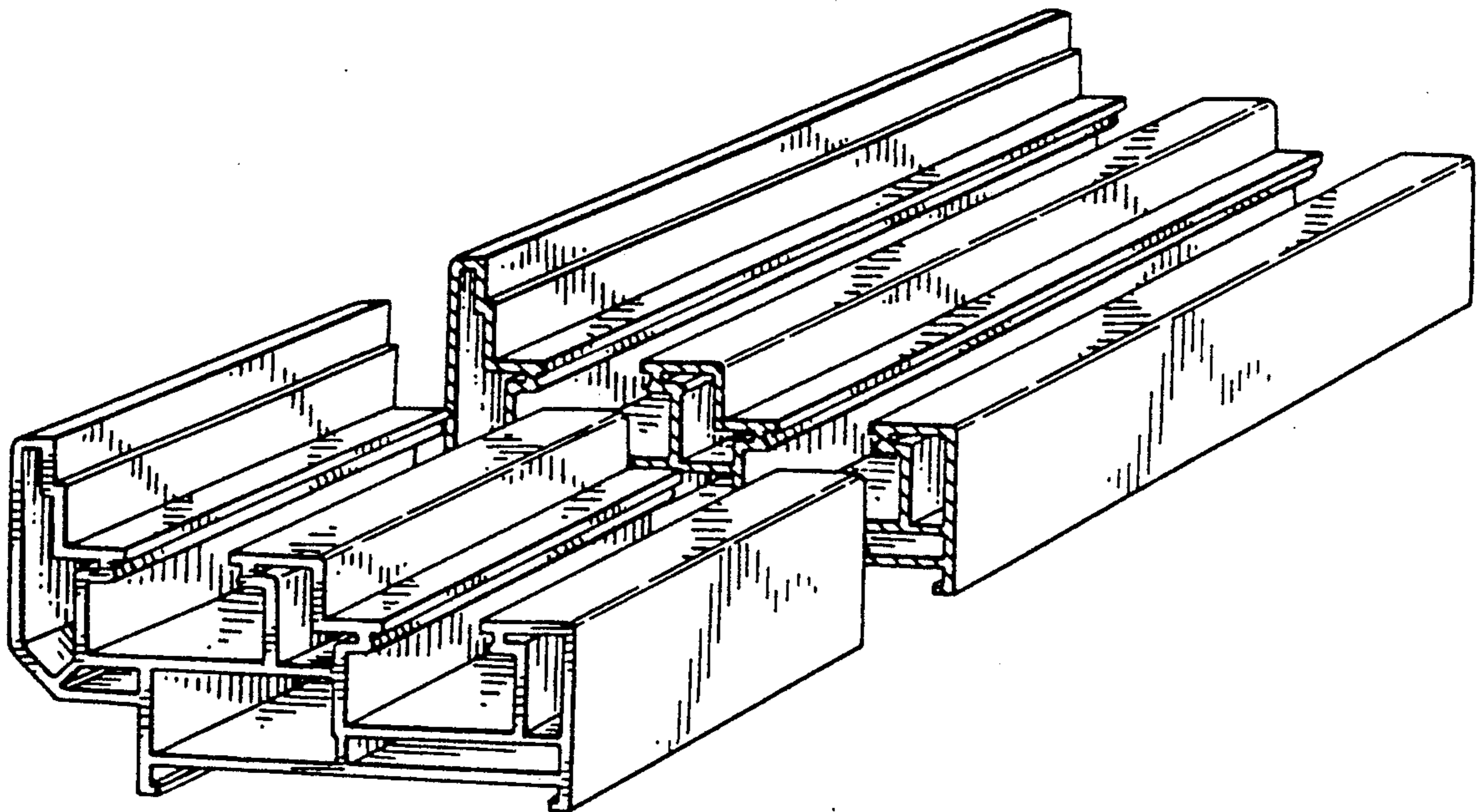
*Primary Examiner*—A. Hugo Word  
*Assistant Examiner*—Doris Clark  
*Attorney, Agent, or Firm*—W. Thad Adams, III

[57] **CLAIM**

The ornamental design for an extrusion for use in the construction of a window, as shown and described.

**DESCRIPTION**

FIG. 1 is a perspective view of an extrusion for use in the construction of a window showing my new design, the extrusion being broken in the center to indicate indeterminate length; and, FIG. 2 is an end elevational view thereof.



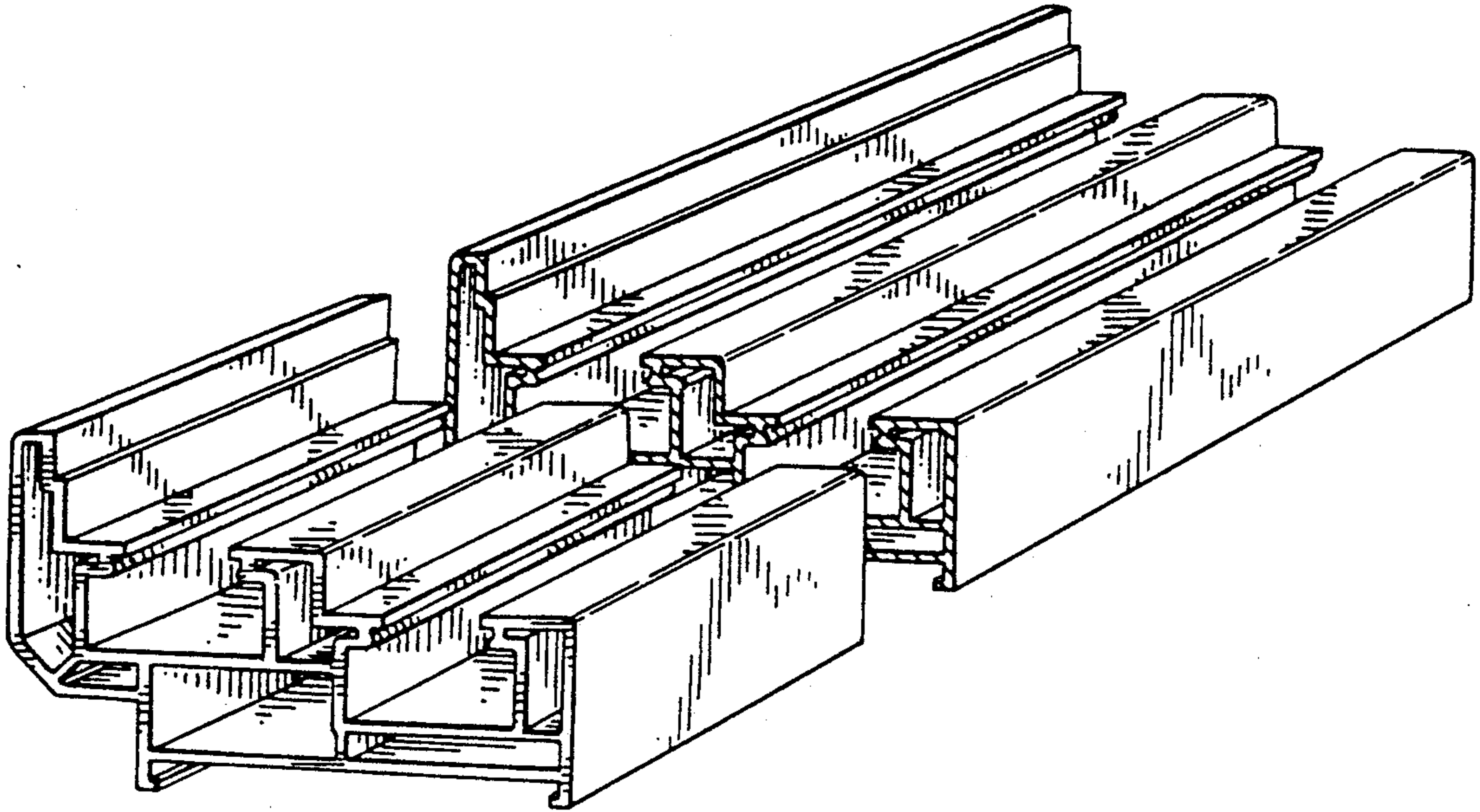


FIG. 1

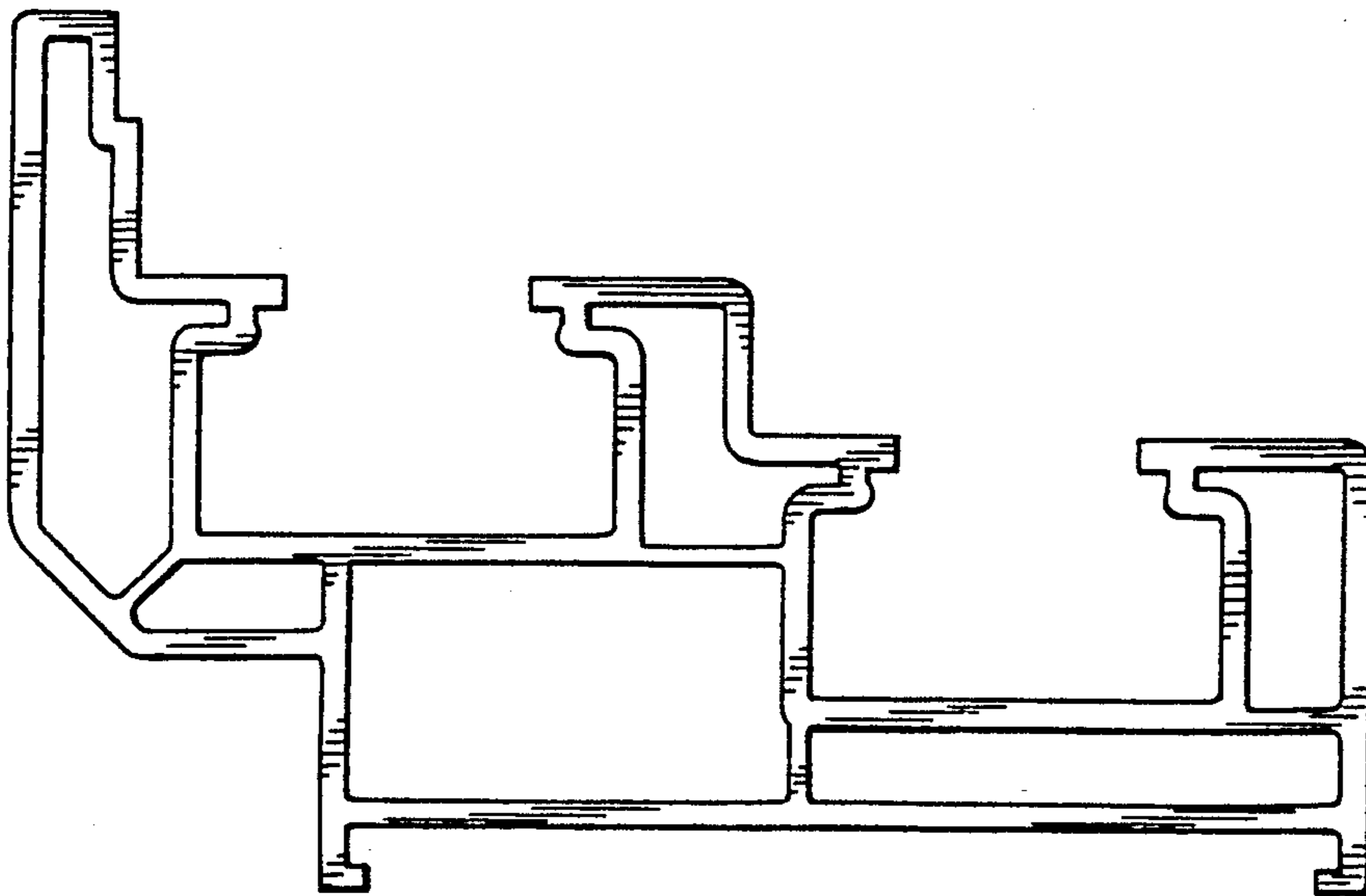


FIG. 2