



US00D325989S

United States Patent [19]

Valentin

[11] Patent Number: **Des. 325,989**

[45] Date of Patent: **** May 5, 1992**

[54] EXTRUSION FOR USE IN THE CONSTRUCTION OF A WINDOW

[75] Inventor: Volker S. Valentin, Indiana, Pa.

[73] Assignee: L. B. Plastics Limited, Belper, England

[**] Term: 14 Years

[21] Appl. No.: 539,041

[22] Filed: Jun. 15, 1990

[52] U.S. Cl. D25/124

[58] Field of Search D25/52, 119-125; 49/501-502, 504, DIG. 1, DIG. 2; 52/171

[56] **References Cited**

U.S. PATENT DOCUMENTS

D. 300,370	3/1989	Reisinger et al.	D25/124
4,516,356	5/1985	Delman	49/504
4,949,506	8/1990	Durham, Jr.	49/504

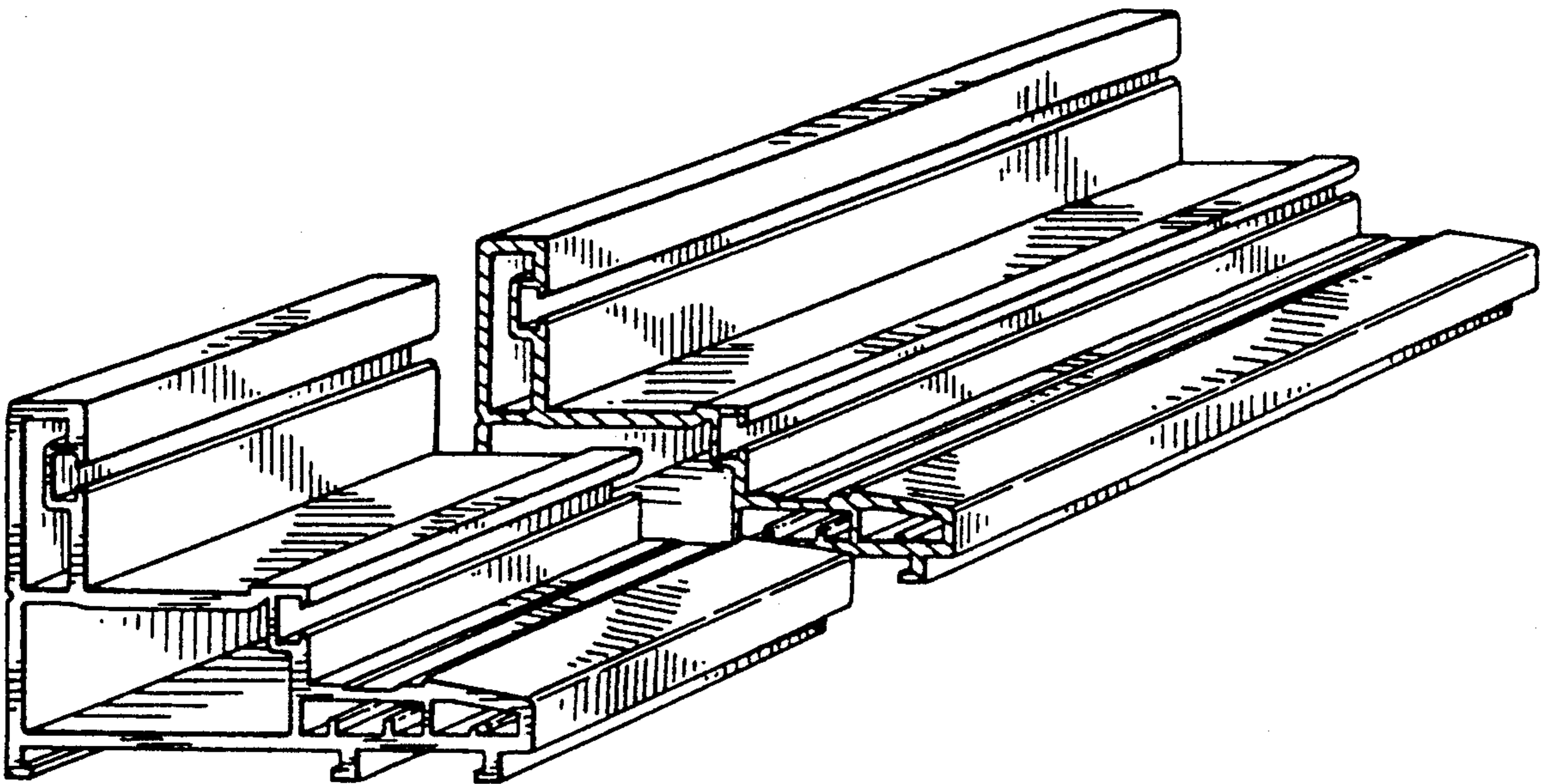
Primary Examiner—A. Hugo Word
Assistant Examiner—Doris Clark
Attorney, Agent, or Firm—W. Thad Adams, III

[57] **CLAIM**

The ornamental design for an extrusion for use in the construction of a window, as shown and described.

DESCRIPTION

FIG. 1 is a perspective view of an extrusion for use in the construction of a window showing my new design, the extrusion being broken in the center to indicate indeterminate length; and, FIG. 2 is an end elevational view thereof.



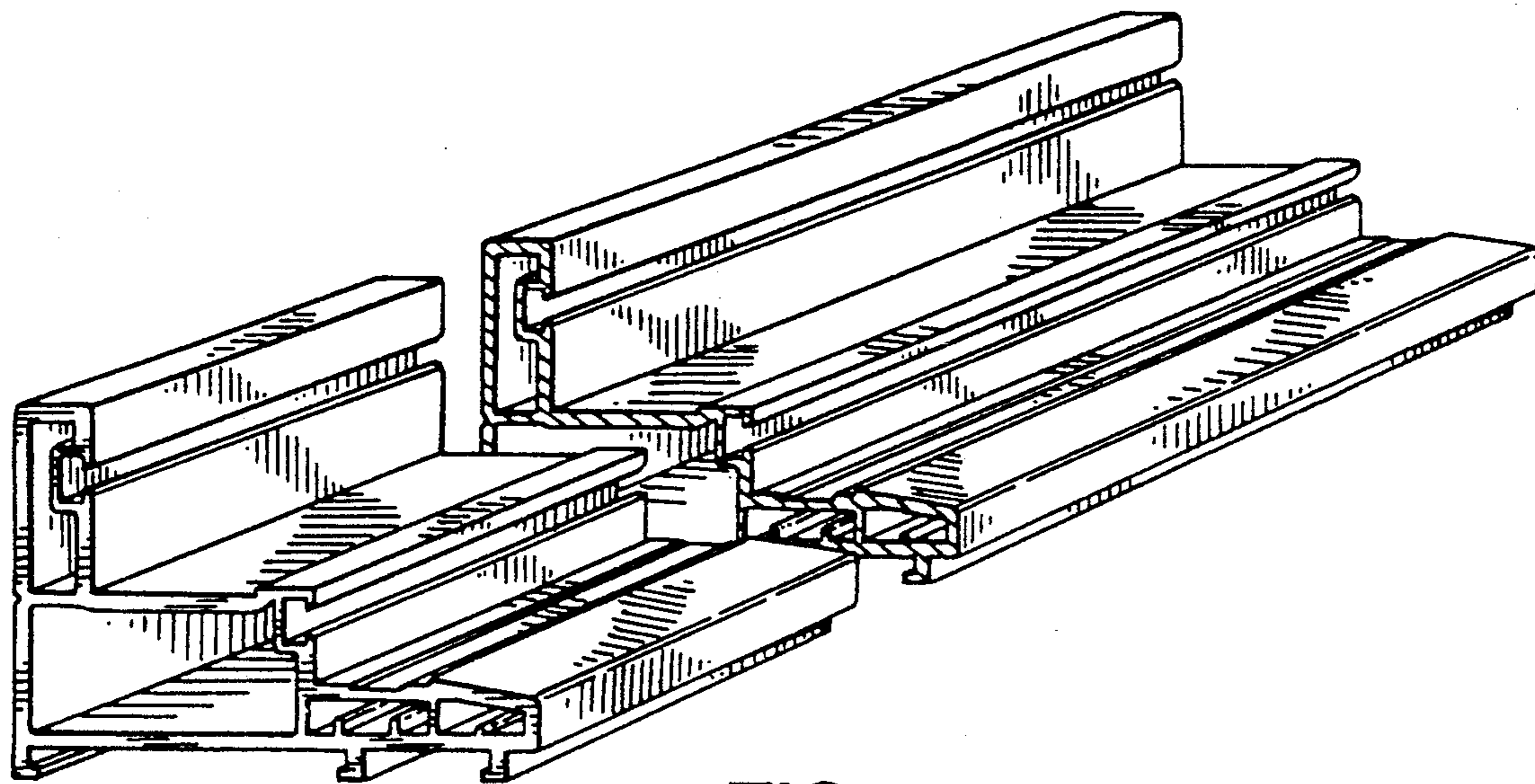


FIG. 1

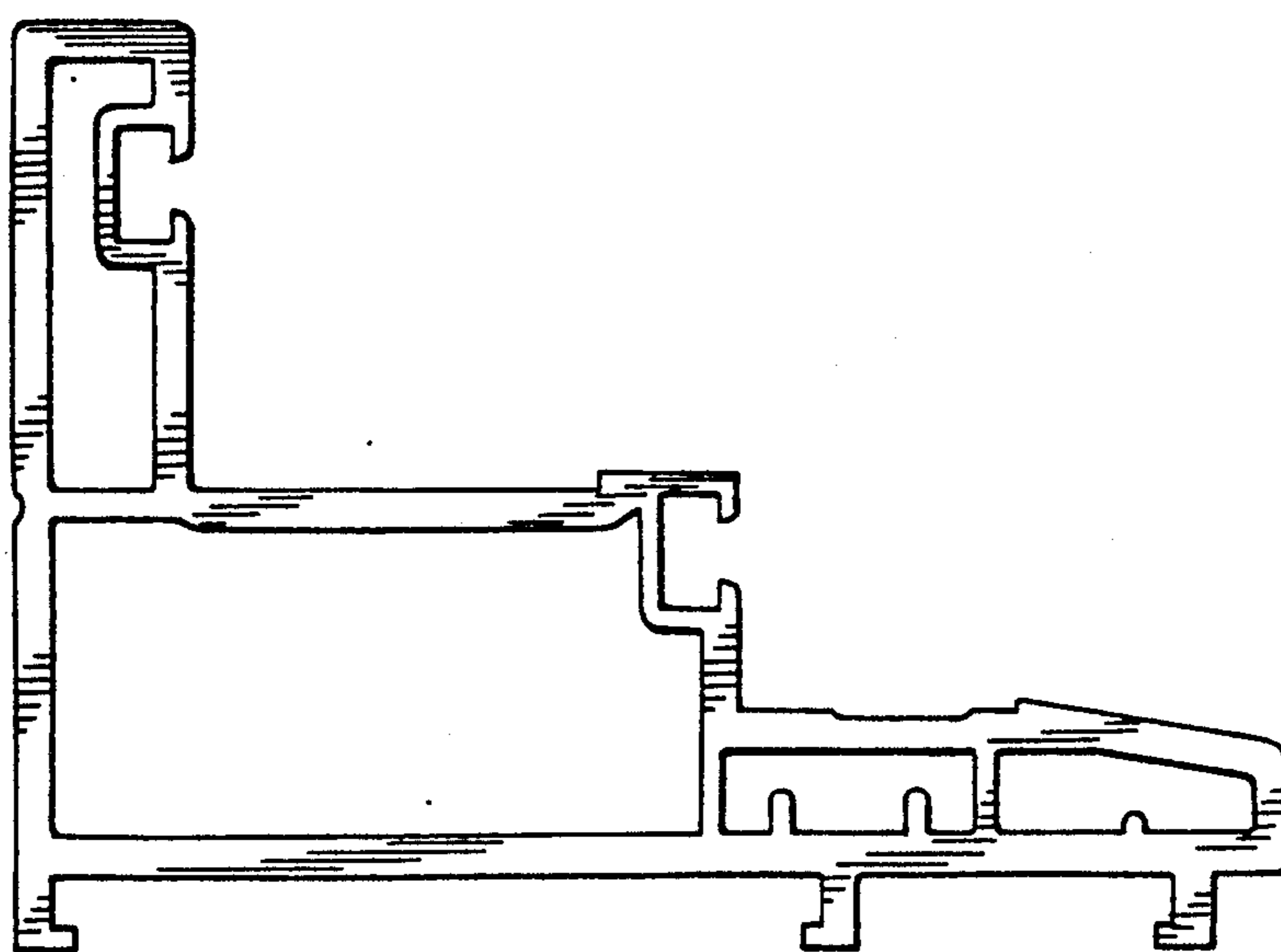


FIG. 2