



US00D325988S

# United States Patent [19]

[11] Patent Number: **Des. 325,988**

Valentin

[45] Date of Patent: **\*\* May 5, 1992**

[54] EXTRUSION FOR USE IN THE CONSTRUCTION OF A WINDOW

[56] References Cited

### U.S. PATENT DOCUMENTS

[75] Inventor: Volker S. Valentin, Indiana, Pa.

D. 308,104 5/1990 Hardy ..... D25/124  
4,569,154 2/1986 Bayer ..... 49/504  
4,979,346 12/1990 Pollard ..... 49/DIG. 1

[73] Assignee: L. B. Plastics Limited, Belper, England

*Primary Examiner*—A. Hugo Word  
*Assistant Examiner*—Doris Clark  
*Attorney, Agent, or Firm*—W. Thad Adams, III

[\*\*] Term: 14 Years

[57] CLAIM

The ornamental design for an extrusion for use in the construction of a window, as shown and described.

[21] Appl. No.: 539,040

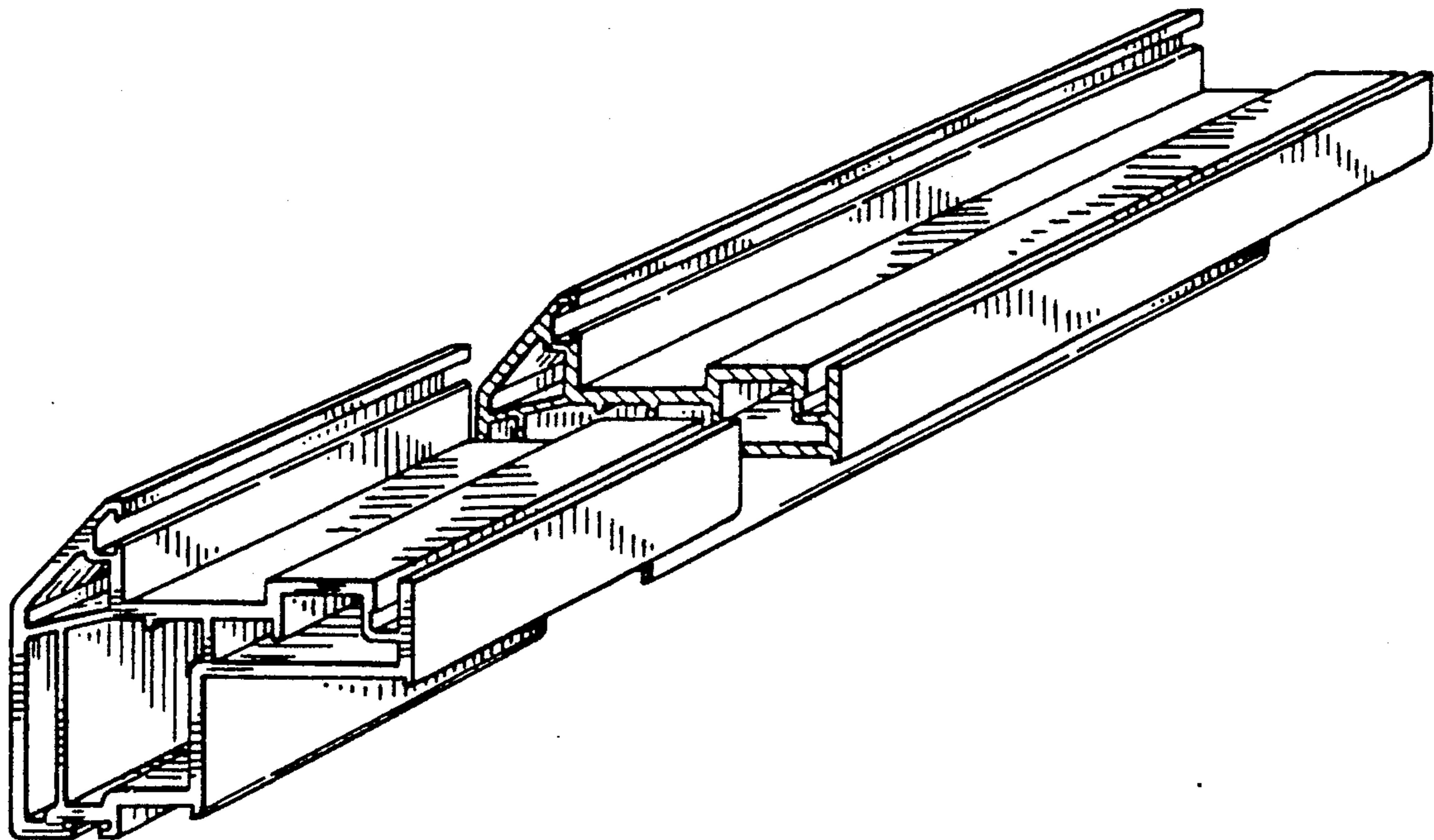
### DESCRIPTION

[22] Filed: Jun. 15, 1990

[52] U.S. Cl. .... D25/124

[58] Field of Search ..... D25/52, 119-125;  
49/501-502, 504, DIG. 1, DIG. 2; 52/171

FIG. 1 is a perspective view of an extrusion for use in the construction of a window showing my new design, the extrusion being broken in the center to indicate indeterminate length; and, FIG. 2 is an end elevational view thereof.



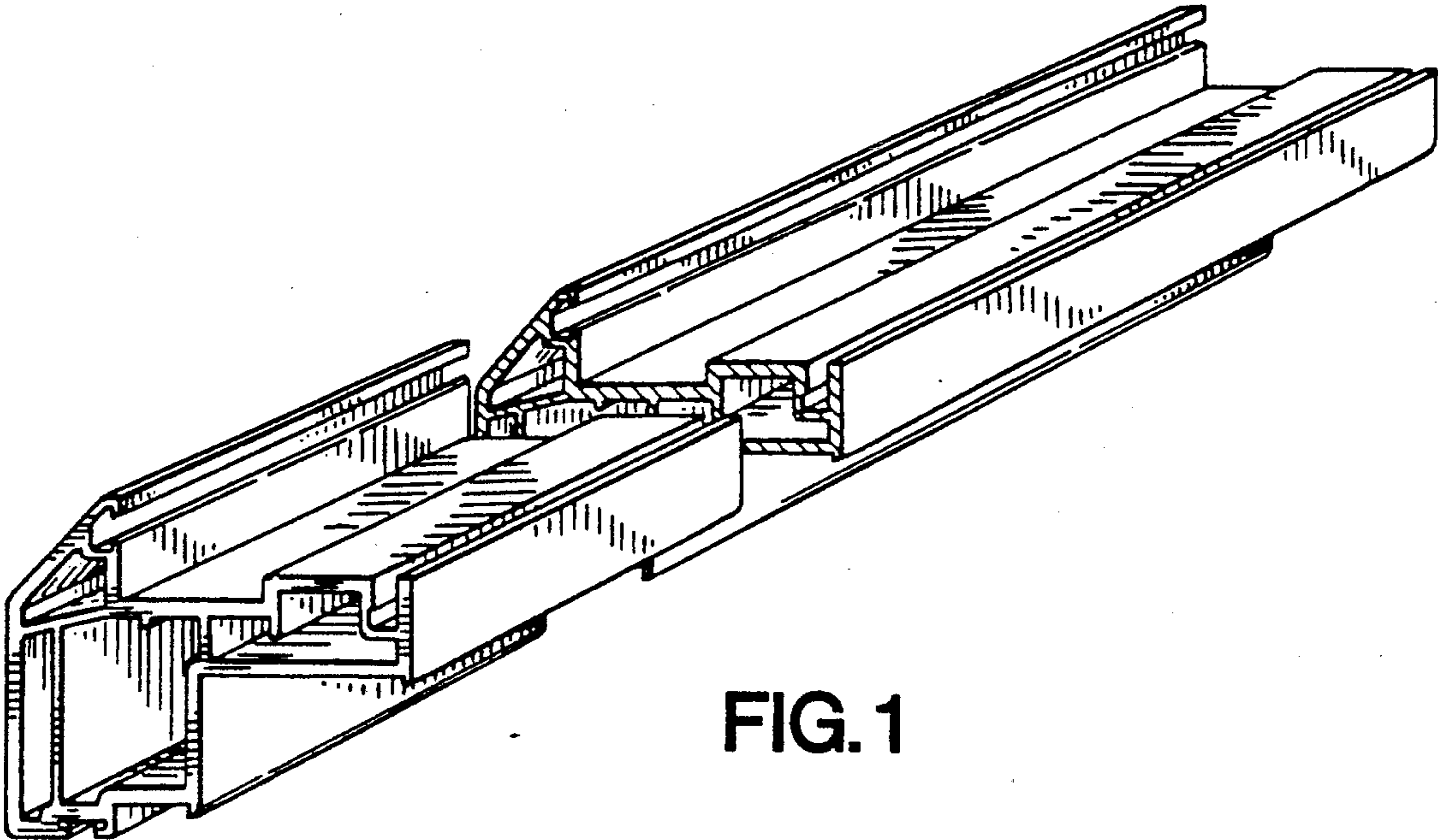


FIG. 1

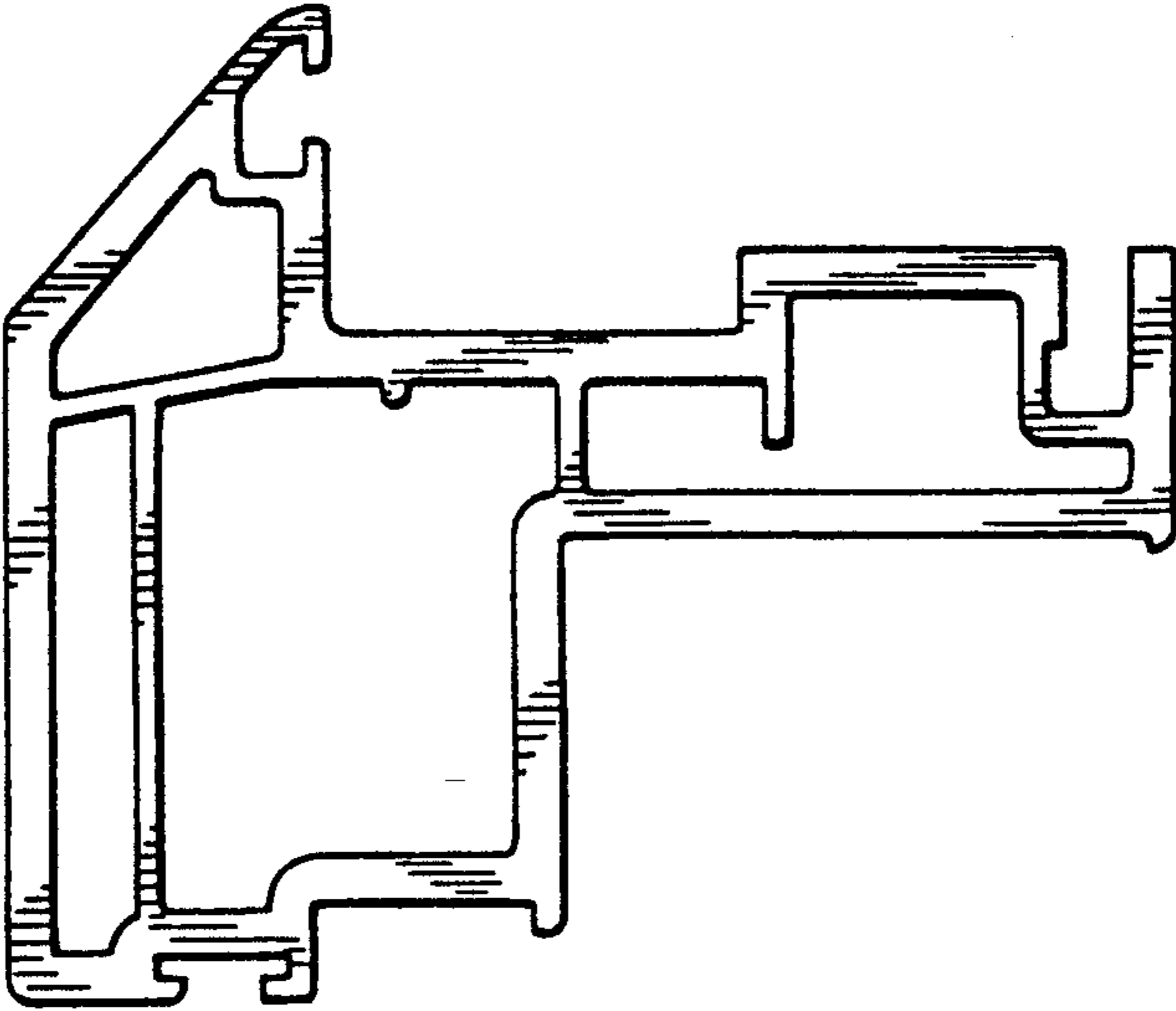


FIG. 2