



US00D325986S

# United States Patent [19]

Valentin

[11] Patent Number: **Des. 325,986**

[45] Date of Patent: **\*\* May 5, 1992**

[54] EXTRUSION FOR USE IN THE CONSTRUCTION OF A WINDOW

[75] Inventor: **Volker S. Valentin**, Indiana, Pa.

[73] Assignee: **L. B. Plastics Limited**, Belper, England

[\*\*] Term: **14 Years**

[21] Appl. No.: **539,035**

[22] Filed: **Jun. 15, 1990**

[52] U.S. Cl. .... **D25/124**

[58] Field of Search ..... **D25/52, 119-125; 49/501-502, 504, DIG. 1, DIG. 2; 52/171**

[56] **References Cited**

**U.S. PATENT DOCUMENTS**

- D. 289,552 4/1987 Hardy ..... D25/124
- D. 301,173 5/1989 Dallaire et al. .... D25/124
- 4,922,661 5/1990 Dallaire et al. .... 49/504

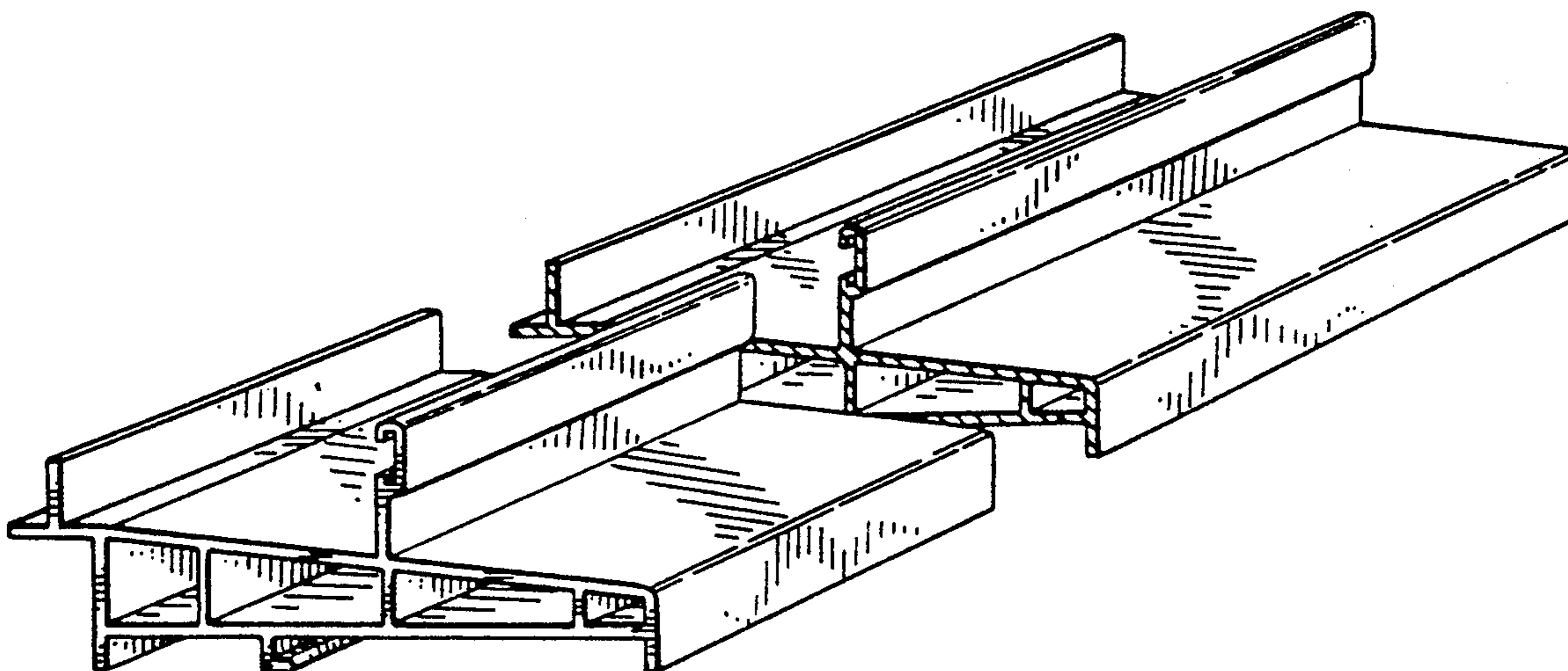
*Primary Examiner*—A. Hugo Word  
*Assistant Examiner*—Doris Clark  
*Attorney, Agent, or Firm*—W. Thad Adams, III

[57] **CLAIM**

The ornamental design for an extrusion for use in the construction of a window, as shown and described.

**DESCRIPTION**

FIG. 1 is a perspective view of an extrusion for use in the construction of a window showing my new design, the extrusion being broken in the center to indicate indeterminate length; and, FIG. 2 is an end elevational view thereof.



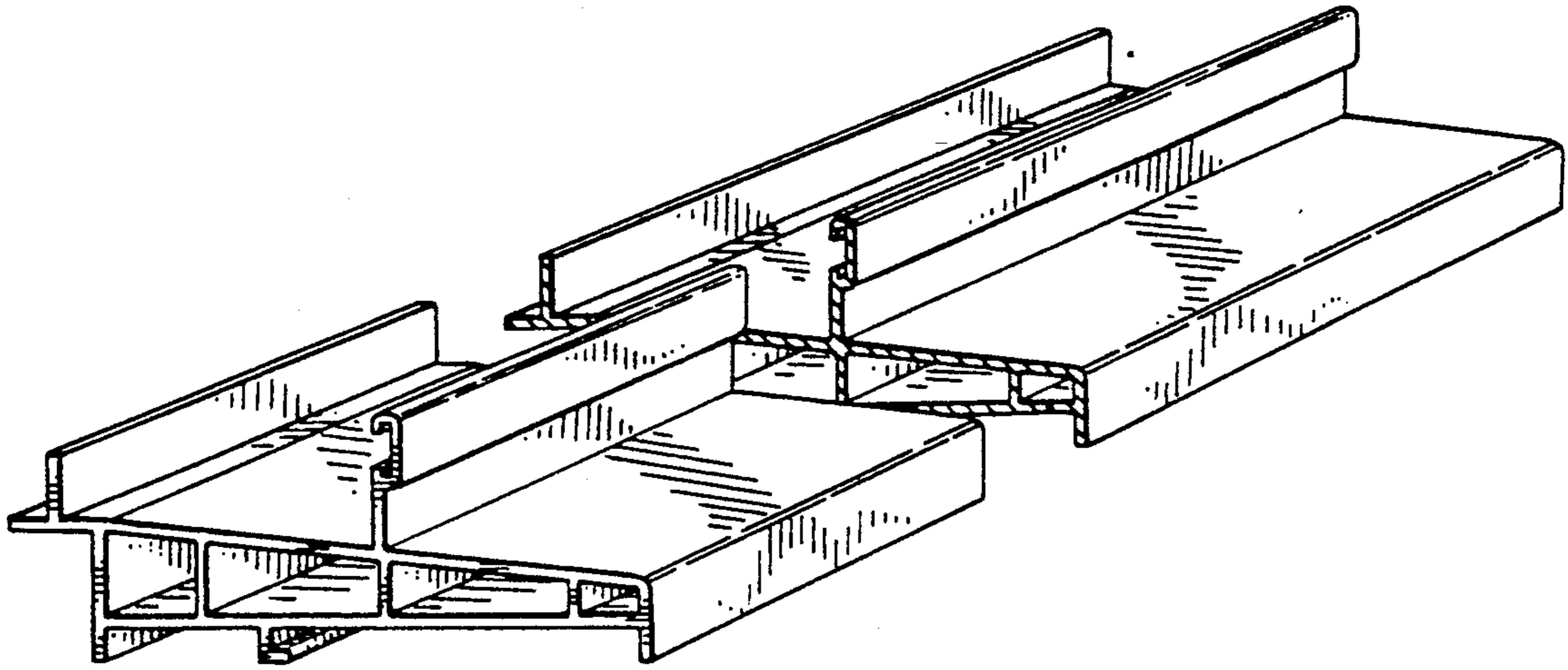


FIG. 1

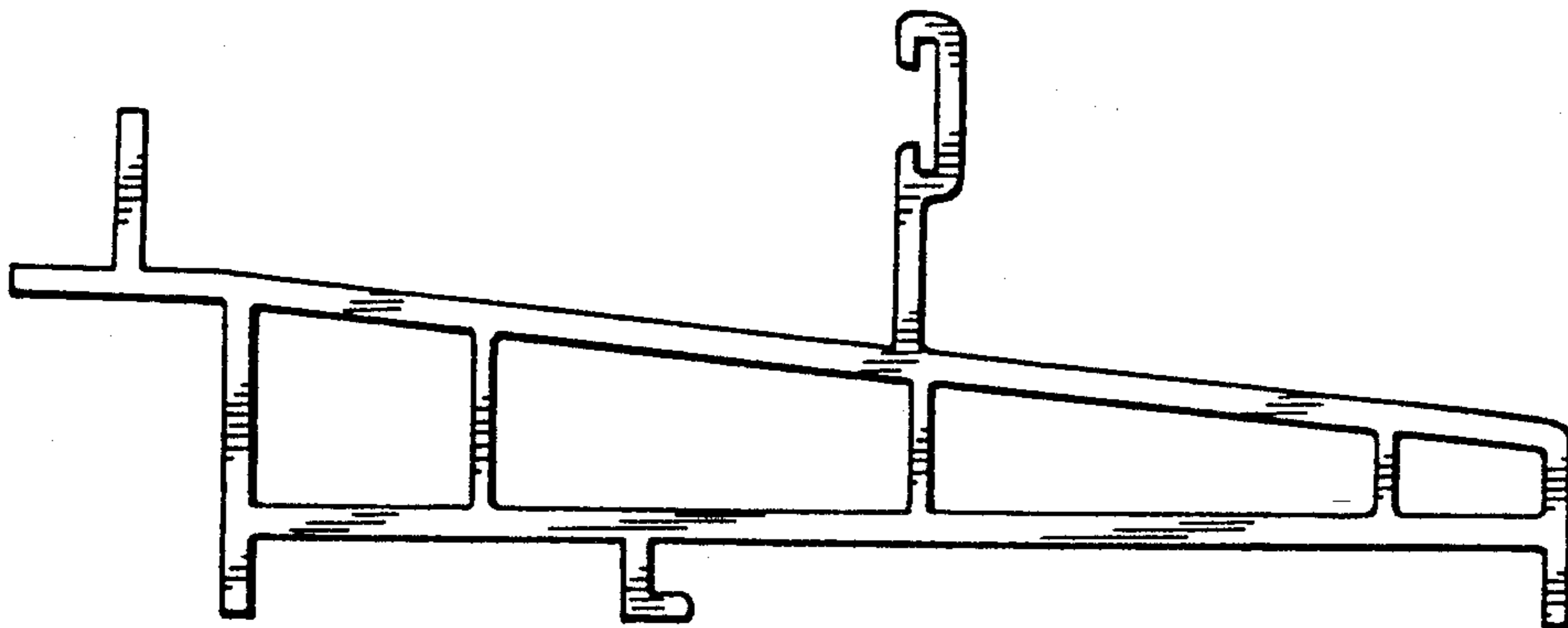


FIG. 2