



US00D325983S

# United States Patent [19]

[11] Patent Number: **Des. 325,983**

Dallaire et al.

[45] Date of Patent: **\*\* May 5, 1992**

[54] WINDOW COMPONENT EXTRUSION

[56] **References Cited**

[75] Inventors: **Raymond Dallaire; Dominique Dallaire**, both of St. David, Canada

### U.S. PATENT DOCUMENTS

D. 216,955	3/1970	Dallaire	.....	D25/124
D. 288,965	3/1987	Ward	.....	D25/124
D. 299,967	2/1989	Litchfield et al.	.....	D25/124

[73] Assignee: **Dallaire Industries Ltd.**, Quebec, Canada

*Primary Examiner*—A. Hugo Word  
*Assistant Examiner*—Doris Clark  
*Attorney, Agent, or Firm*—James D. Hall

[\*\*] Term: **14 Years**

### [57] CLAIM

The ornamental design for a window component extrusion, as shown and described.

[21] Appl. No.: **525,485**

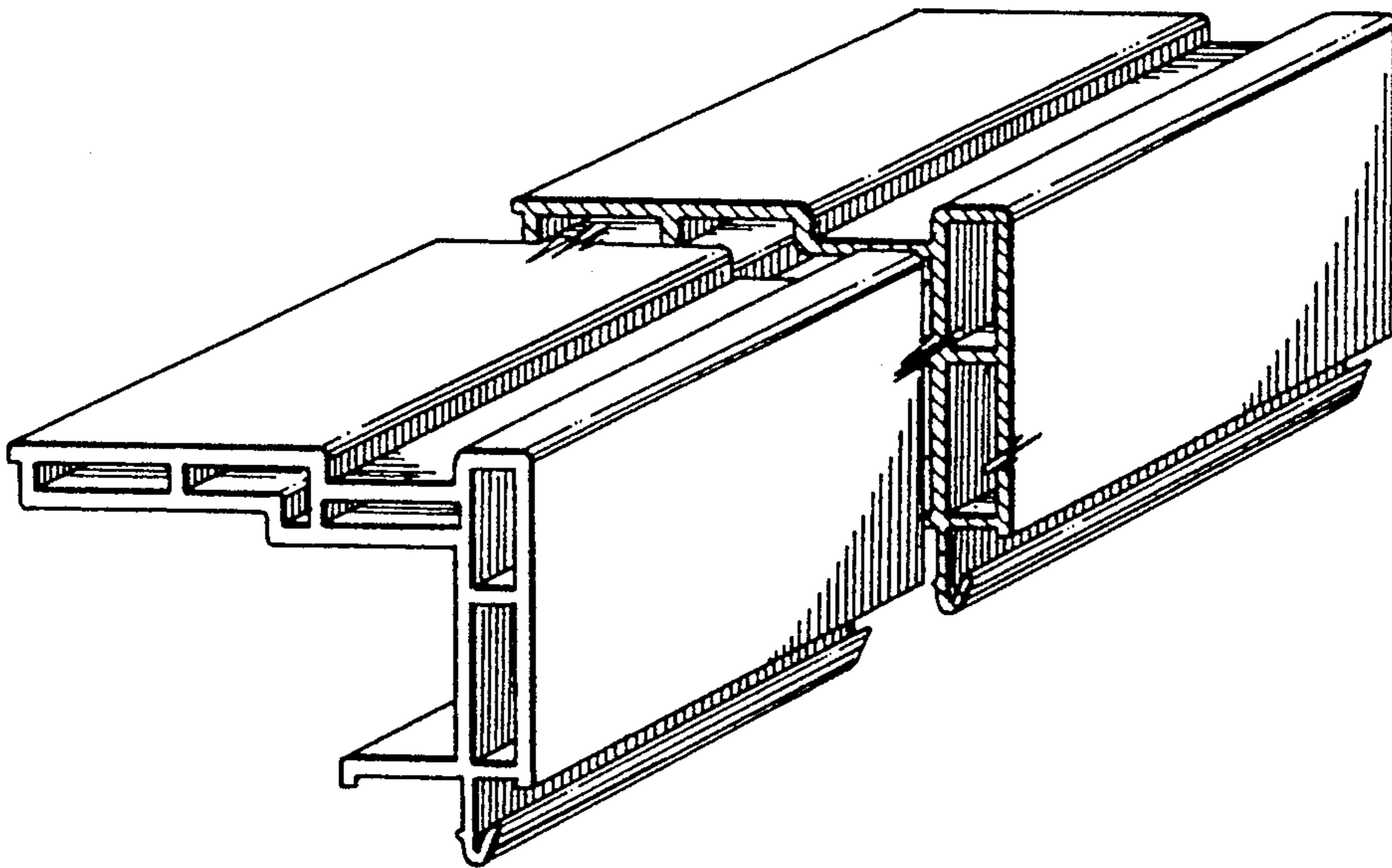
### DESCRIPTION

[22] Filed: **May 18, 1990**

[52] U.S. Cl. .... **D25/124**

[58] Field of Search ..... D25/52, 119-125;  
49/501-502, 504, DIG. 1, DIG. 2; 52/171

FIG. 1 is a right side perspective view of a window component extrusion showing our new design, the extrusion being broken in the center to indicate indeterminate length; and, FIG. 2 is a left side perspective view thereof.



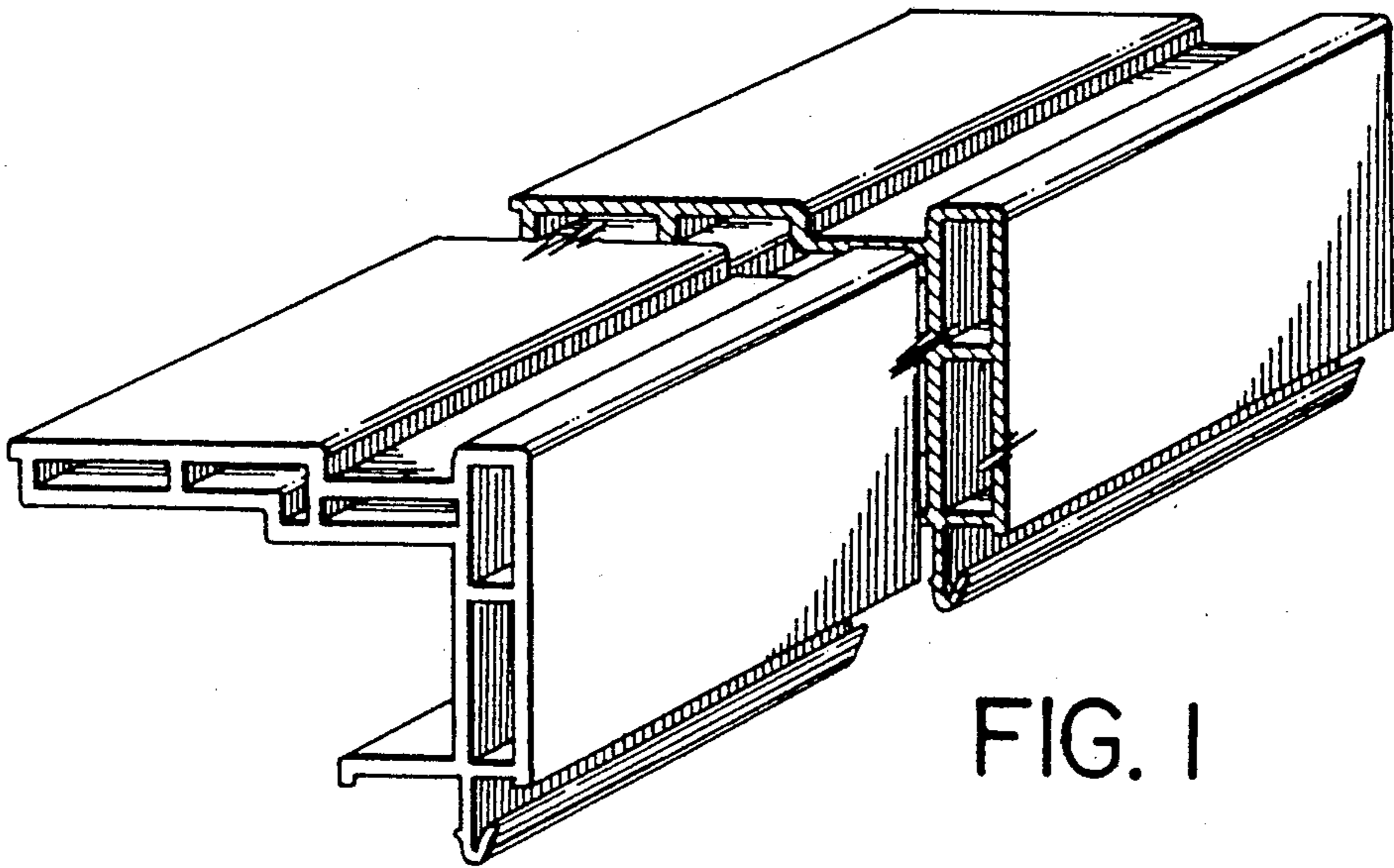


FIG. 1

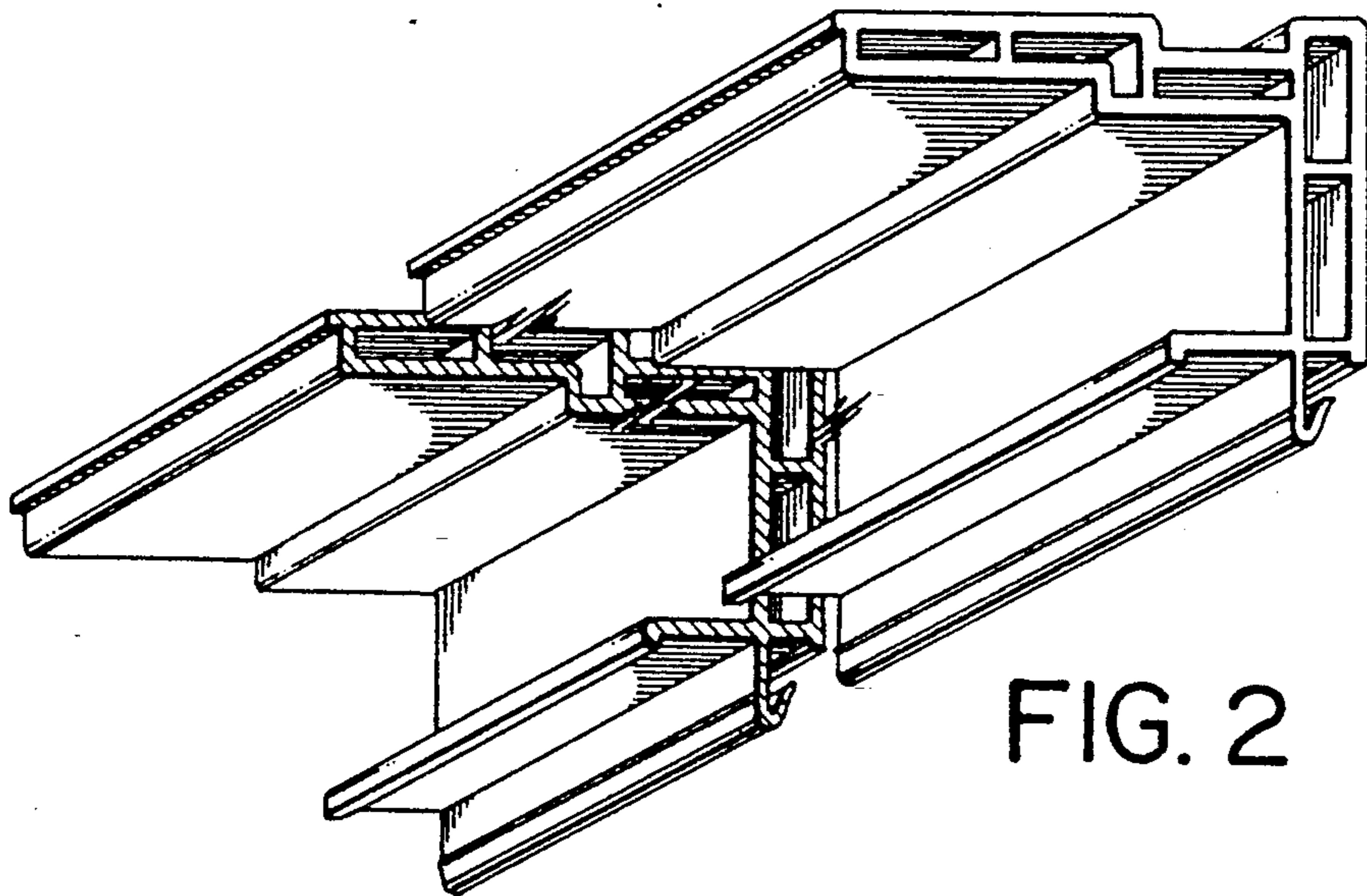


FIG. 2