



US00D325981S

United States Patent [19]

Valentin

[11] Patent Number: Des. 325,981

[45] Date of Patent: ** May 5, 1992

[54] EXTRUSION FOR USE IN THE CONSTRUCTION OF A WINDOW

[75] Inventor: Volker S. Valentin, Indiana, Pa.

[73] Assignee: L. B. Plastics Limited, Belper, England

[**] Term: 14 Years

[21] Appl. No.: 539,038

[22] Filed: Jun. 15, 1990

[52] U.S. Cl. D25/119

[58] Field of Search D25/52, 119-125; 49/501-502, 504, DIG. 1, DIG. 2; 52/171

[56] References Cited

U.S. PATENT DOCUMENTS

D. 250,420	11/1978	Ward	D25/121
3,271,063	9/1966	Garrett	49/504
4,281,480	8/1981	Wendt	49/504

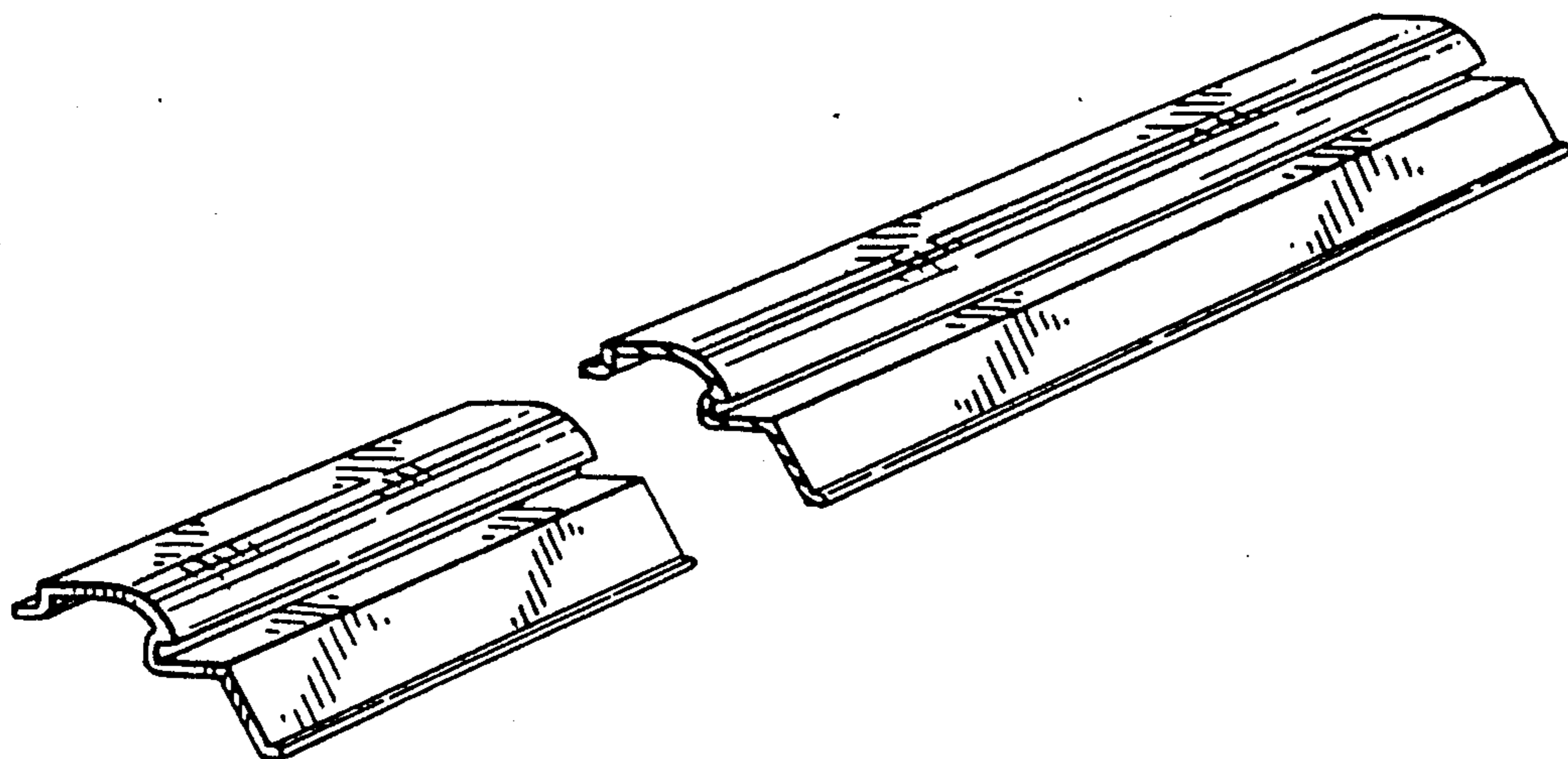
Primary Examiner—A. Hugo Word
Assistant Examiner—Doris Clark
Attorney, Agent, or Firm—W Thad Adams, III

[57] CLAIM

The ornamental design for an extrusion for use in the construction of a window, as shown and described.

DESCRIPTION

FIG. 1 is a perspective view of an extrusion for use in the construction of a window showing my new design, the extrusion being broken in the center to indicate indeterminate length; and, FIG. 2 is an end elevational view thereof.



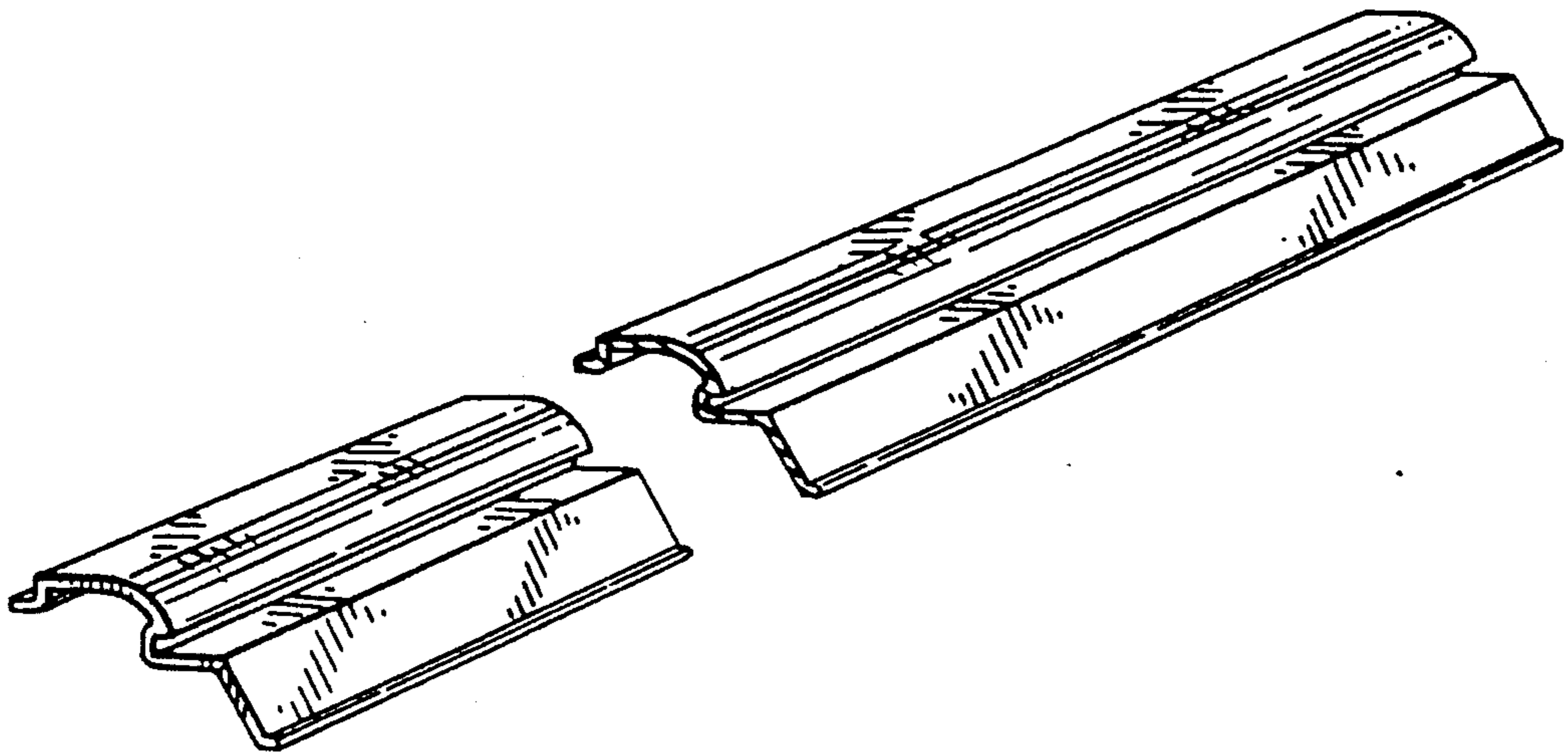


FIG. 1

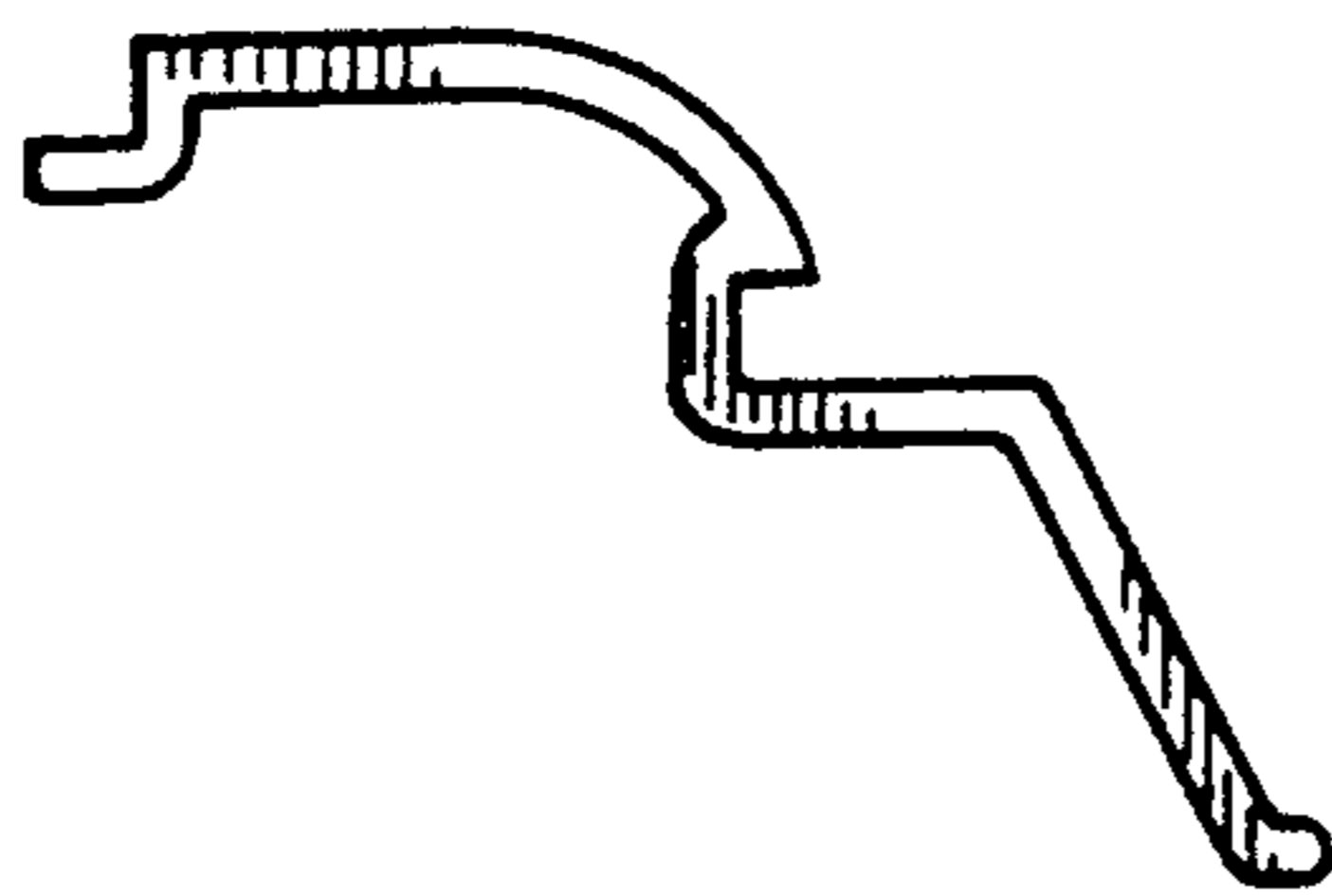


FIG. 2