



US00D325980S

United States Patent [19] Hall

[11] Patent Number: **Des. 325,980**

[45] Date of Patent: **** May 5, 1992**

[54] **DOOR MOLDING**

[76] Inventor: **Roger C. Hall, 501 Willow Dr., Jasper, Tex. 75951**

[**] Term: **14 Years**

[21] Appl. No.: **642,721**

[22] Filed: **Jan. 15, 1991**

Related U.S. Application Data

[62] Division of Ser. No. 261,061, Oct. 24, 1988, Pat. No. Des. 314,626.

[52] U.S. Cl. **D25/48**

[58] Field of Search **D25/47-48, D25/58; D6/300, 302, 329, 332, 510, 514, 520; 52/455, 456-457, 311-314; 312/458, 221, 222, 216, 219, 217, 242, 245, 109**

[56] References Cited

U.S. PATENT DOCUMENTS

304,692 9/1884 Bingaman **D25/48**
956,642 5/1910 Klein **256/19**

Primary Examiner—A. Hugo Word
Assistant Examiner—Doris Clark

[57] CLAIM

The ornamental design for a door molding, as shown and described.

DESCRIPTION

FIG. 1 is a front elevational view of a door molding showing a first embodiment of my new design, the rear elevational view being identical to the front;

FIG. 2 is a front elevational view of a second embodiment of my new design, the rear elevational view being identical to the front;

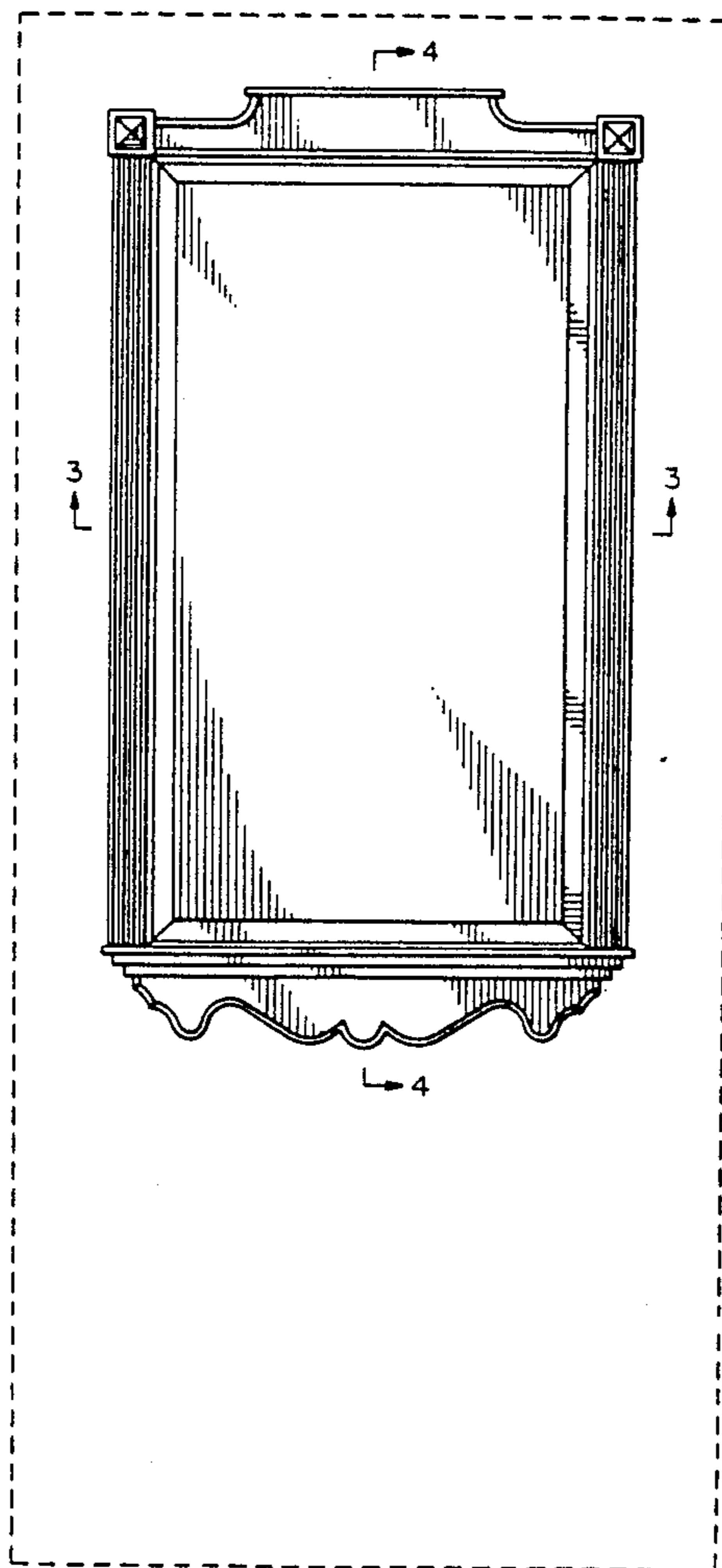
FIG. 3 is a cross-sectional view taken along line 3—3 of FIG. 1;

FIG. 4 is a cross-sectional view taken along line 4—4 of FIG. 1;

FIG. 5 is a cross-sectional view taken along line 5—5 of FIG. 2; and,

FIG. 6 is a cross-sectional view taken along line 6—6 of FIG. 2.

The broken line showing of a door is for illustrative purposes only and forms no part of the claimed design.



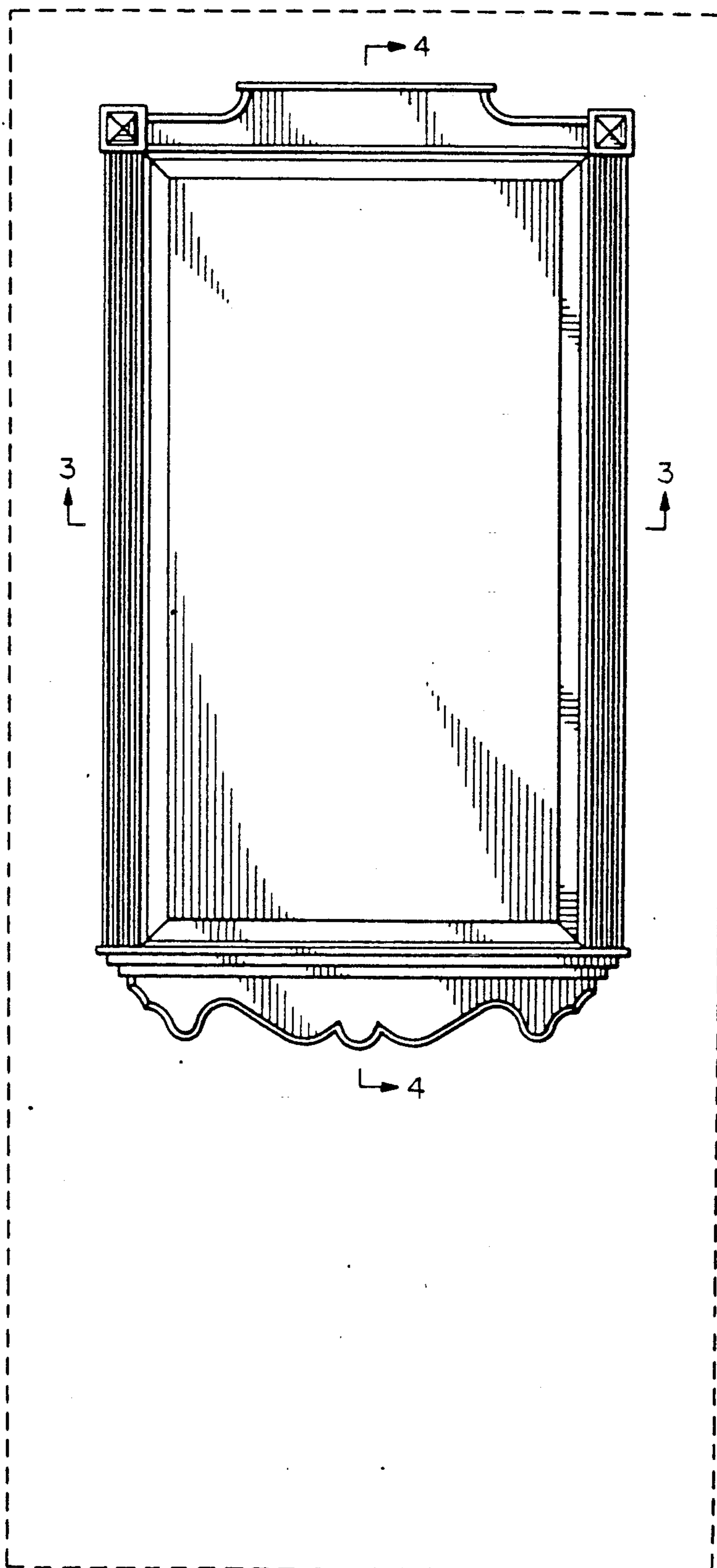


FIG. 1

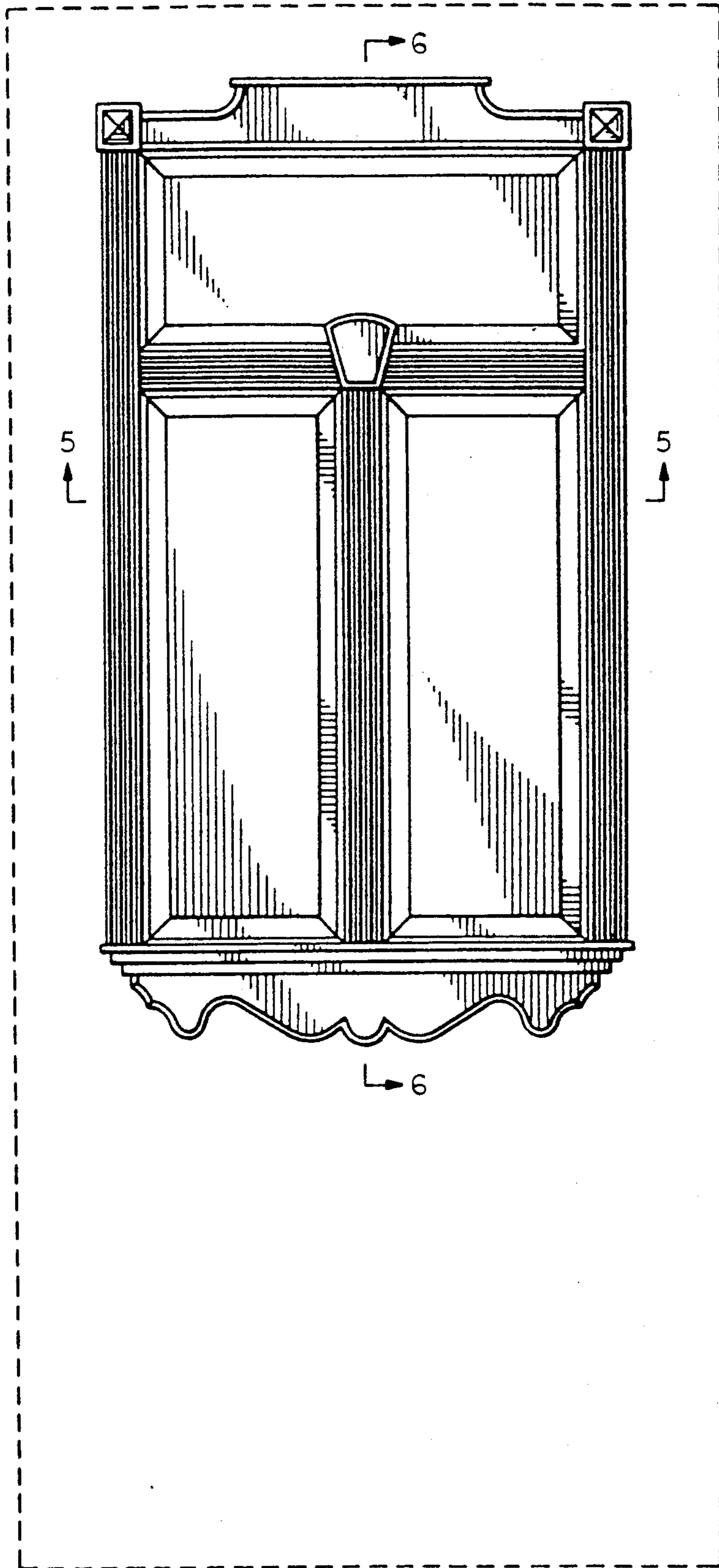


FIG. 2

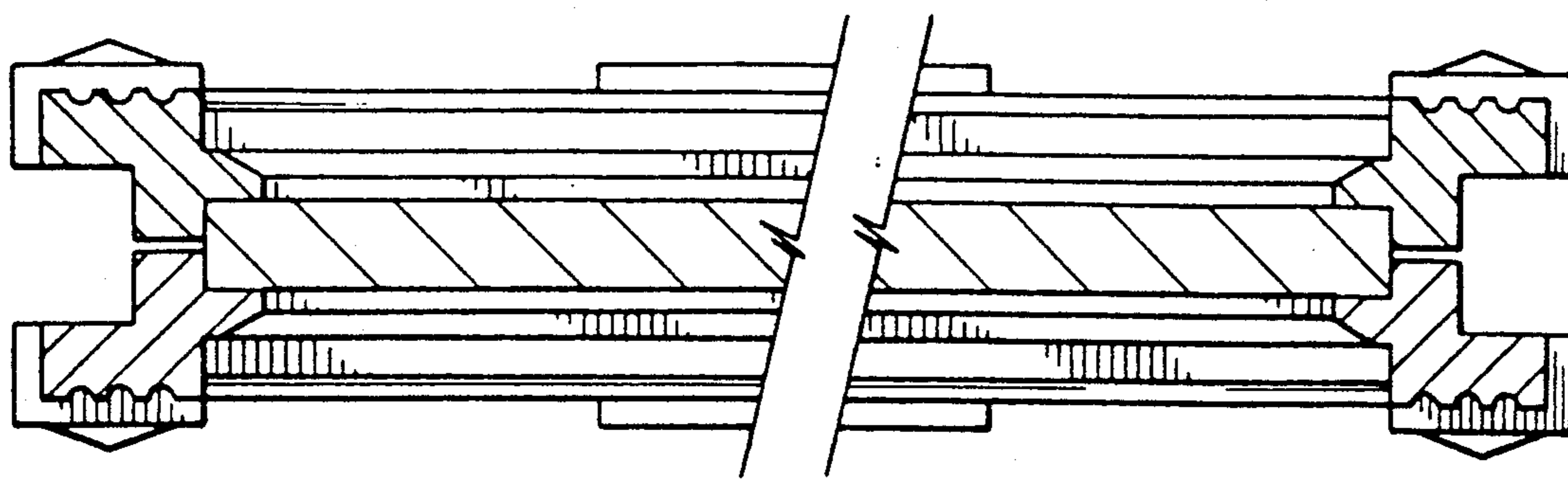


FIG. 3

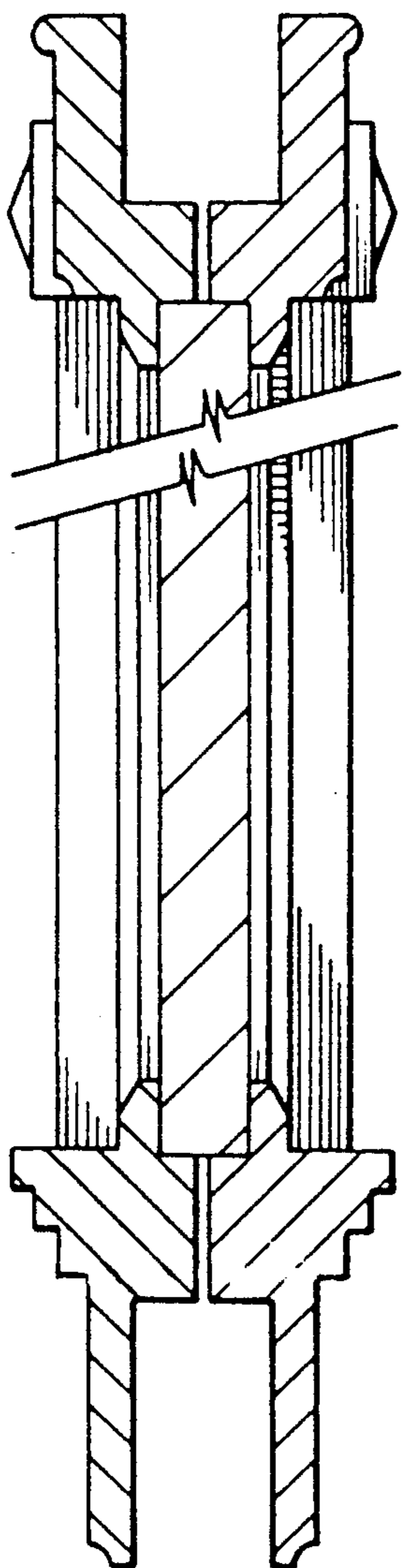


FIG. 4

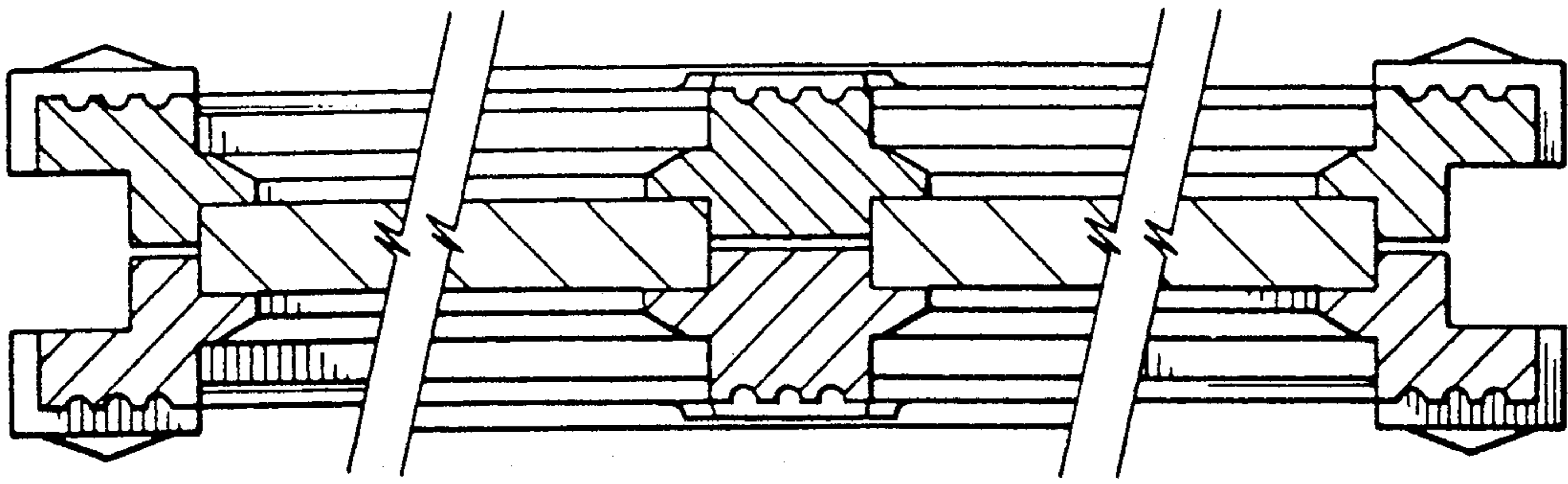


FIG. 5

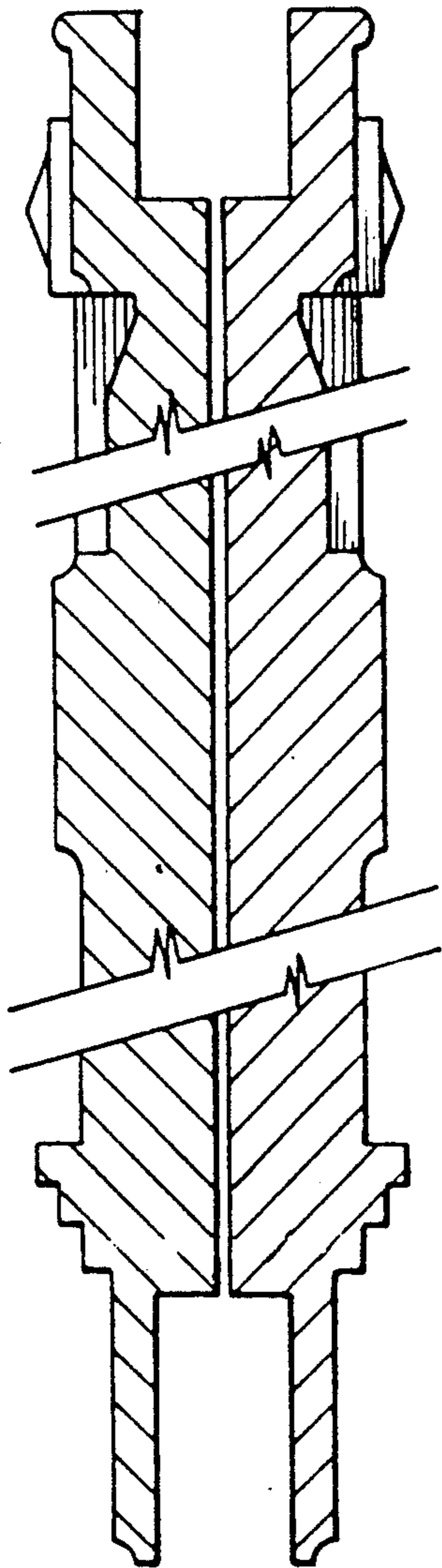


FIG. 6