



US00D325977S

# United States Patent [19]

Weir

[11] Patent Number: **Des. 325,977**

[45] Date of Patent: **\* May 5, 1992**

[54] SWIMMING POOL

[75] Inventor: Donald H. Weir, York, Pa.

[73] Assignee: Wexco Incorporated, York, Pa.

[\*] Notice: The portion of the term of this patent subsequent to Mar. 31, 2006 has been disclaimed.

[\*\*] Term: 14 Years

[21] Appl. No.: 395,913

[22] Filed: Aug. 7, 1989

[52] U.S. Cl. .... D25/2

[58] Field of Search ..... D25/2; D24/38; D23/277, D23/280, 287; 52/169.7, 169.8, 169.9; 4/506, 513, 488-489, 538, 555, 584, 541-542, 490

[56] References Cited

### U.S. PATENT DOCUMENTS

D. 308,574 6/1990 Di Innocente et al. .... D24/38  
D. 313,838 1/1991 Lenahan ..... D23/277  
3,592,435 7/1971 Mattingly ..... D25/2 X

*Primary Examiner*—A. Hugo Word  
*Assistant Examiner*—Doris V. Coles  
*Attorney, Agent, or Firm*—Arthur J. Plantamura

[57] CLAIM

The ornamental design for a swimming pool, as shown and described.

### DESCRIPTION

FIG. 1 is a perspective view of a swimming pool showing my new design;  
FIG. 2 is a top plan view thereof;  
FIG. 3 is a cross sectional view taken along line 3—3 of FIG. 2;  
FIG. 4 is an end cross sectional view, taken along line 4—4 of FIG. 2; and,  
FIG. 5 is the opposite end view, taken along line 5—5 of FIG. 2.

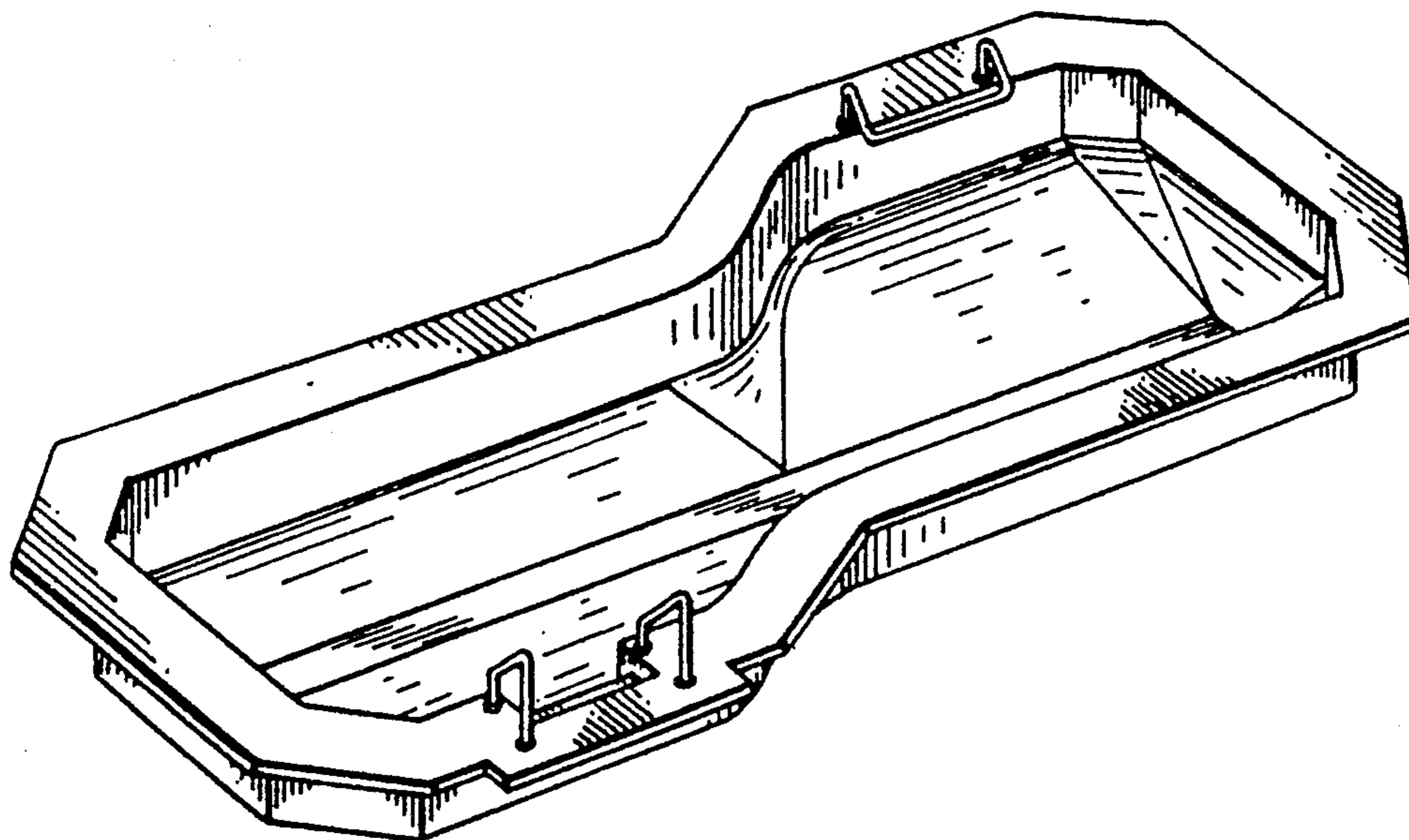


FIG. 1

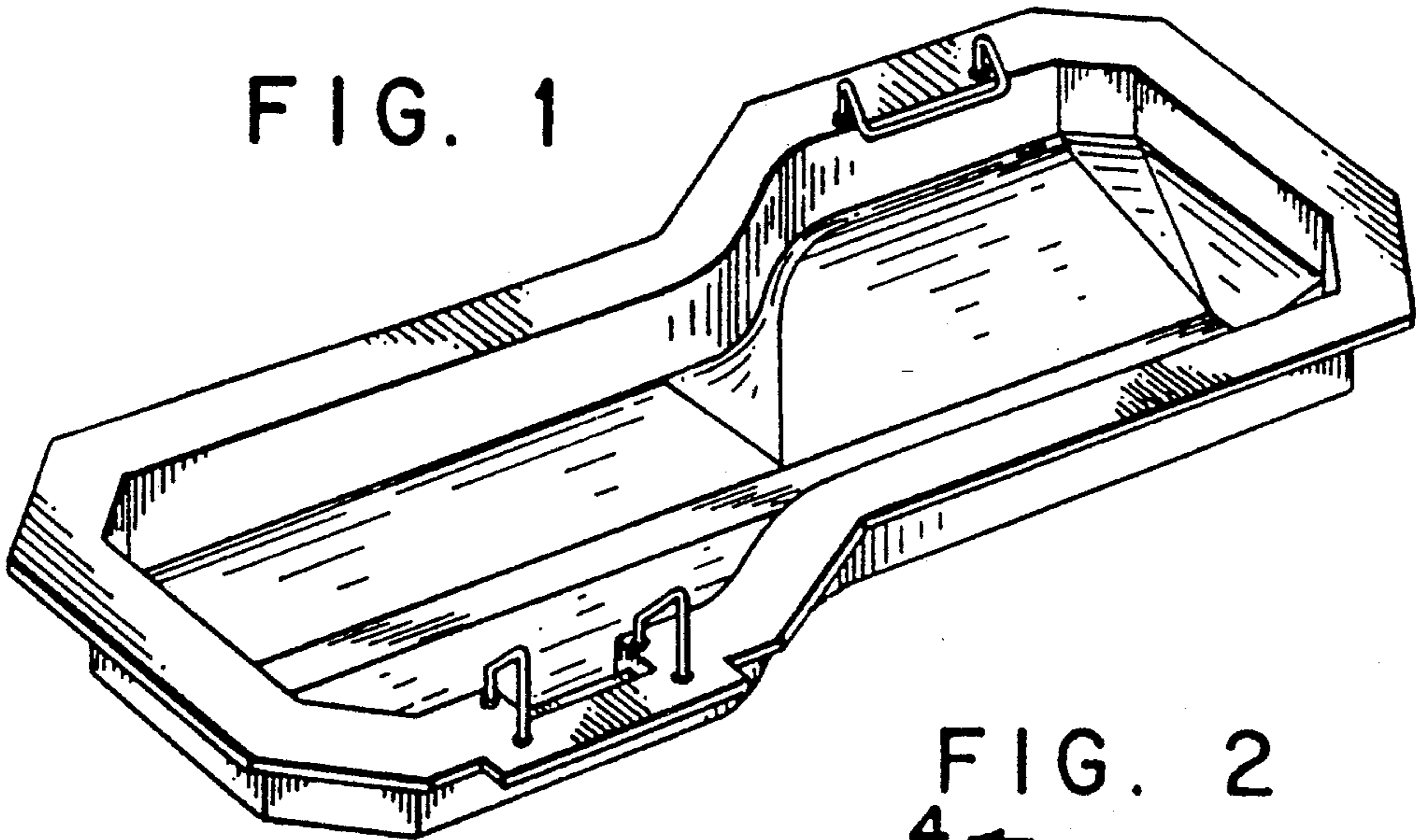


FIG. 2

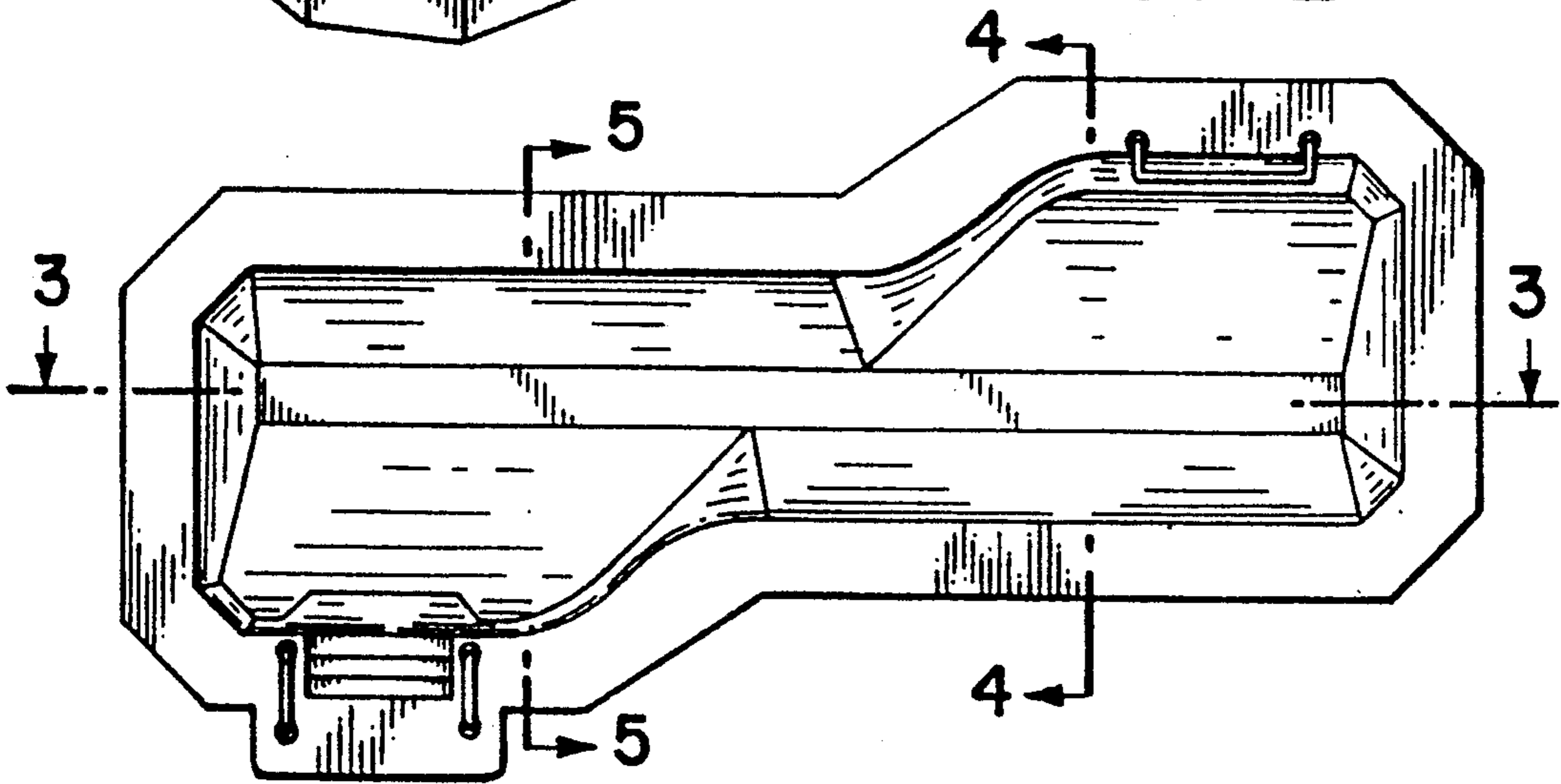


FIG. 3

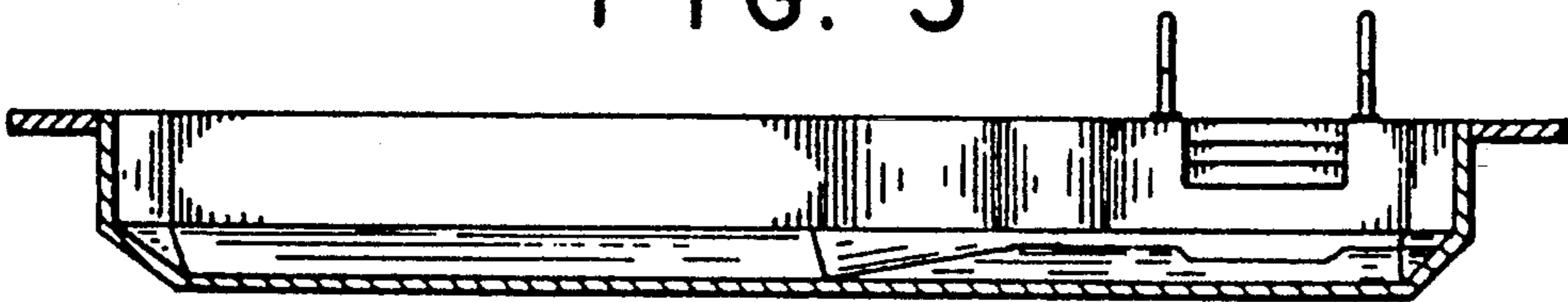


FIG. 4

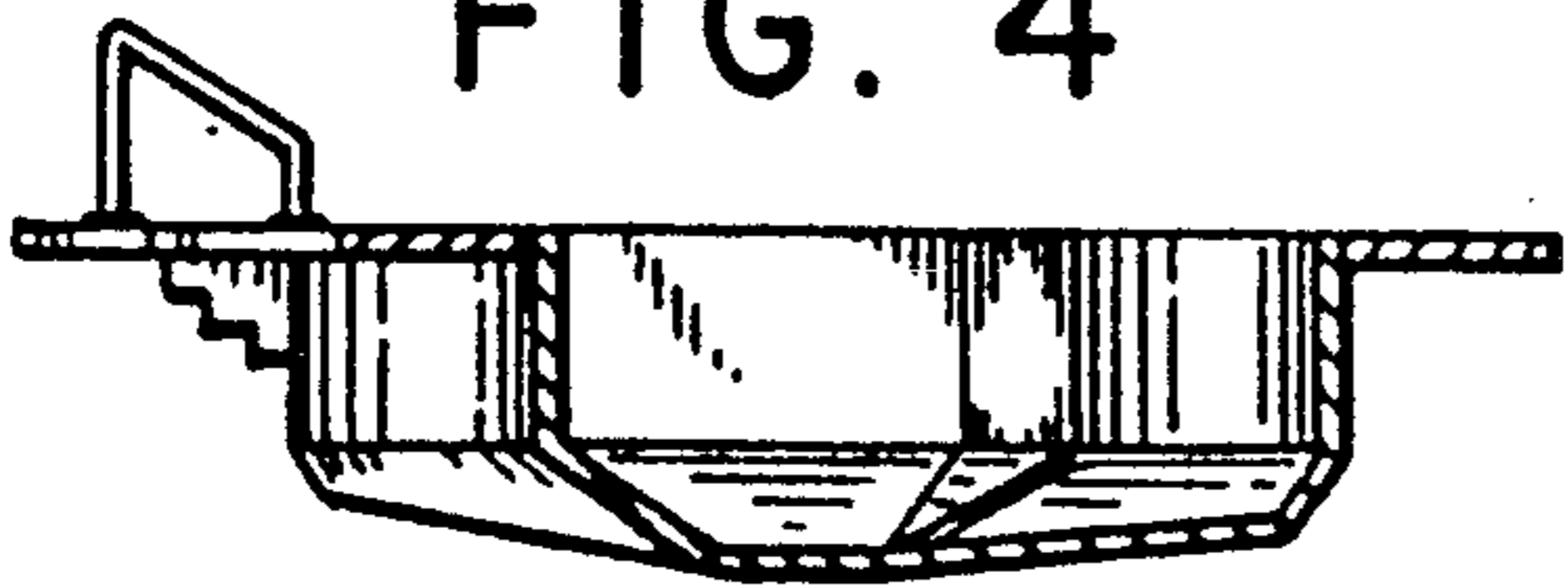


FIG. 5

