



US00D325976S

# United States Patent [19] Weir

[11] Patent Number: **Des. 325,976**

[45] Date of Patent: **\*\* May 5, 1992**

[54] **SWIMMING POOL**

[75] Inventor: **Donald H. Weir, York, Pa.**

[73] Assignee: **Wexco Incorporated, York, Pa.**

[\*] Notice: **The portion of the term of this patent subsequent to Jan. 14, 2006 has been disclaimed.**

[\*\*] Term: **14 Years**

[21] Appl. No.: **395,912**

[22] Filed: **Aug. 7, 1989**

[52] U.S. Cl. .... **D25/2**

[58] Field of Search ..... **D25/2; D24/38; D23/277, D23/280, 287; 52/169.7, 169.8, 169.9; 4/506, 513, 488-489, 538, 555, 584, 541-542, 490**

[56] **References Cited**

### U.S. PATENT DOCUMENTS

D. 122,594 9/1940 Goeltz ..... D23/277  
D. 244,452 5/1977 Ohshiro ..... D25/2

*Primary Examiner*—A. Hugo Word  
*Assistant Examiner*—Doris V. Coles  
*Attorney, Agent, or Firm*—Arthur J. Plantamura

[57] **CLAIM**

The ornamental design for a swimming pool, as shown and described.

### DESCRIPTION

FIG. 1 is a perspective view of a swimming pool showing my new design;  
FIG. 2 is a top plan view thereof;  
FIG. 3 is a cross sectional view taken along line 3—3 of FIG. 2;  
FIG. 4 is an end cross sectional view, taken along line 4—4 of FIG. 2; and,  
FIG. 5 is the opposite end view, taken along line 5—5 of FIG. 2.

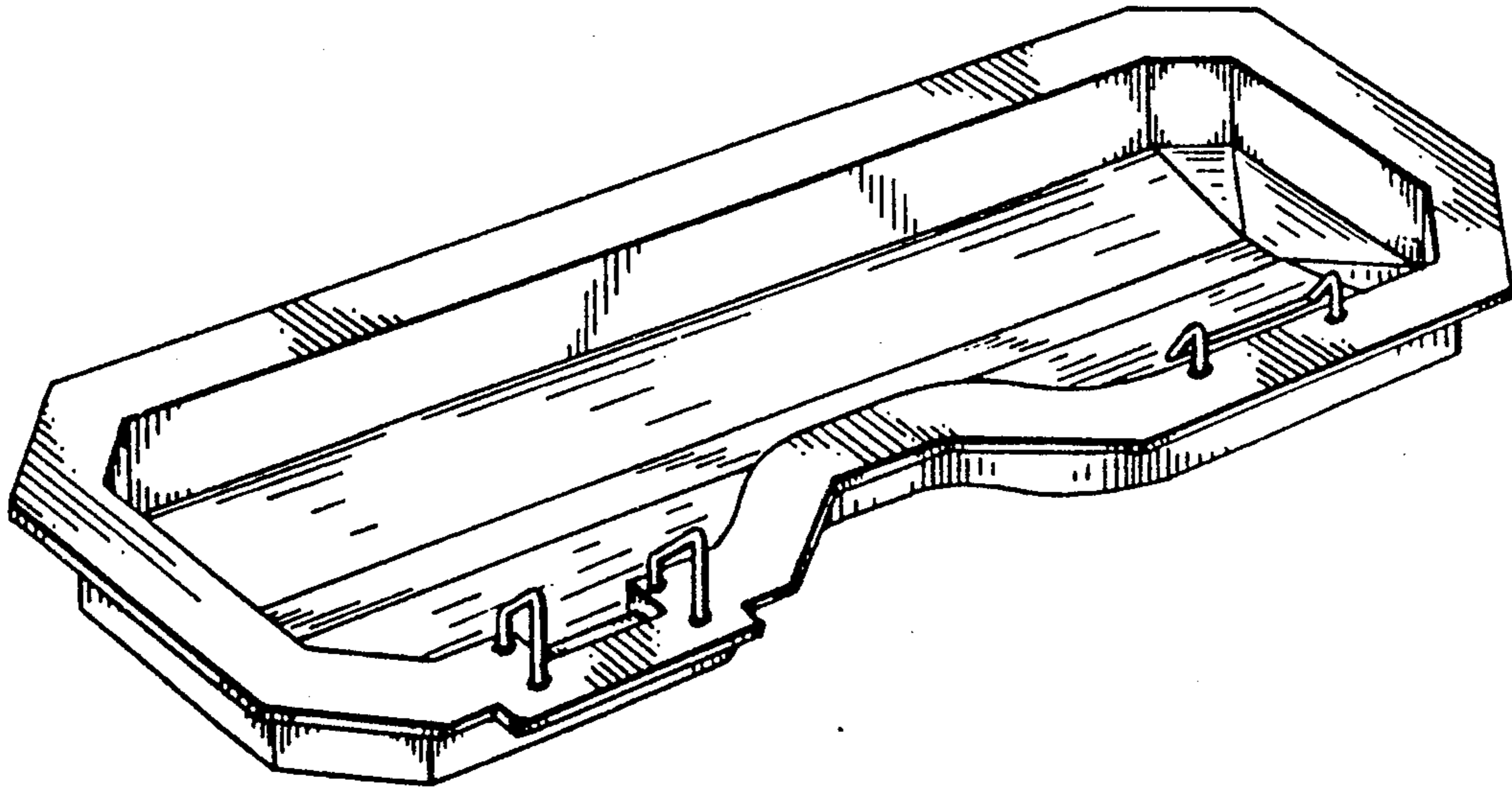


FIG. 1

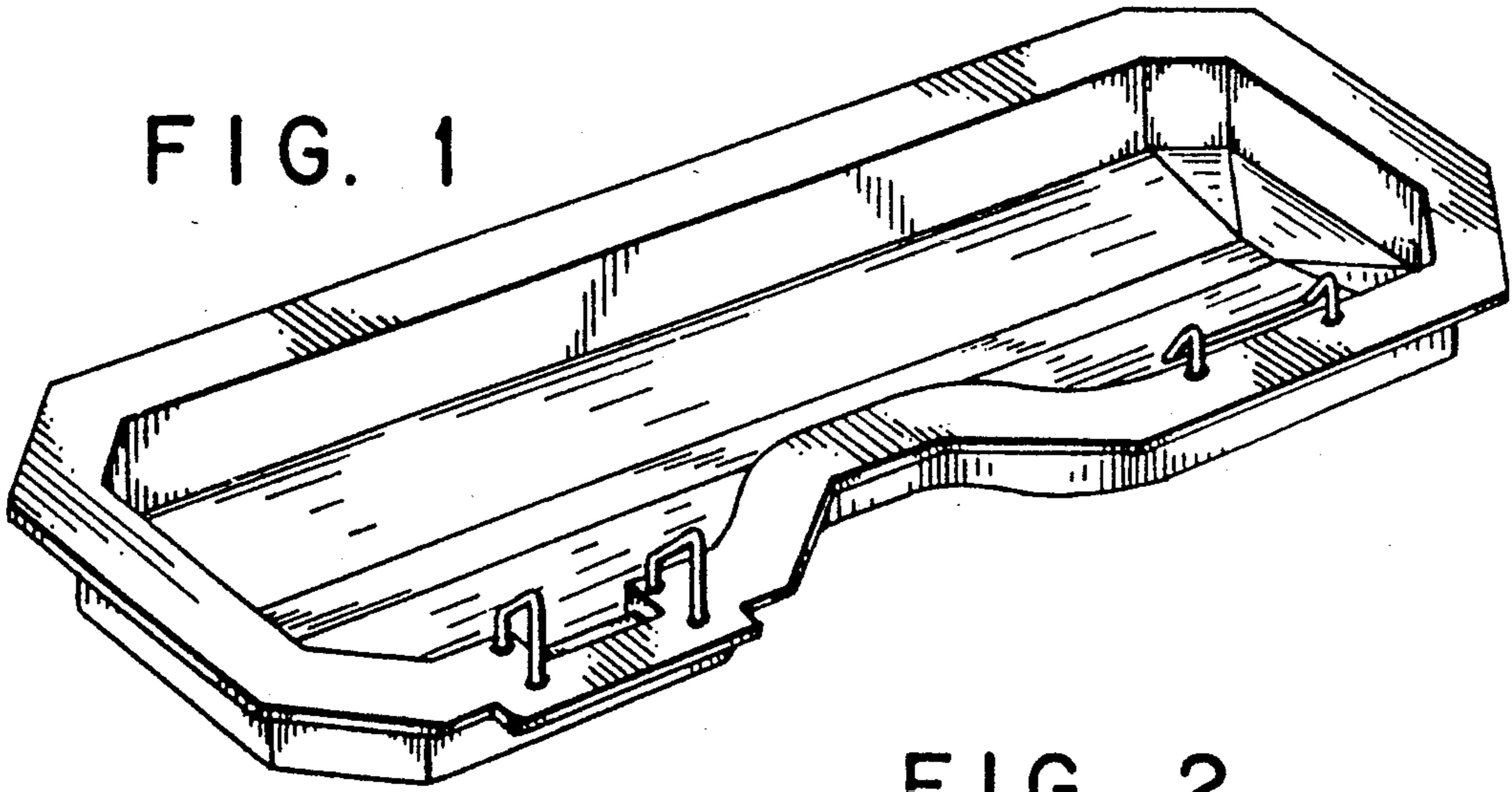


FIG. 2

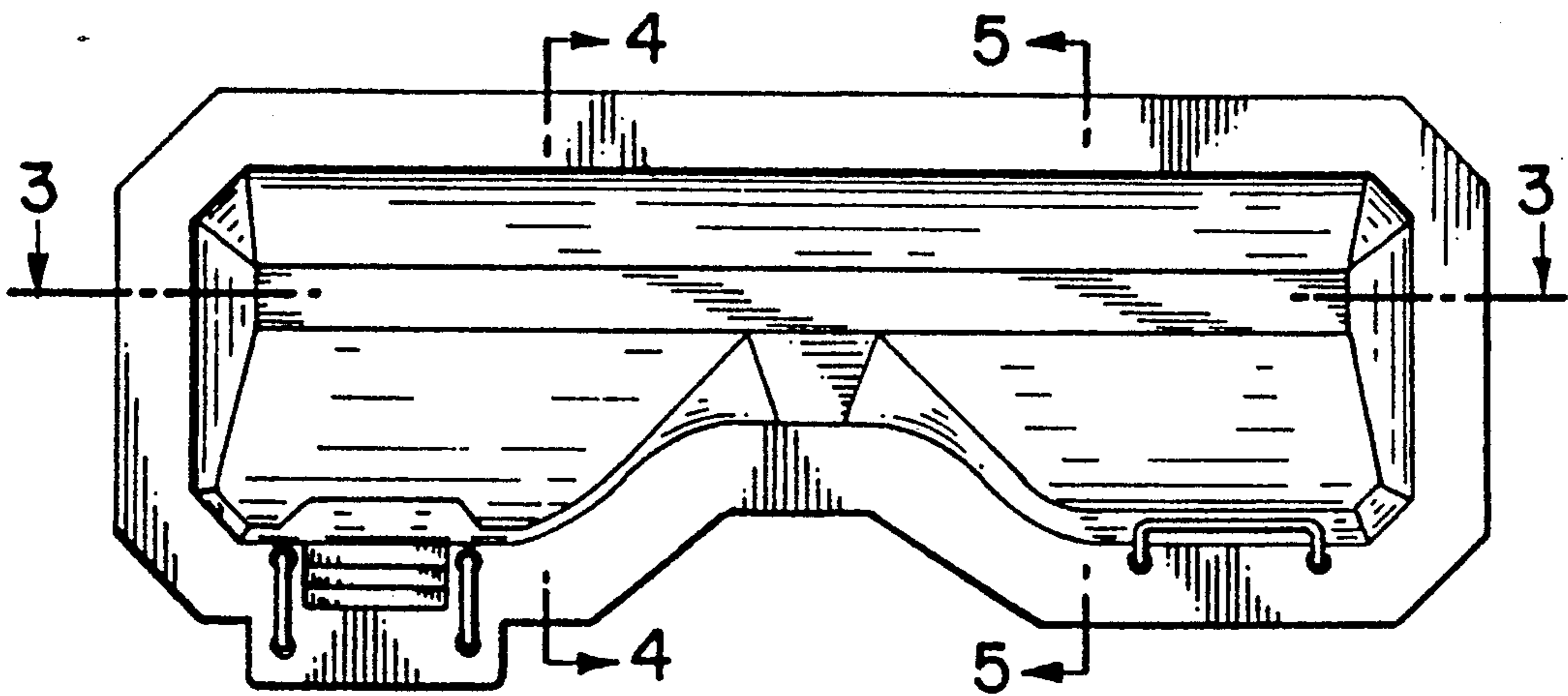


FIG. 3

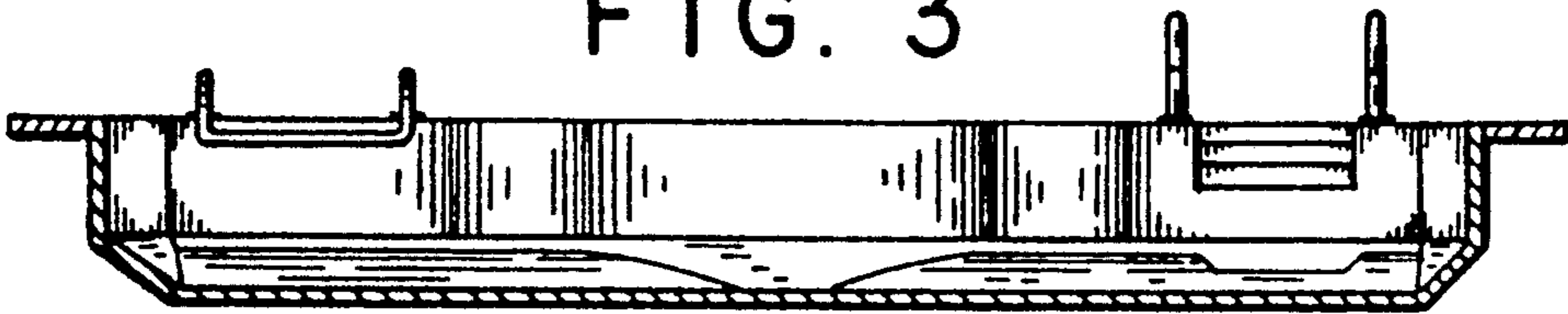


FIG. 4

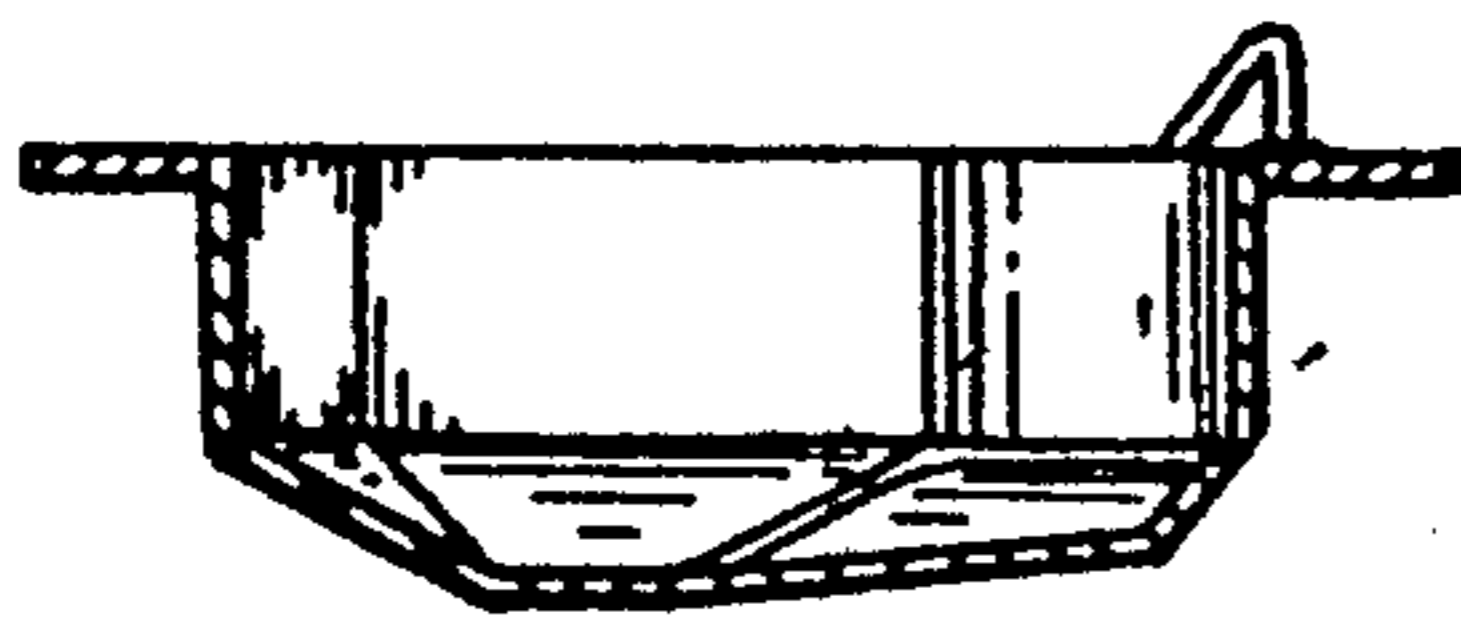


FIG. 5

