



US00D325972S

# United States Patent [19]

Chen et al.

[11] Patent Number: **Des. 325,972**

[45] Date of Patent: **\*\* May 5, 1992**

[54] DISPOSABLE NURSER HOOD

[75] Inventors: **Yin I. Chen, Naperville, Ill.; William Bartasevich, Kent, Ohio**

[73] Assignee: **Lisco, Inc., Tampa, Fla.**

[\*\*] Term: **14 Years**

[21] Appl. No.: **481,472**

[22] Filed: **Feb. 16, 1990**

[52] U.S. Cl. .... **D24/193; D9/453; D24/197**

[58] Field of Search ..... **D9/307, 328, 349, 353, D9/355, 387, 398, 401, 406, 434, 435, 438, 447, 453, 455, 456; D24/121, 127, 130, 193, 197, 198, 199, 224; 215/11.1, 11.2, 11.3, 11.4, 11.5, 11.6; 248/103, 104, 105, 106**

[56] References Cited

### U.S. PATENT DOCUMENTS

D. 084,966	8/1931	Weisenburg .....	D9/453
D. 276,700	12/1984	Brown et al. ....	D9/453
D. 288,667	3/1987	Miner .....	D9/453
2,834,496	5/1958	Boston et al. ....	215/11.1
2,953,921	9/1960	Muncheryan .....	215/11.2
3,253,726	5/1966	Meierhoffer .....	215/11.1

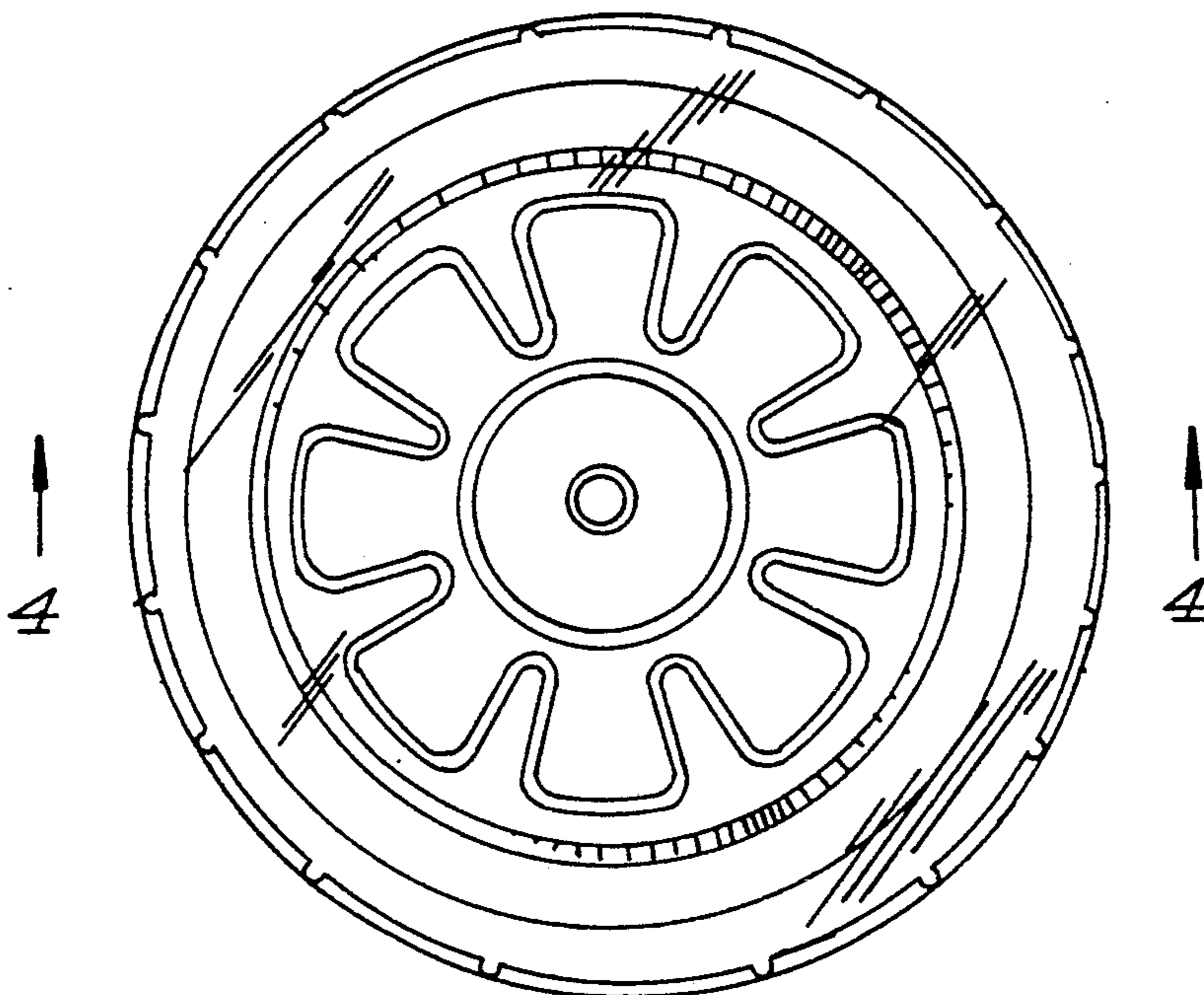
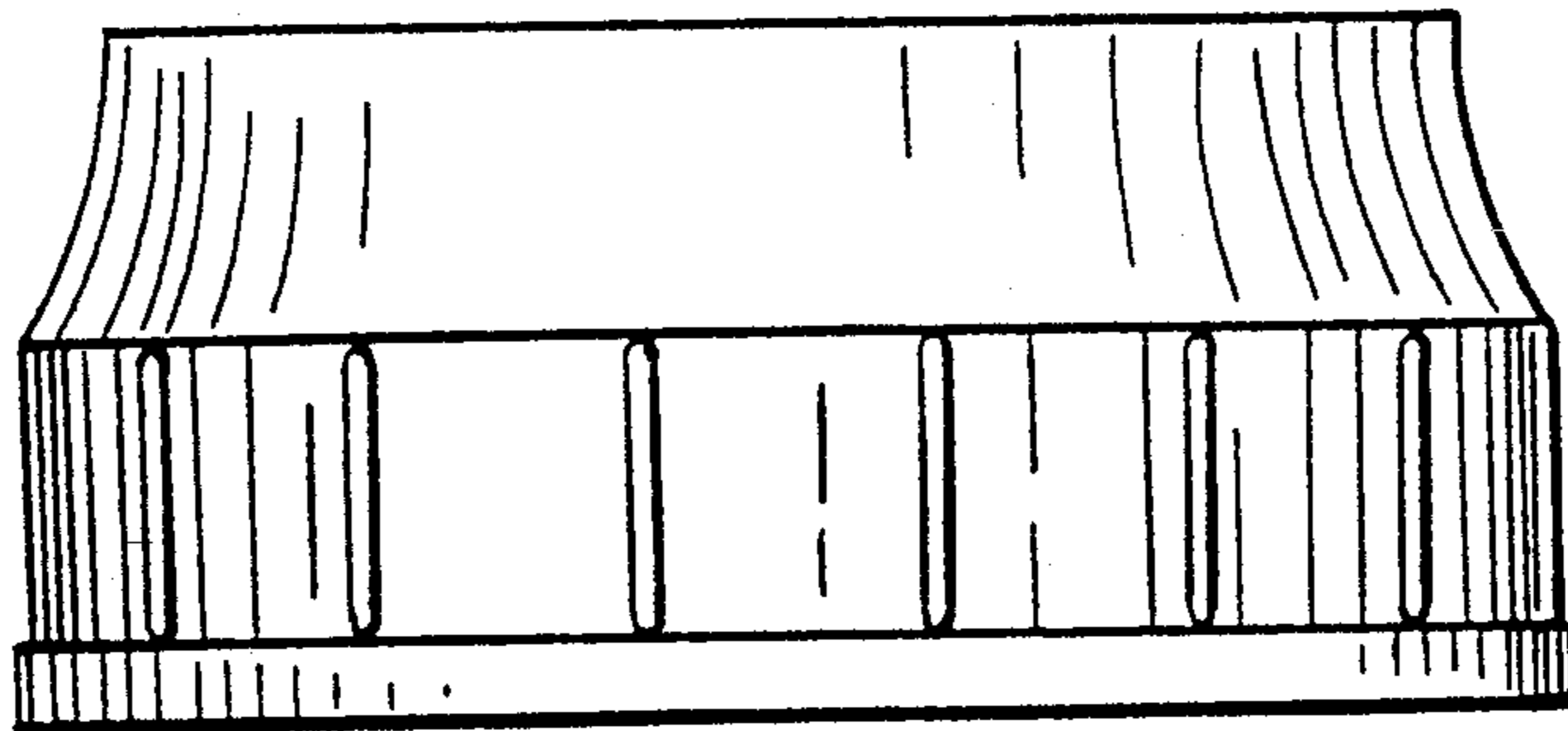
*Primary Examiner*—A. Hugo Word  
*Assistant Examiner*—Celia A. Murphy

### [57] CLAIM

The ornamental design for a disposable nurser hood, as shown and described.

### DESCRIPTION

FIG. 1 is a top plan view of a disposable nurser hood showing our new design;  
FIG. 2 is a side elevational view thereof, all sides being identical;  
FIG. 3 is a bottom plan view thereof; and,  
FIG. 4 is a sectional view taken on line 4—4 of FIG. 1.



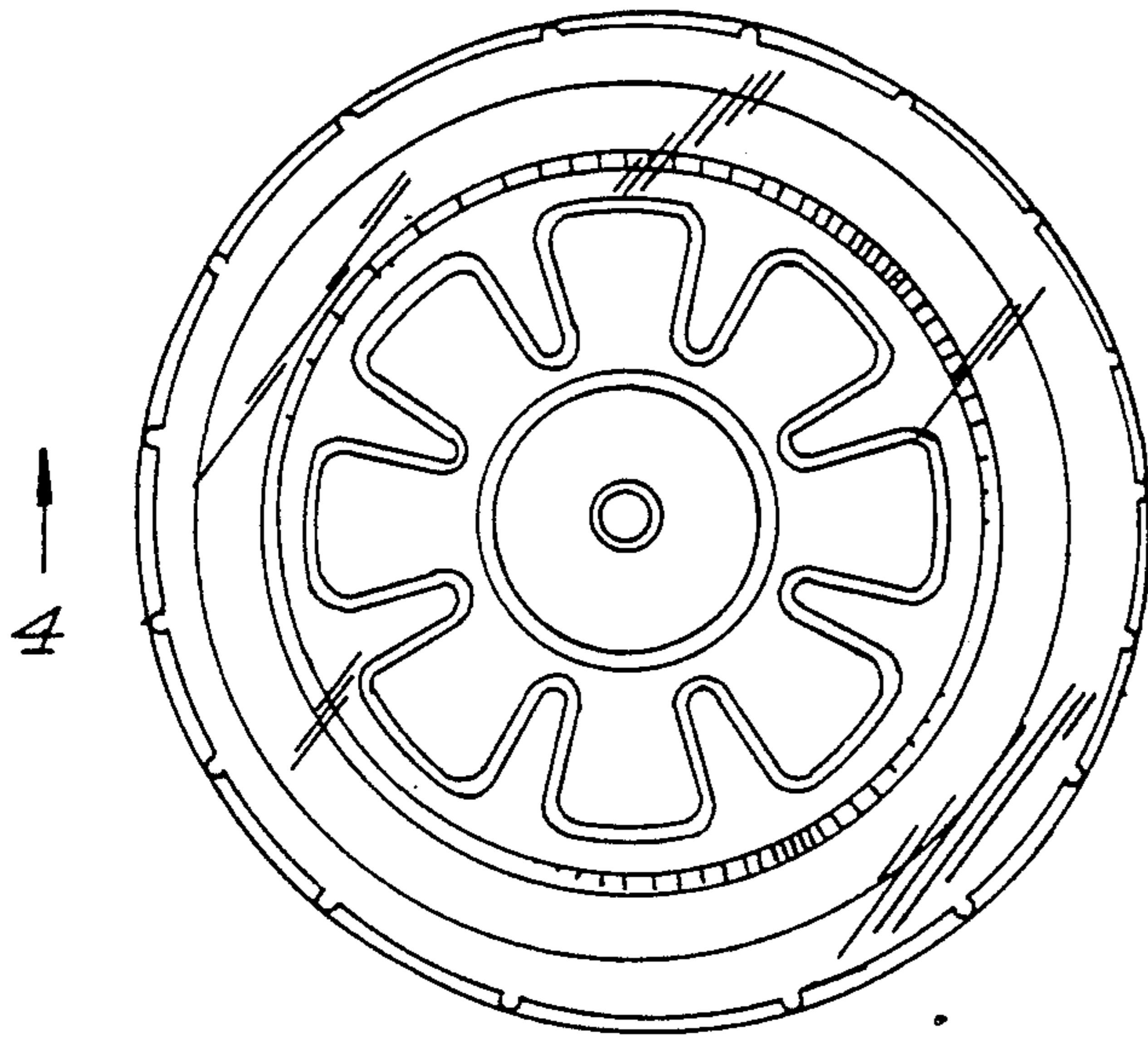


Fig. 1

↑  
4

↑  
4

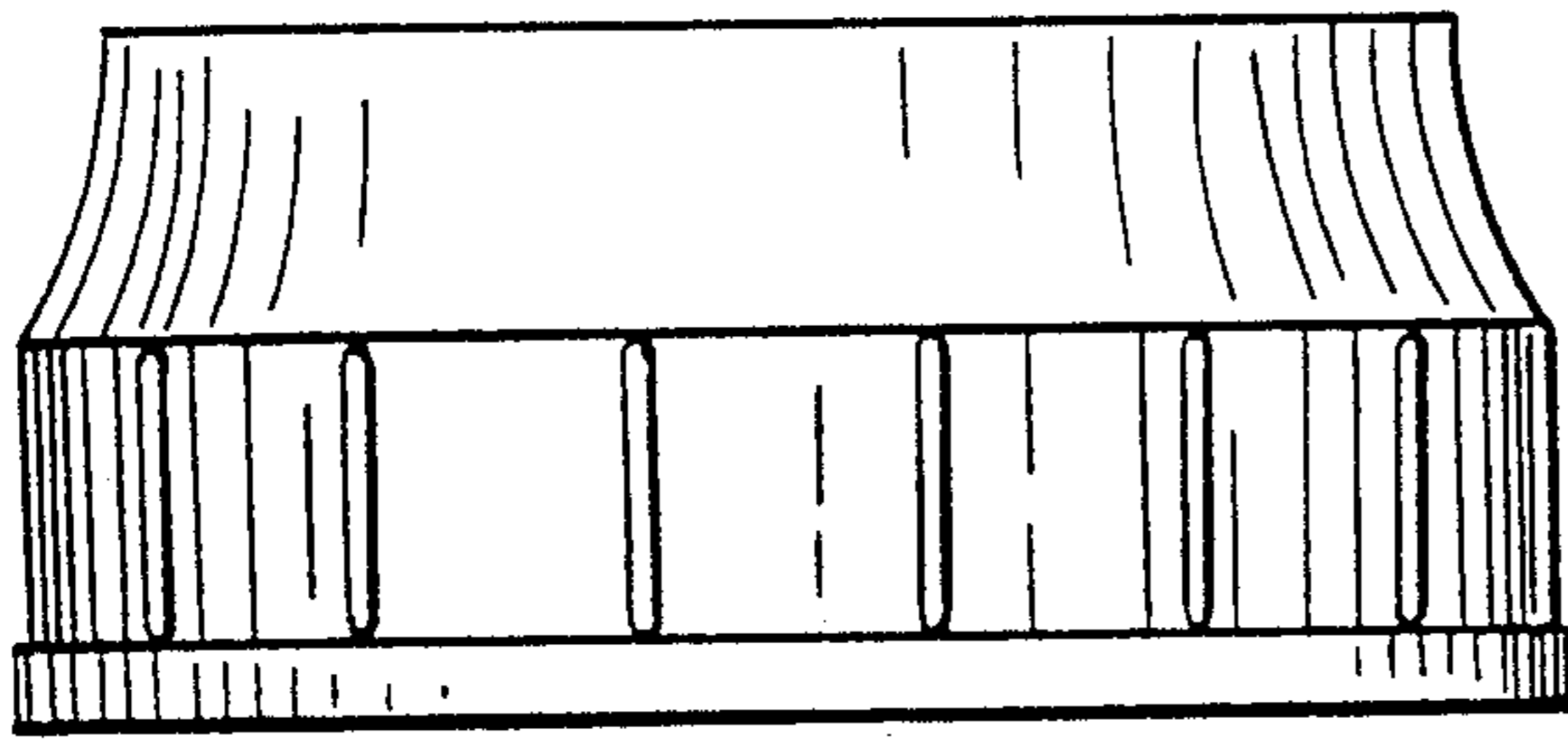


Fig. 2

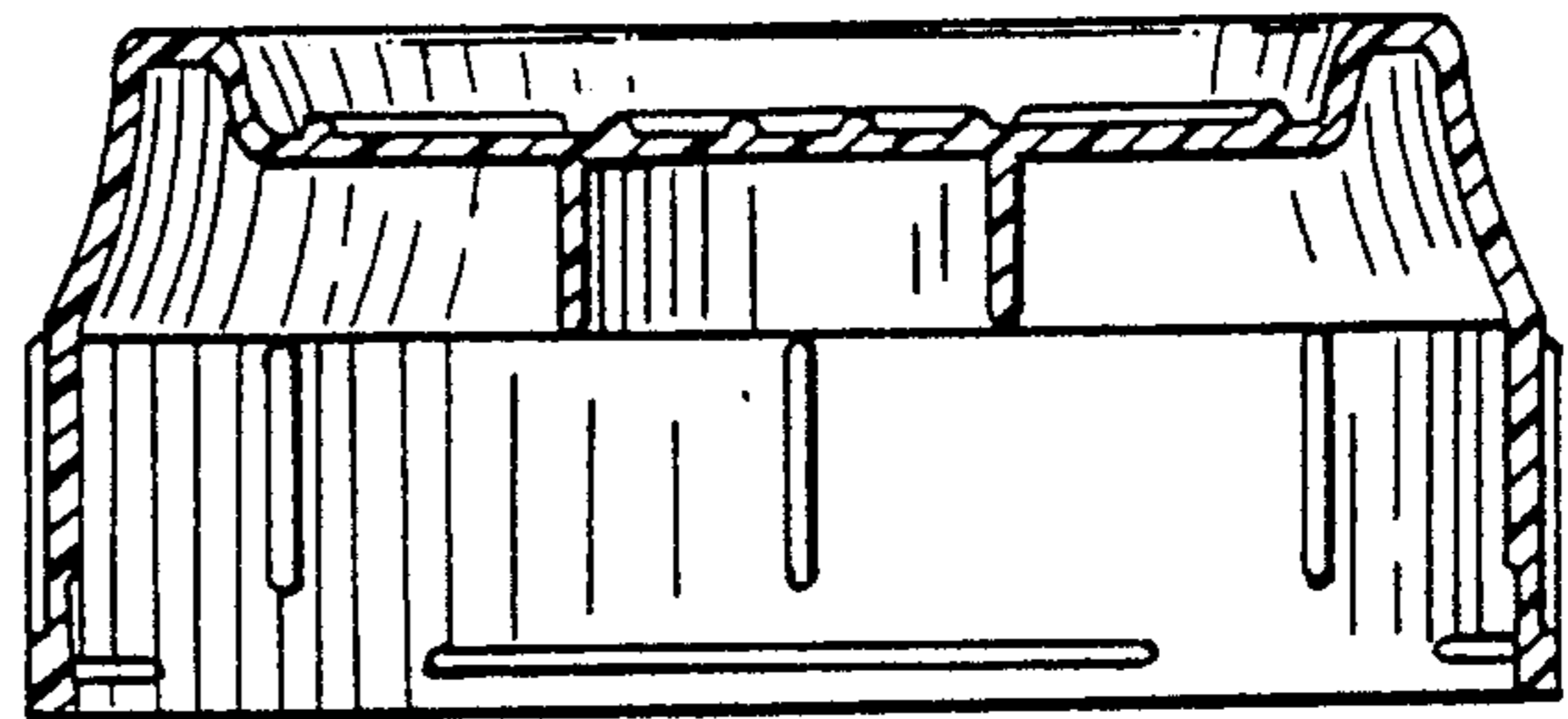


Fig. 4

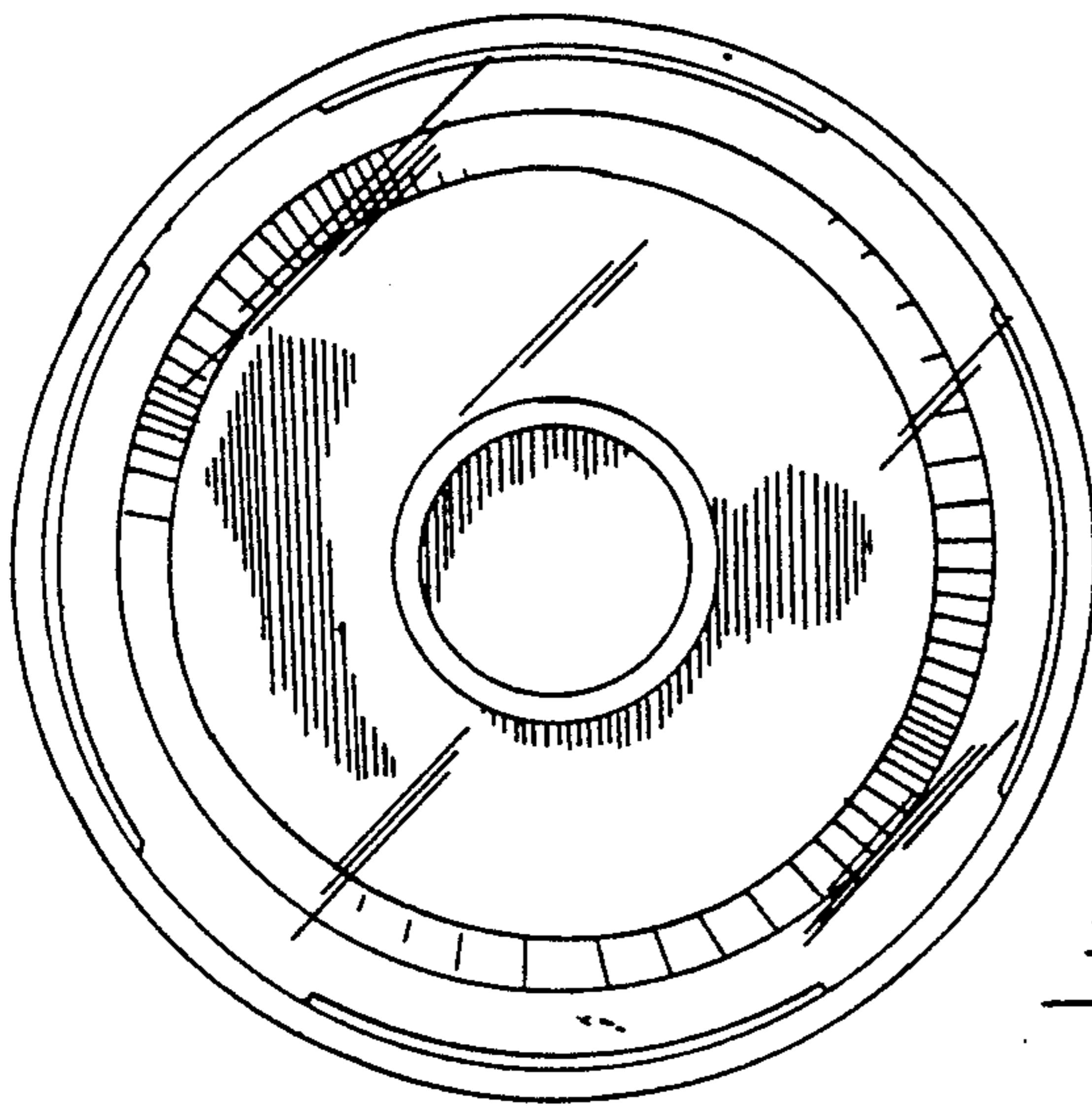


Fig. 3