



US00D325969S

United States Patent [19]

[11] Patent Number: **Des. 325,969**

Davy

[45] Date of Patent: **** May 5, 1992**

[54] ANAL PROTECTIVE LINER

4,484,919 11/1984 Sohn et al. 604/358

[75] Inventor: **Zina V. Davy**, Lansing, Mich.

4,880,417 11/1989 Yabrov et al. 604/355

[73] Assignee: **Zinco International, Inc.**, Detroit, Mich.

4,900,319 2/1990 Richwine D24/125 X

[**] Term: **14 Years**

Primary Examiner—Stella Reid
Attorney, Agent, or Firm—Charles E. Smith

[21] Appl. No.: **434,172**

[57] **CLAIM**

The ornamental design for an anal protective liner, as shown.

[22] Filed: **Nov. 13, 1989**

DESCRIPTION

[52] U.S. Cl. **D24/124**

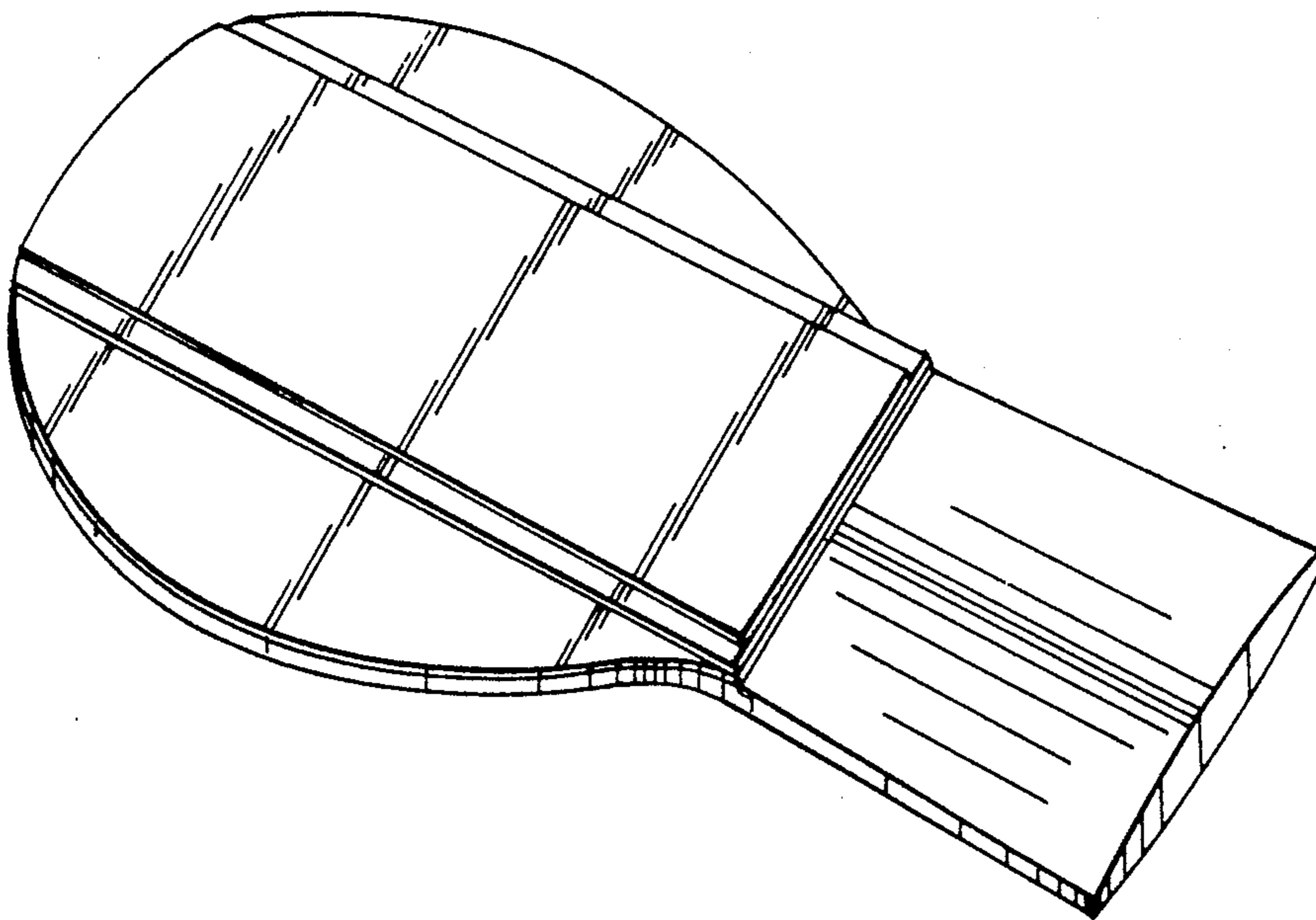
[58] Field of Search D24/124, 125; 604/358, 604/355, 359, 364, 377, 385.1; 128/155, 156

FIG. 1 is a bottom perspective view of an anal protective liner, showing my new design;
FIG. 2 is a bottom plan view thereof;
FIG. 3 is a left end elevational view thereof;
FIG. 4 is a right end elevational view thereof;
FIG. 5 is a side elevational view thereof; the opposite side elevational view being identical thereto; and,
FIG. 6 is a top plan view thereof.

[56] **Referencés Cited**

U.S. PATENT DOCUMENTS

4,182,335 1/1980 Matrullo 604/377 X
4,184,498 1/1980 Franco D24/125 X



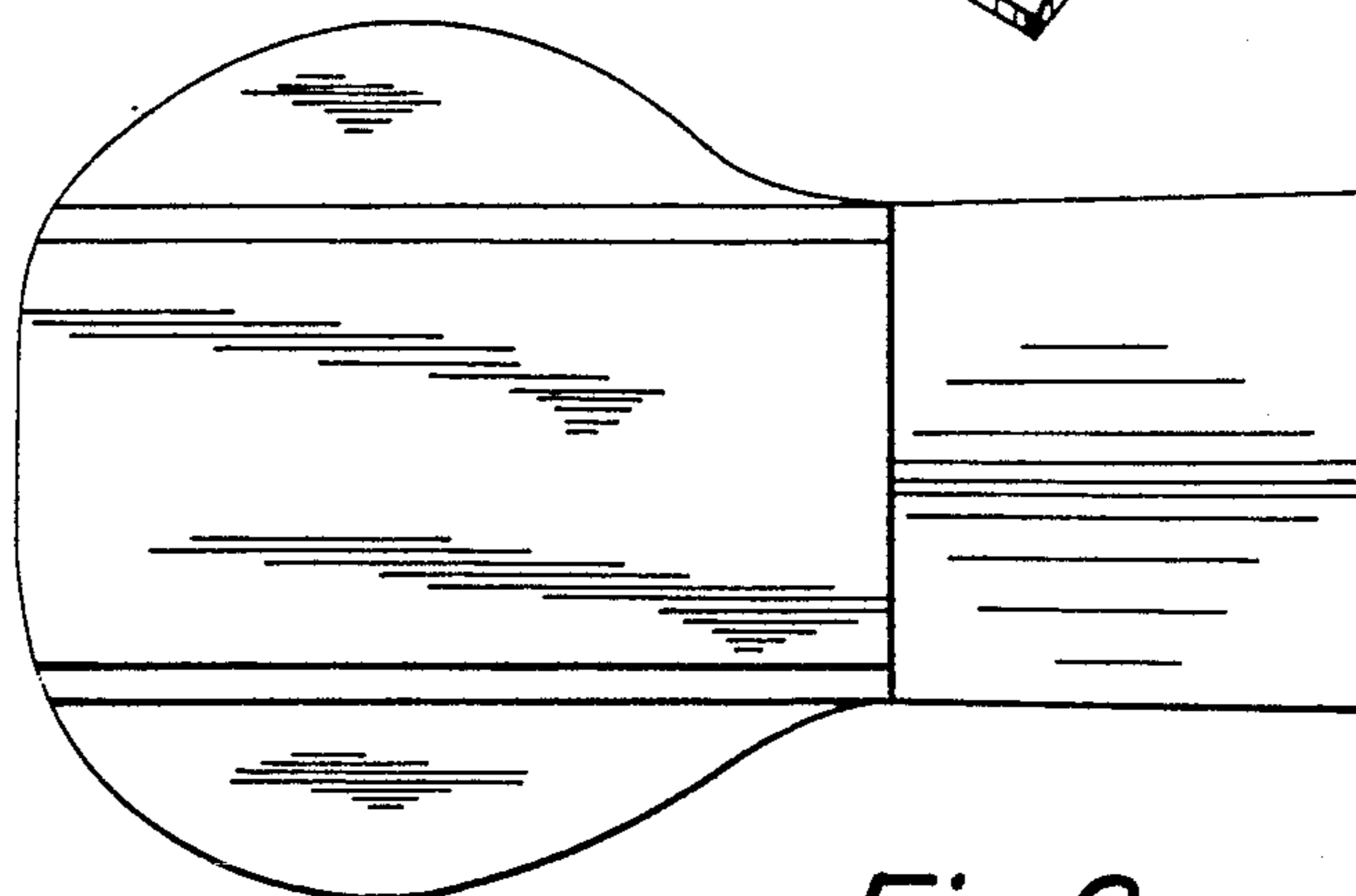
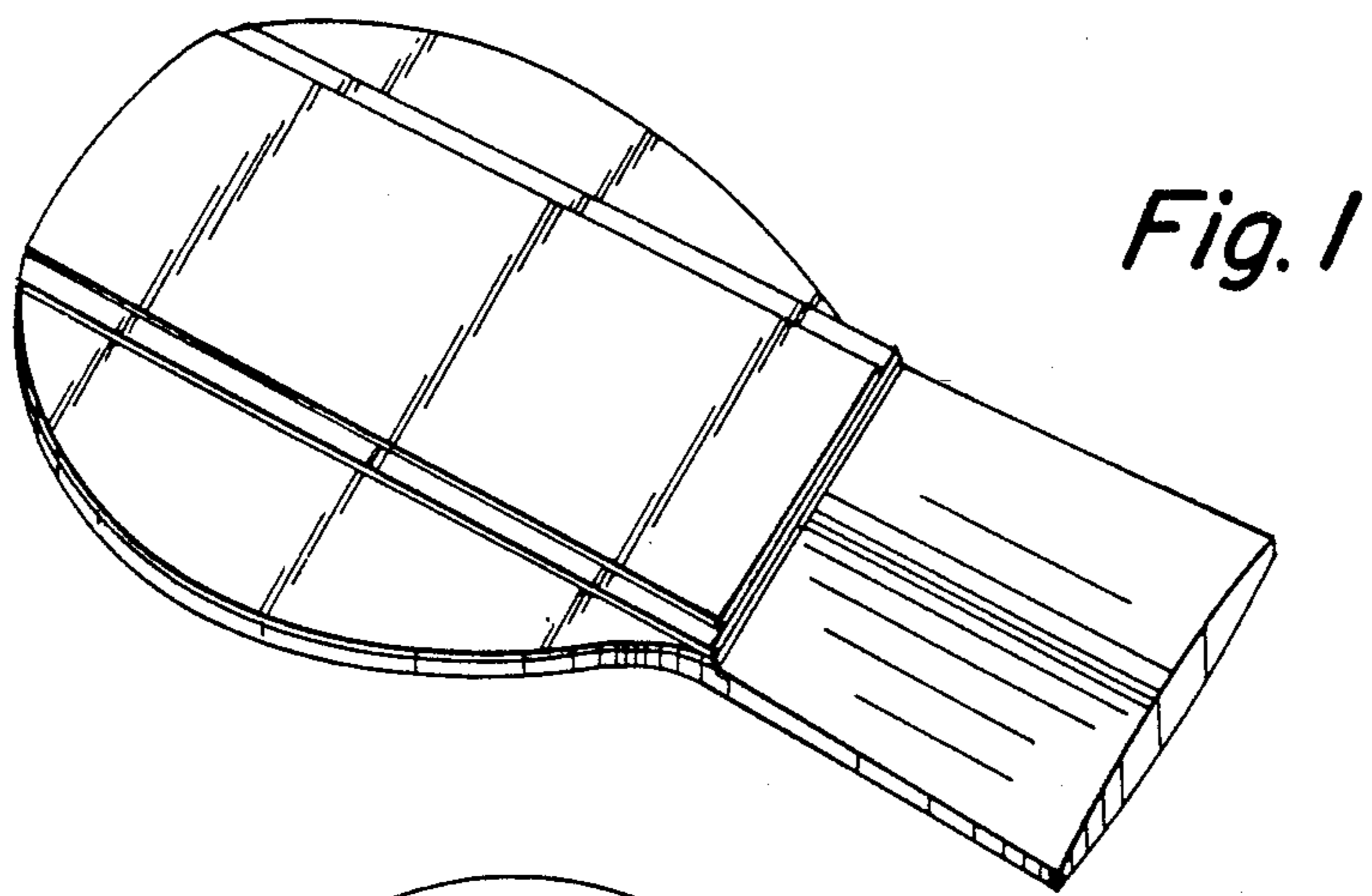


Fig. 3

Fig. 2

Fig. 4

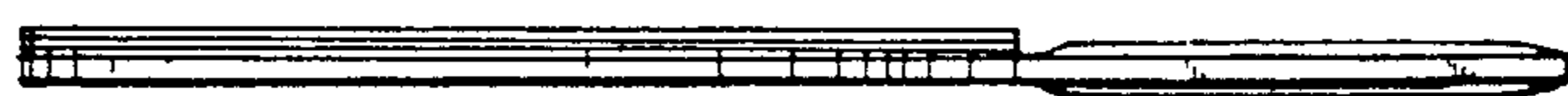


Fig. 5

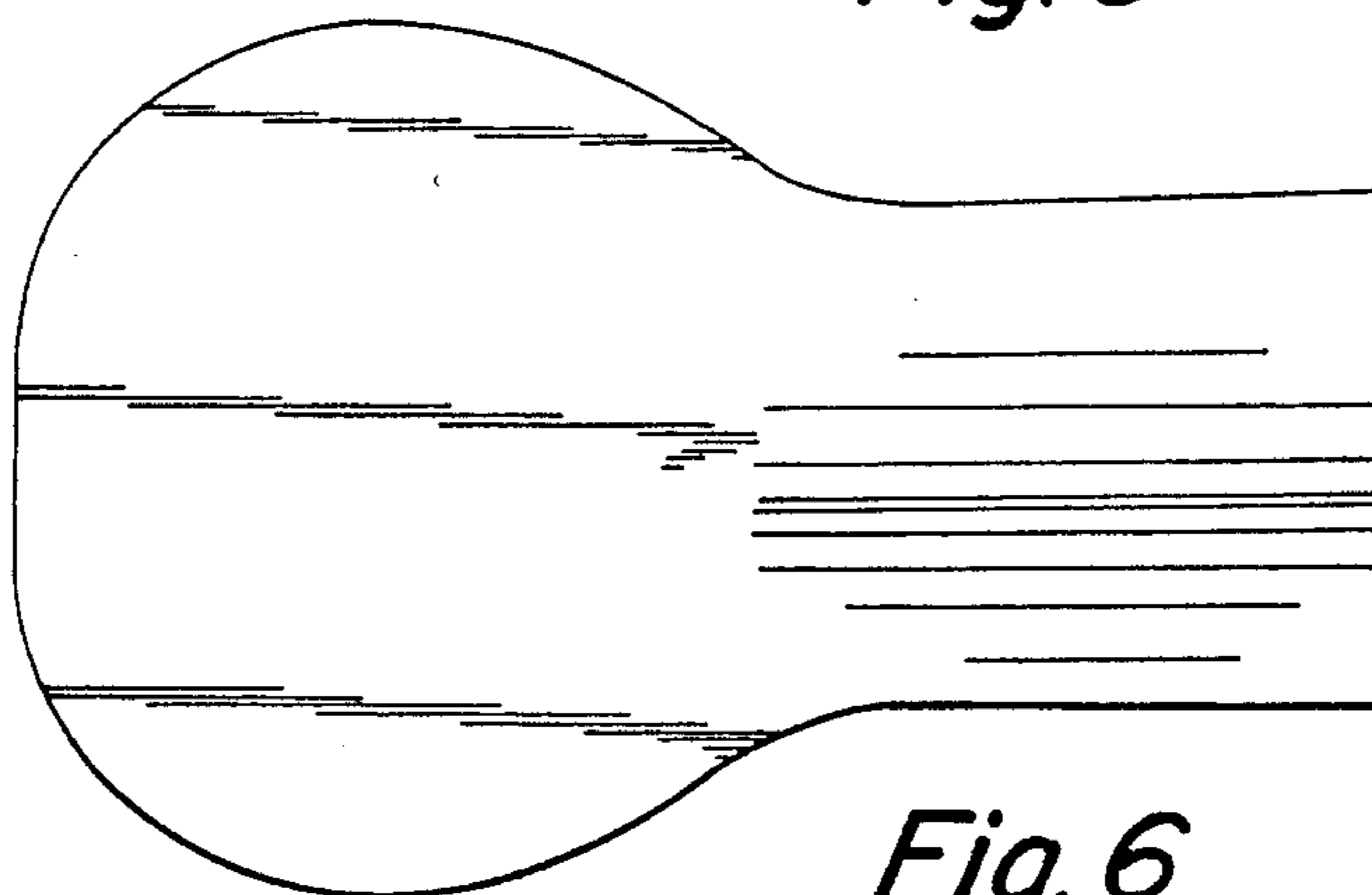


Fig. 6