



US00D325968S

United States Patent [19] Nofsinger

[11] Patent Number: Des. 325,968

[45] Date of Patent: ** May 5, 1992

[54] REHABILITATION BLOCK

[76] Inventor: Thomas Nofsinger, 4503 Chapman,
The Colony, Tex. 75056

[**] Term: 14 Years

[21] Appl. No.: 450,383

[22] Filed: Dec. 14, 1989

[52] U.S. Cl. D21/191; D24/192;
D24/213

[58] Field of Search D24/64, 99; 272/96,
272/116, 125, 143, 137; 128/25 R

[56] References Cited

U.S. PATENT DOCUMENTS

1,801,769	4/1931	Gartner	272/96
2,374,730	5/1945	Gattlin	272/96 X
3,088,458	5/1963	Stewart	D24/36 X

3,372,930	3/1968	Sertich	272/96 X
4,869,499	9/1989	Schiraldo	272/96 X

Primary Examiner—Stella Reid
Attorney, Agent, or Firm—Allen A. Meyer, Jr.

[57] CLAIM

The ornamental design for a rehabilitation block, as shown and described.

DESCRIPTION

FIG. 1 is a perspective view of rehabilitation block, showing my new design, the broken line showing is for illustrative purposes only and forms no part of the claimed design;

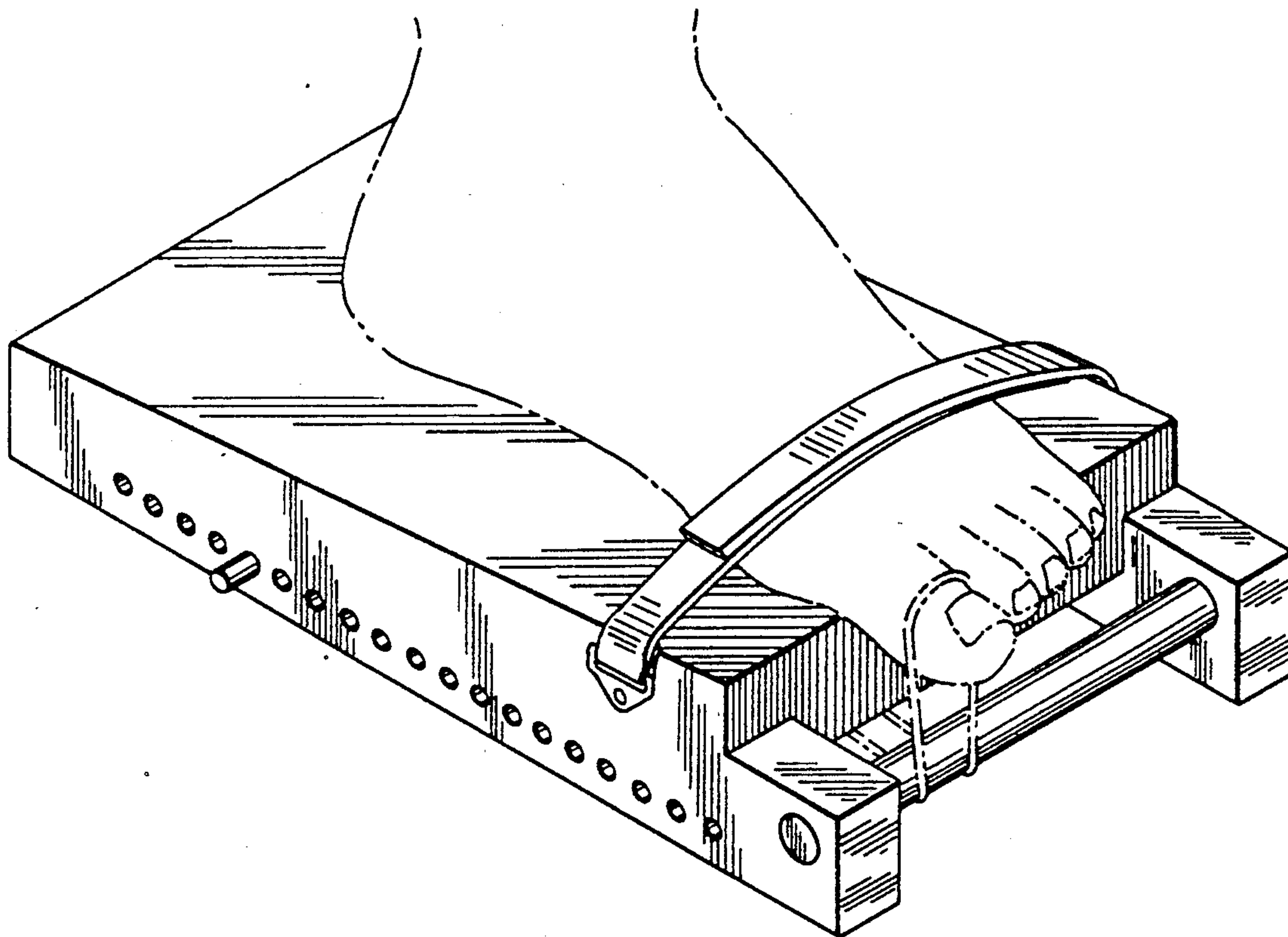
FIG. 2 is a front elevational view thereof;

FIG. 3 is a left side elevational view thereof;

FIG. 4 is a rear elevational view thereof;

FIG. 5 is a top plan view thereof; and,

FIG. 6 is a bottom plan view thereof.



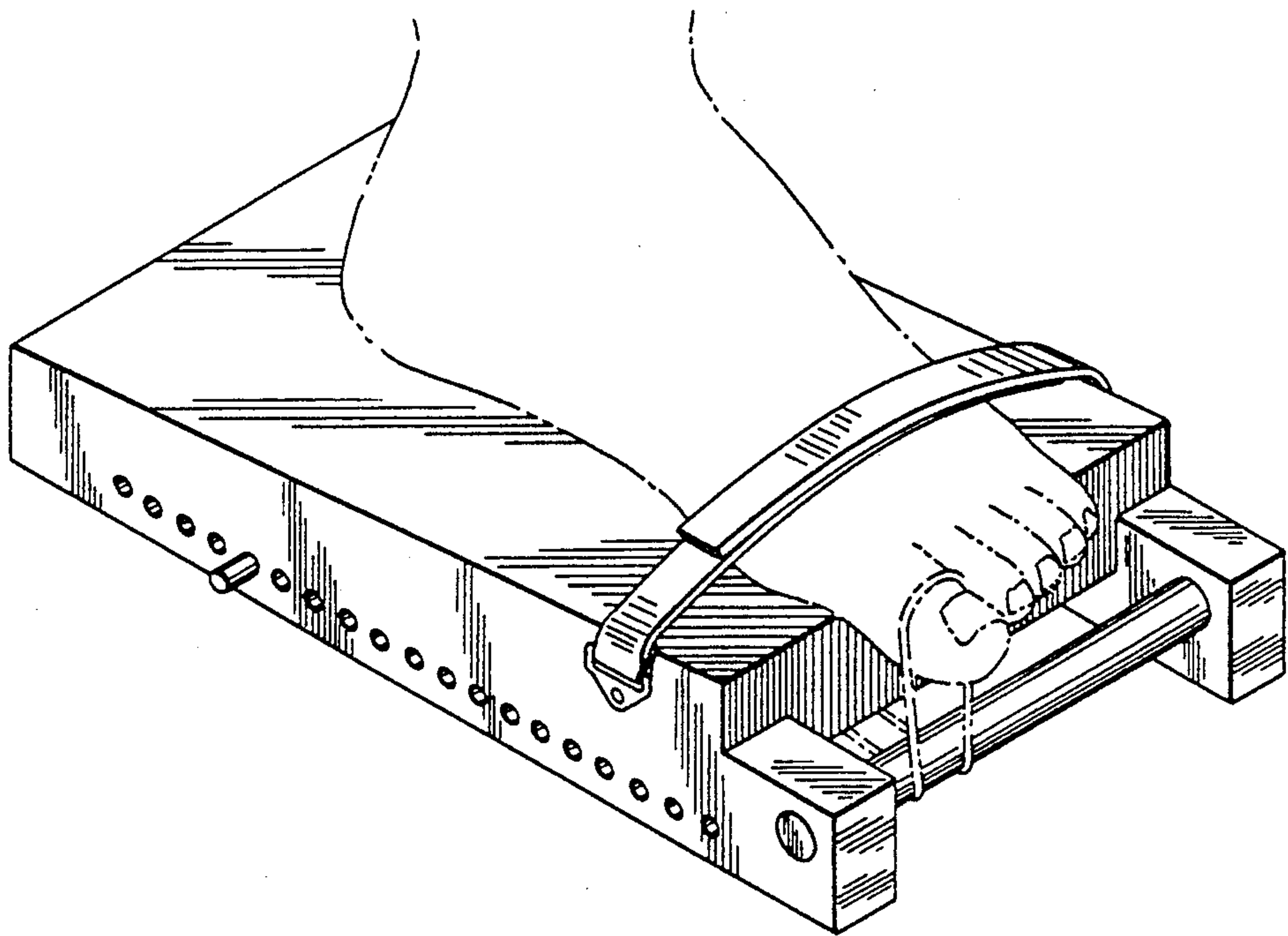


FIG. 1

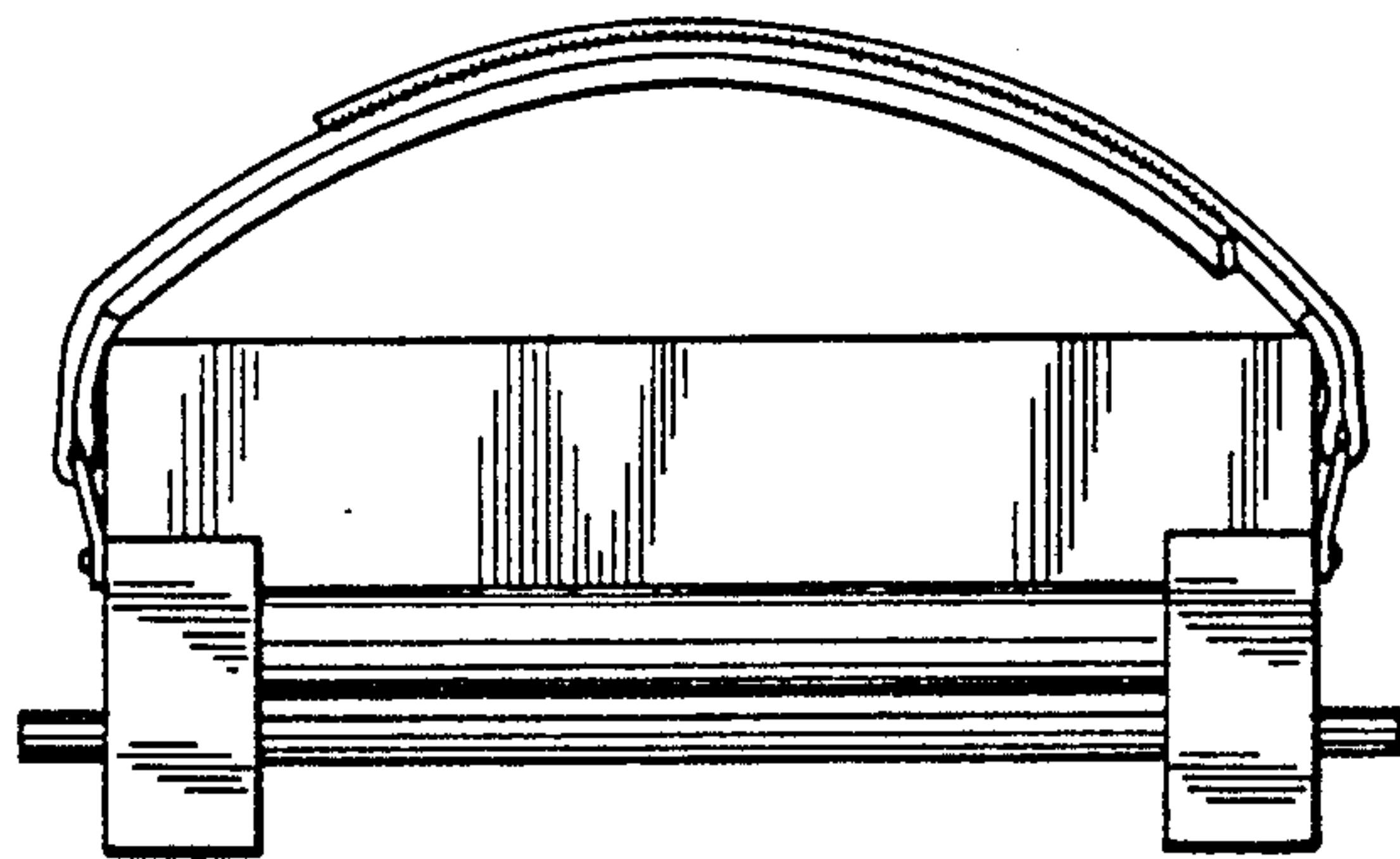


FIG. 2

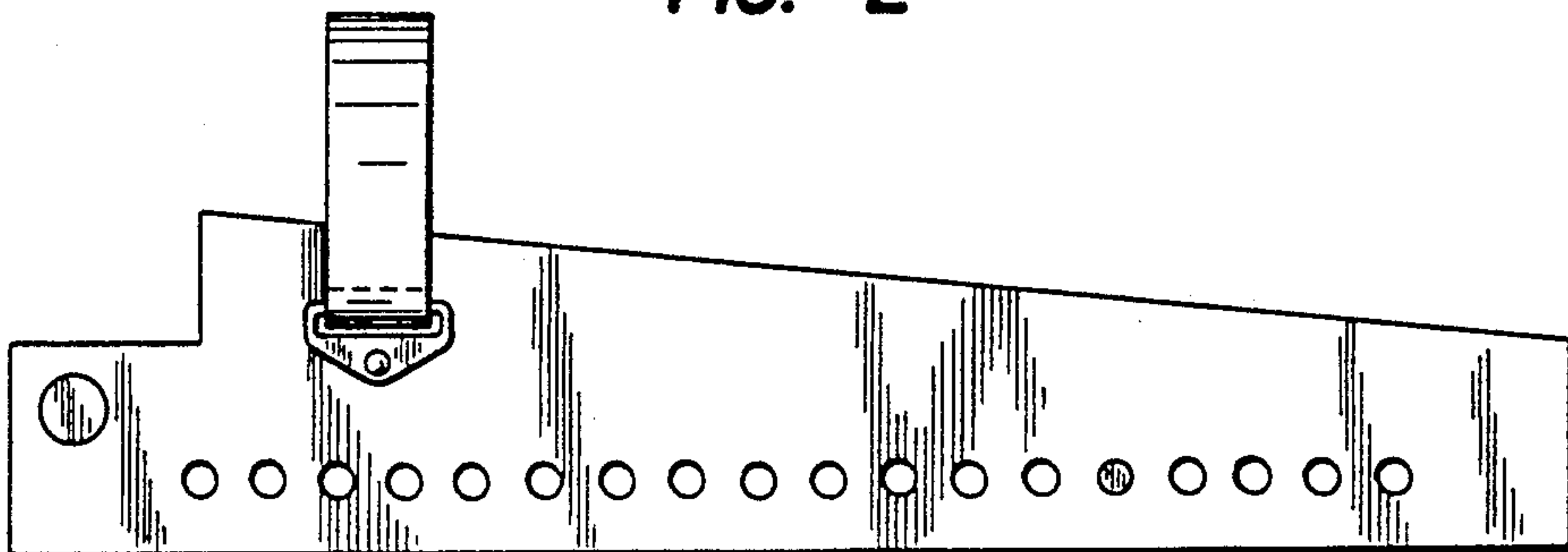


FIG. 3

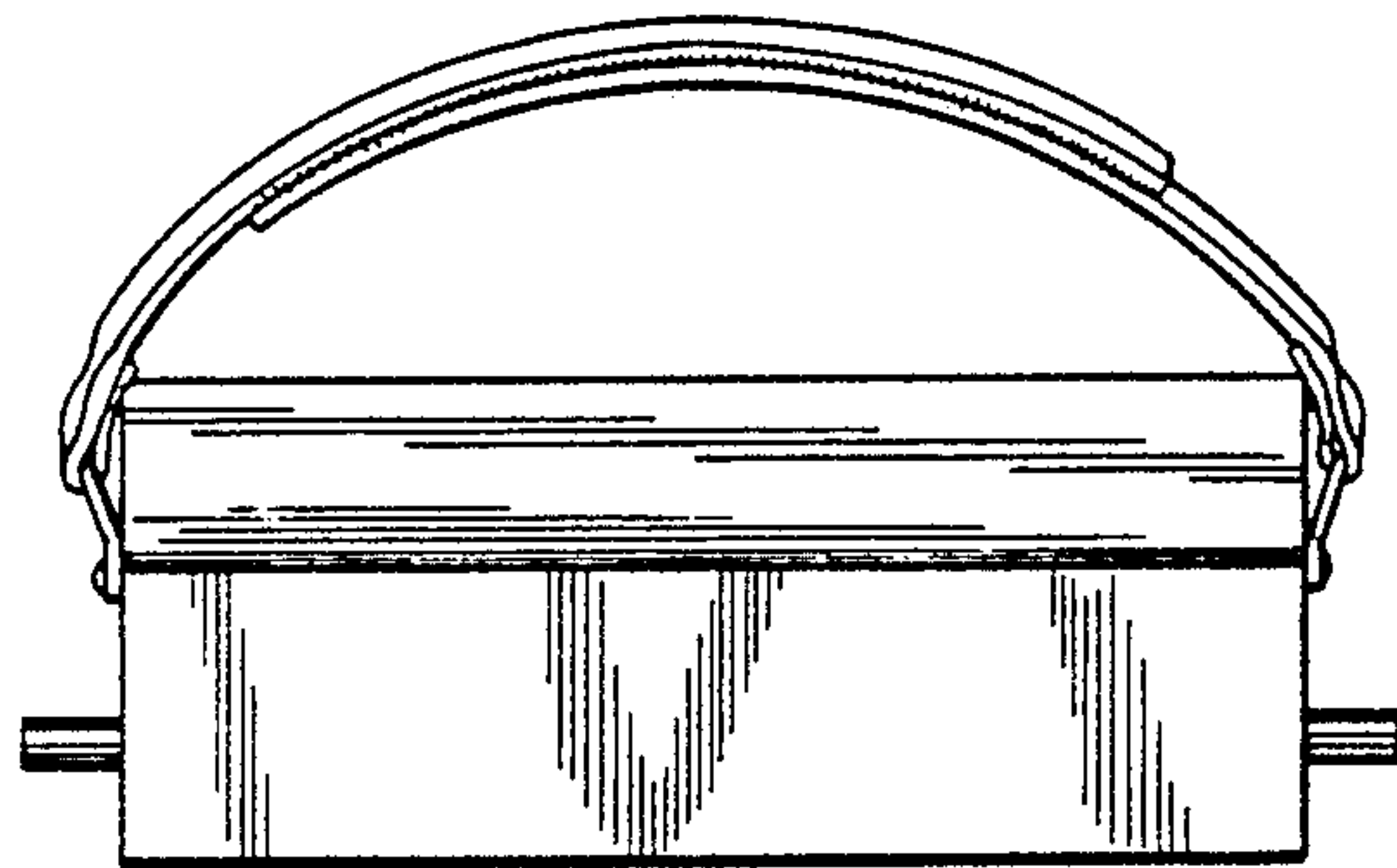


FIG. 4

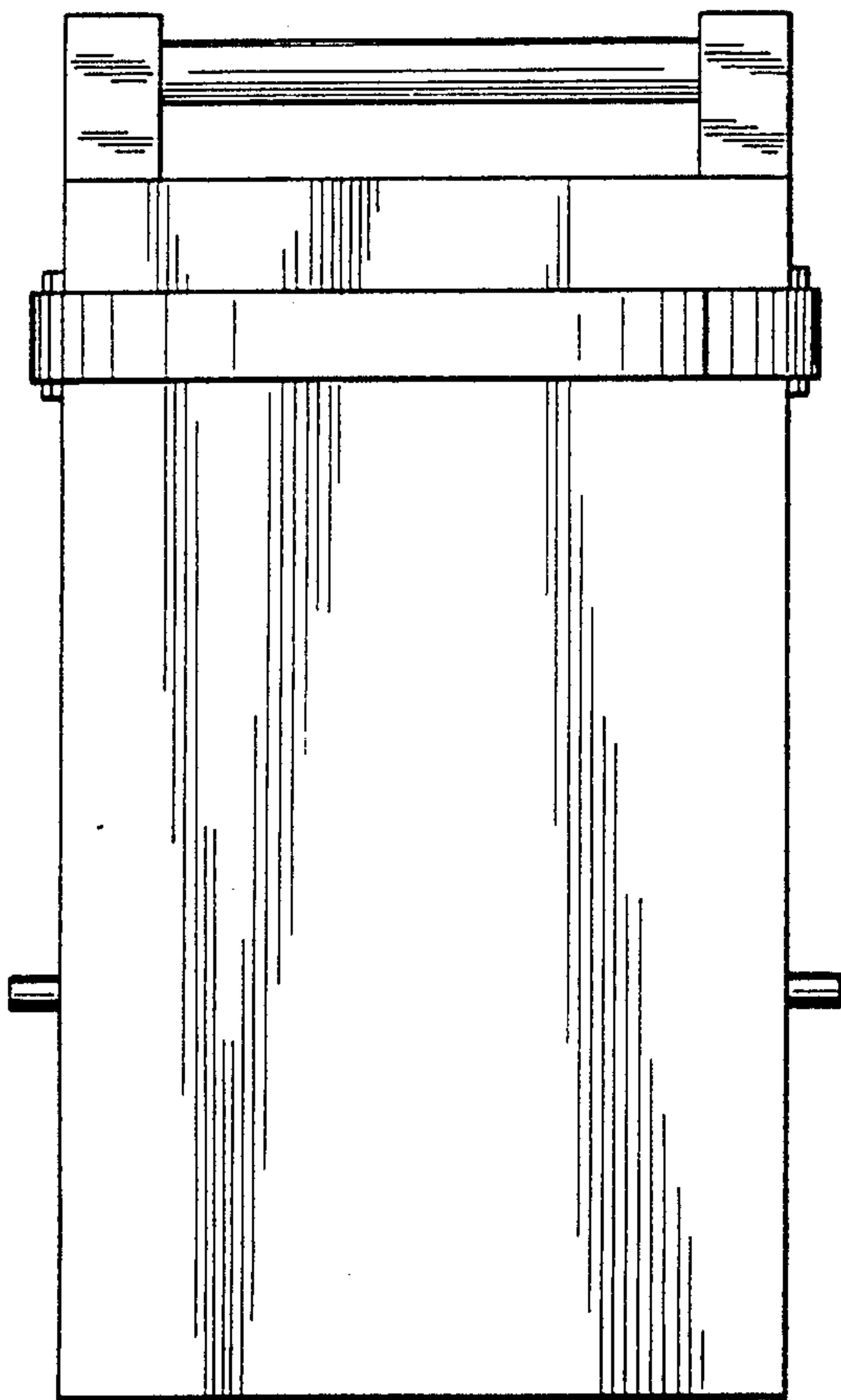


FIG. 5

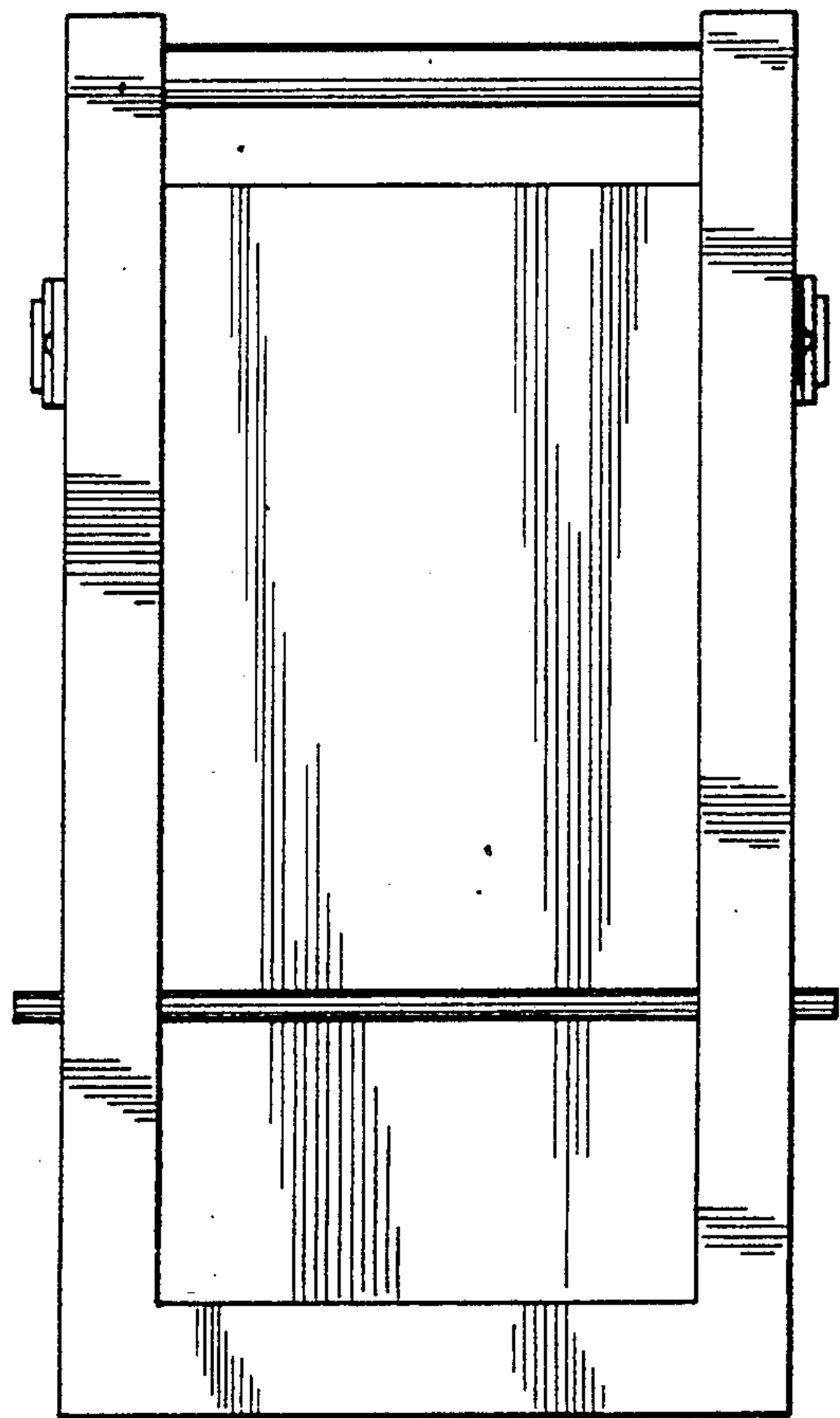


FIG. 6