



US00D325961S

United States Patent [19]

Hayes

[11] Patent Number: Des. 325,961

[45] Date of Patent: ** May 5, 1992

- [54] HOSE QUICK CONNECTOR HOUSING
- [75] Inventor: Ronald G. Hayes, Milford, Ohio
- [73] Assignee: L. R. Nelson Corporation, Peoria, Ill.
- [**] Term: 14 Years
- [21] Appl. No.: 423,859
- [22] Filed: Oct. 19, 1989
- [52] U.S. Cl. D23/262
- [58] Field of Search D23/259-269;
285/33-35, 256, 258, 262, 315, 353-354,
386-387

4,784,412 11/1988 Van Dongen 285/387

Primary Examiner—Brian N. Vinson
Attorney, Agent, or Firm—Cushman, Darby & Cushman

[57] CLAIM

The ornamental design for a hose quick connector housing, as shown and described.

DESCRIPTION

FIG. 1 is a top, front, and left side perspective view of a hose quick connector housing showing my new design;
 FIG. 2 is a bottom plan view thereof;
 FIG. 3 is a front elevational view thereof;
 FIG. 4 is a rear elevational view thereof; and,
 FIG. 5 is a rear elevational view thereof, with the valve element shown rotated to a closed position.
 The broken-line disclosure of internal features is for illustrative purposes only and forms no part of the claimed design.

[56] **References Cited**
U.S. PATENT DOCUMENTS

- D. 208,139 7/1967 Adams D23/262 X
- D. 299,267 1/1989 Roman D23/262
- D. 314,814 2/1991 Lubeck D23/262

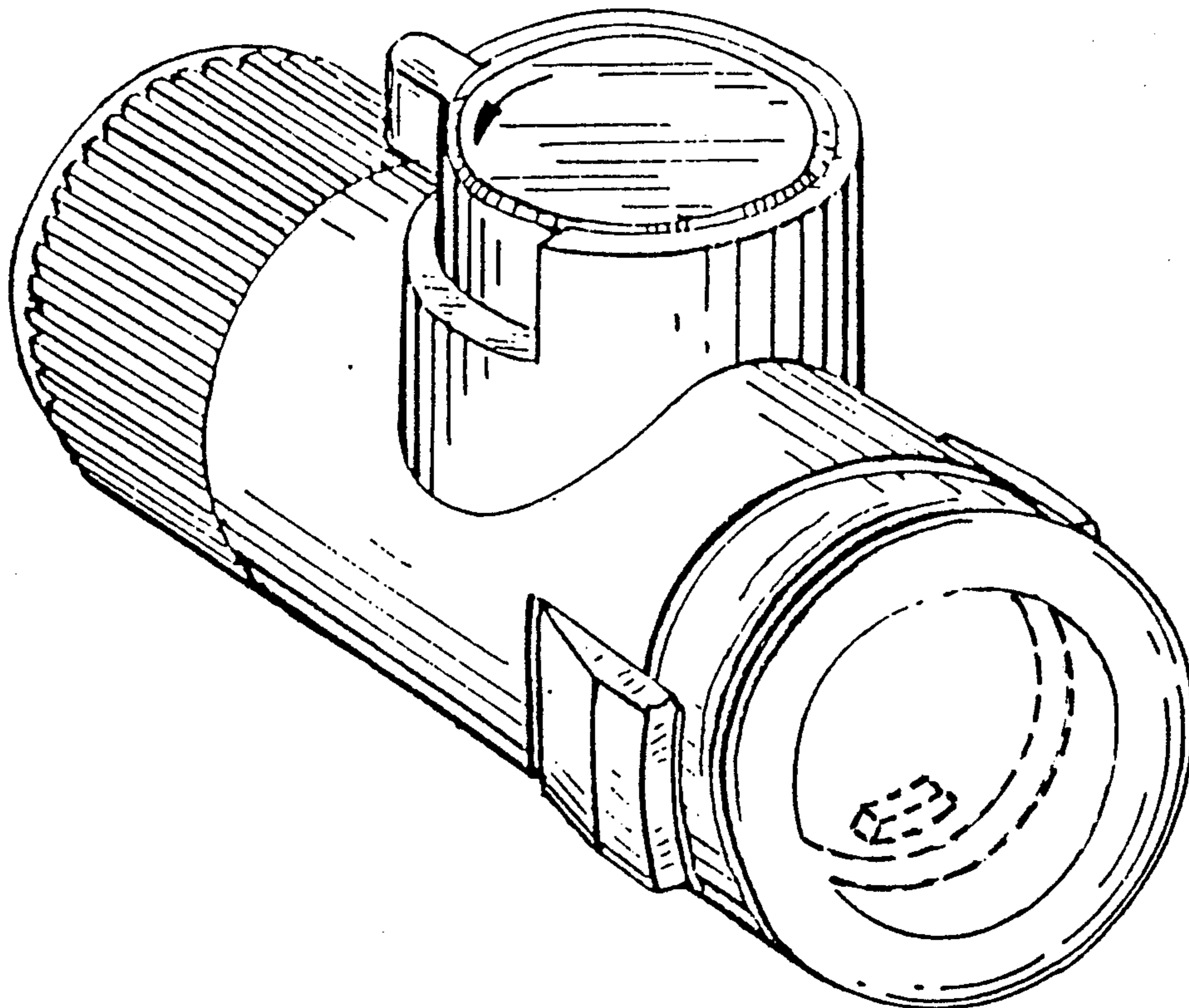


Fig. 1.

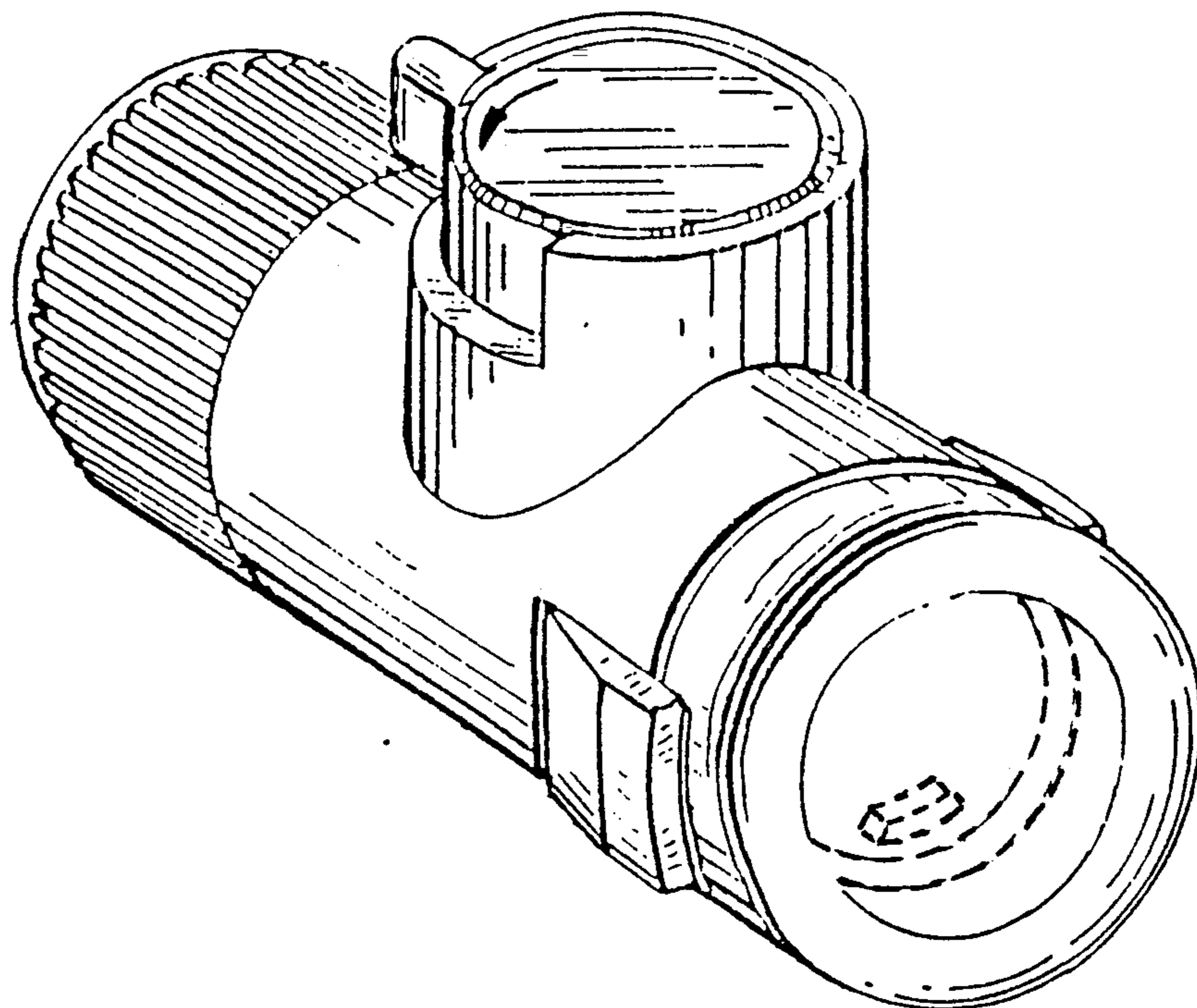


Fig. 2.

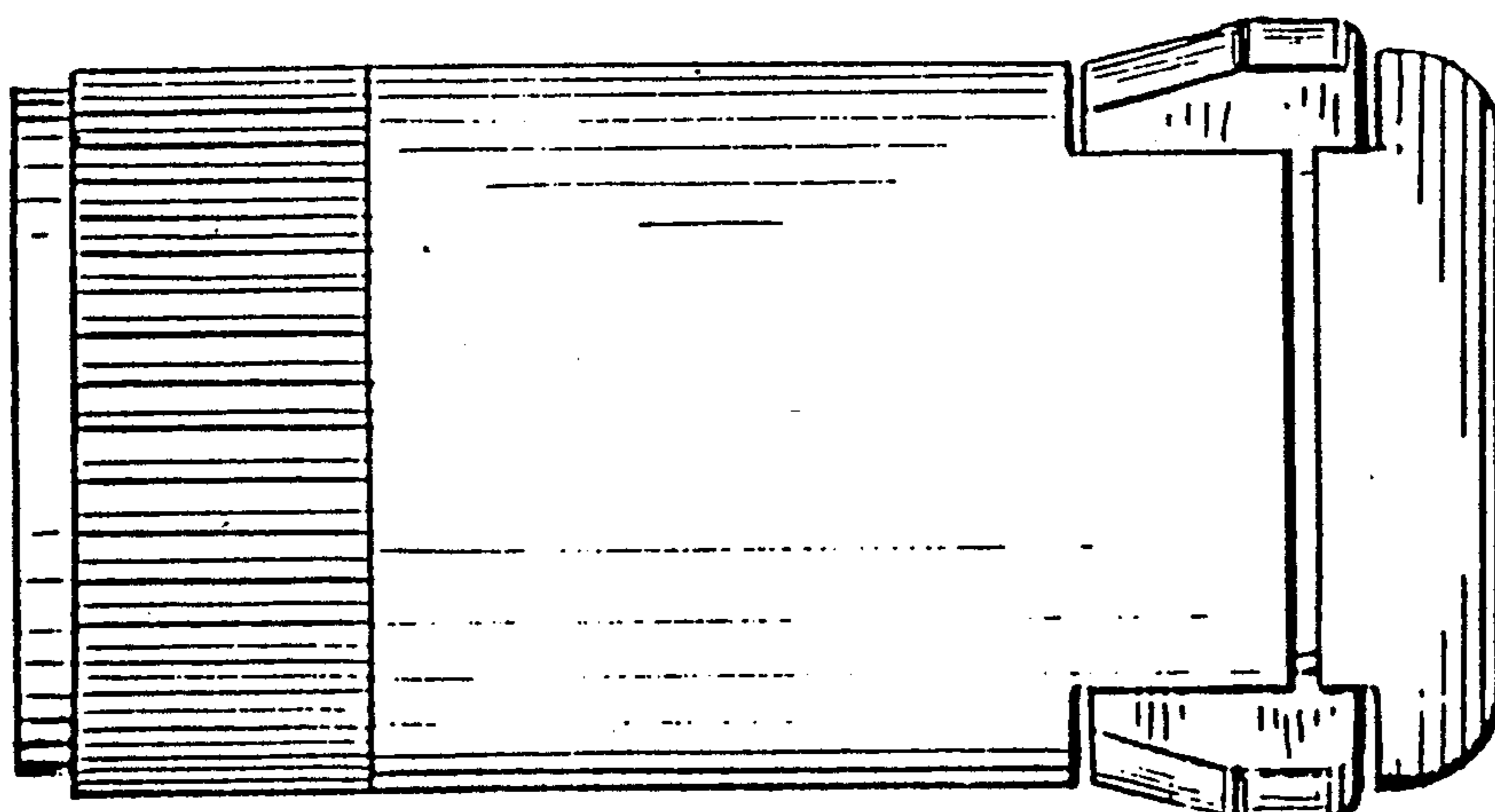


Fig. 3.

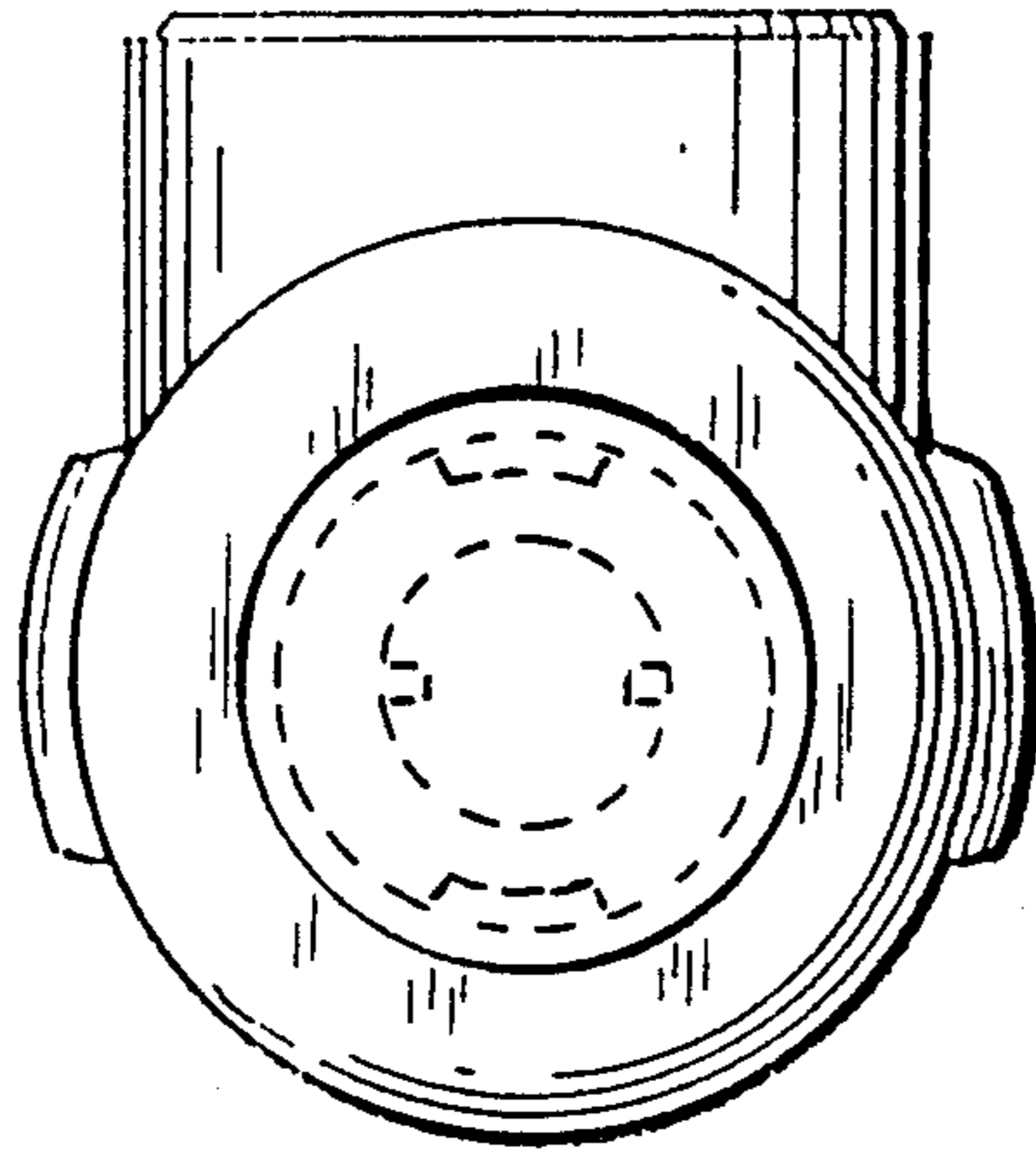


Fig. 4.

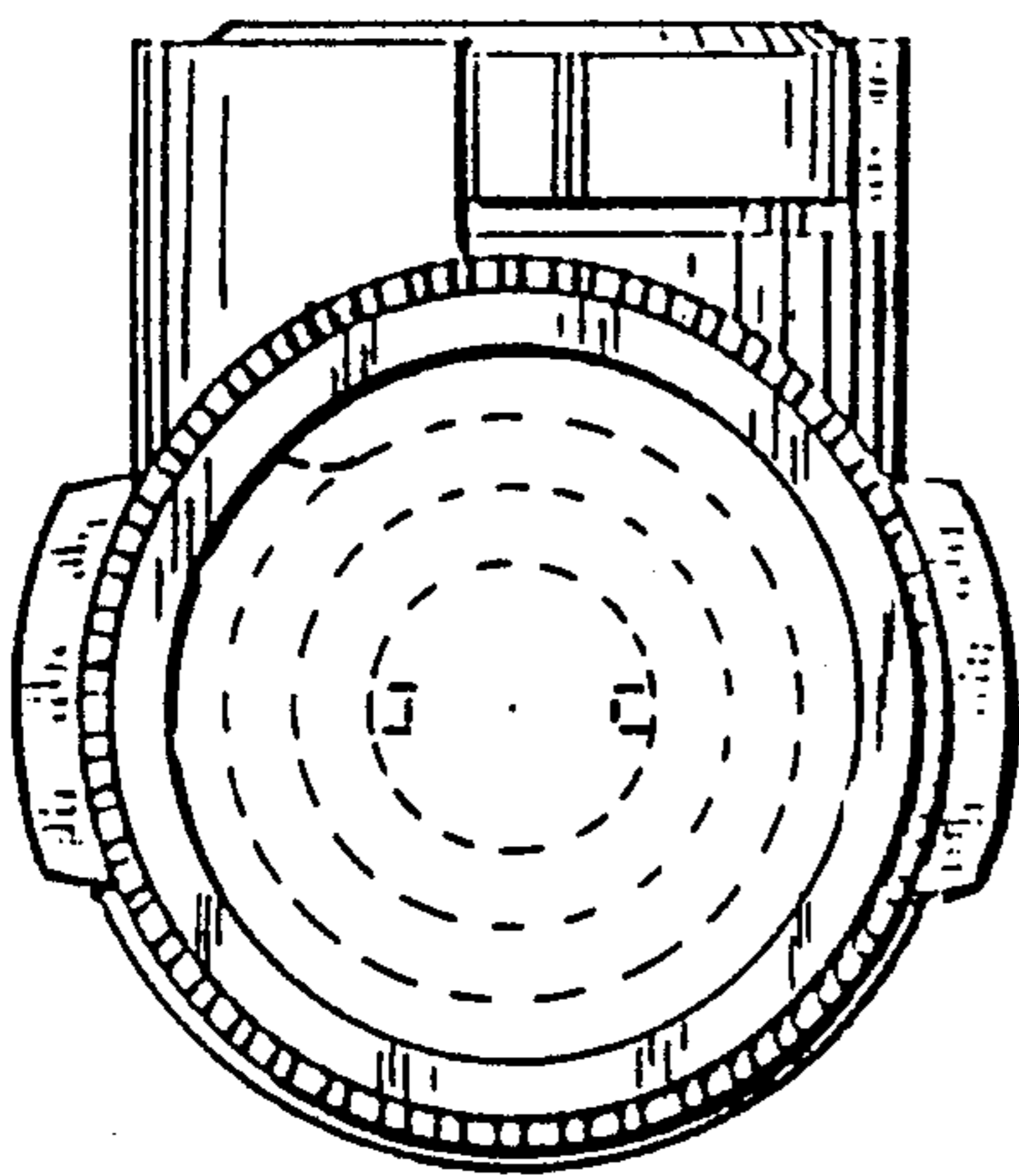


Fig. 5.

