



US00D325958S

United States Patent [19]

[11] Patent Number: Des. 325,958

Stairs, Jr. et al.

[45] Date of Patent: ** May 5, 1992

[54] HANDLE FOR A FAUCET OR THE LIKE

DESCRIPTION

[75] Inventors: Henry M. Stairs, Jr., Neshanic;
Donna Spano, Bridgewater, both of N.J.

[73] Assignee: American Standard Inc., New York, N.Y.

[**] Term: 14 Years

[21] Appl. No.: 236,977

[22] Filed: Aug. 26, 1988

[52] U.S. Cl. D23/250; D23/254

[58] Field of Search D23/238-243,
D23/250-255; 4/191, 192; 137/801; D8/300,
307-312

[56] References Cited

U.S. PATENT DOCUMENTS

D. 75,863	7/1928	Nicholas	D23/250
D. 76,995	11/1928	Fraser	D23/254
D. 276,544	11/1984	Piesca	D23/254
D. 288,836	3/1987	Yost	D23/241

OTHER PUBLICATIONS

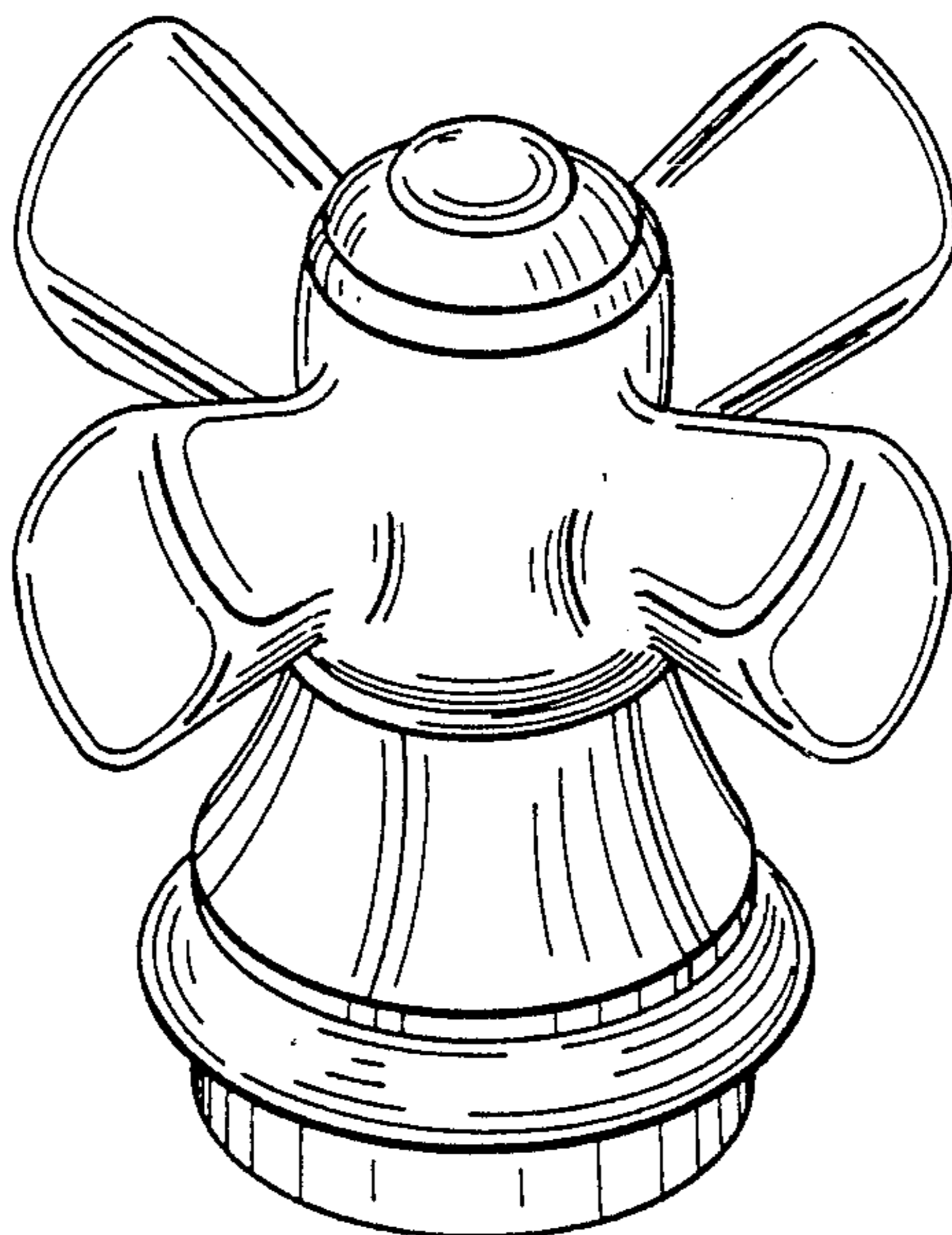
Domestic Engineering, Jul. 1988, p. 31.
Architectural Record, May 1936, p. 53, Metaline Design 1-L.
Domestic Engineering, Aug. 1986, p. 16, faucet at bottom of page.

Primary Examiner—James R. Largen
Attorney, Agent, or Firm—John P. Sinnott

[57] CLAIM

The ornamental design for a handle for a faucet or the like, as shown and described.

FIG. 1 is an isometric view of a handle for a faucet or the like showing our new design;
FIG. 2 is a side elevational view thereof;
FIG. 3 is another side elevational view thereof showing the handle unit, rotated forty-five degrees from that shown in FIG. 2;
FIG. 4 is a top plan view thereof;
FIG. 5 is a bottom plan view thereof;
FIG. 6 is an isometric view of handle and cap unit thereof;
FIG. 7 is a side elevational view of FIG. 6;
FIG. 8 is another side elevational view of FIG. 6 showing the handle unit rotated forty-five degrees from that shown in FIG. 7;
FIG. 9 is a top plan view of FIG. 6;
FIG. 10 is a bottom plan view of FIG. 6;
FIG. 11 is an isometric view of the escutcheon thereof;
FIG. 12 is a side elevational view of FIG. 11, all sides being the same as the side shown;
FIG. 13 is a top plan view of FIG. 11;
FIG. 14 is a bottom plan view of FIG. 11;
FIG. 15 is an exploded isometric view of FIG. 1;
FIG. 16 is an isometric view of the cap portion thereof;
FIG. 17 is a top plan view of FIG. 16;
FIG. 18 is a bottom plan view of FIG. 16;
FIG. 19 is a side elevational view of FIG. 16, the other side being the same as the side shown;
FIG. 20 is an isometric view of a second embodiment thereof;
FIG. 21 is a side elevational view of FIG. 20;
FIG. 22 is another side elevational view of FIG. 20 showing the handle unit rotated forty-five degrees from that shown in FIG. 21;
FIG. 23 is a top plan view of FIG. 20;
FIG. 24 is a bottom plan view of FIG. 20;
FIG. 25 is an isometric view of the wall escutcheon shown in FIG. 20;
FIG. 26 is a side elevational view of FIG. 25; and,
FIG. 27 is a bottom isometric of FIG. 25.



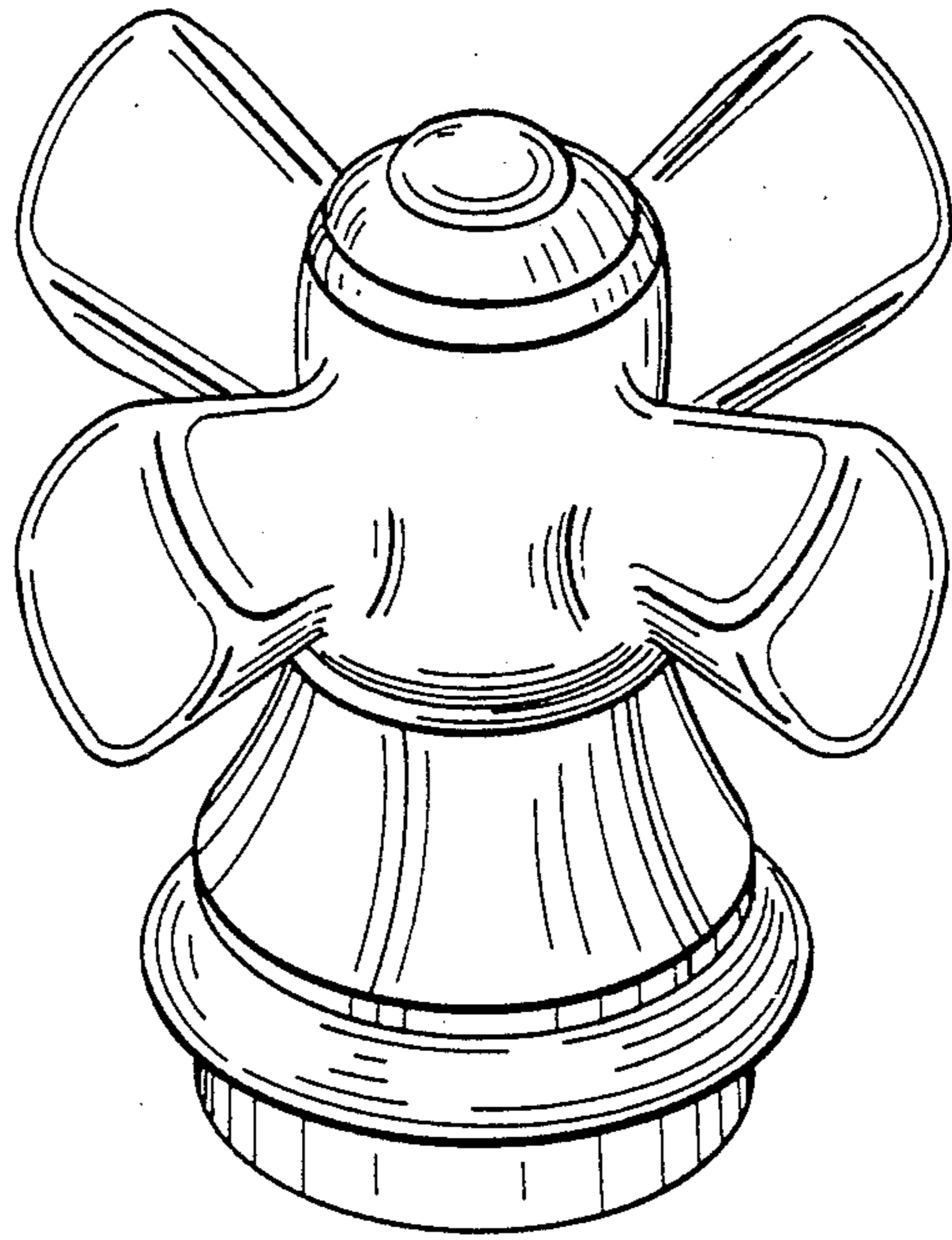


FIG. 1

FIG. 4

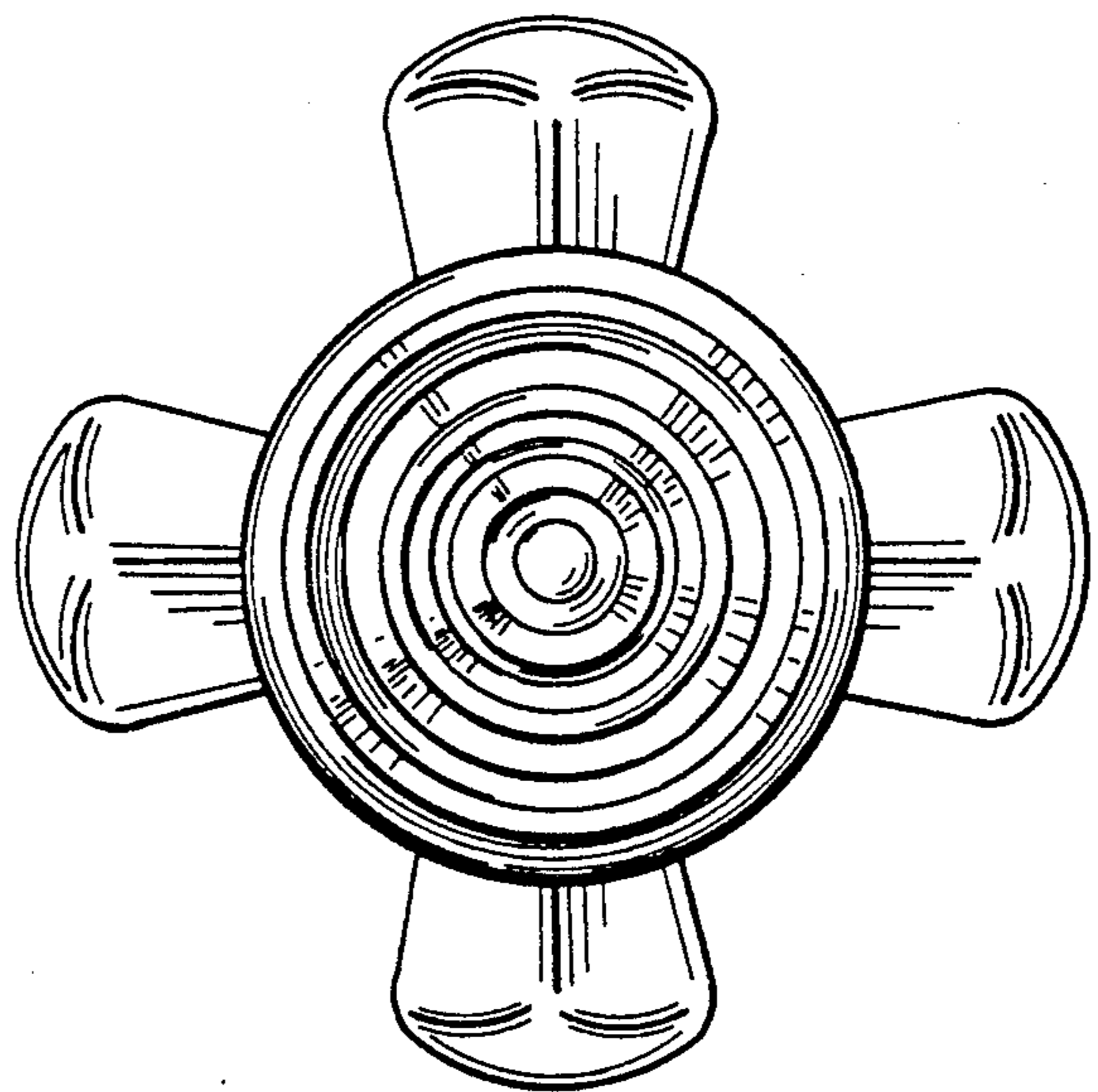
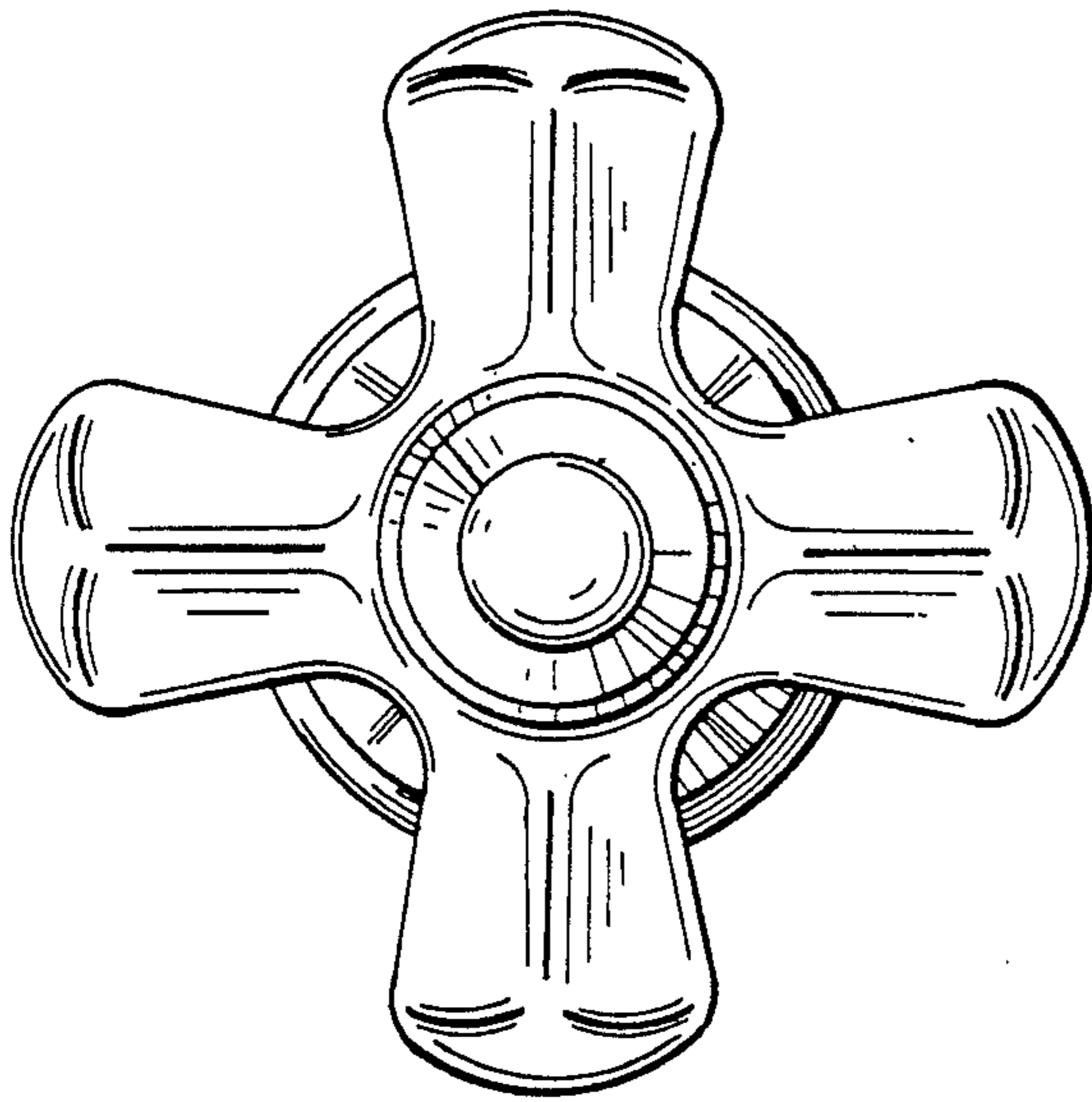


FIG. 5

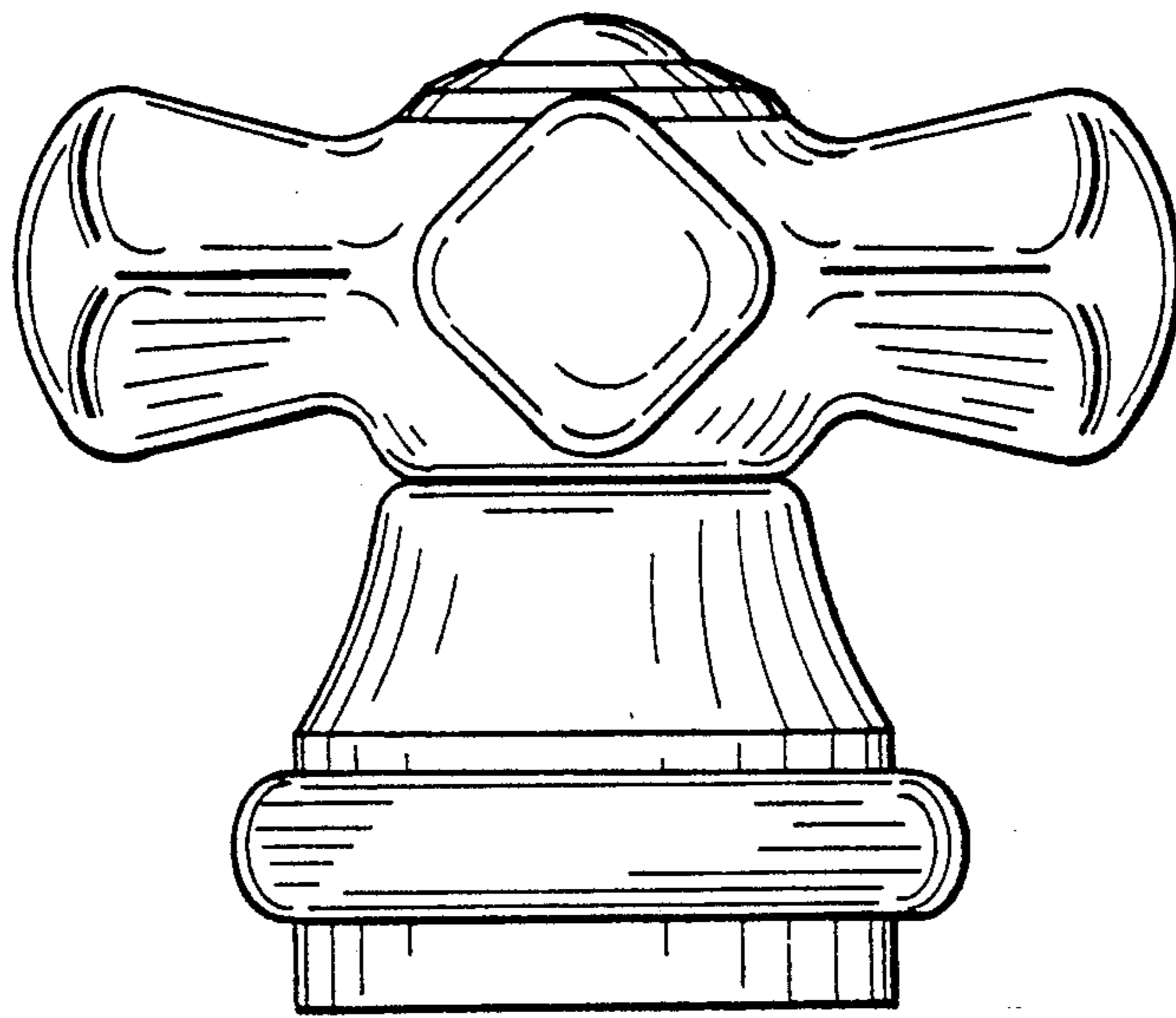


FIG. 2

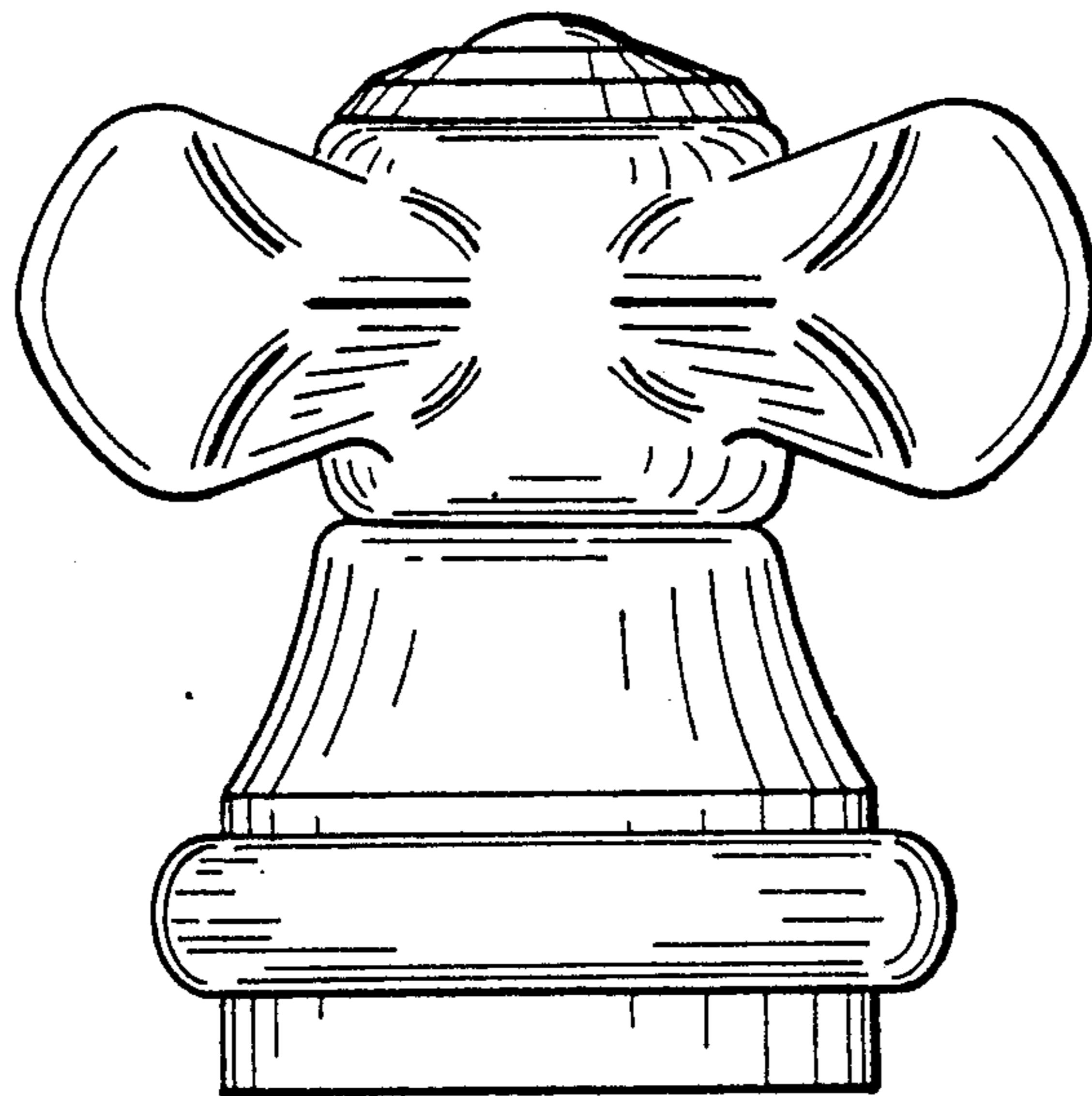


FIG. 3

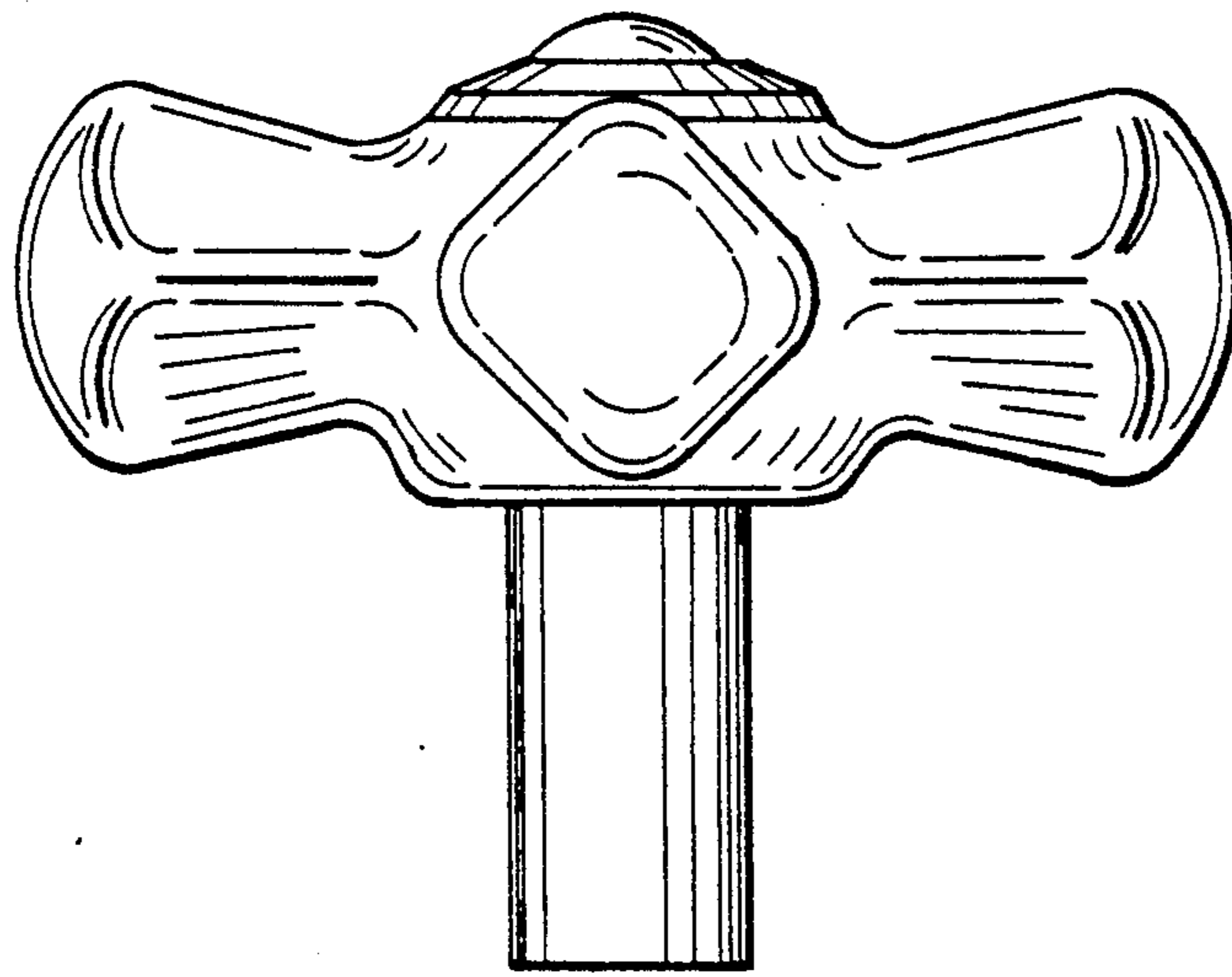


FIG. 7

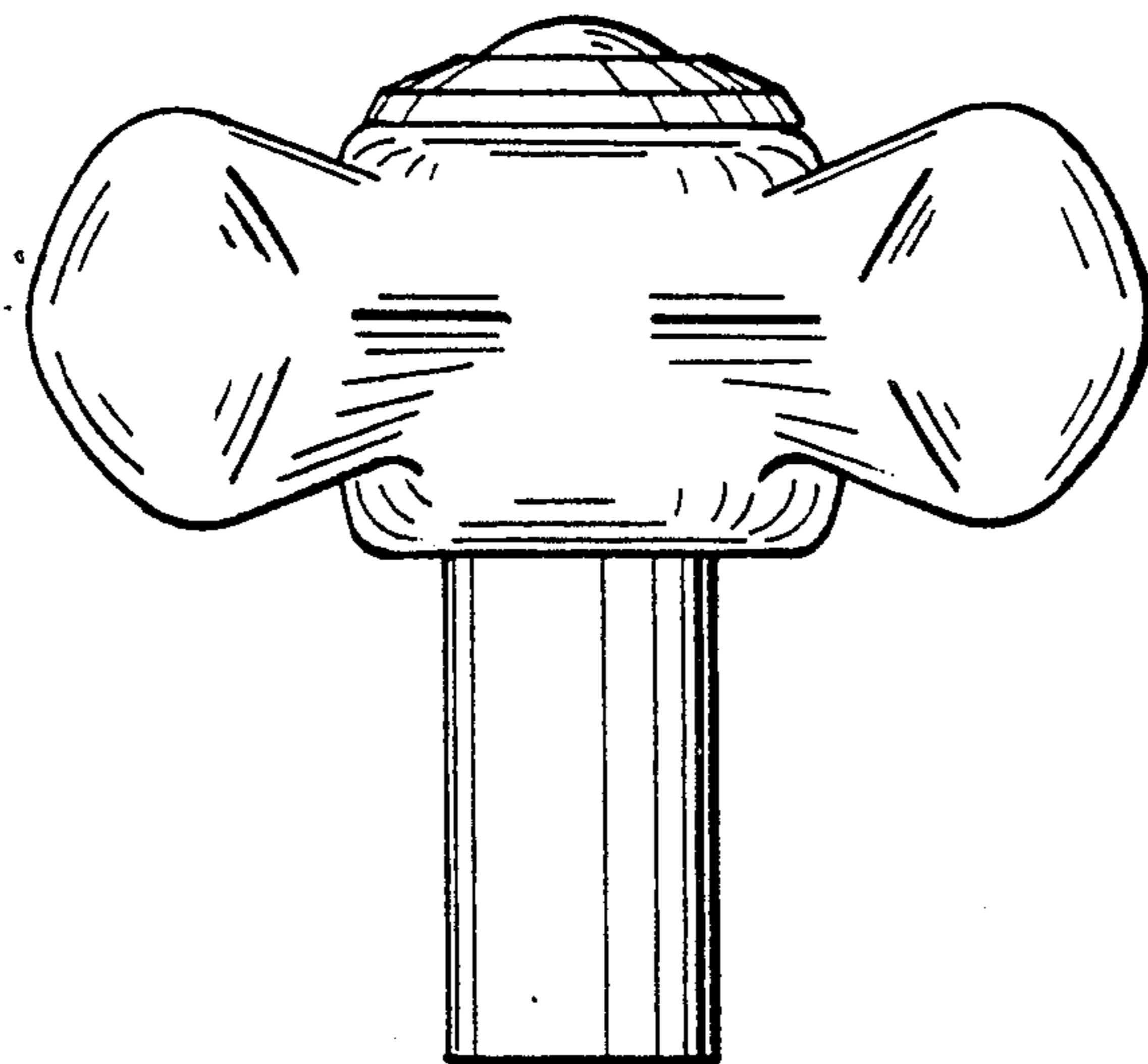


FIG. 8

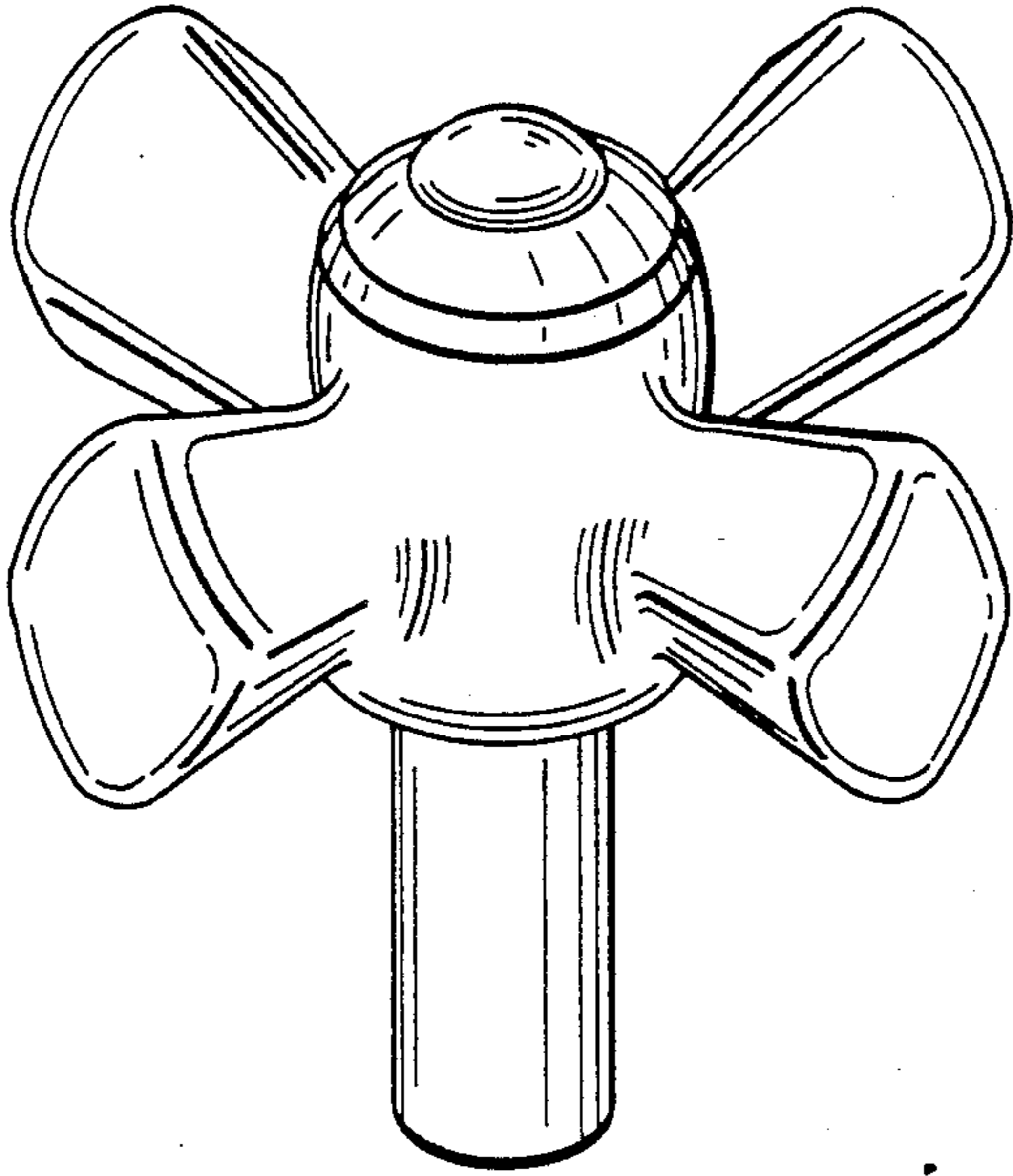


FIG. 6

FIG. 9

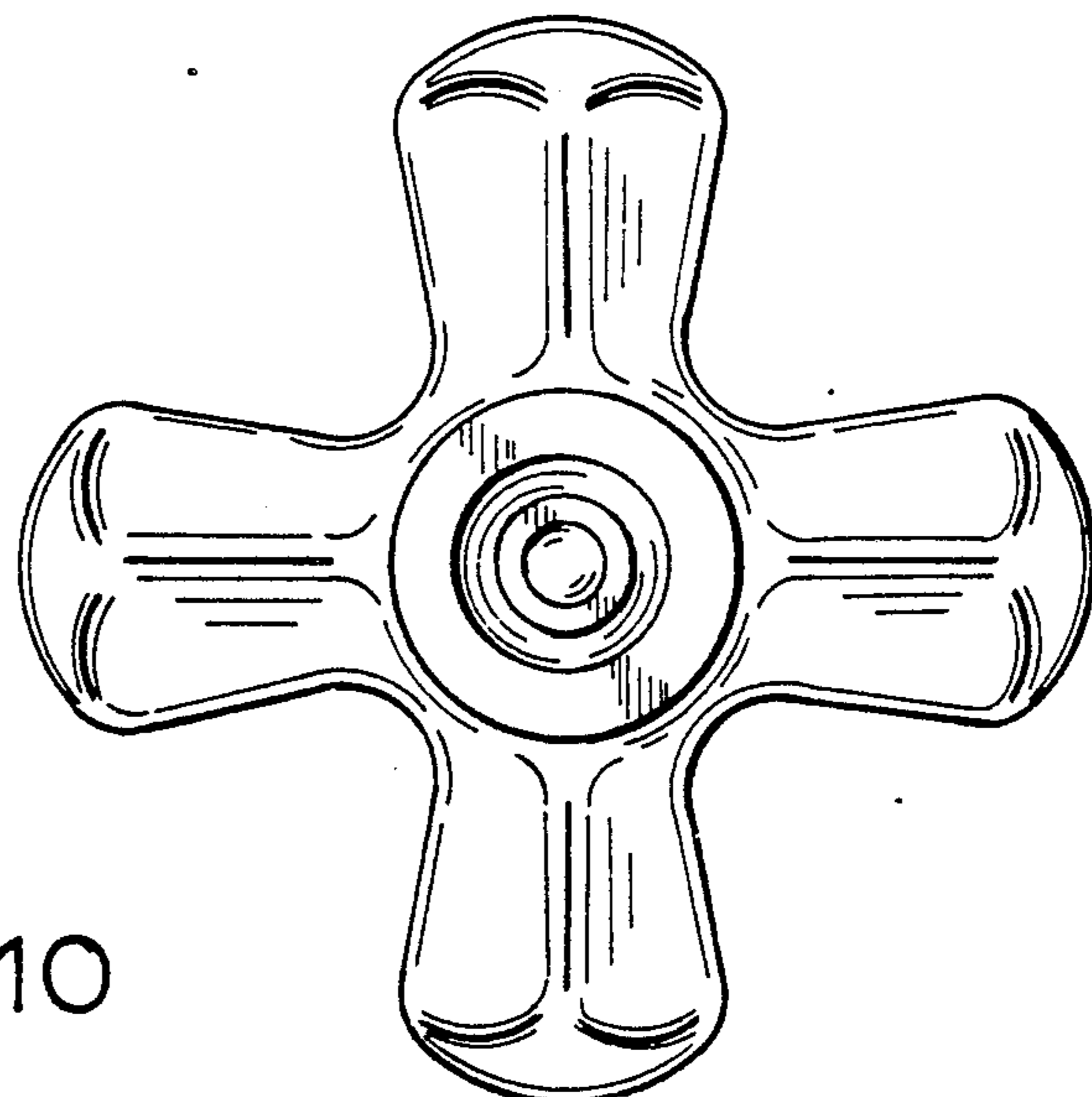
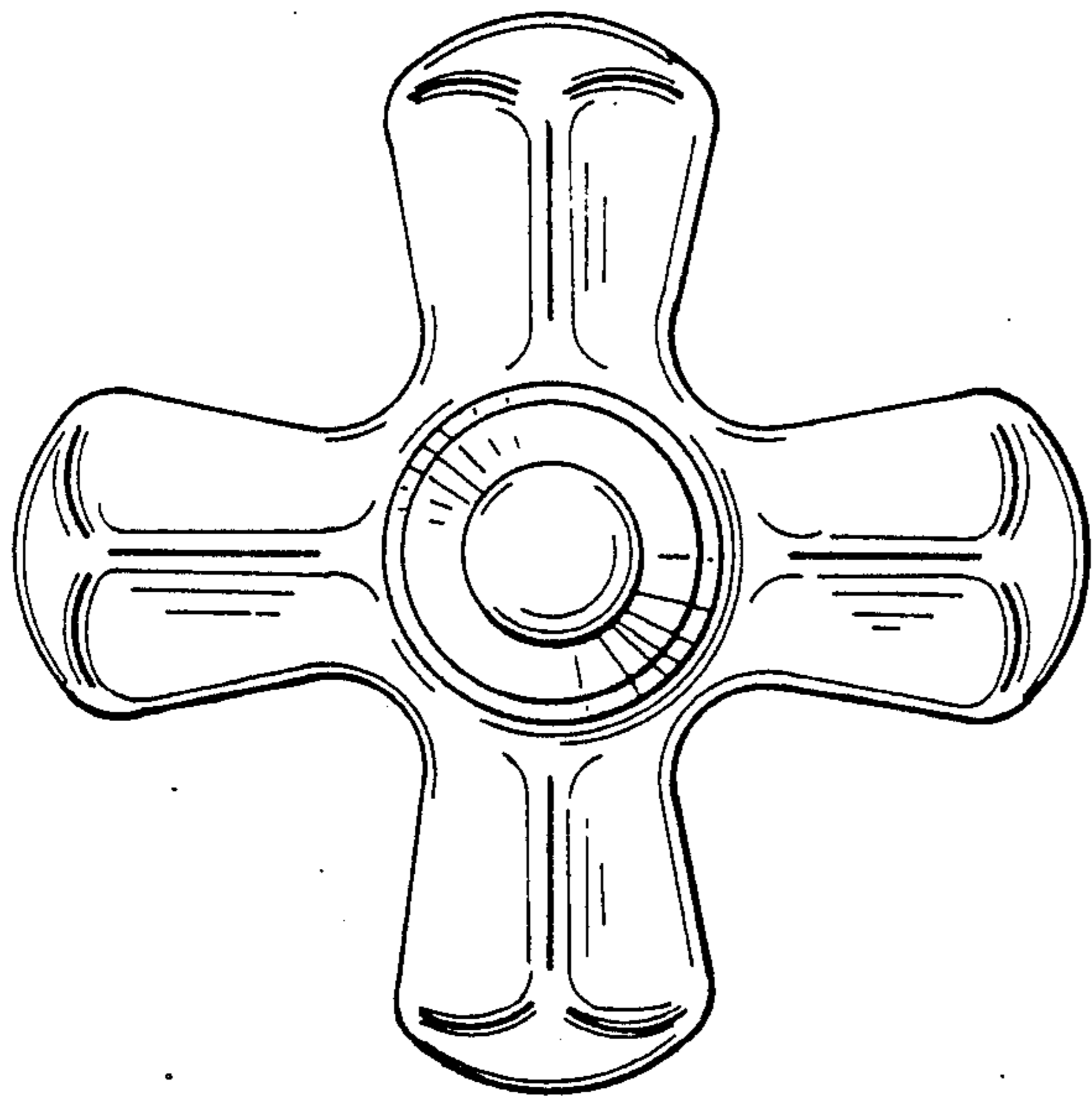


FIG. 10

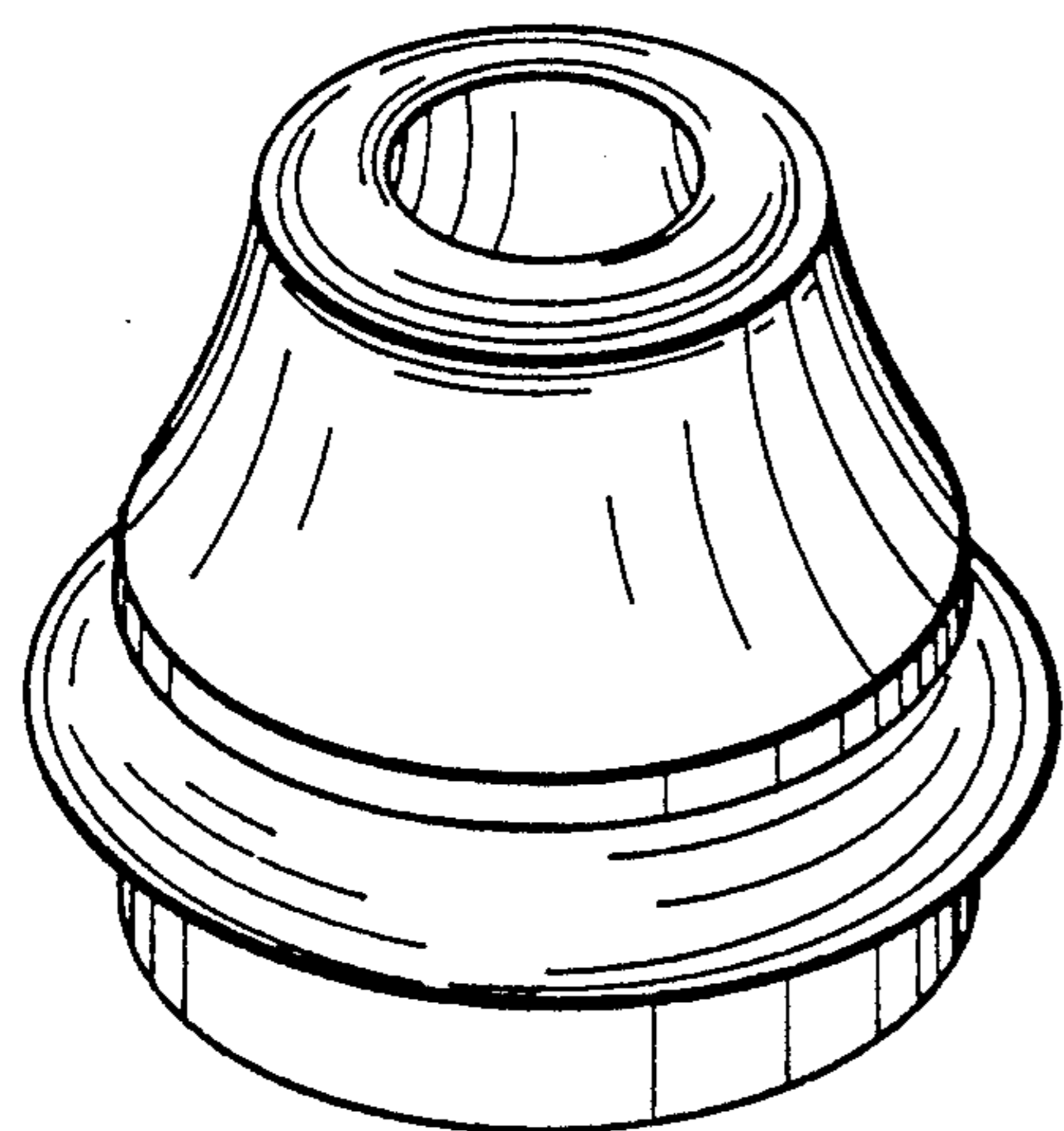


FIG. 11

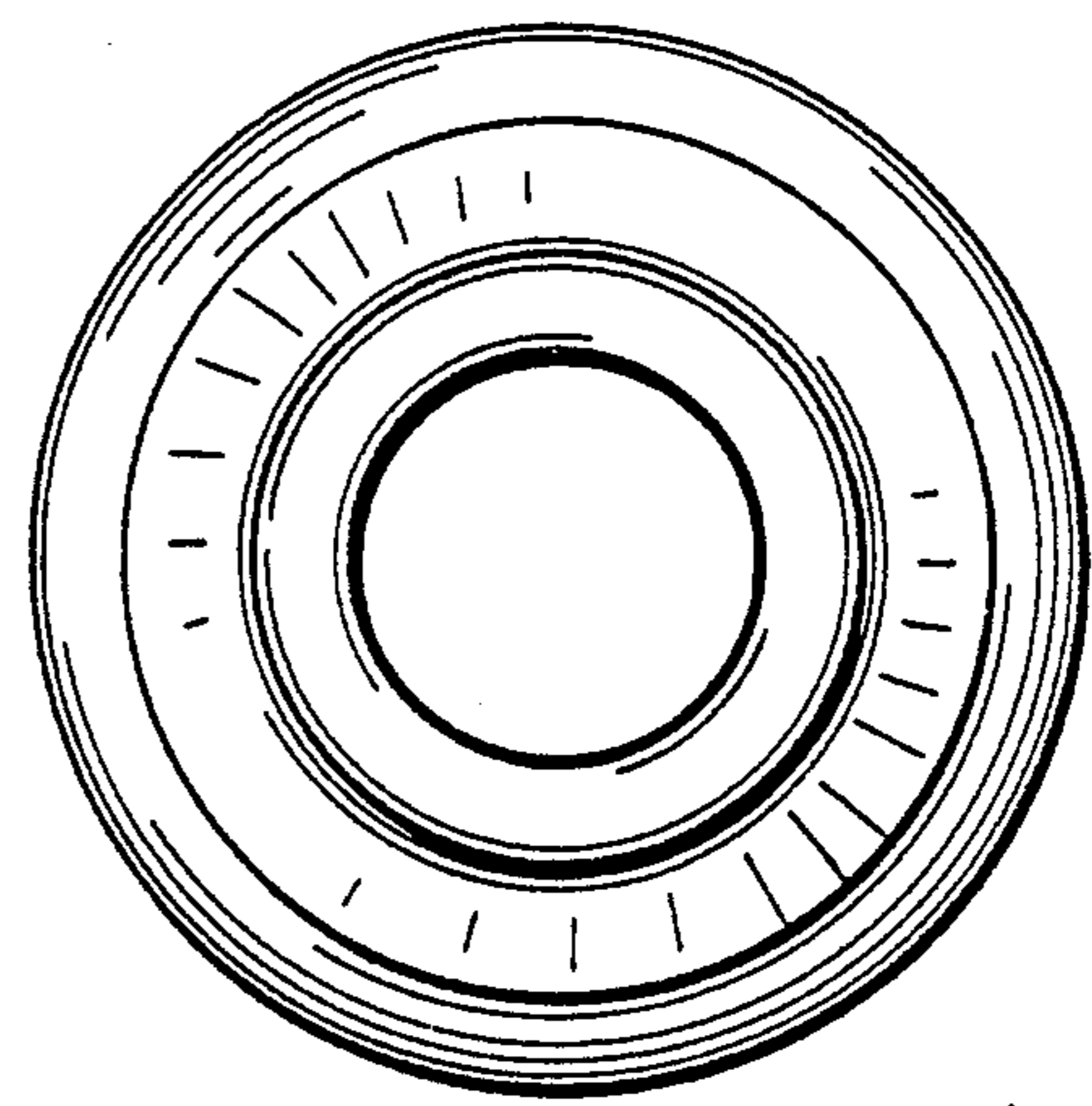


FIG. 13

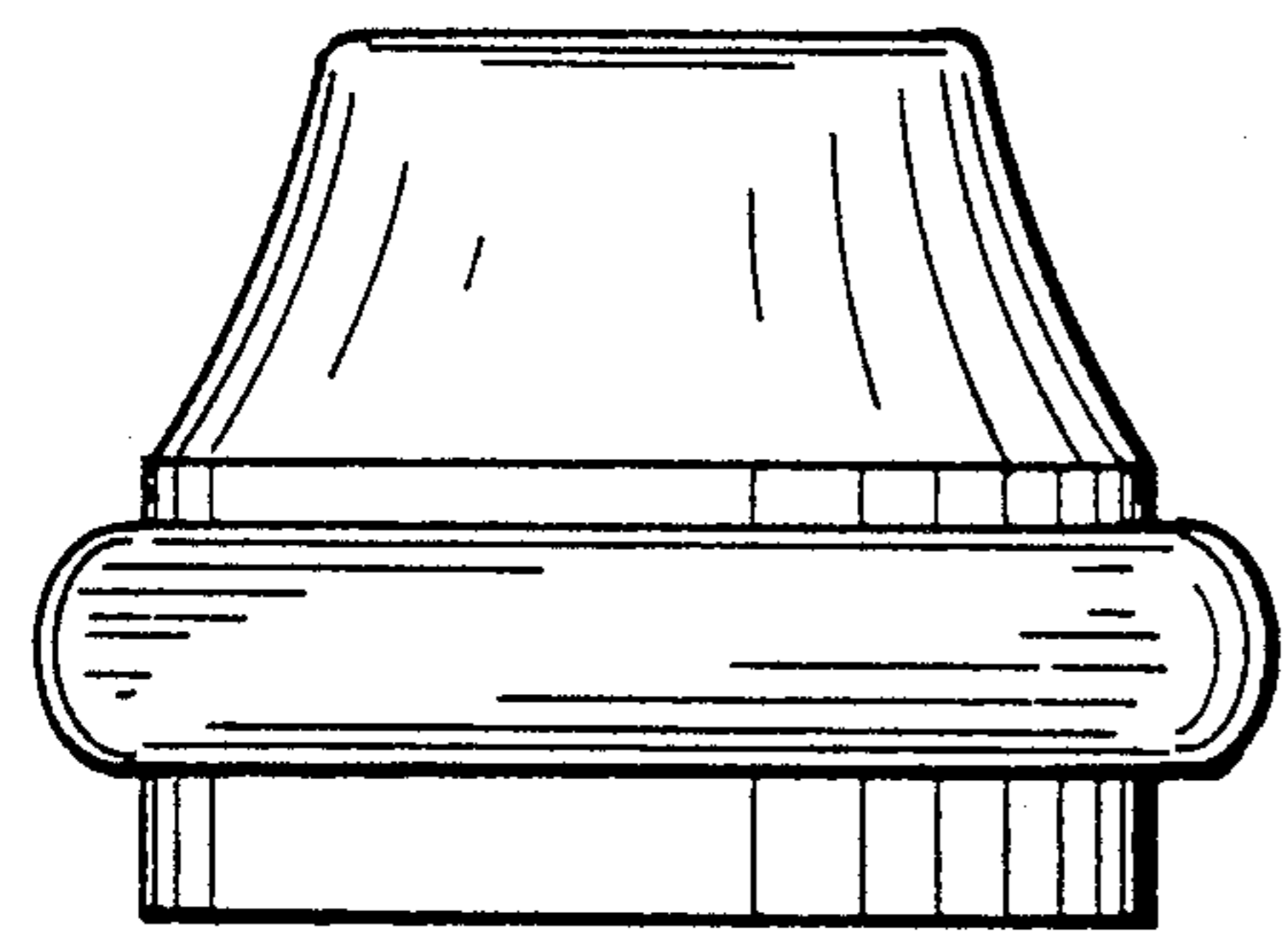


FIG. 12

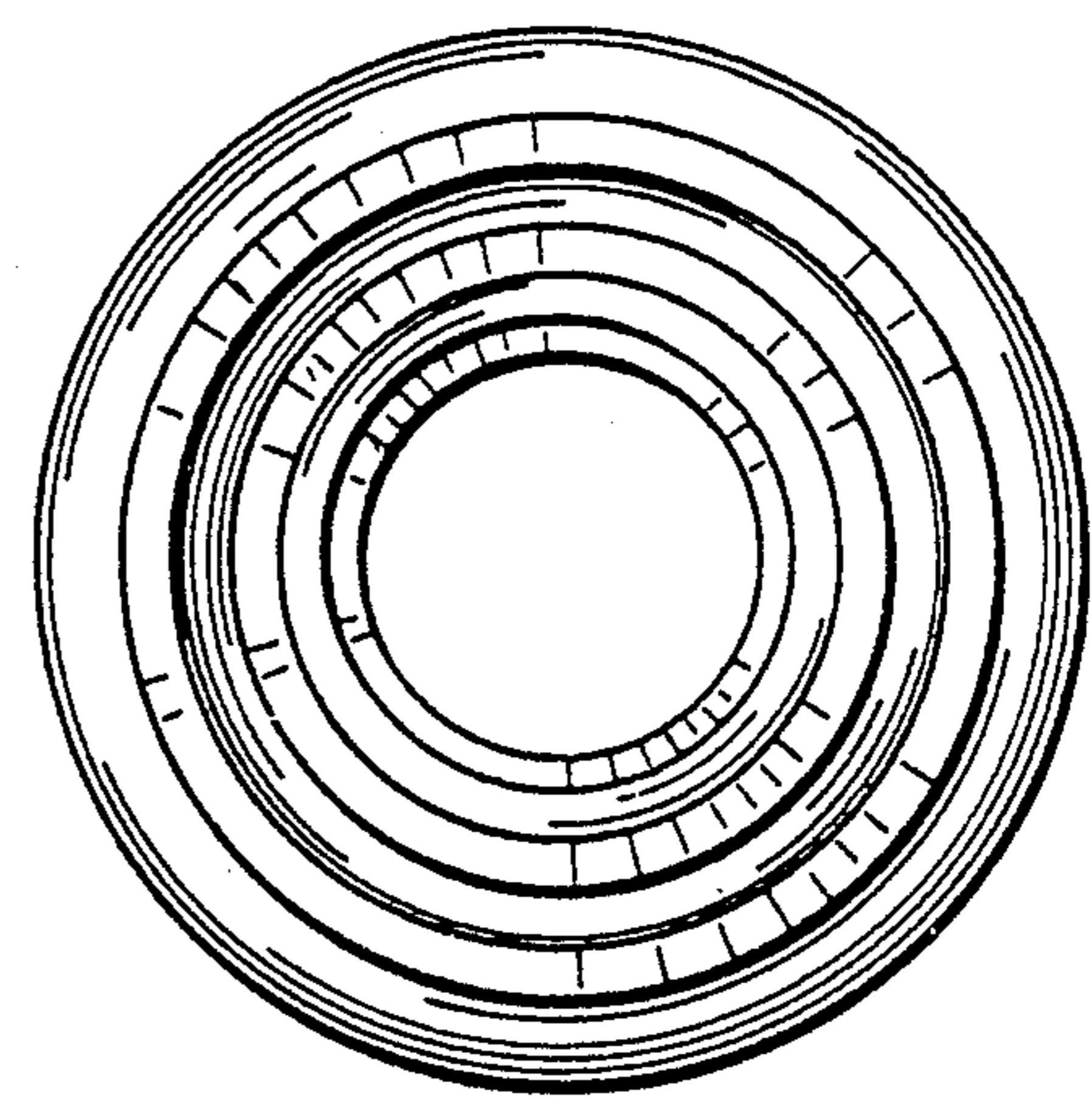


FIG. 14

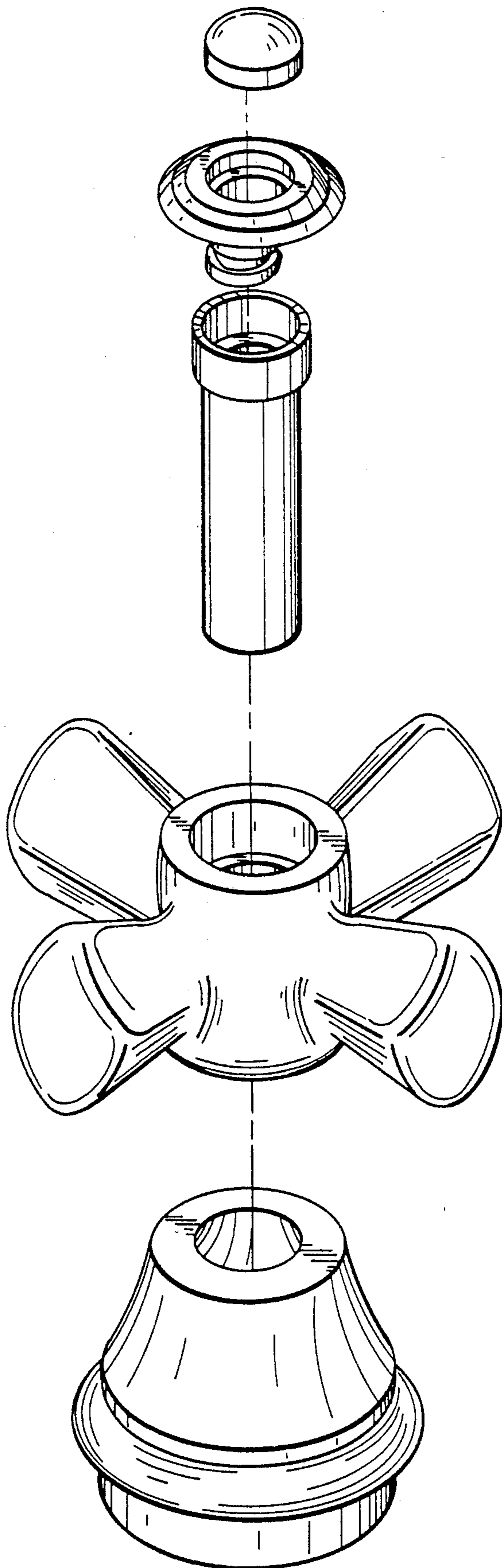


FIG. 15

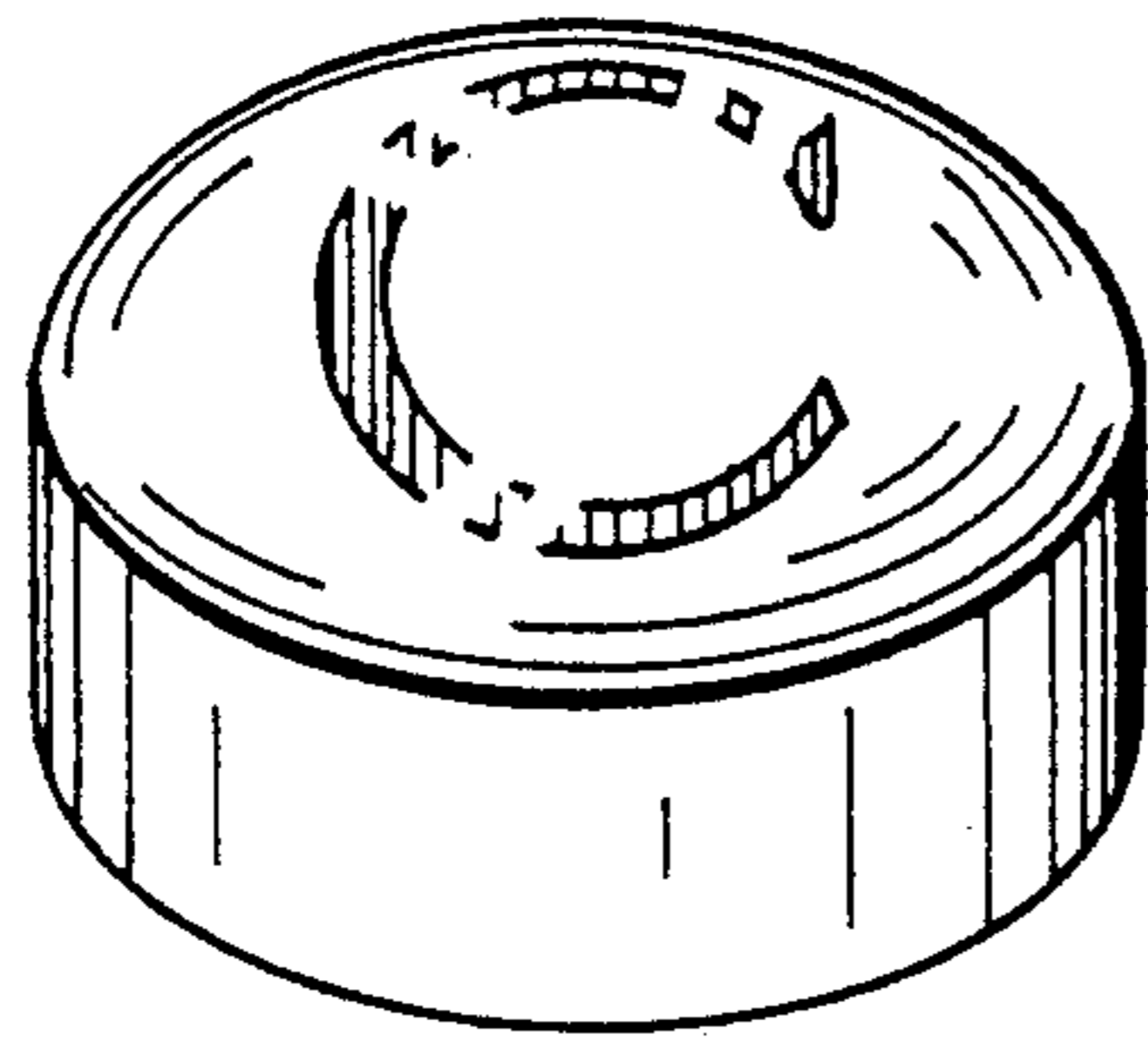


FIG. 16

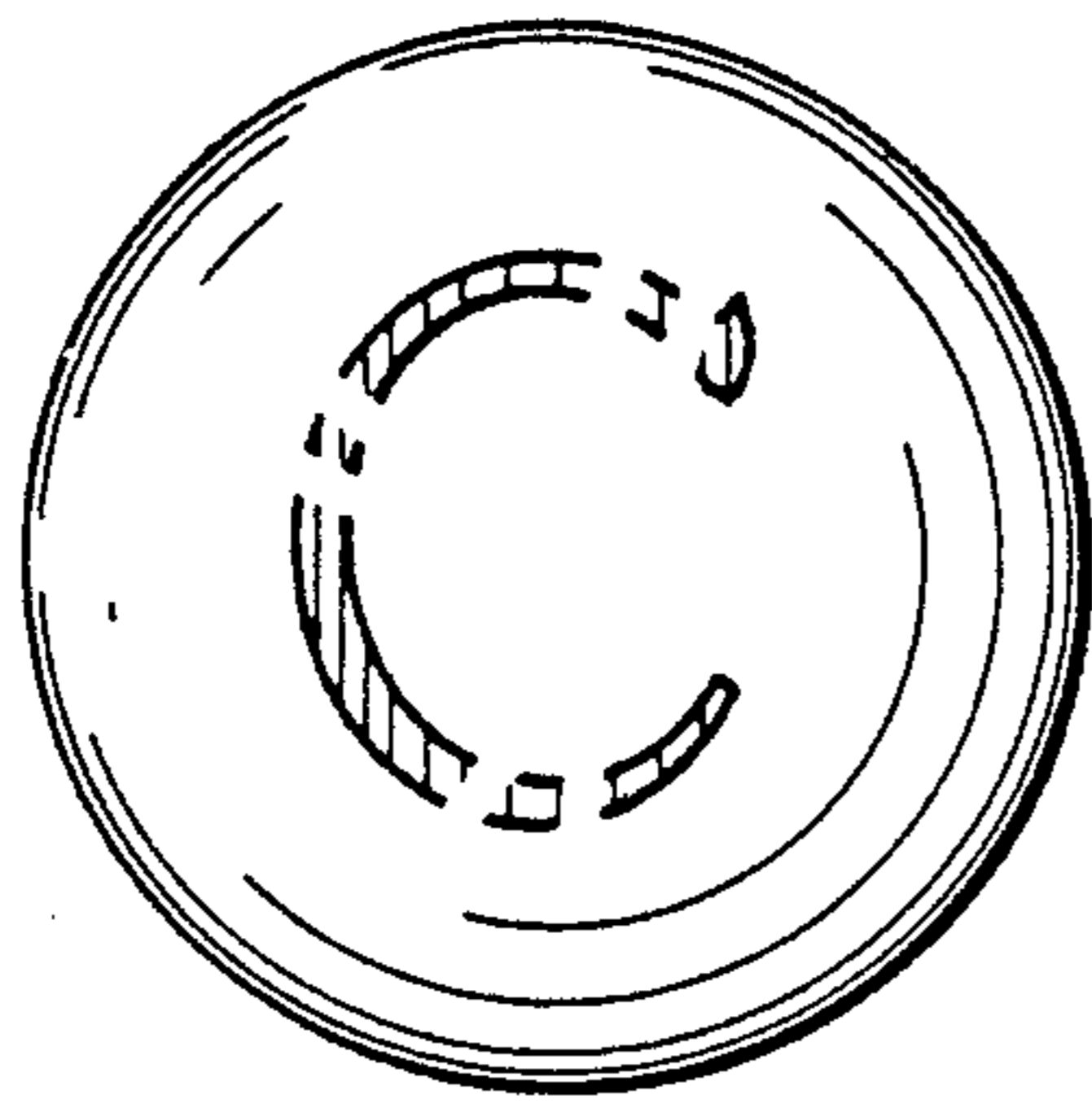


FIG. 17

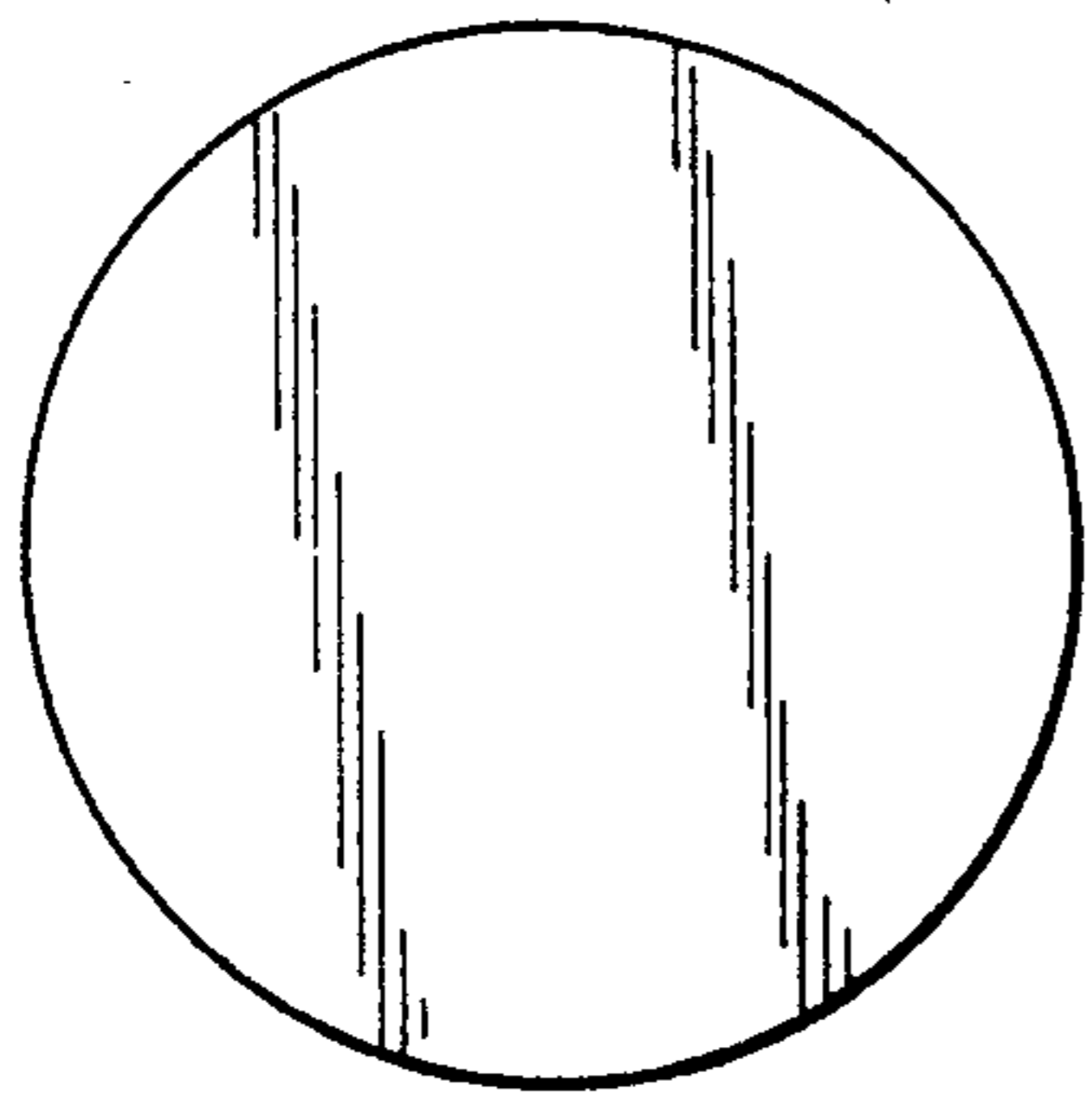


FIG. 18

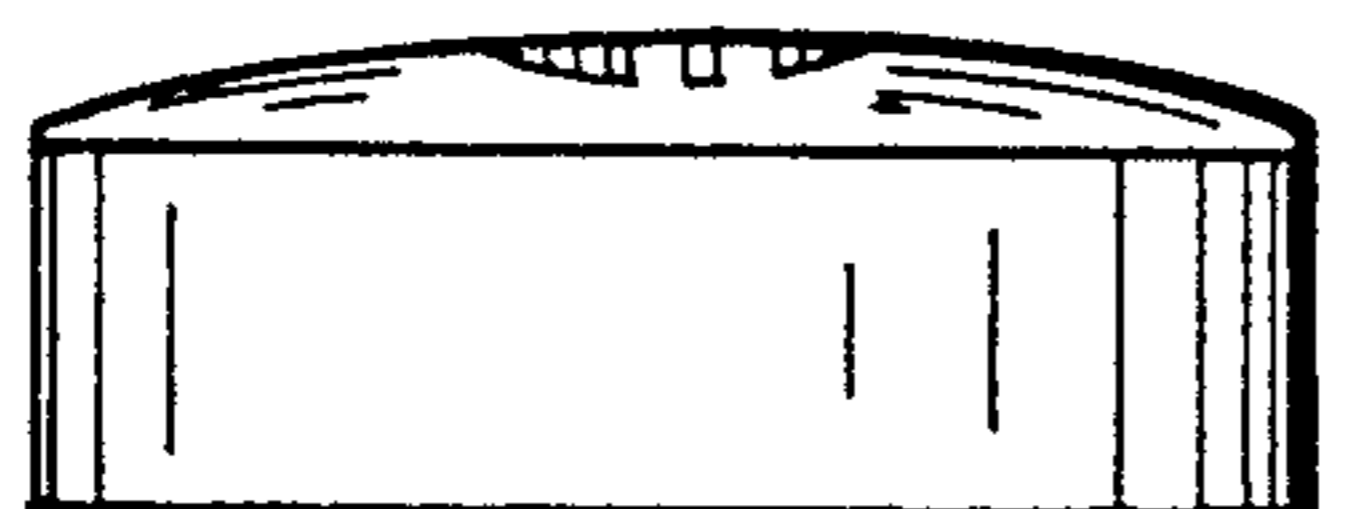


FIG. 19

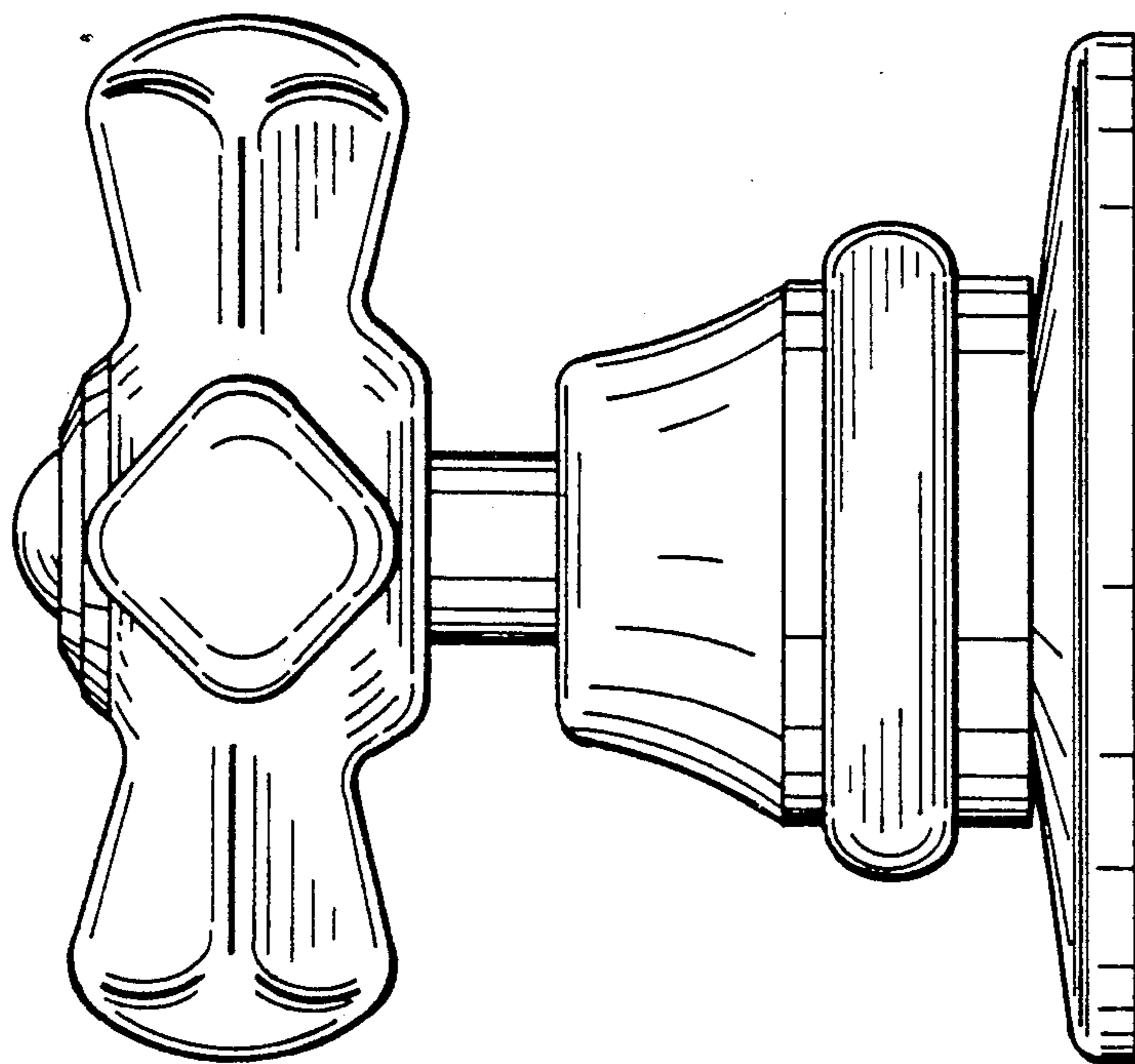


FIG. 21

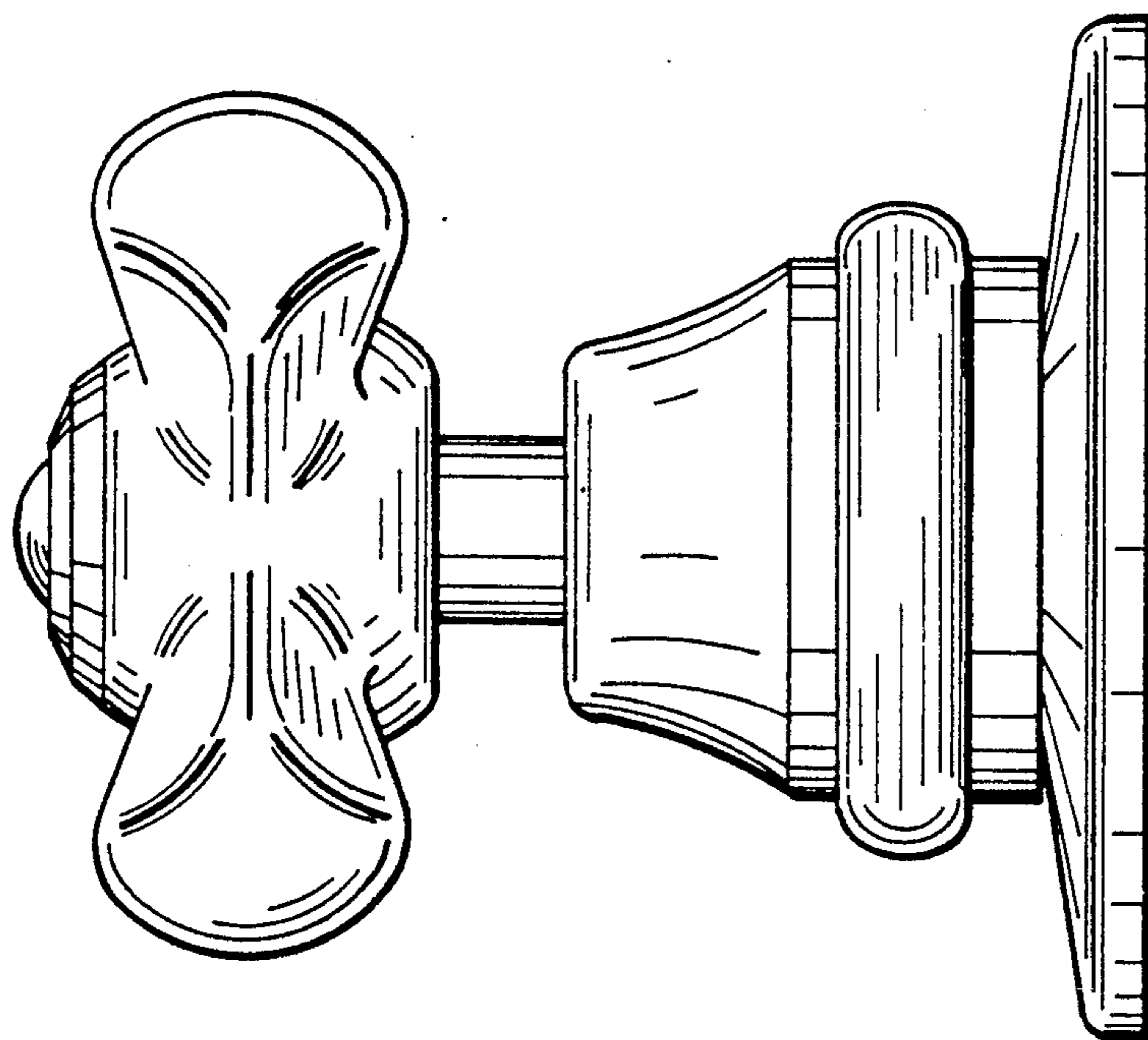


FIG. 22

FIG. 20

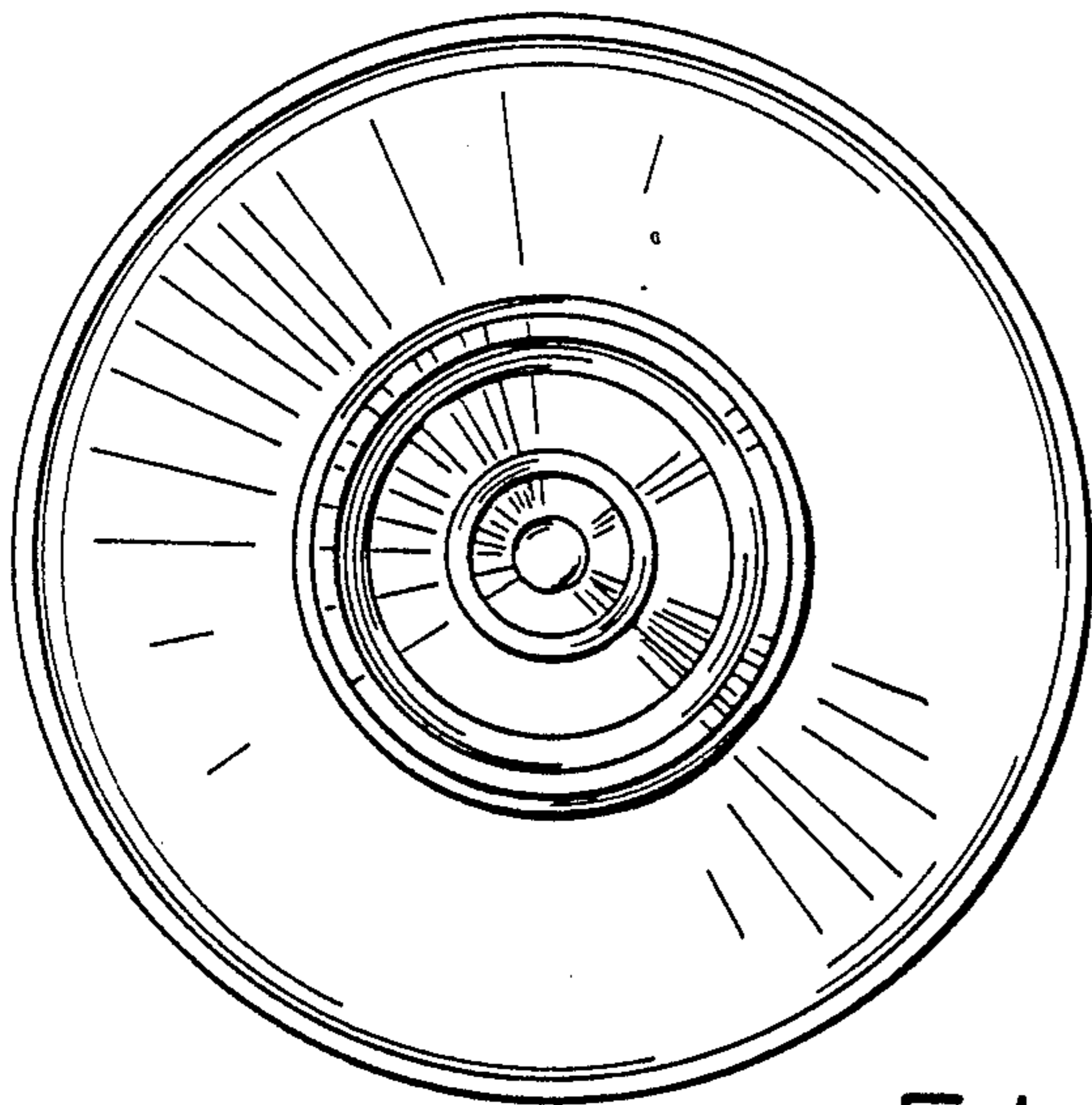
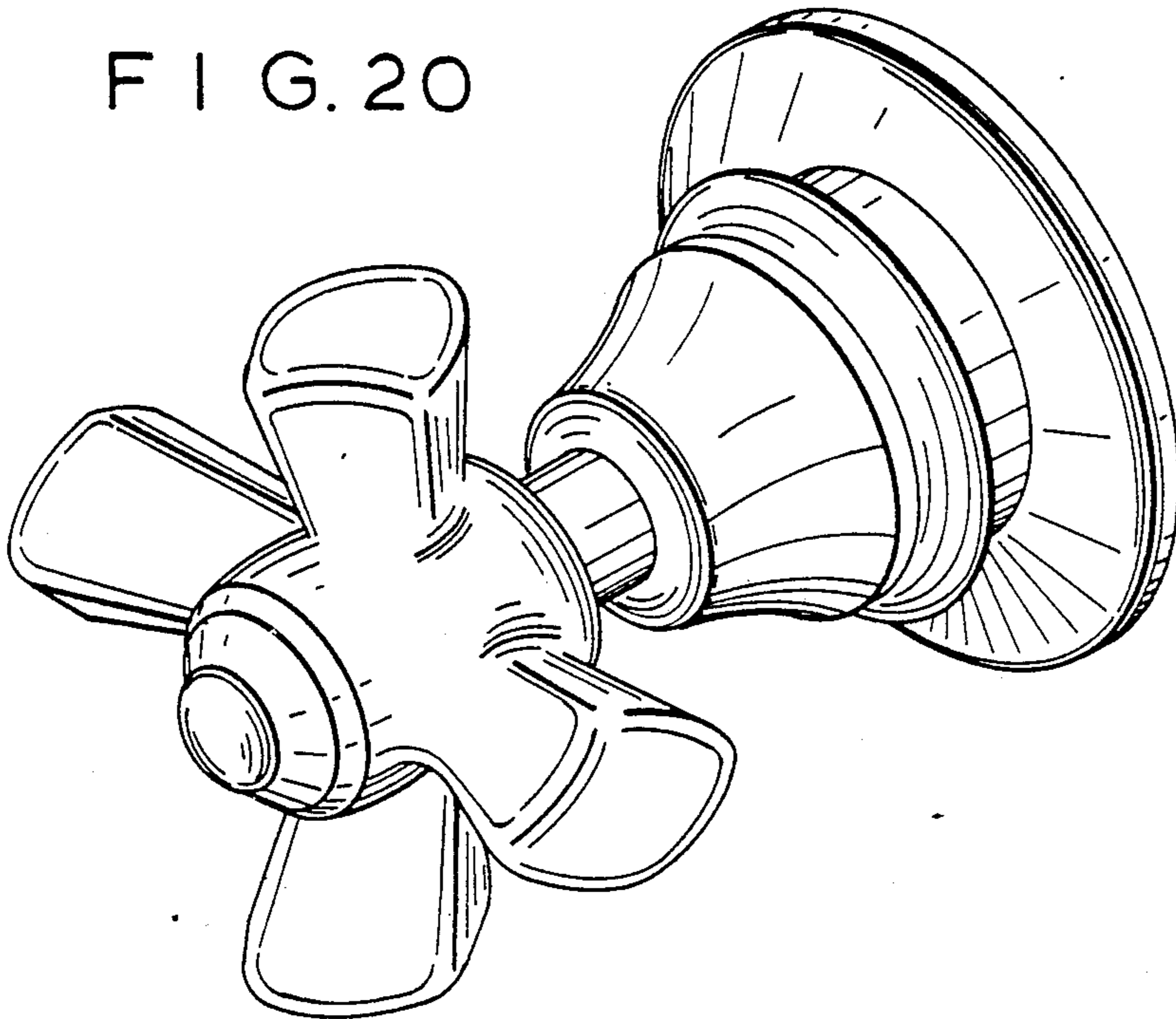


FIG. 24

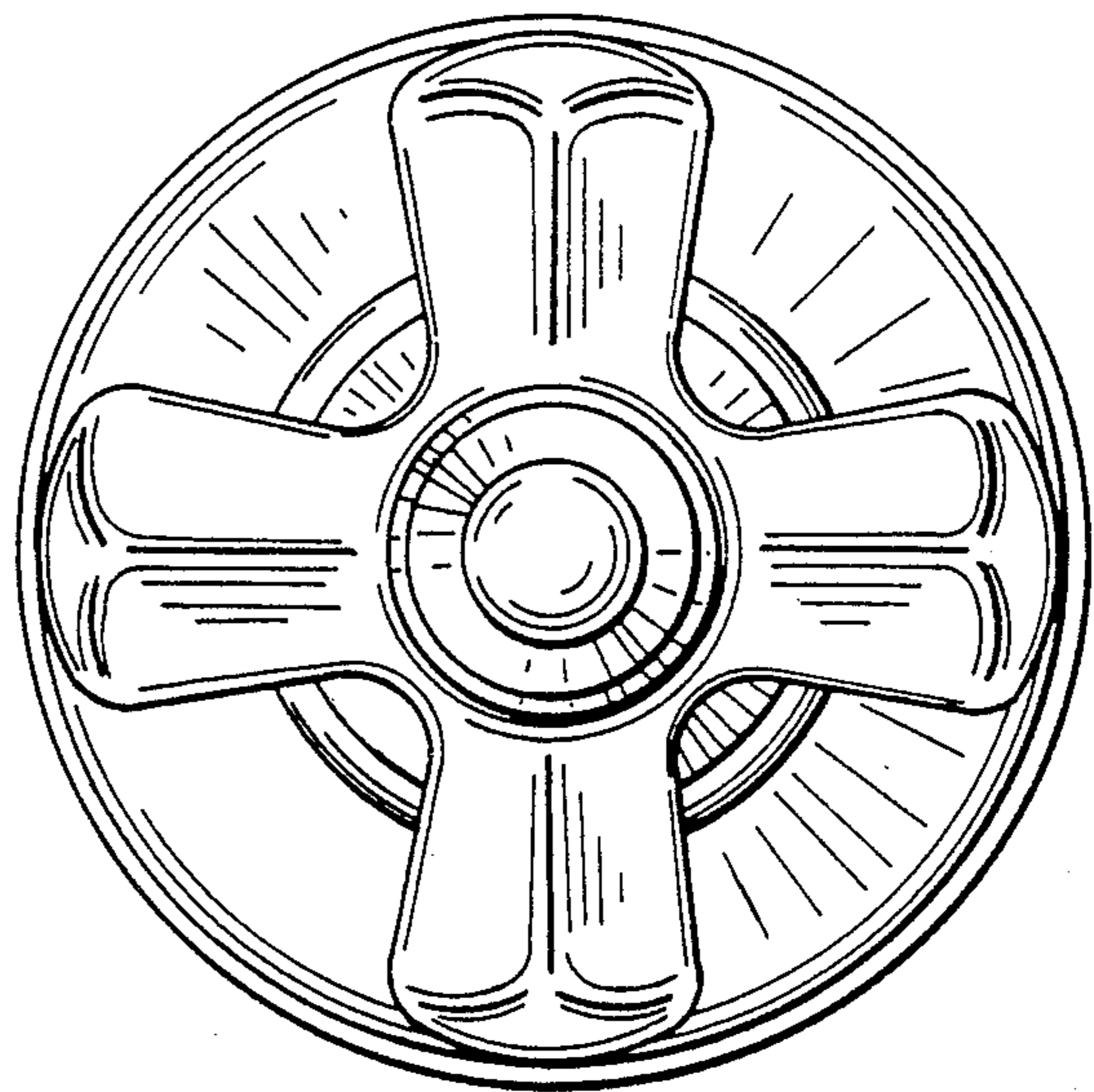


FIG. 23

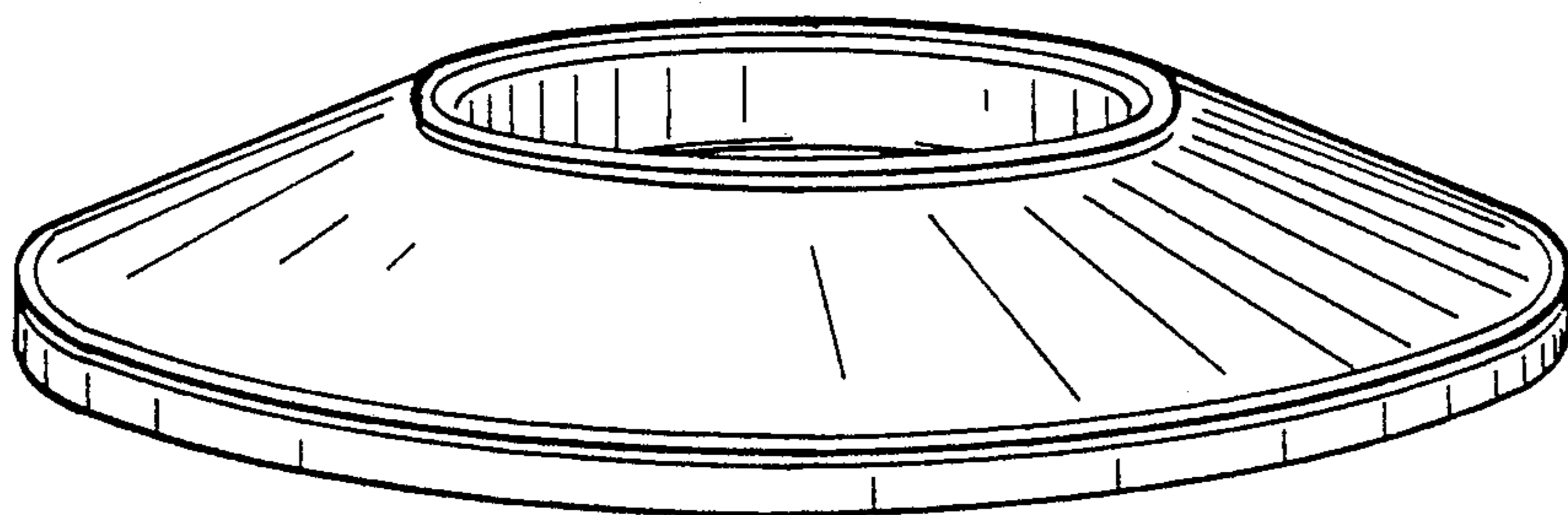


FIG. 25

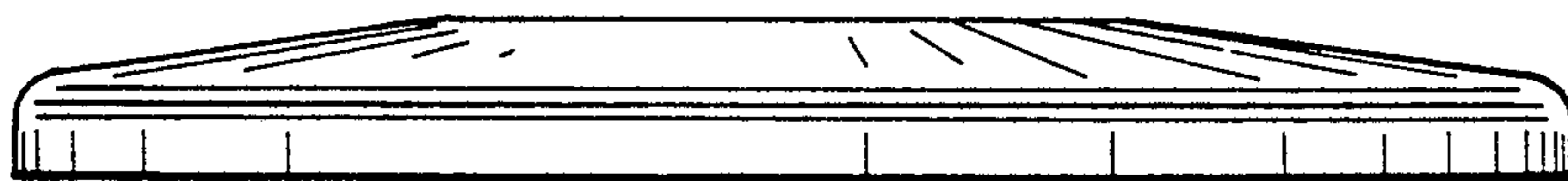


FIG. 26

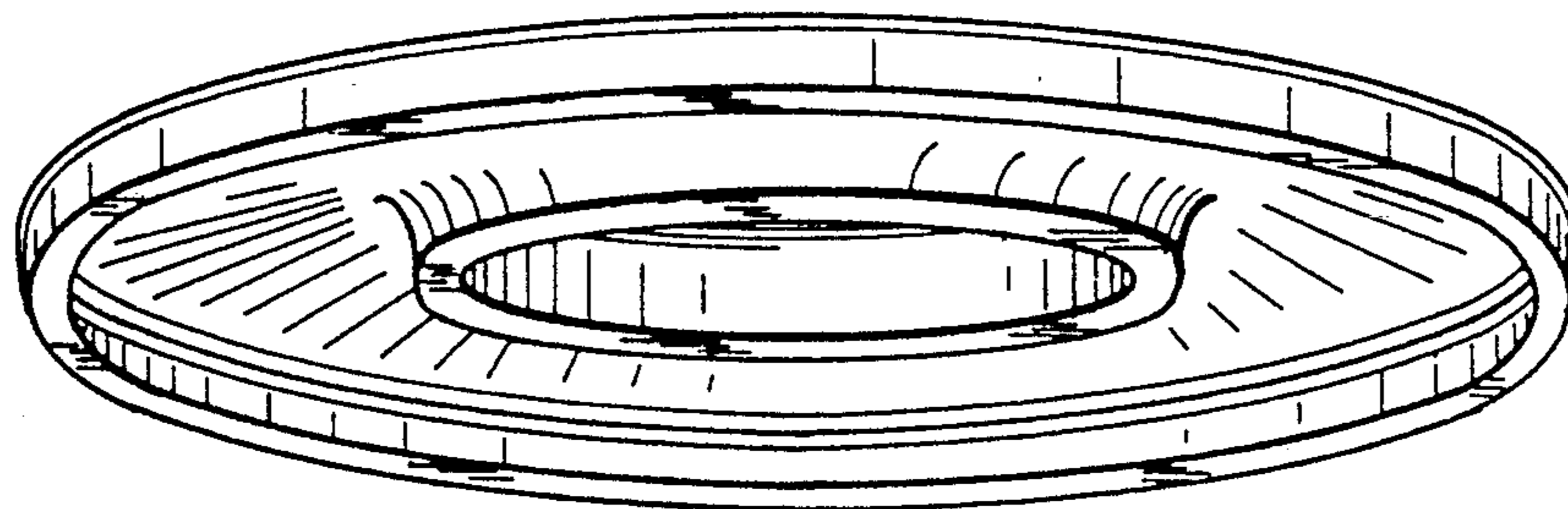


FIG. 27