



US00D325957S

United States Patent [19]

[11] Patent Number: **Des. 325,957**

Van De Veire

[45] Date of Patent: **** May 5, 1992**

[54] TOILET TANK FLUSH CONTROL VALVE
[76] Inventor: **L. Albert Van De Veire**, 23647 W. Edison Rd., South Bend, Ind. 46628

4,114,204 9/1978 Blach 4/324
4,115,882 9/1978 Paulus 4/327
4,144,600 3/1979 Mayes 4/325
4,536,900 8/1985 Hayes 4/324

[**] Term: **14 Years**

Primary Examiner—Wallace R. Burke
Assistant Examiner—Lisa Lichtenstein
Attorney, Agent, or Firm—Terry M. Gernstein

[21] Appl. No.: **356,386**

[22] Filed: **May 24, 1989**

[52] U.S. Cl. **D23/236**

[57] **CLAIM**

[58] Field of Search D23/233-237,
D23/243-249; 4/324, 325, 415, 398, 413;
137/625.64

The ornamental design for a toilet tank flush control valve, as shown and described.

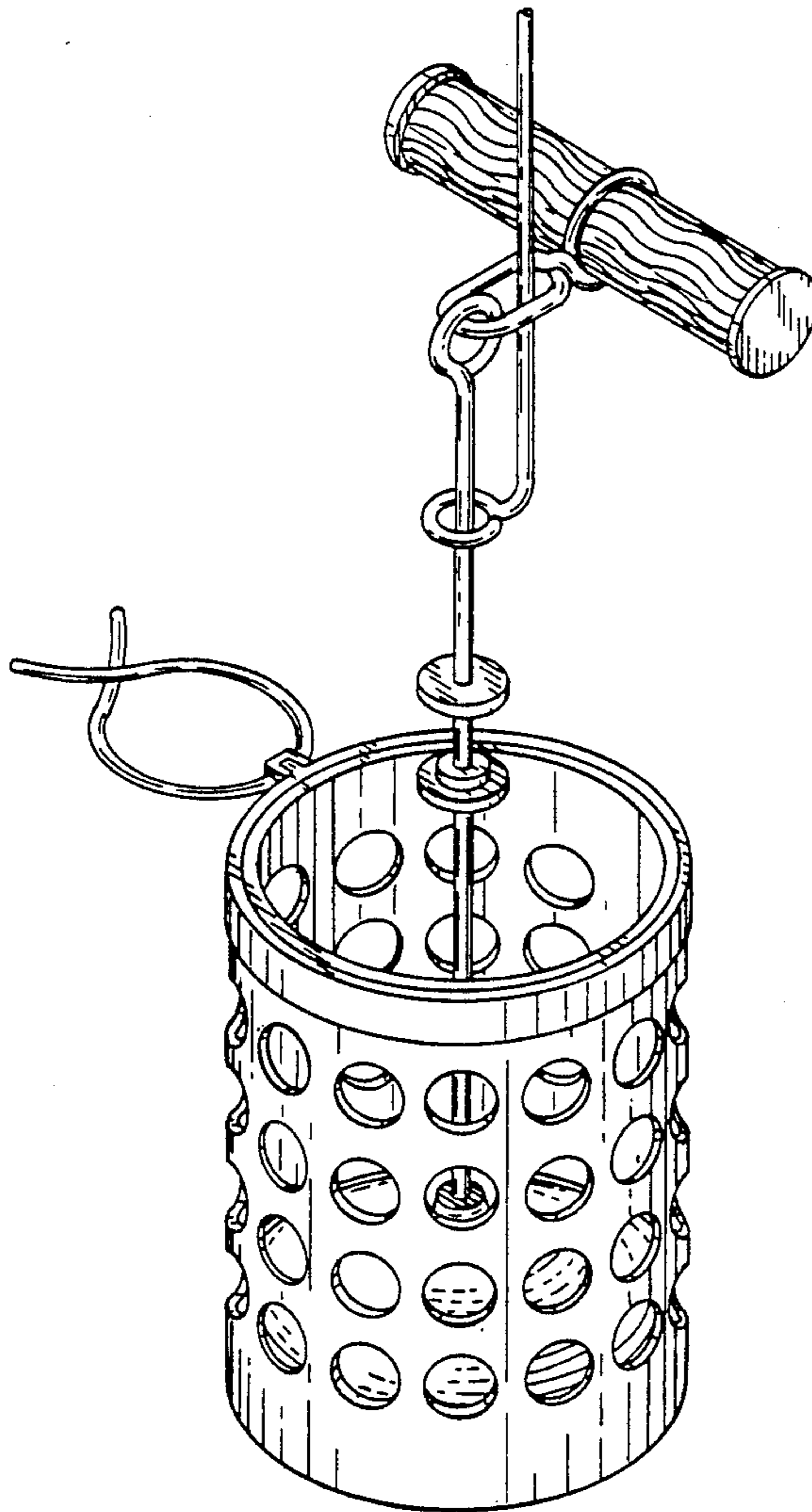
DESCRIPTION

[56] **References Cited**

U.S. PATENT DOCUMENTS

2,602,934 7/1952 McCormack et al. 4/324
2,626,400 1/1953 Castellano 4/324
2,632,182 3/1953 Stader 4/398
2,668,960 2/1954 Barrett-Lennard D23/236
3,799,193 3/1974 Greenwood et al. 137/625.64
3,981,029 9/1976 Johnson 4/67
4,110,849 9/1978 La Faver 4/415

FIG. 1 is a top and left side perspective view of a toilet tank flush control valve, showing my new design; FIG. 2 is a top plan view thereof; FIG. 3 is a left side elevational view thereof, the right side being a mirror image of that shown; FIG. 4 is a bottom plan view thereof; and, FIG. 5 is a front elevational view thereof. The top wire in FIGS. 1-3 and 5, has been broken away for convenience of illustration.



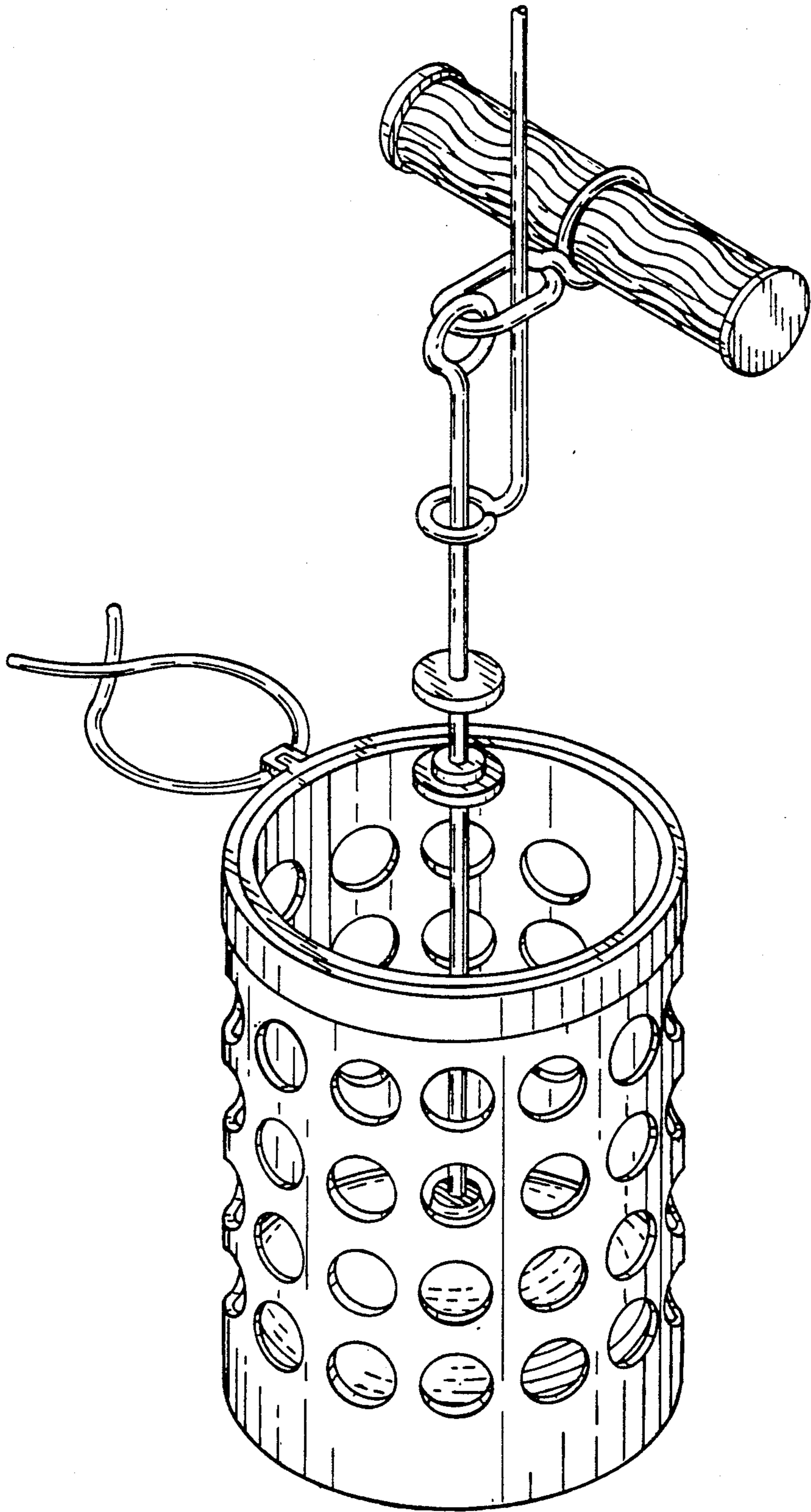


FIG. 1

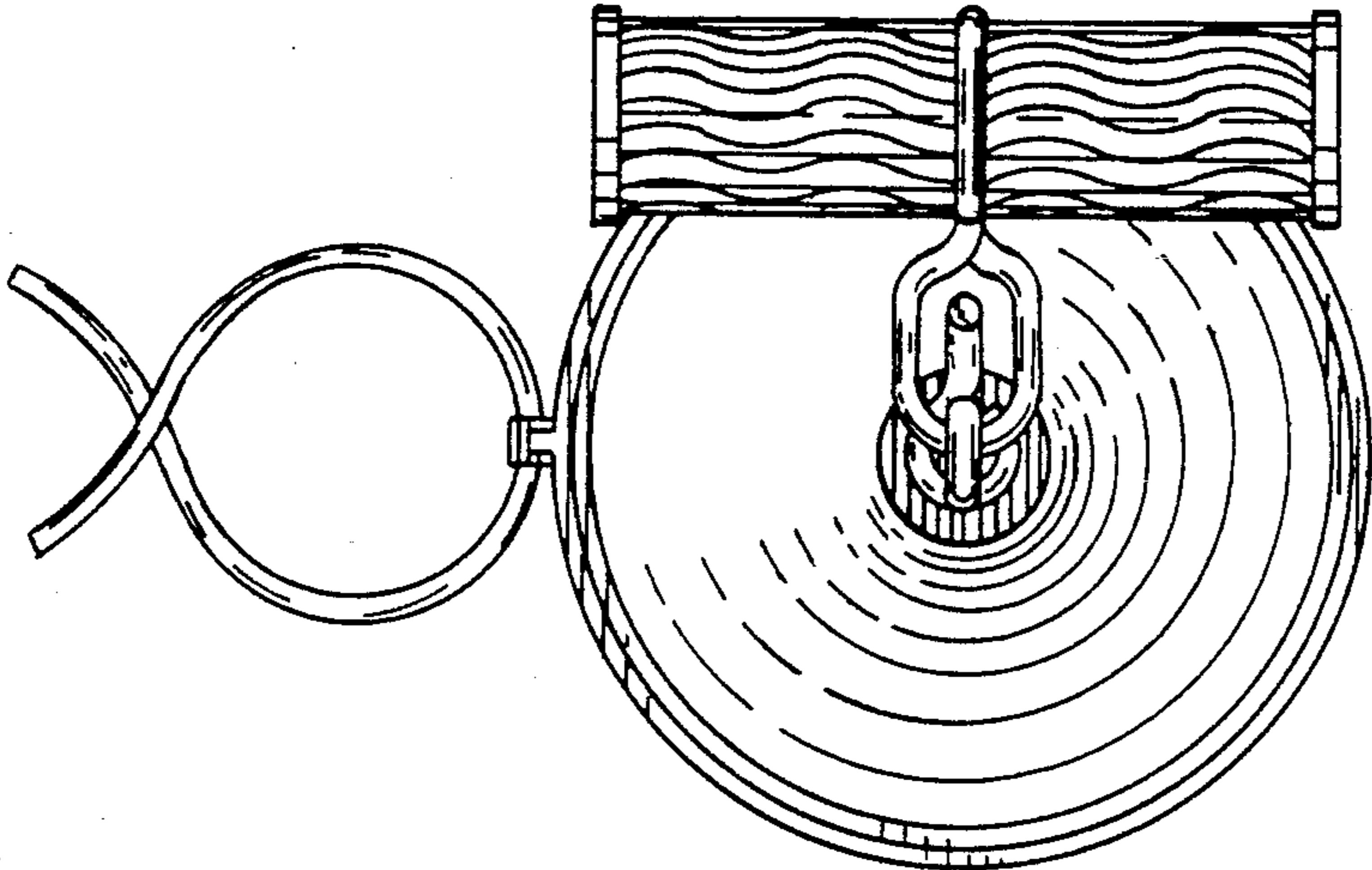


FIG. 2

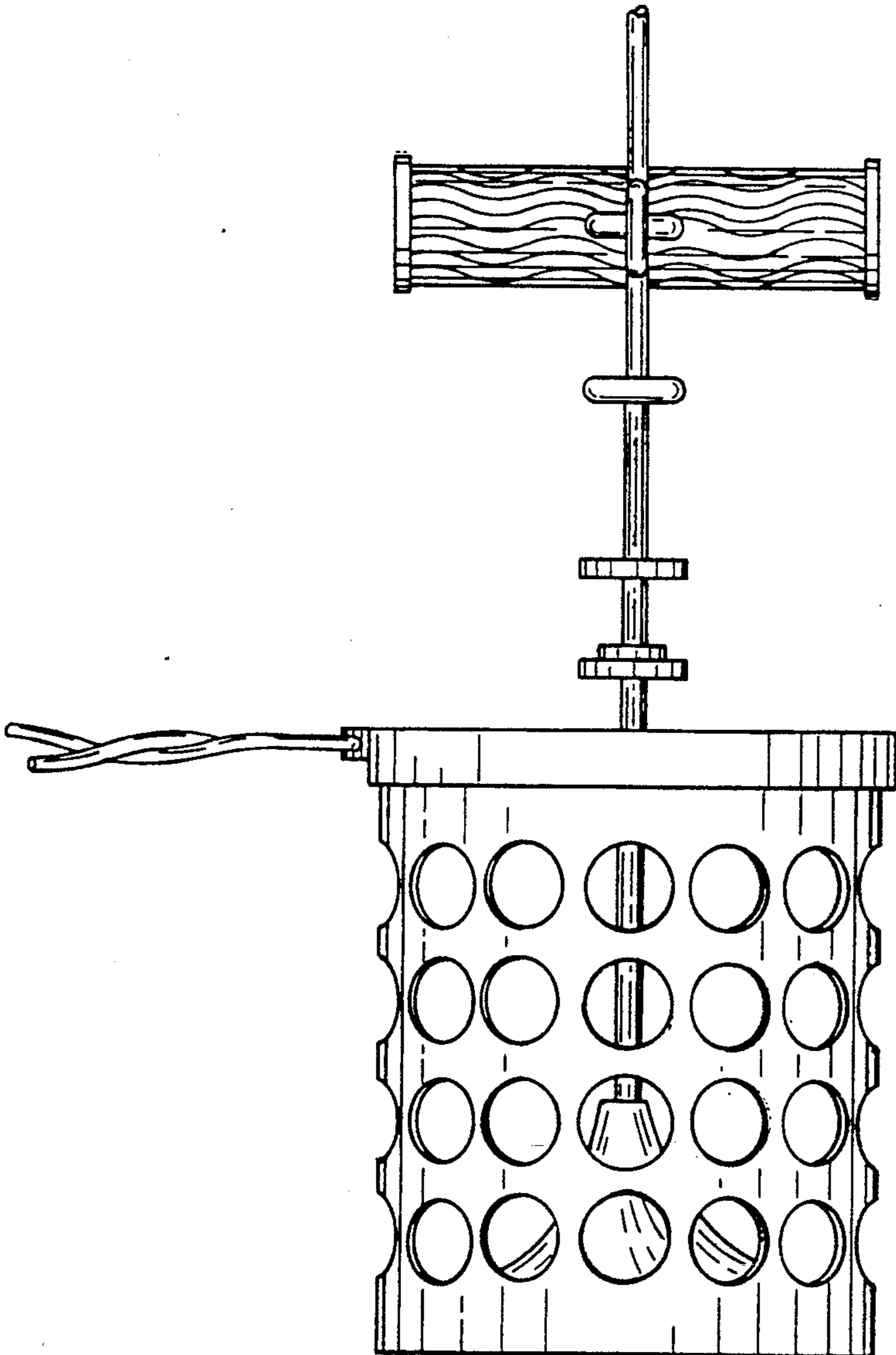


FIG. 3

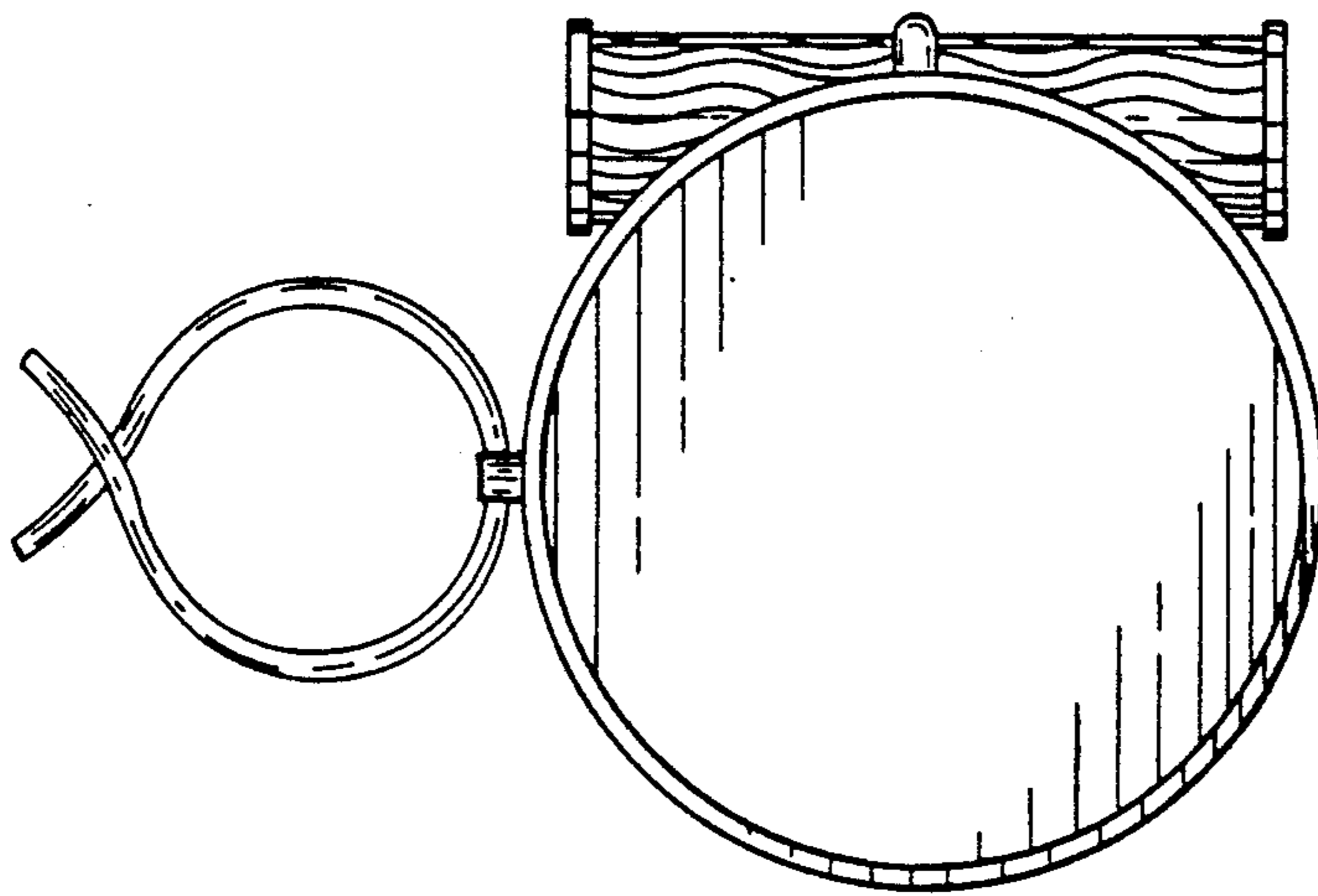


FIG. 4

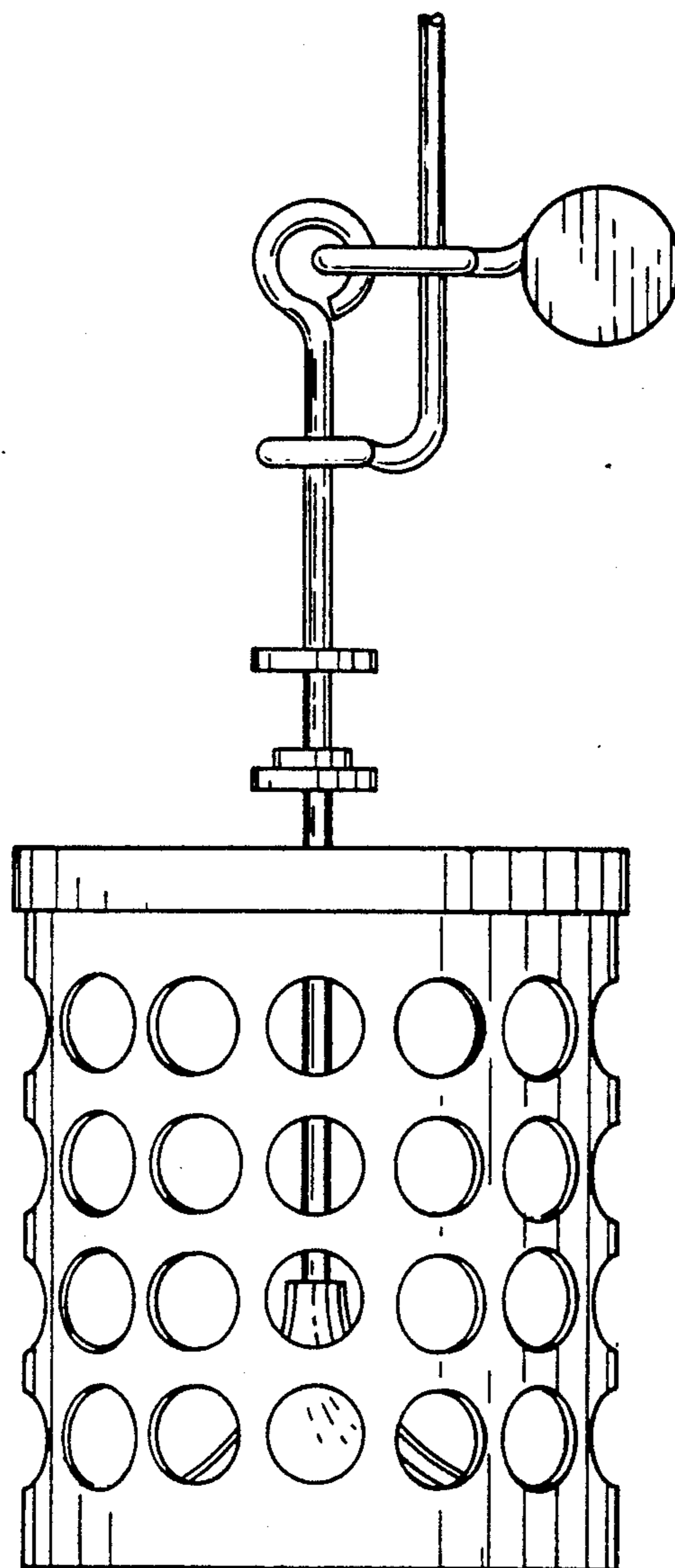


FIG. 5