



US00D325956S

# United States Patent [19]

Ali

[11] Patent Number: **Des. 325,956**

[45] Date of Patent: **\*\* May 5, 1992**

## [54] HANDLE FOR AN HERBICIDE SPRAYER

[75] Inventor: **Eren Ali, Bristol, United Kingdom**

[73] Assignee: **Nomix Manufacturing Company Limited, United Kingdom**

[\*\*] Term: **14 Years**

[21] Appl. No.: **457,543**

[22] Filed: **Dec. 27, 1989**

### [30] Foreign Application Priority Data

Jun. 30, 1989 [GB] United Kingdom ..... 1060562

[52] U.S. Cl. .... **D23/225**

[58] Field of Search ..... **D23/213, 223-229; 239/530-532, 567-568, 592**

### [56] References Cited

#### U.S. PATENT DOCUMENTS

D. 271.613	11/1983	Watkins	.....	D23/225
D. 282.274	1/1986	Buroff	.....	D23/225
2,388,445	11/1945	Stewart	.	
3,184,113	5/1965	Curtis	.	
3,539,103	11/1970	Marsh	.	
4,083,497	4/1978	Rosenberger	.	
4,541,568	9/1985	Lichfield	.....	239/449 X
4,609,148	9/1986	Gill	.	
4,932,592	6/1990	Abbott et al.	.....	239/530

### FOREIGN PATENT DOCUMENTS

0110713	6/1984	European Pat. Off.	.
2362673	3/1978	France	.
901969	7/1962	United Kingdom	.
1046065	10/1966	United Kingdom	.
2136321	4/1984	United Kingdom	.
2131327	6/1984	United Kingdom	.

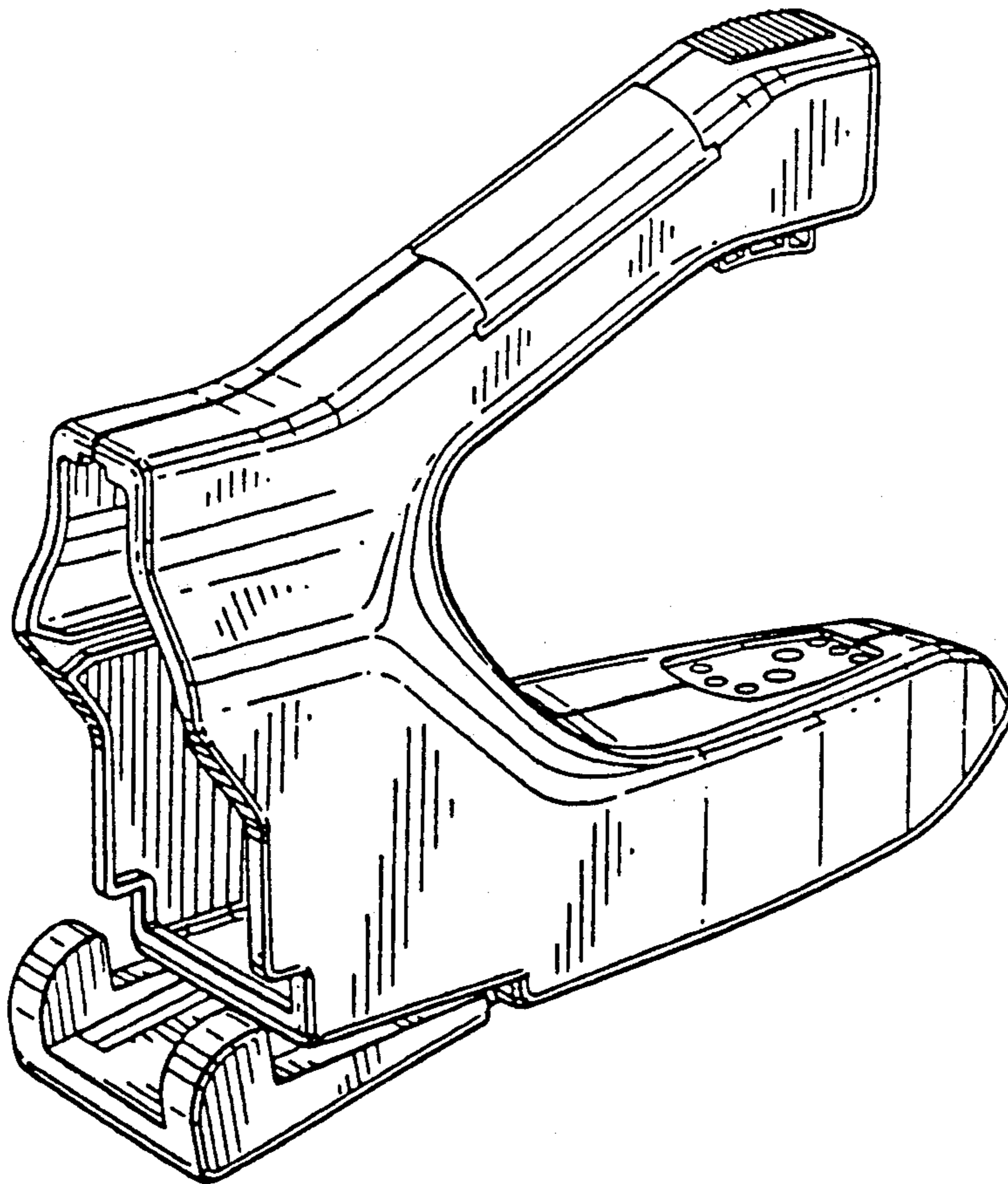
*Primary Examiner*—Susan J. Lucas  
*Assistant Examiner*—M. H. Tung  
*Attorney, Agent, or Firm*—Merchant, Gould, Smith, Edell, Welter & Schmidt

### [57] CLAIM

The ornamental design for a handle for an herbicide sprayer, as shown and described.

### DESCRIPTION

FIG. 1 is a top, side, front perspective view of a handle for an herbicide sprayer showing my new design;  
FIG. 2 is a top, opposite side, rear perspective view thereof, with the handle in an open position;  
FIG. 3 is a side elevational view thereof, on an enlarged scale;  
FIG. 4 is a bottom plan view thereof, on an enlarged scale; and,  
FIG. 5 is a rear elevational view thereof, on an enlarged scale.



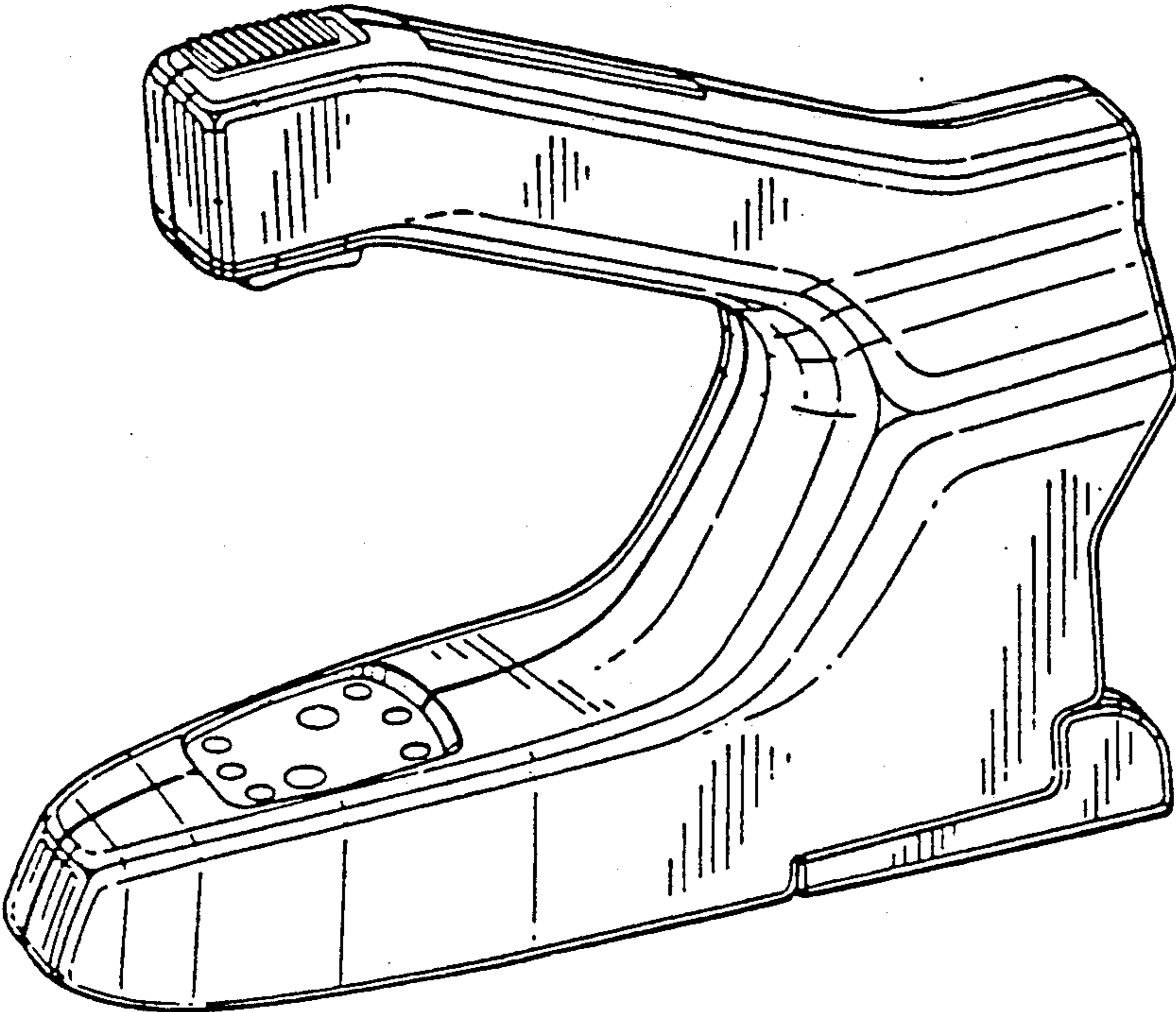


FIG. 1.

FIG. 2.

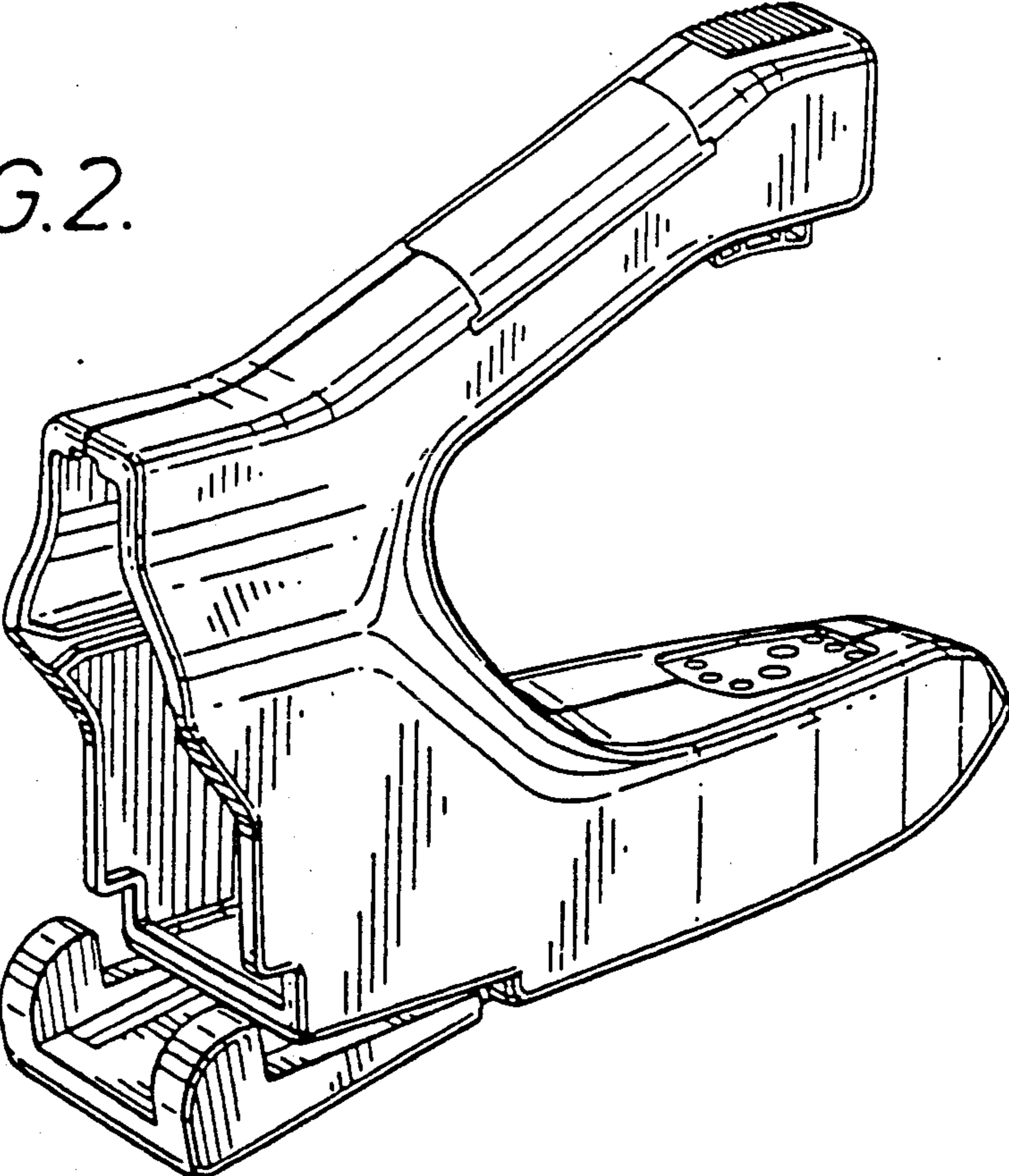


FIG.3.

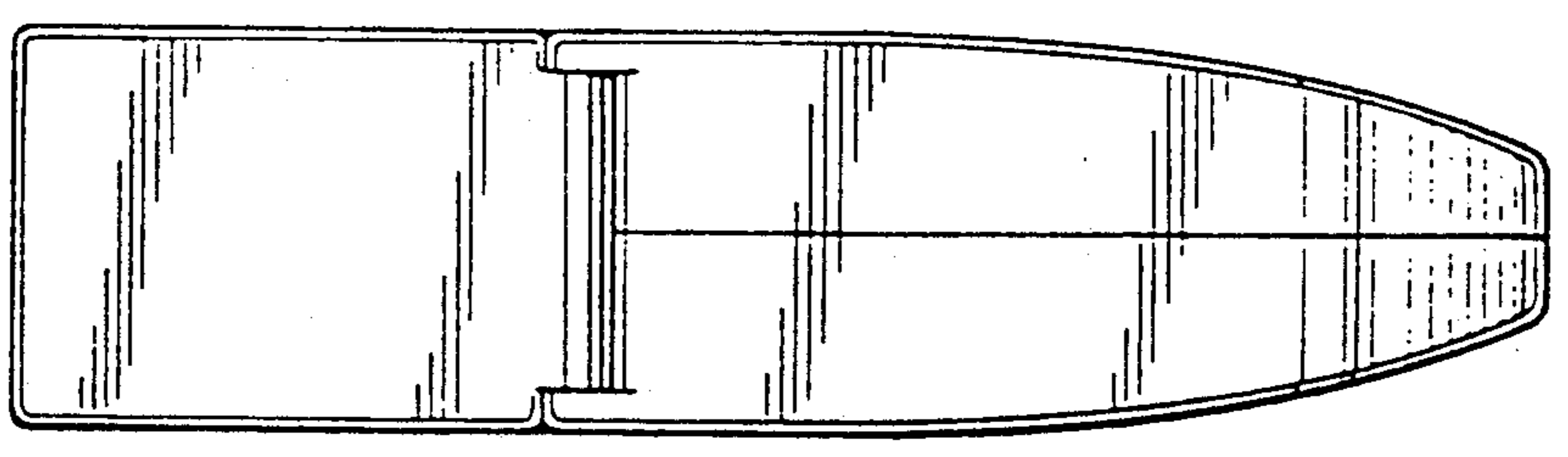
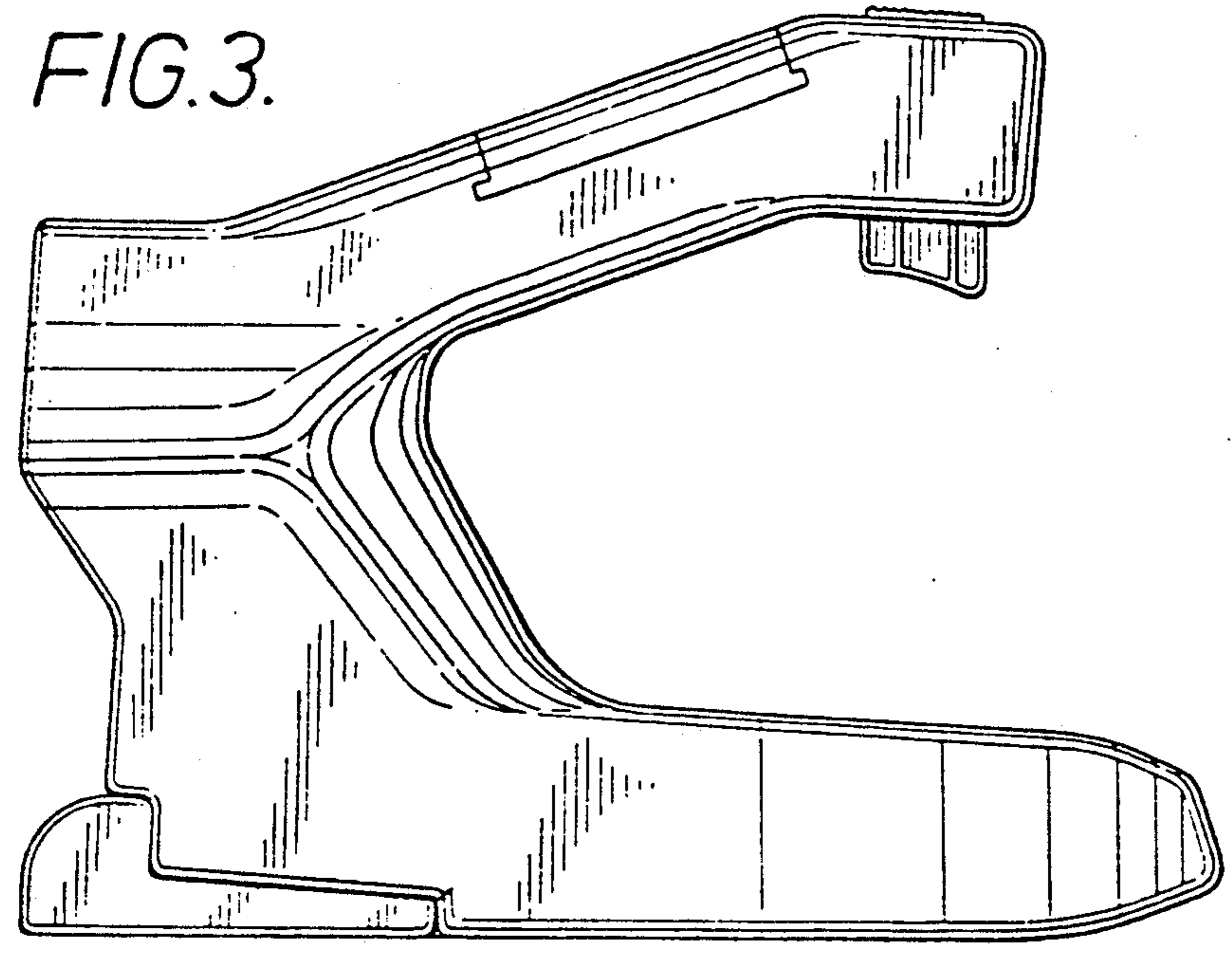


FIG.4.

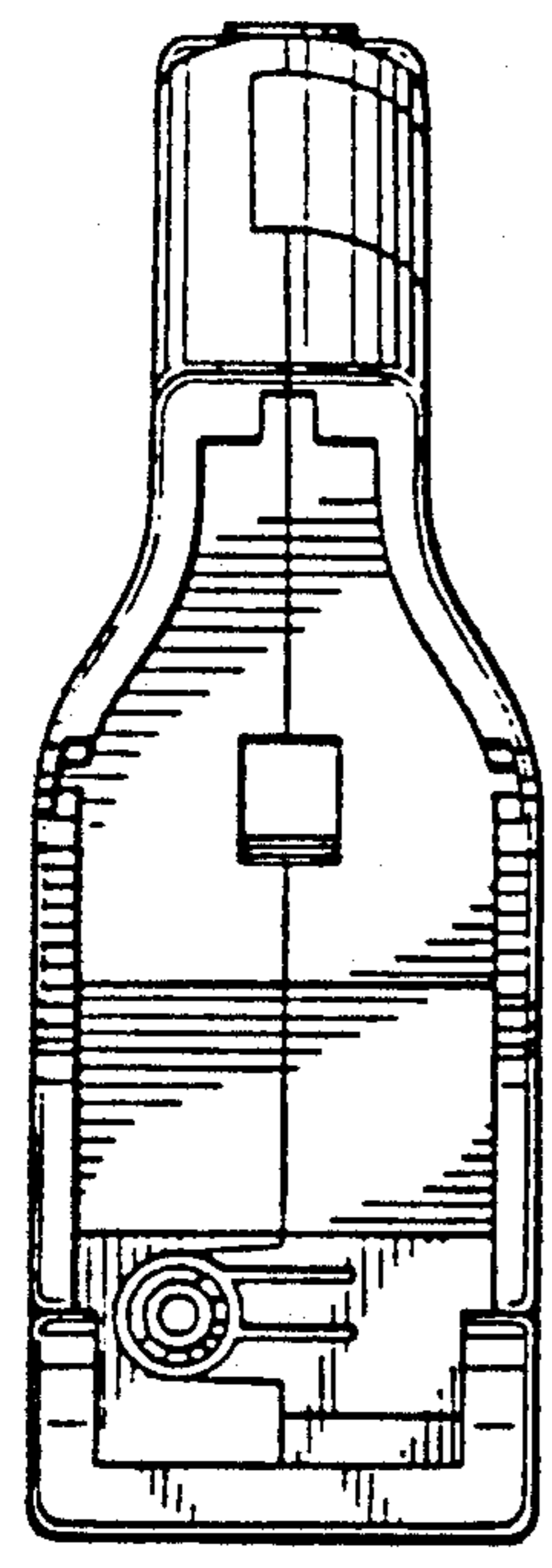


FIG.5.