



US00D325955S

# United States Patent [19]

Ali

[11] Patent Number: Des. 325,955

[45] Date of Patent: \*\* May 5, 1992

[54] HANDLE FOR AN HERBICIDE SPRAYER

[75] Inventor: Eren Ali, Bristol, United Kingdom

[73] Assignee: Nomix Manufacturing Company Limited, United Kingdom

[\*\*] Term: 14 Years

[21] Appl. No.: 403,712

[22] Filed: Sep. 6, 1989

[30] Foreign Application Priority Data

Mar. 7, 1989 [GB] United Kingdom ..... 1057665

[52] U.S. Cl. .... D23/225

[58] Field of Search ..... D23/213, 223-229; 239/530-532, 567-568, 592

[56] References Cited

U.S. PATENT DOCUMENTS

- D. 271,613 11/1983 Watkins ..... D23/225
- D. 282,274 1/1986 Buroff ..... D23/225
- 2,388,445 11/1945 Stewart .
- 3,184,113 5/1965 Curtis .
- 3,539,103 11/1970 Marsh .
- 4,083,497 4/1978 Rosenberger .
- 4,541,568 9/1985 Lichfield ..... 239/449 X
- 4,609,148 9/1986 Gill .
- 4,932,592 6/1990 Abbott et al. .... 239/530

FOREIGN PATENT DOCUMENTS

- 086030 8/1983 European Pat. Off. .
- 0110713 6/1984 European Pat. Off. .
- 2351709 12/1977 France .
- 2362673 3/1978 France .
- 120050 11/1958 New Zealand .
- 901969 7/1962 United Kingdom .
- 1046065 10/1966 United Kingdom .
- 2136321 4/1984 United Kingdom .
- 2131327 6/1984 United Kingdom .

Primary Examiner—Susan J. Lucas  
Assistant Examiner—M. H. Tung  
Attorney, Agent, or Firm—Merchant, Gould, Smith, Edell, Welter & Schmidt

[57] CLAIM

The ornamental design for a handle for an herbicide sprayer, as shown.

DESCRIPTION

FIG. 1 is a rear, top, side perspective view of a handle for an herbicide sprayer showing my new design; FIG. 2 is a front, bottom, opposite side perspective view thereof; FIG. 3 is an opposite side elevational view thereof; FIG. 4 is a bottom plan view thereof; and, FIG. 5 is a top plan view thereof.

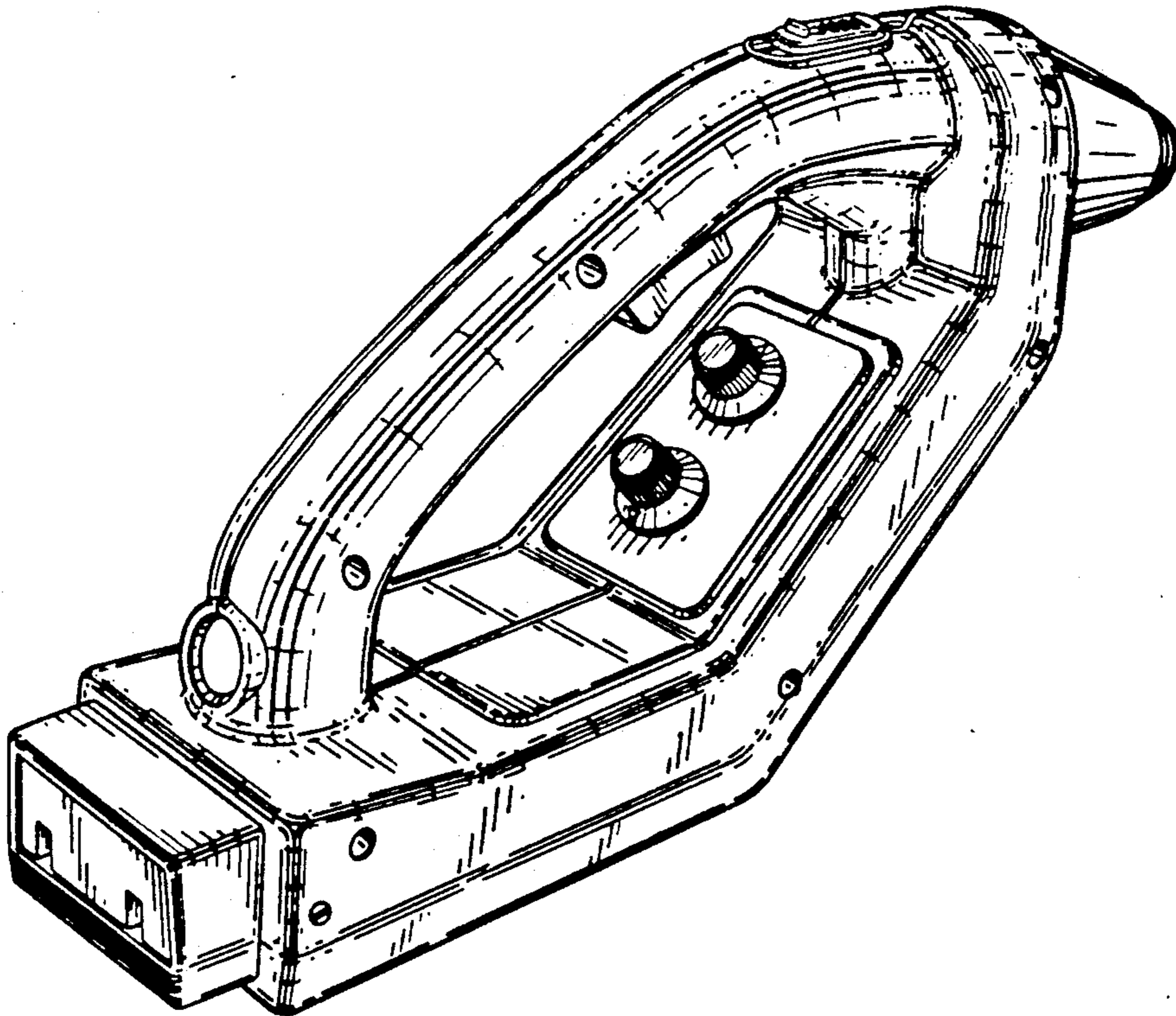
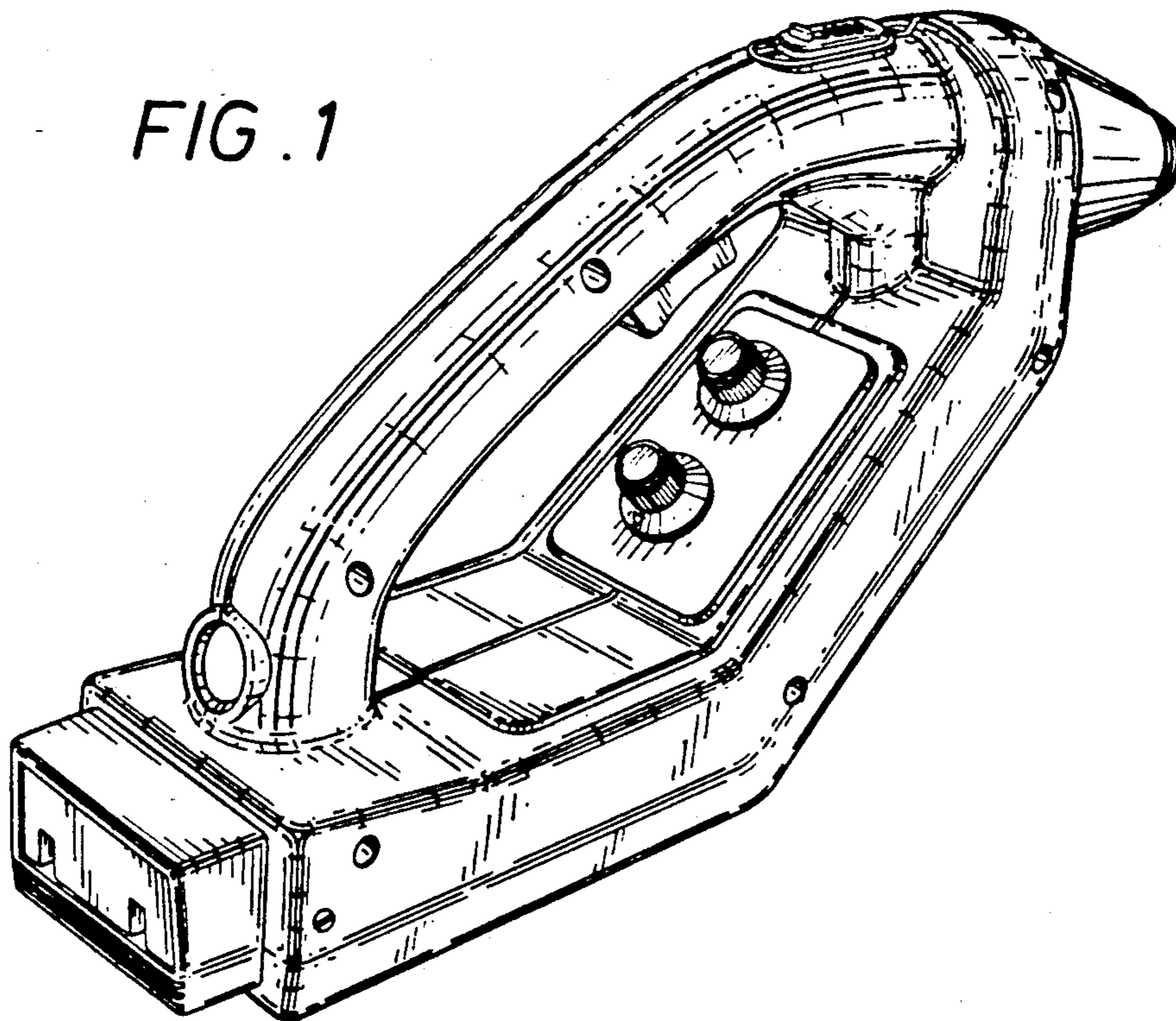


FIG. 1



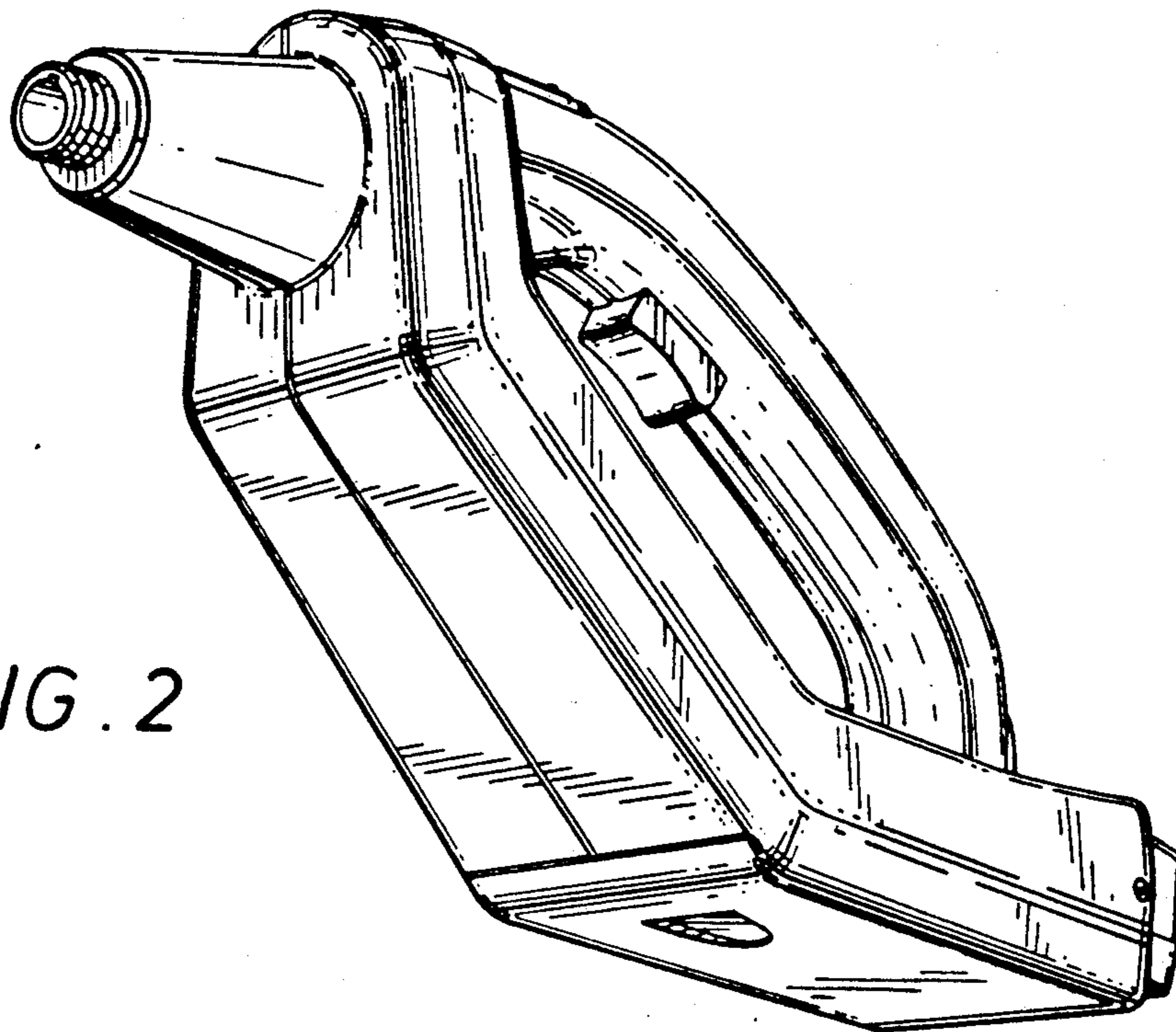


FIG. 2

FIG. 3

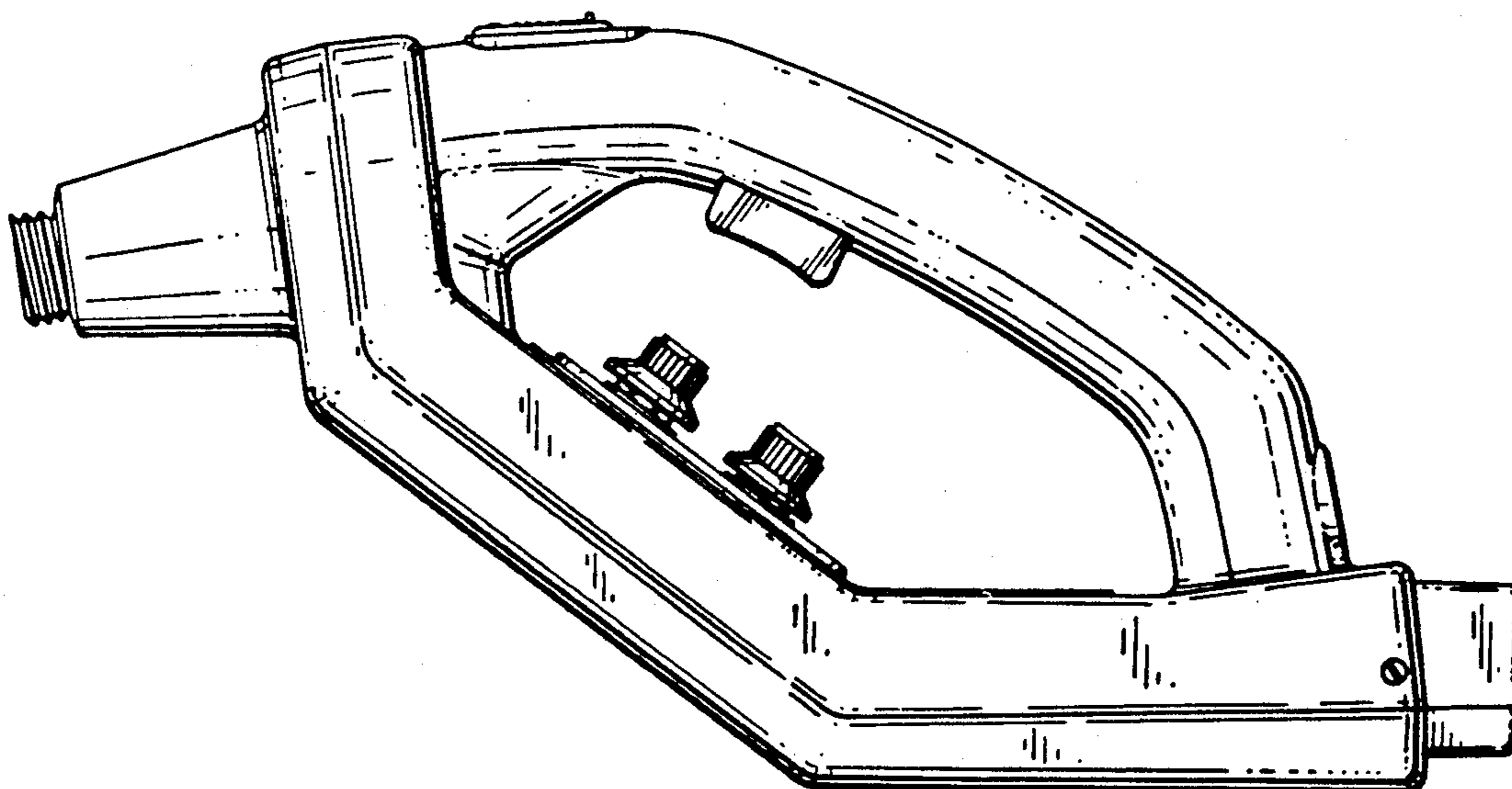


FIG. 4.

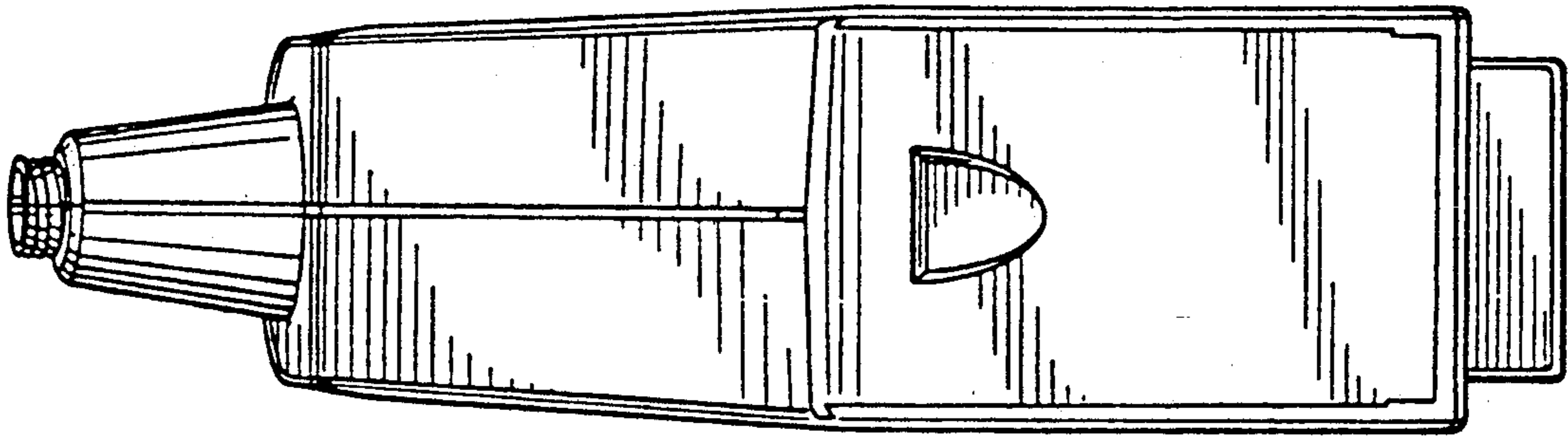


FIG. 5.

