



US00D325954S

United States Patent [19]

Lazzeroni, Sr. et al.

[11] Patent Number: **Des. 325,954**

[45] Date of Patent: **** May 5, 1992**

[54] **INSECT TRAP**

[75] Inventors: **Edward J. Lazzeroni, Sr.,**
Franksville; Edward J. Lazzeroni,
Jr., Racine; Timothy E. Zollers,
Milwaukee, all of Wis.

[73] Assignee: **S. C. Johnson & Son, Inc., Racine,**
Wis.

[**] Term: **14 Years**

[21] Appl. No.: **338,064**

[22] Filed: **Apr. 14, 1989**

[52] U.S. Cl. **D22/123**

[58] Field of Search **D22/119-123;**
43/112, 113, 119

[56] **References Cited**

U.S. PATENT DOCUMENTS

- D. 225,628 12/1972 Gilbert D22/123
- D. 246,531 11/1977 Gilbert D22/123

- D. 253,606 12/1979 Yavnieli D22/123
- D. 269,632 7/1983 Roberston et al. D22/123
- 2,835,071 5/1958 Partridge 43/112
- 3,346,988 10/1967 Pickering 43/112
- 3,998,000 12/1976 Gilbert 43/112

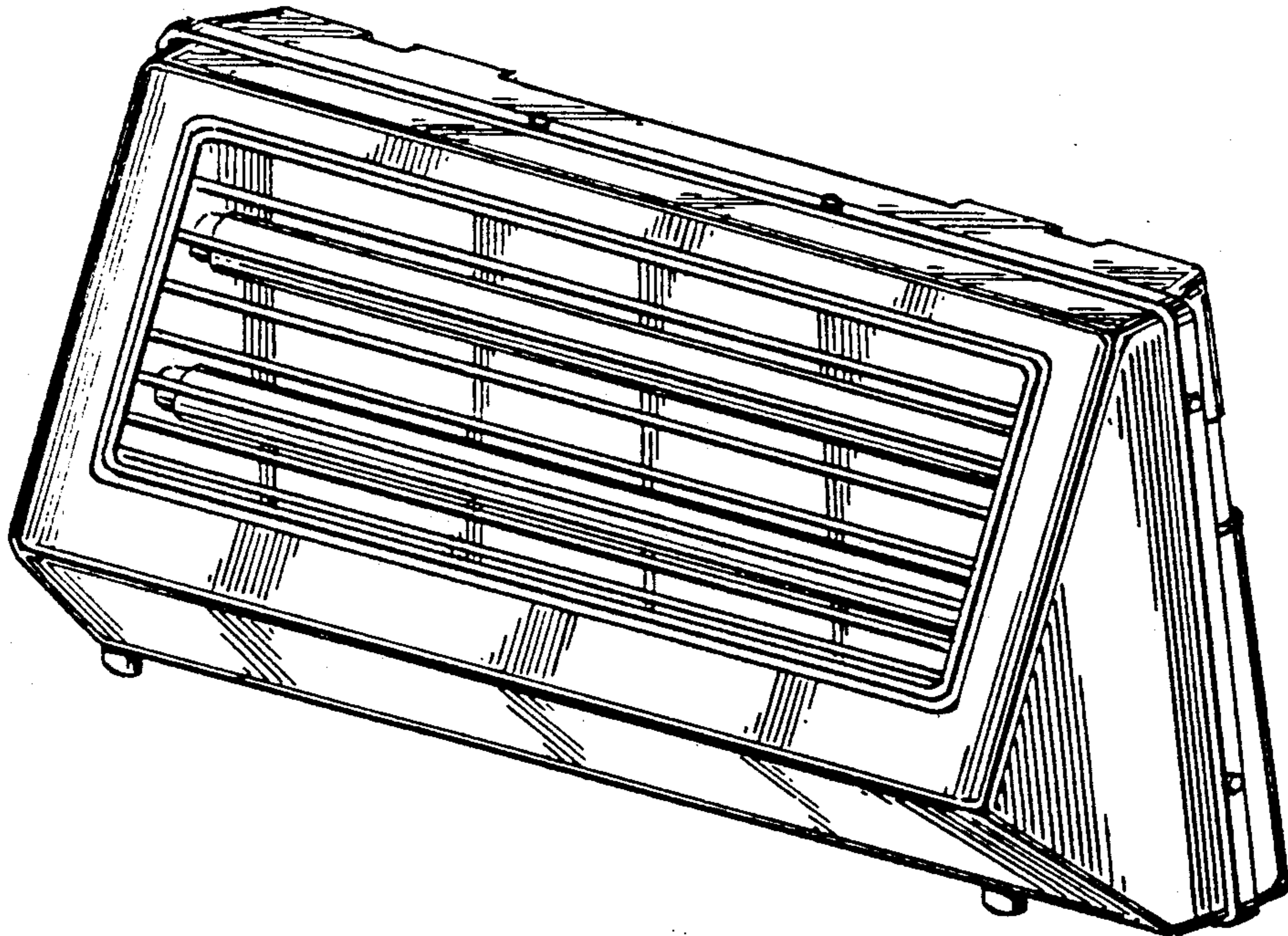
Primary Examiner—A. Hugo Word
Assistant Examiner—Doris V. Coles

[57] **CLAIM**

The ornamental design for an insect trap, as shown and described.

DESCRIPTION

FIG. 1 is a front perspective view of an insect trap, showing our new design;
FIG. 2 is a rear perspective view thereof;
FIG. 3 is a top plan view thereof;
FIG. 4 is a front elevational view thereof;
FIG. 5 is a bottom plan view thereof;
FIG. 6 is a rear elevational view thereof;
FIG. 7 is a right side elevational view thereof; and,
FIG. 8 is a left side elevational view thereof.



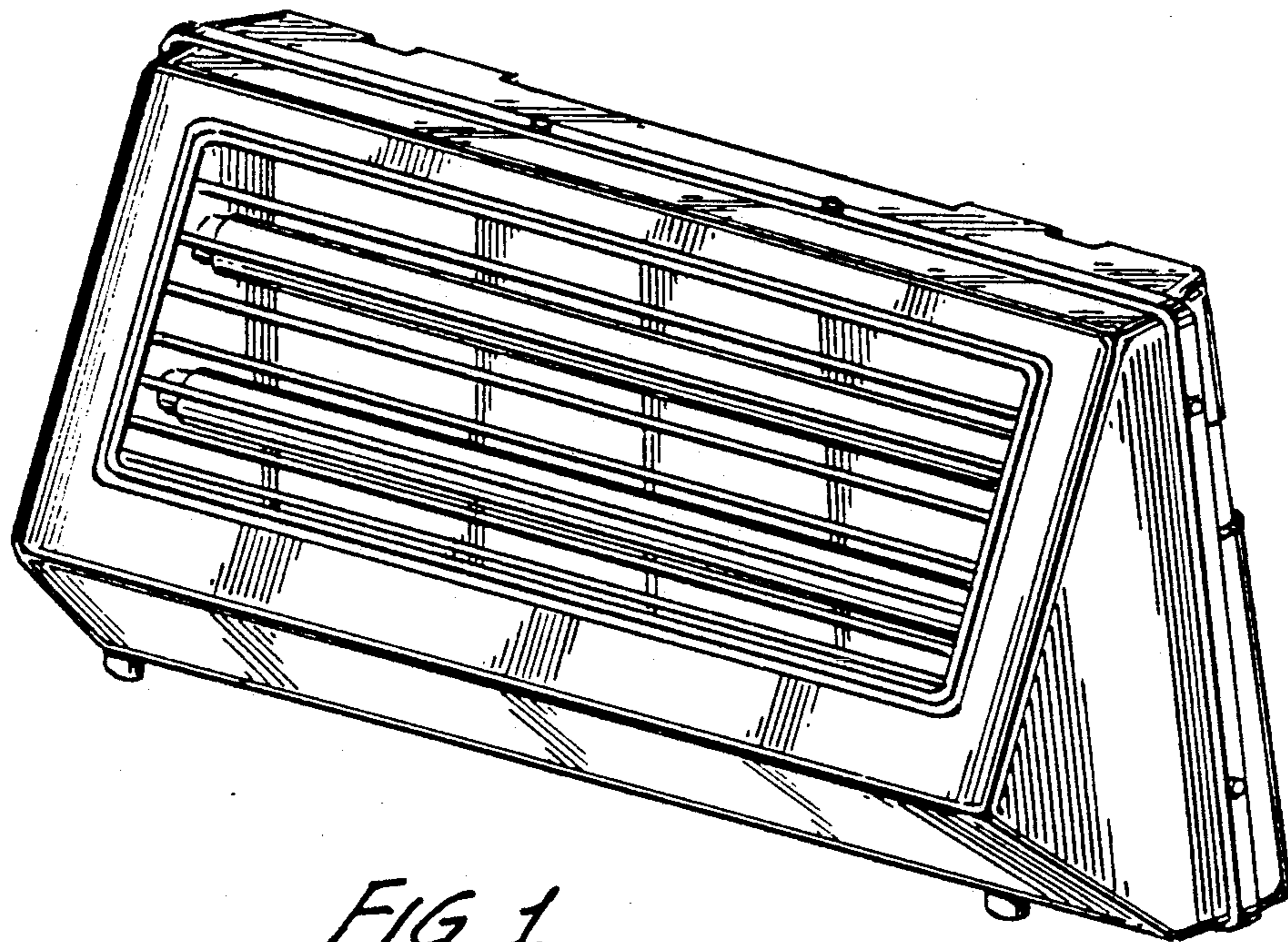


FIG. 1

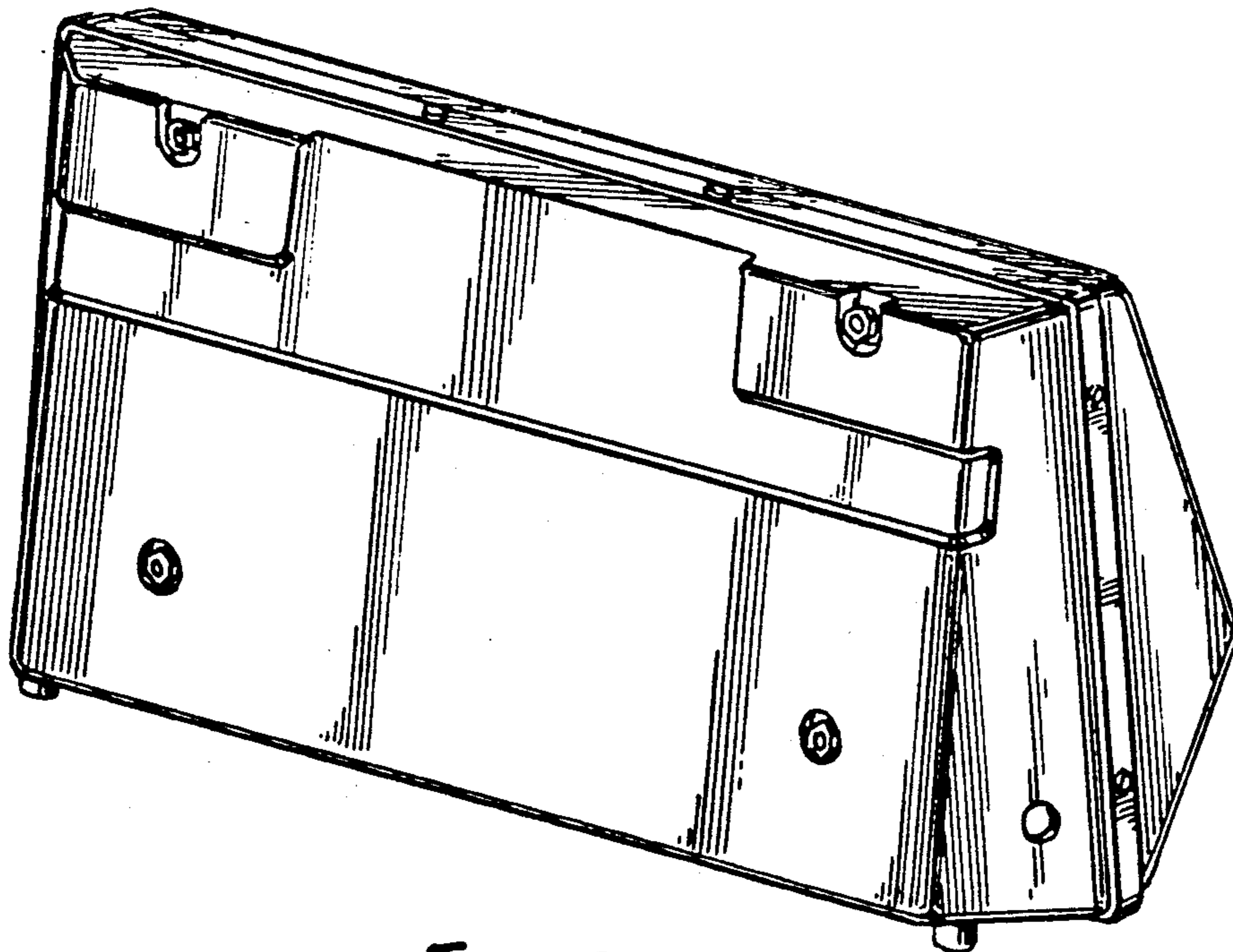


FIG. 2

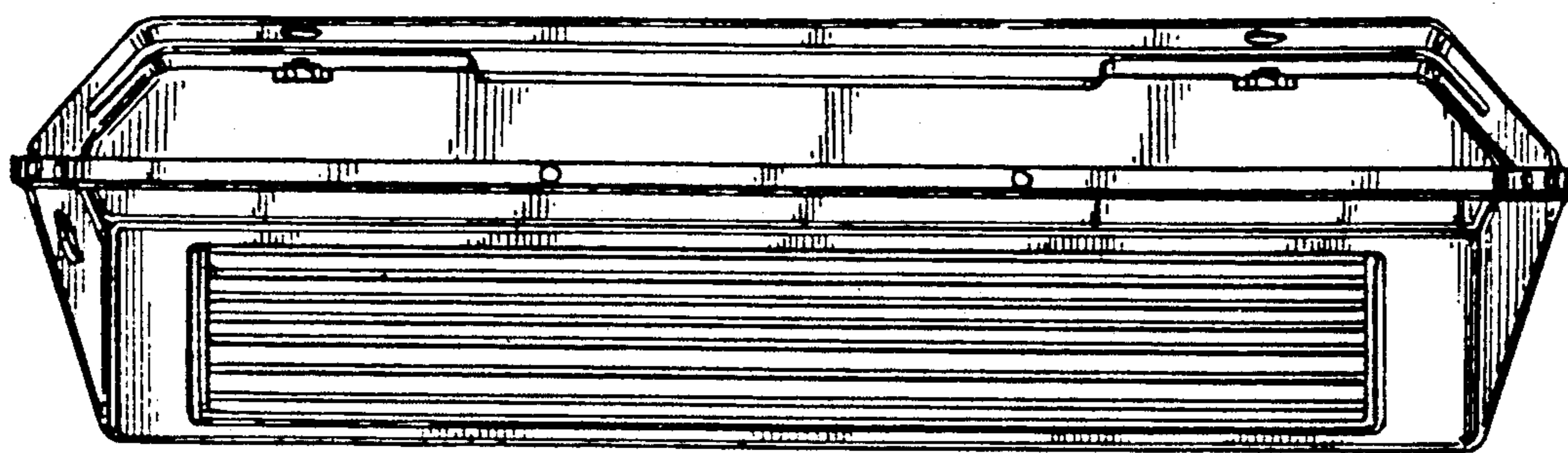


FIG. 3

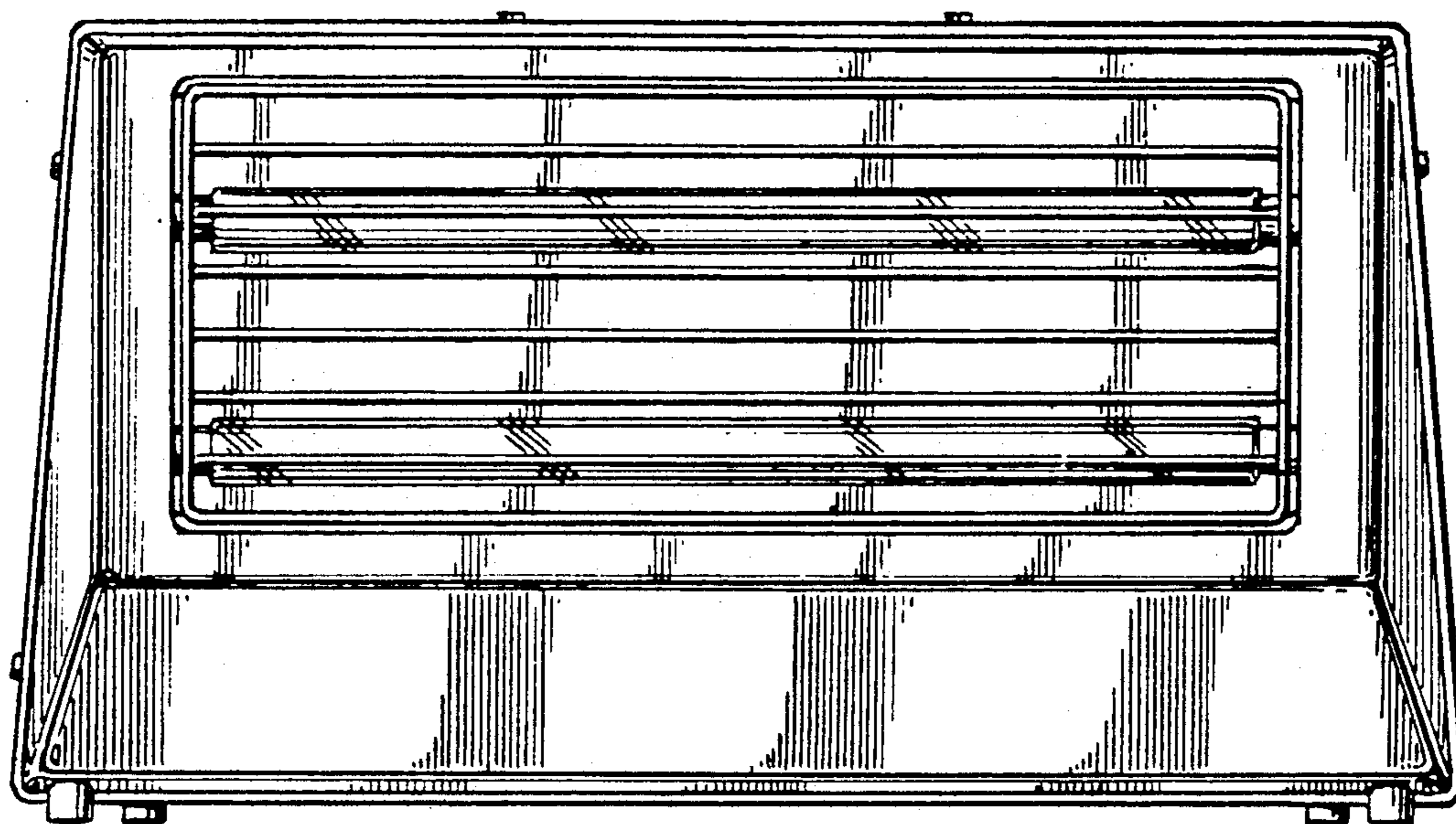


FIG. 4

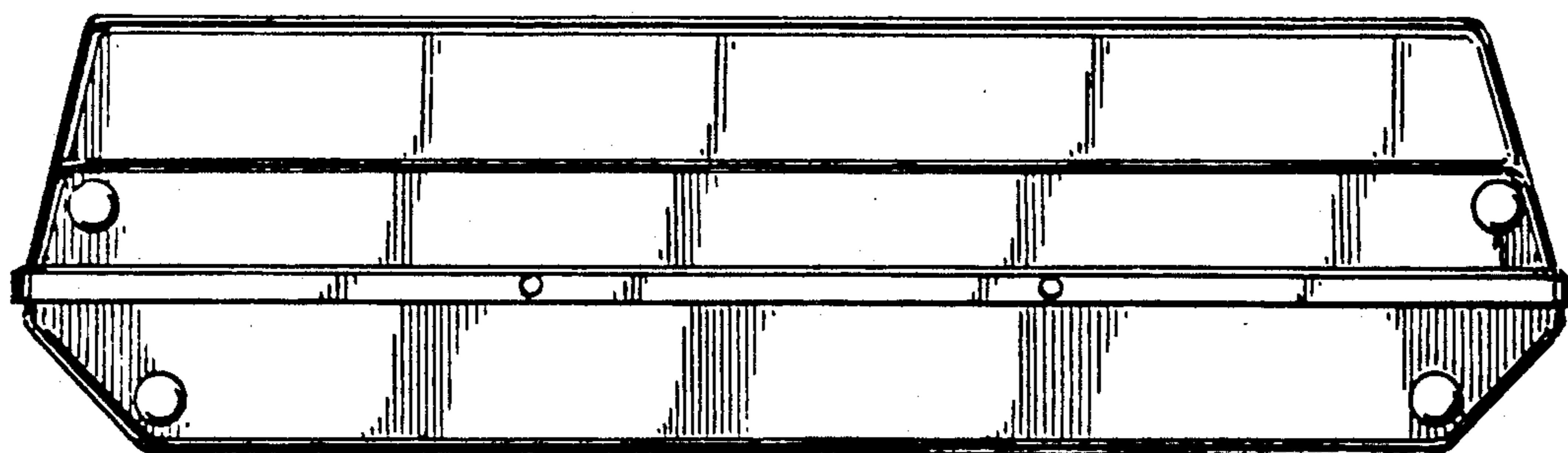


FIG. 5

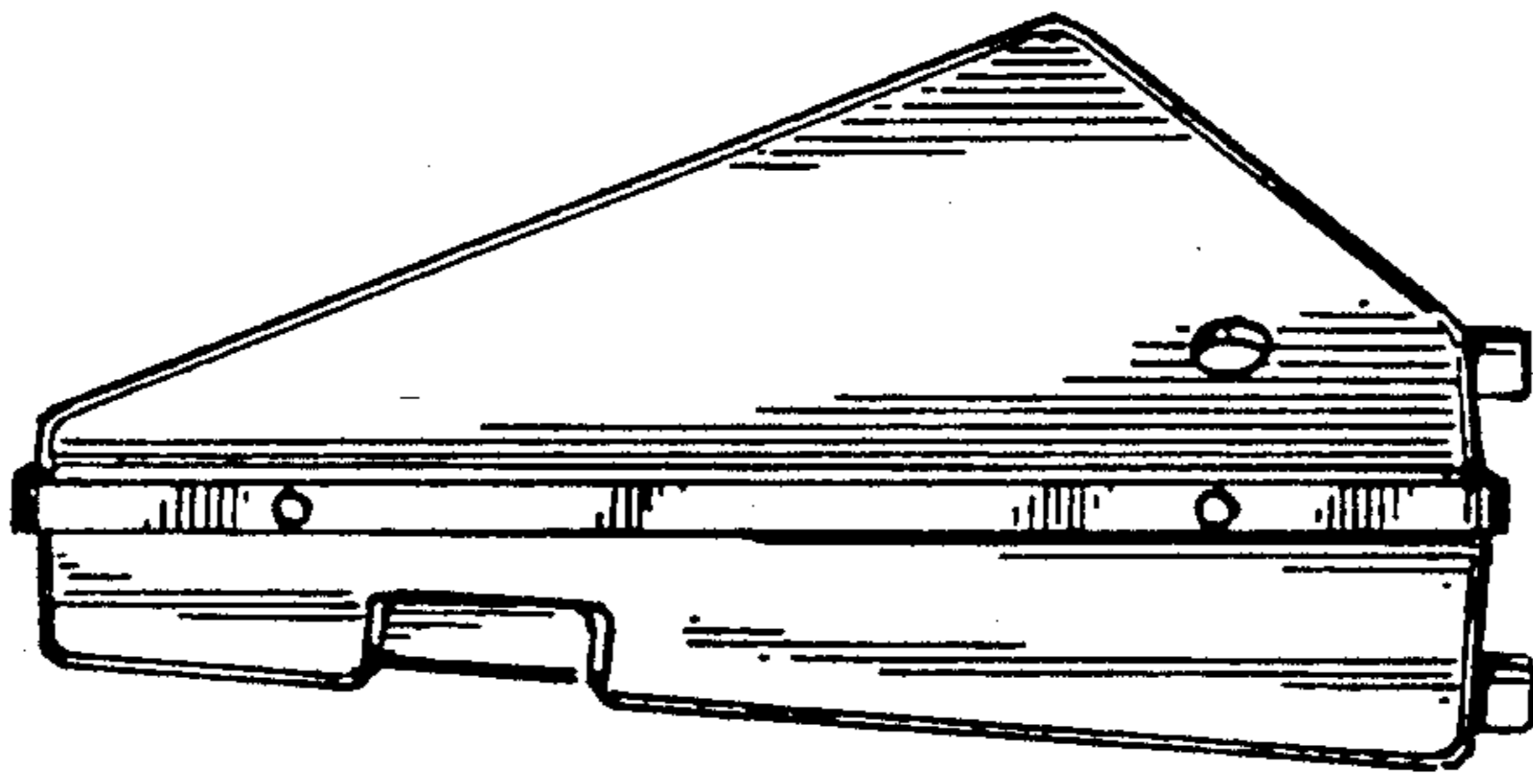


FIG. 7

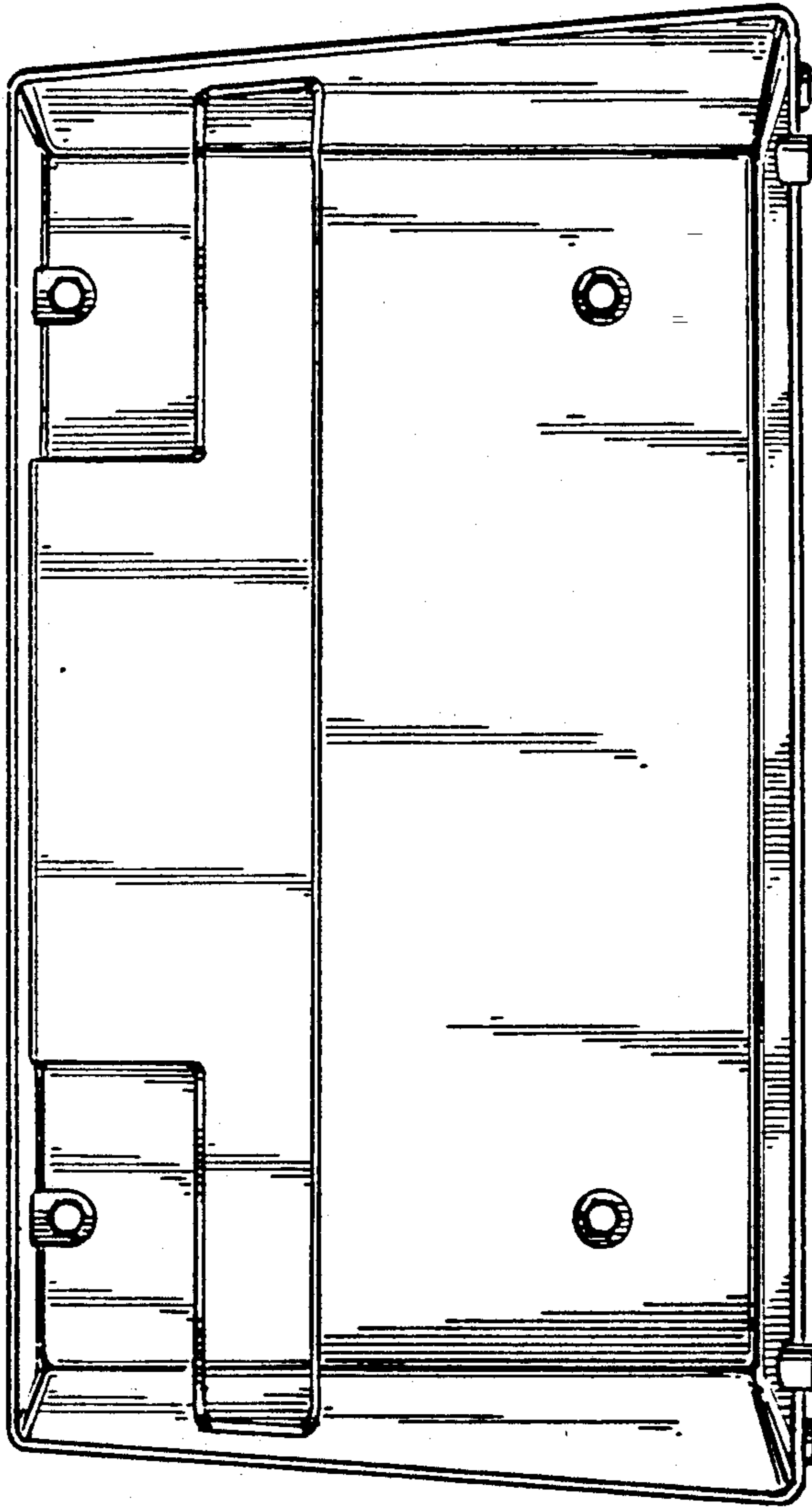


FIG. 6

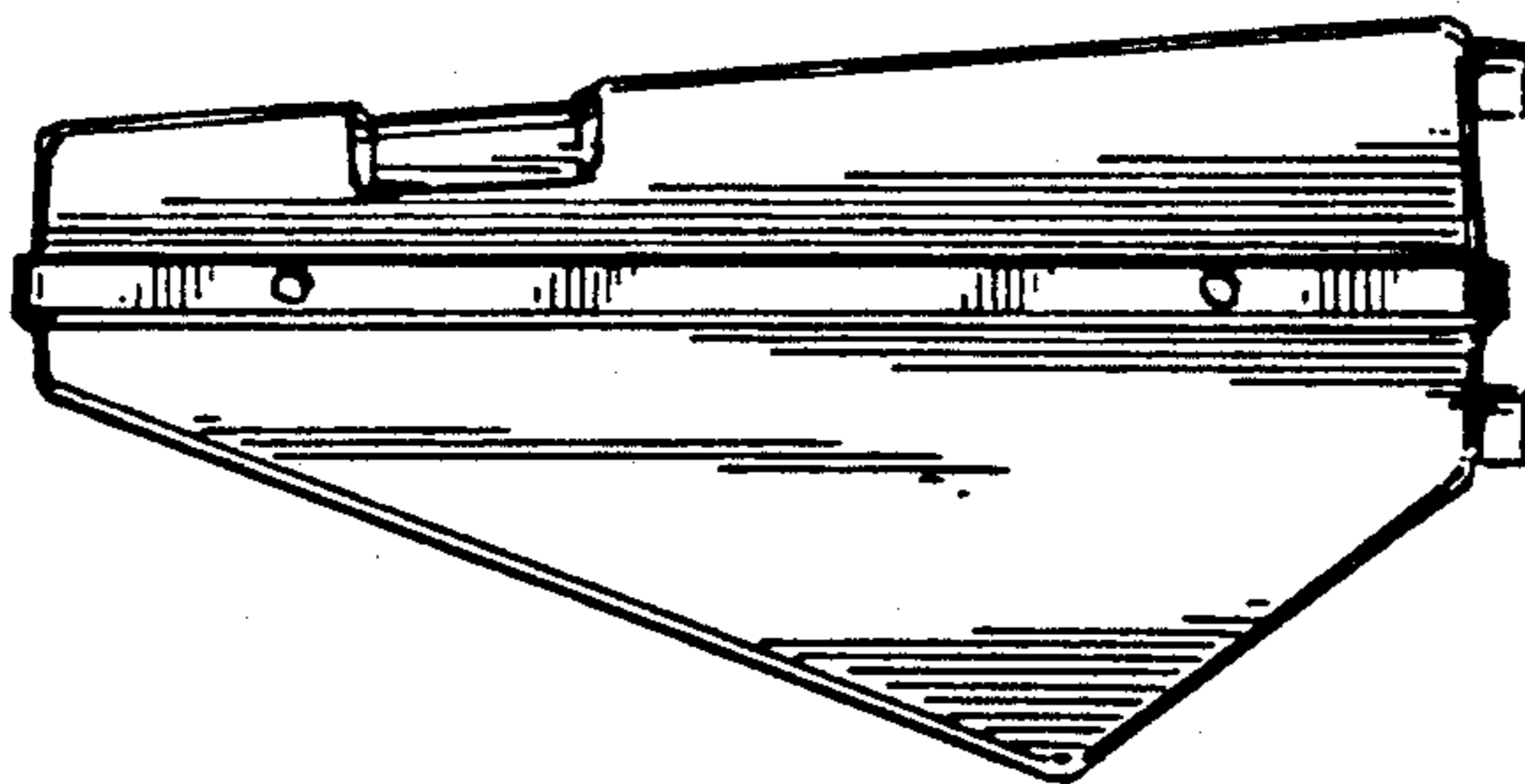


FIG. 8