



US00D325951S

United States Patent [19]
Johnson

[11] **Patent Number: Des. 325,951**

[45] **Date of Patent: ** May 5, 1992**

[54] **TRAMPOLINE EXERCISER**
[75] **Inventor: Ronald H. Johnson, Barberton, Ohio**
[73] **Assignee: Consumer Direct, Inc., Canton, Ohio**
[**] **Term: 14 Years**
[21] **Appl. No.: 500,260**
[22] **Filed: Mar. 27, 1990**
[52] **U.S. Cl. D21/235; D21/192**
[58] **Field of Search D21/191-199,
D21/235; 272/93, 65, 68, 70, 143, 69, 125, 138**

4,225,131 9/1980 Sidlinger et al. 272/109
4,477,070 10/1984 Appelbaum 272/70
4,489,933 12/1984 Fisher et al. 272/65
4,548,405 10/1985 Lee et al. 272/69
4,598,905 7/1986 Vrana 272/65
4,836,530 6/1989 Stanley, Jr. 272/65

Primary Examiner—Charles A. Rademaker
Attorney, Agent, or Firm—Michael Sand Co.

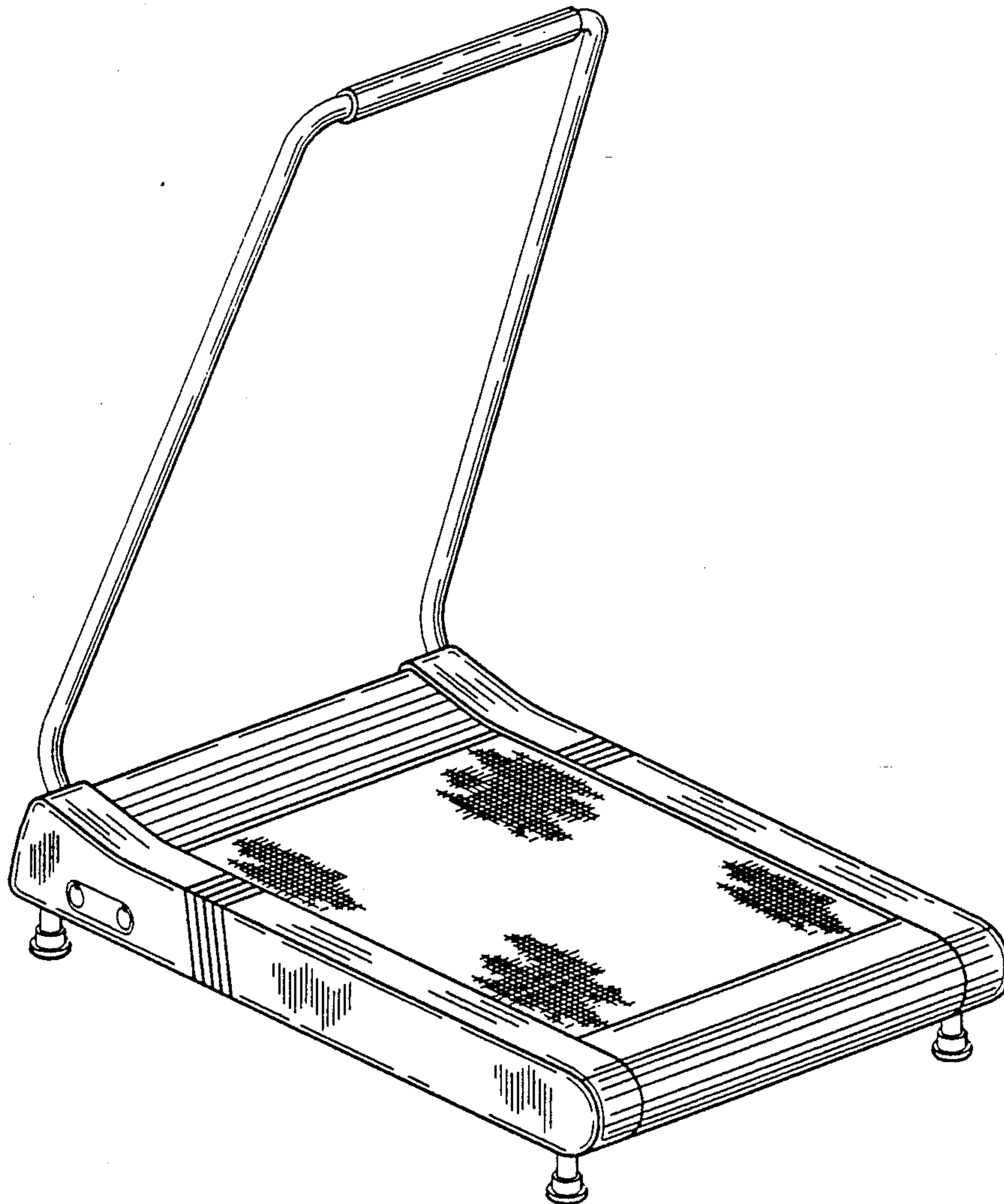
[57] **CLAIM**

The ornamental design for a trampoline exerciser, as shown and described.

DESCRIPTION

FIG. 1 is a perspective view of a trampoline exerciser showing my new design;
FIG. 2 is a front elevational view thereof;
FIG. 3 is a side elevational view thereof, the side opposite being substantially a mirror image;
FIG. 4 is a rear elevational view thereof;
FIG. 5 is a top plan view thereof; and,
FIG. 6 is a bottom plan view thereof.

[56] **References Cited**
U.S. PATENT DOCUMENTS
D. 207,541 5/1967 Hesen D21/192
D. 211,801 7/1968 Quinton D21/192
D. 287,909 1/1987 Weiss D21/235
D. 304,850 11/1989 Chambers D21/192
2,506,322 5/1950 Yushak D21/192
3,892,403 7/1975 Green 272/65
4,162,063 7/1979 Nissen et al. 267/73



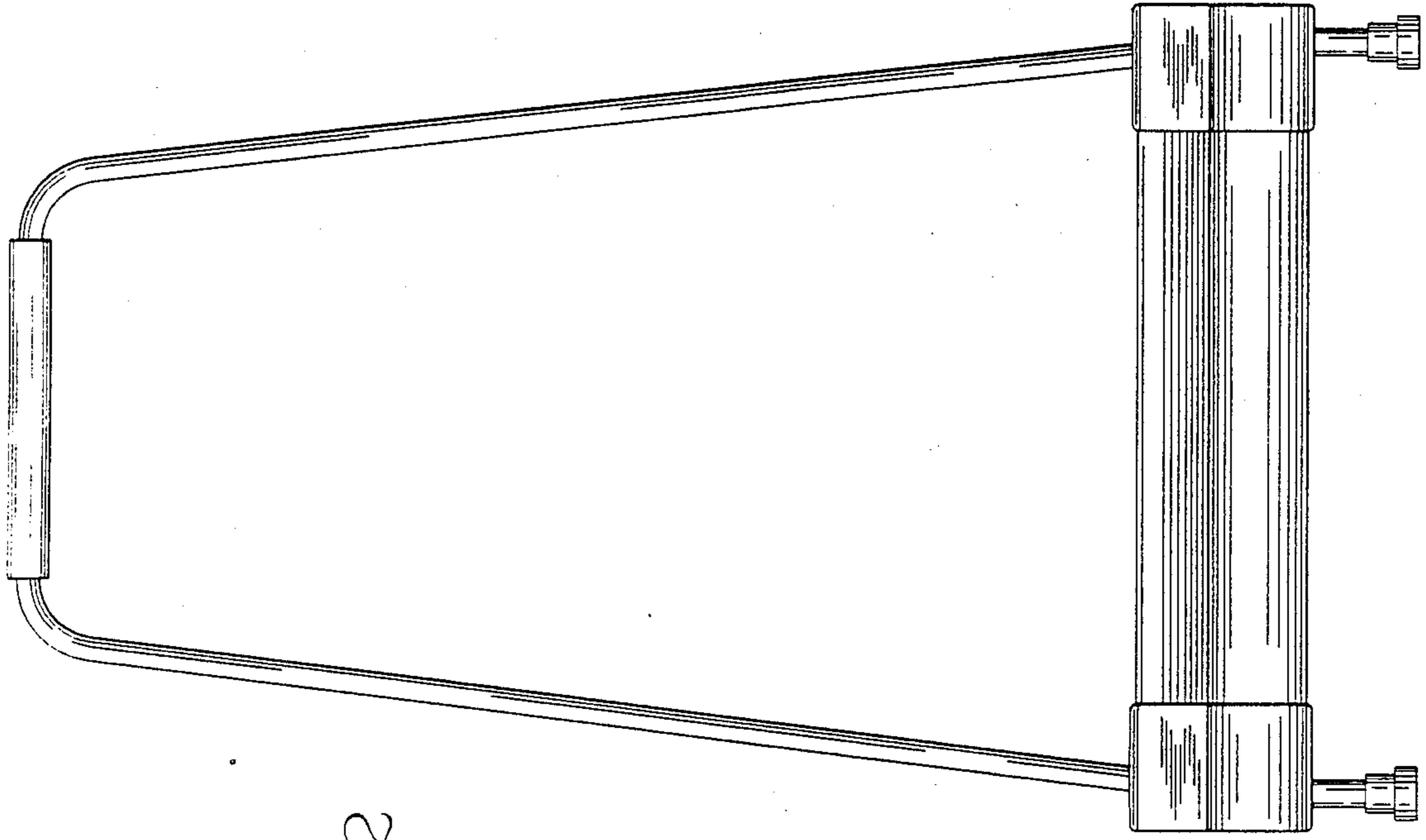


FIG. 2

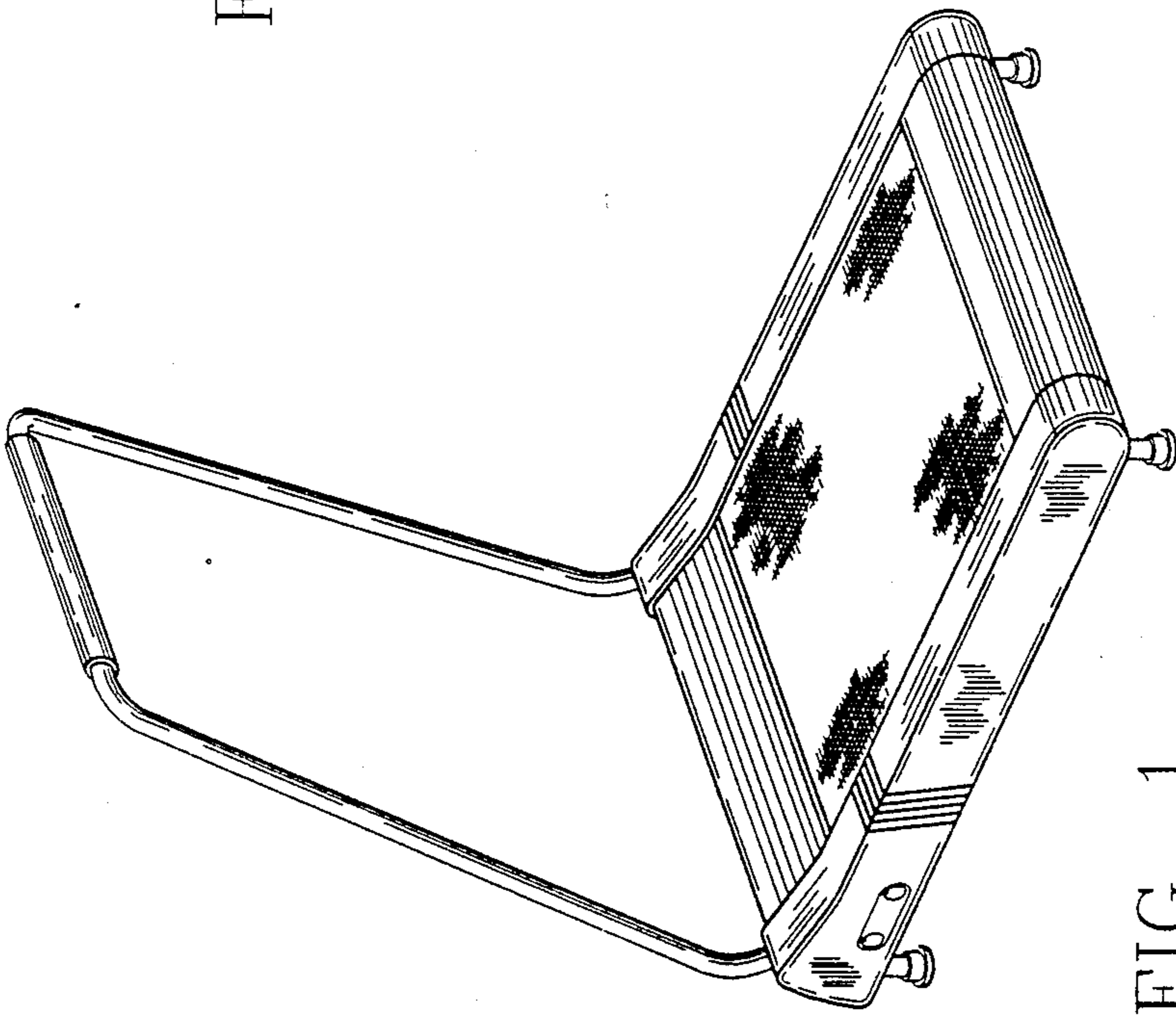


FIG. 1

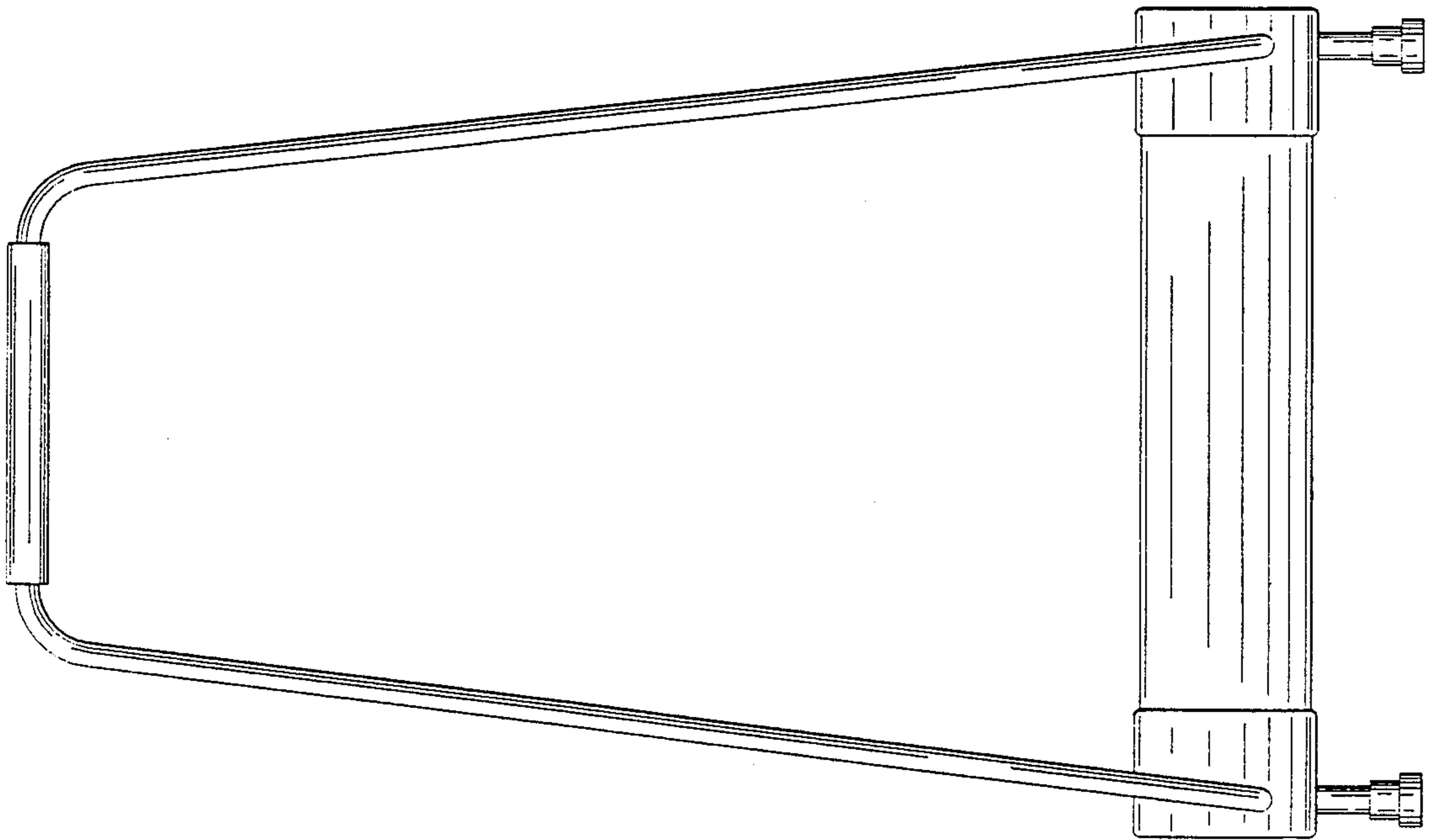


FIG. 4

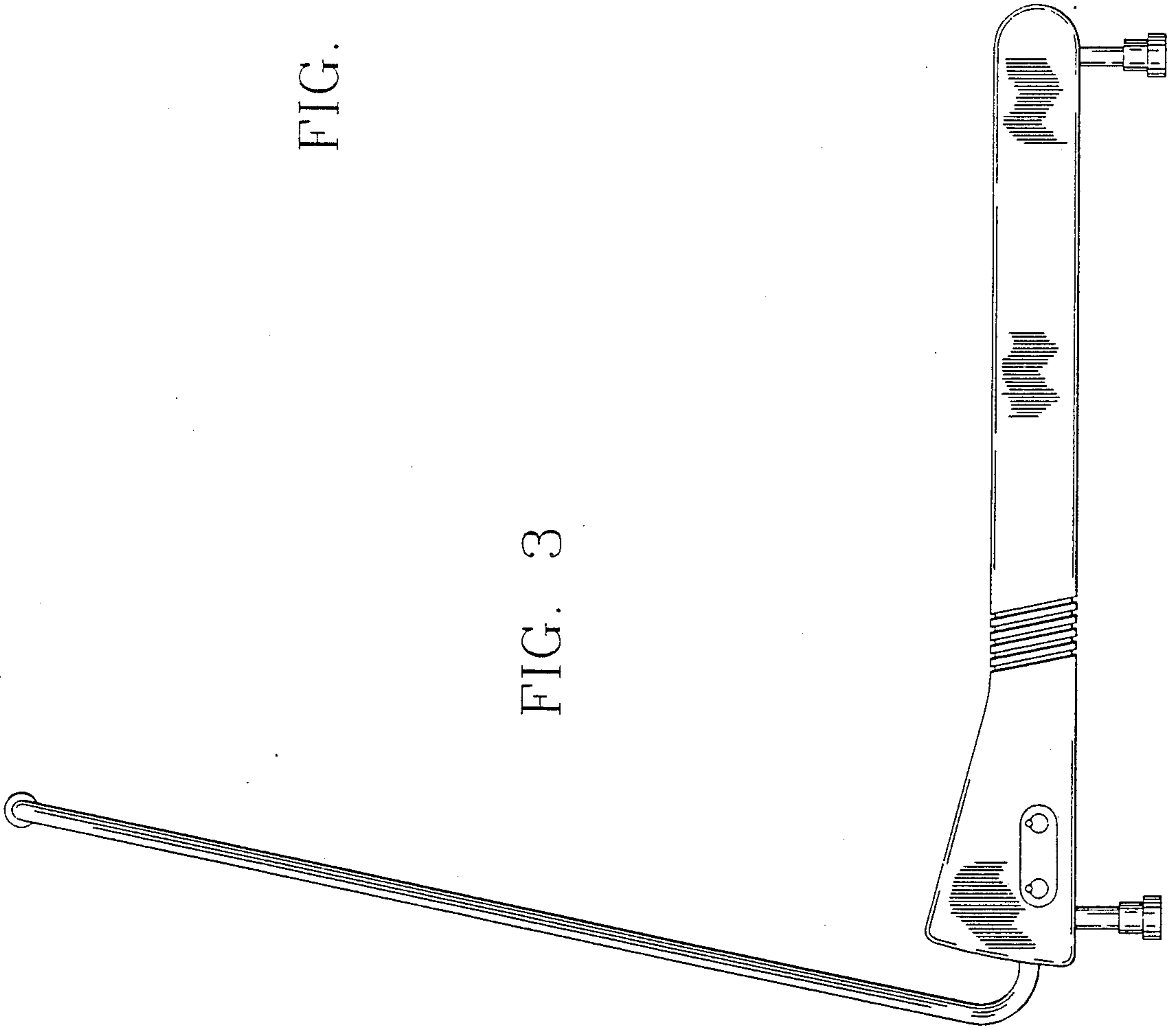


FIG. 3

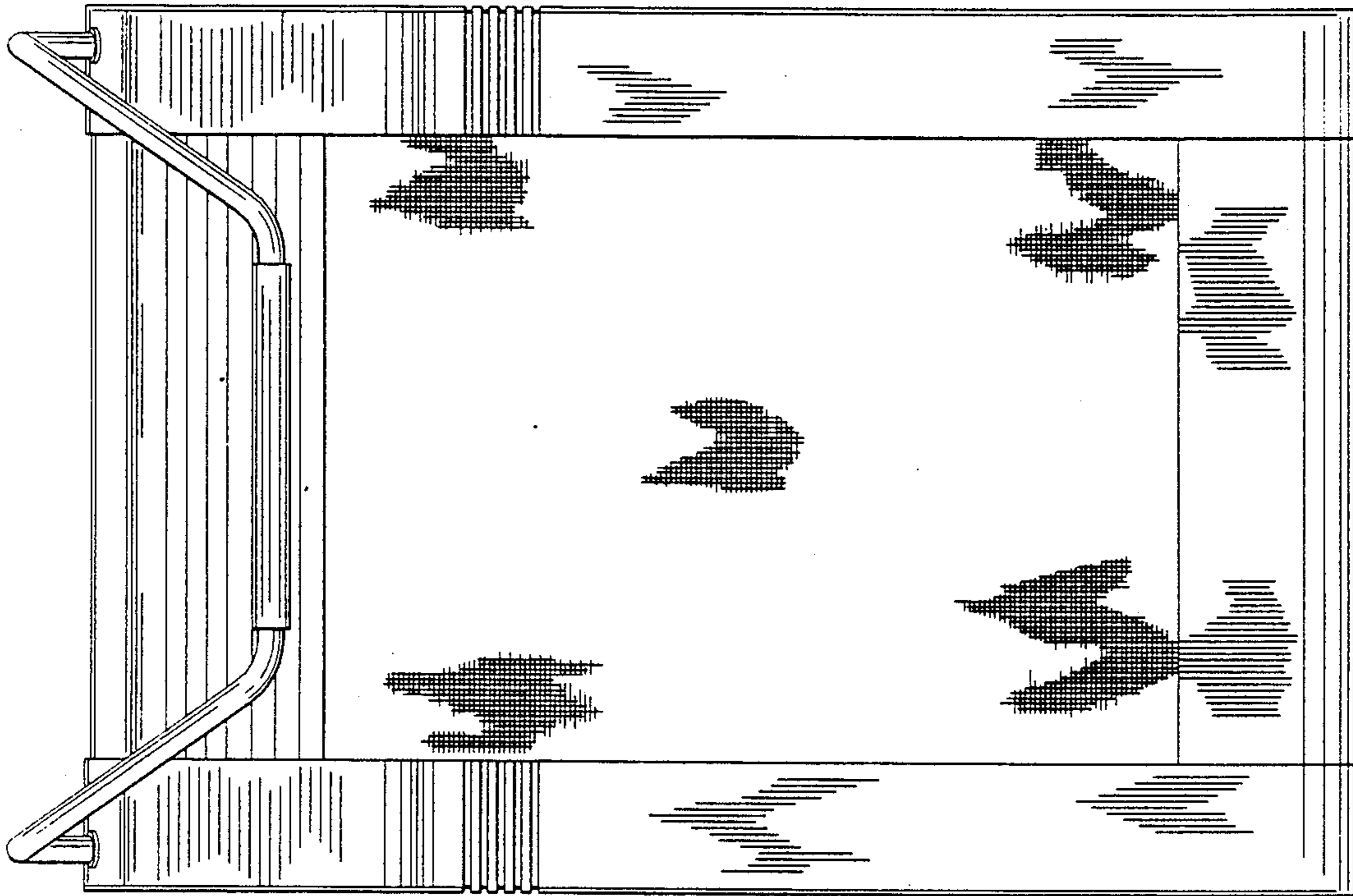


FIG. 5

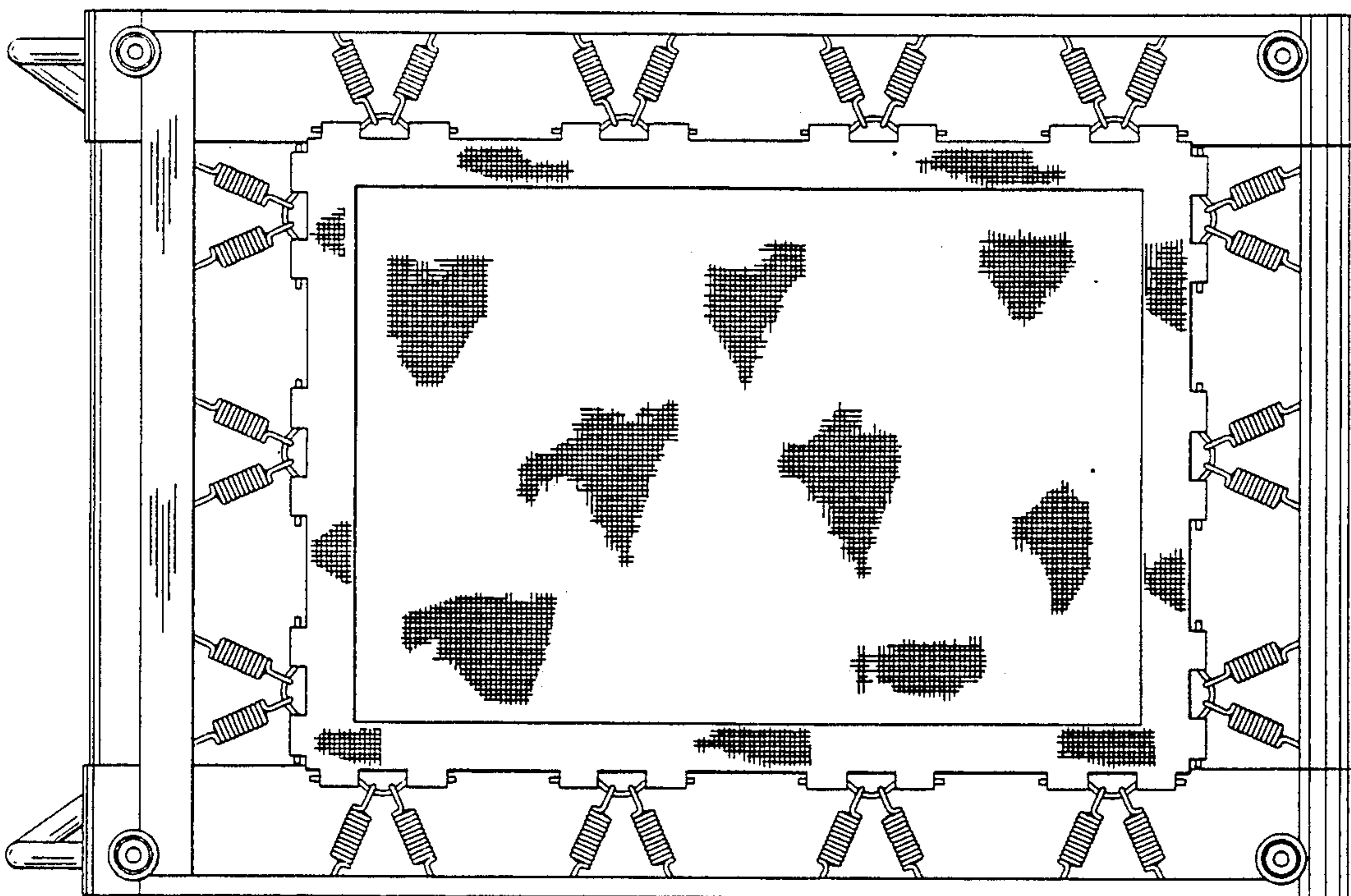


FIG. 6