



US00D325950S

United States Patent [19]

[11] Patent Number: **Des. 325,950**

Duran

[45] Date of Patent: **** May 5, 1992**

[54] **GOLF PUTTER HEAD**

[57] **CLAIM**

[75] Inventor: **Anthony P. Duran, Lancaster, N.Y.**

The ornamental design for a golf putter head, as shown and described.

[73] Assignee: **Dura Golf, Inc., Depew, N.Y.**

DESCRIPTION

[**] Term: **14 Years**

FIG. 1 is a top rear perspective view of a golf putter head showing my new design;

[21] Appl. No.: **484,661**

FIG. 2 is a rear elevational view thereof;

[22] Filed: **Feb. 26, 1990**

FIG. 3 is a front elevational view thereof;

[52] U.S. Cl. **D21/219**

FIG. 4 is a side elevational view taken from the right of FIG. 1;

[58] Field of Search **D21/214-220;**
273/164, 167-175

FIG. 5 is a side elevational view from the left of FIG. 1;

FIG. 6 is a bottom plan view thereof;

FIG. 7 is a top plan view thereof;

[56] **References Cited**

U.S. PATENT DOCUMENTS

D. 275,981	10/1964	Duclos	D21/219
D. 297,964	10/1988	Shearer	D21/219
D. 305,680	1/1990	Cook	D21/219
4,128,244	12/1978	Duclos	273/164
4,693,478	9/1987	Long	273/164

FIG. 8 is a top plan view of a second embodiment thereof;

FIG. 9 is a top plan view of a third embodiment thereof;

FIG. 10 is a top plan view of a fourth embodiment thereof;

FIG. 11 is a top plan view of a fifth embodiment thereof; and,

FIG. 12 is a top plan view of a sixth embodiment thereof.

Primary Examiner—Melvin B. Feifer

Attorney, Agent, or Firm—Joseph P. Gastel

The remaining views of the second through the sixth embodiment are the same as in FIGS. through 6.

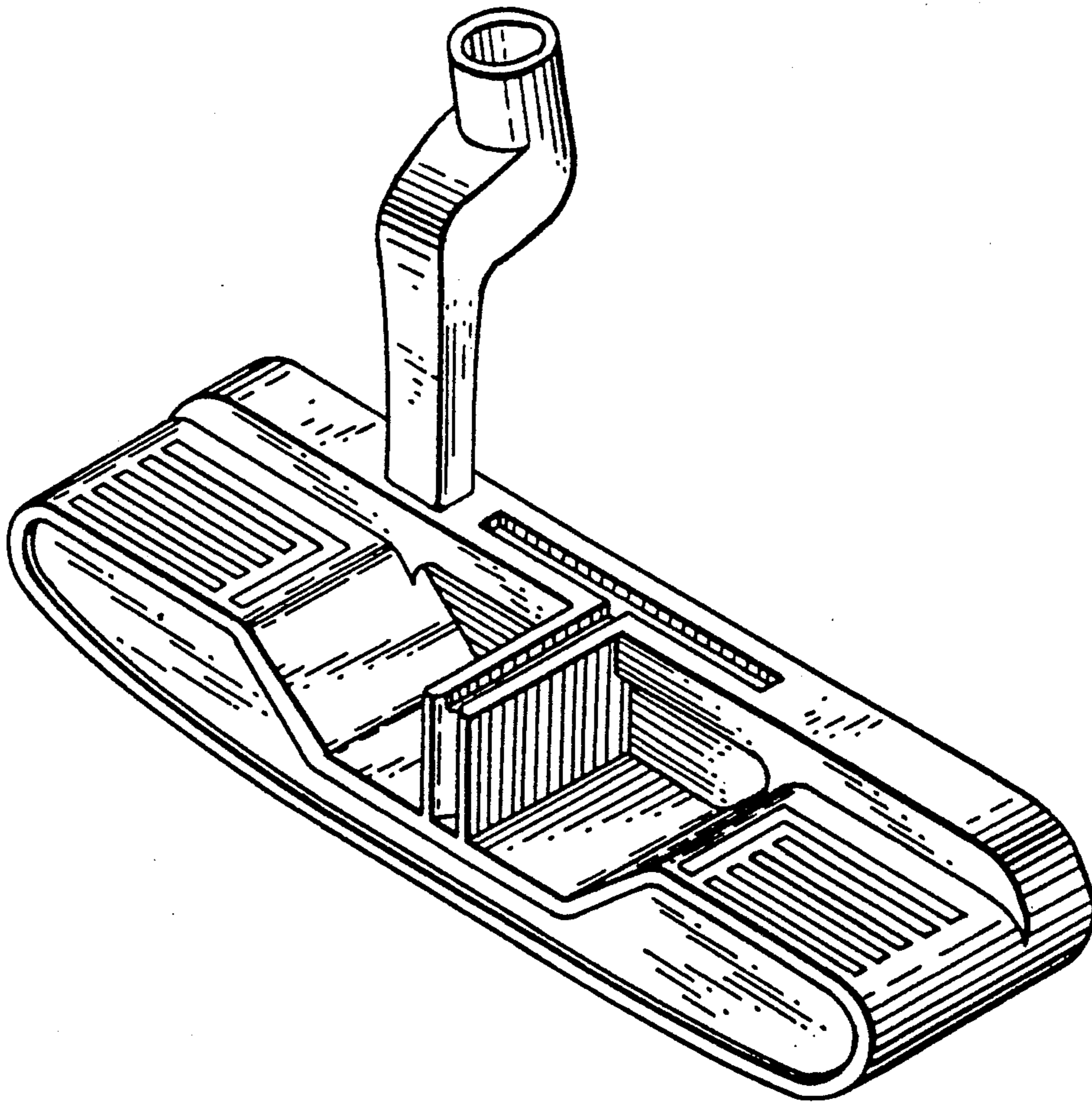


Fig. 1.

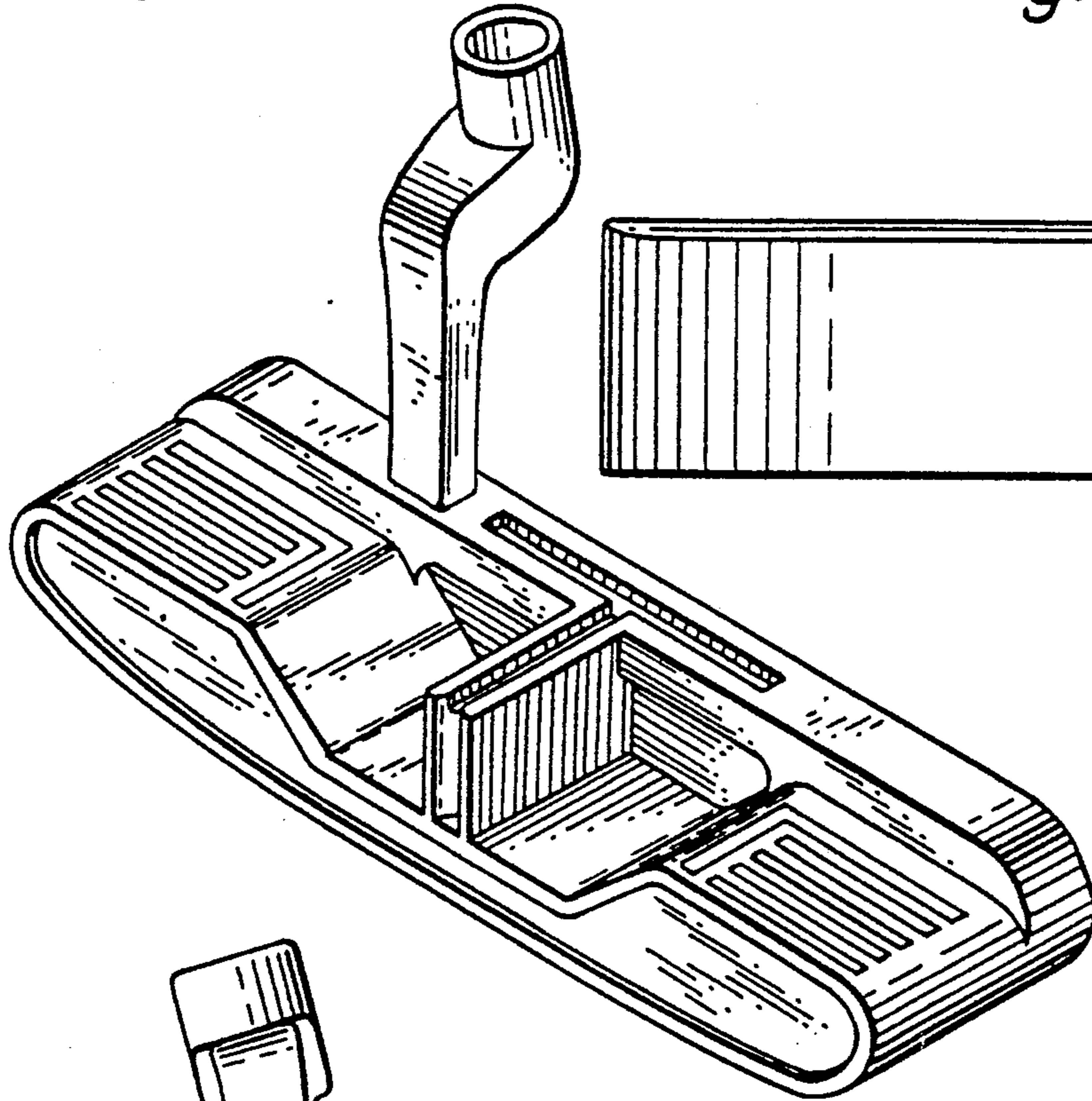


Fig. 6.

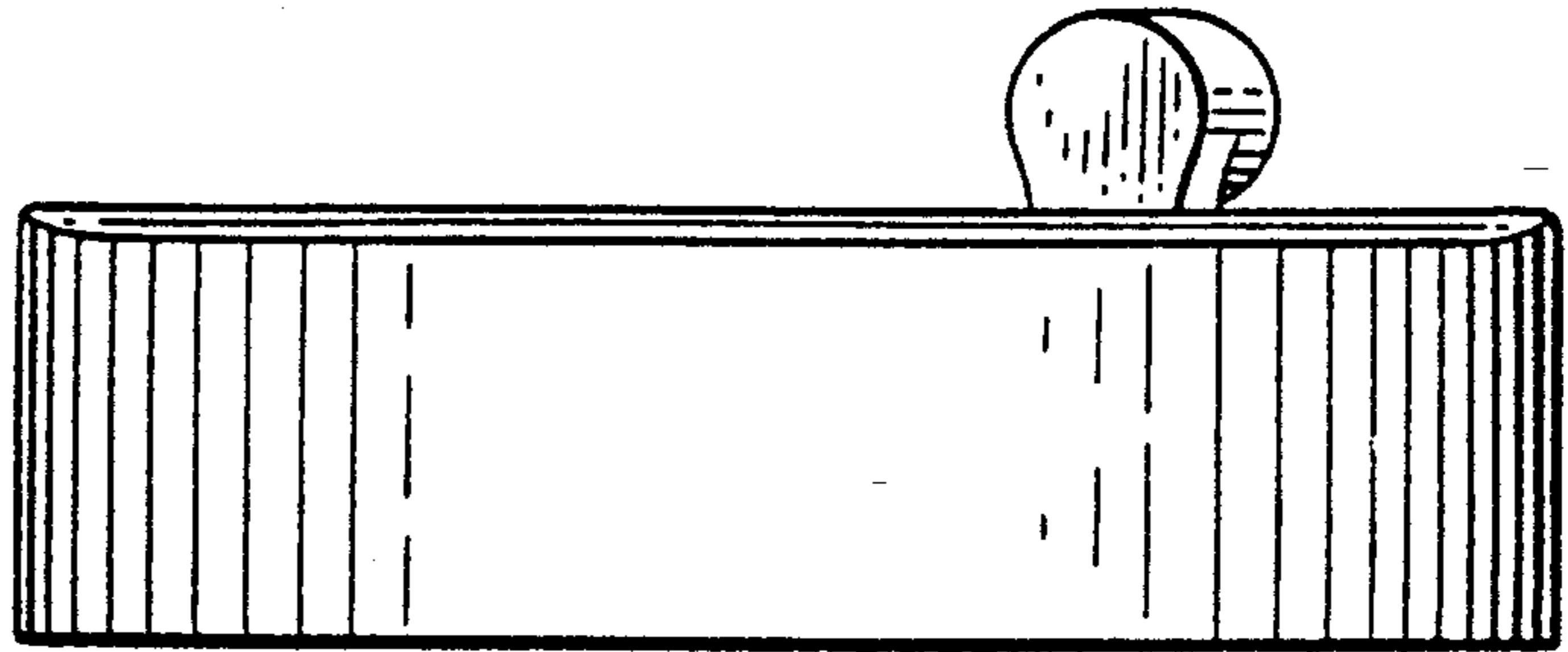


Fig. 4.

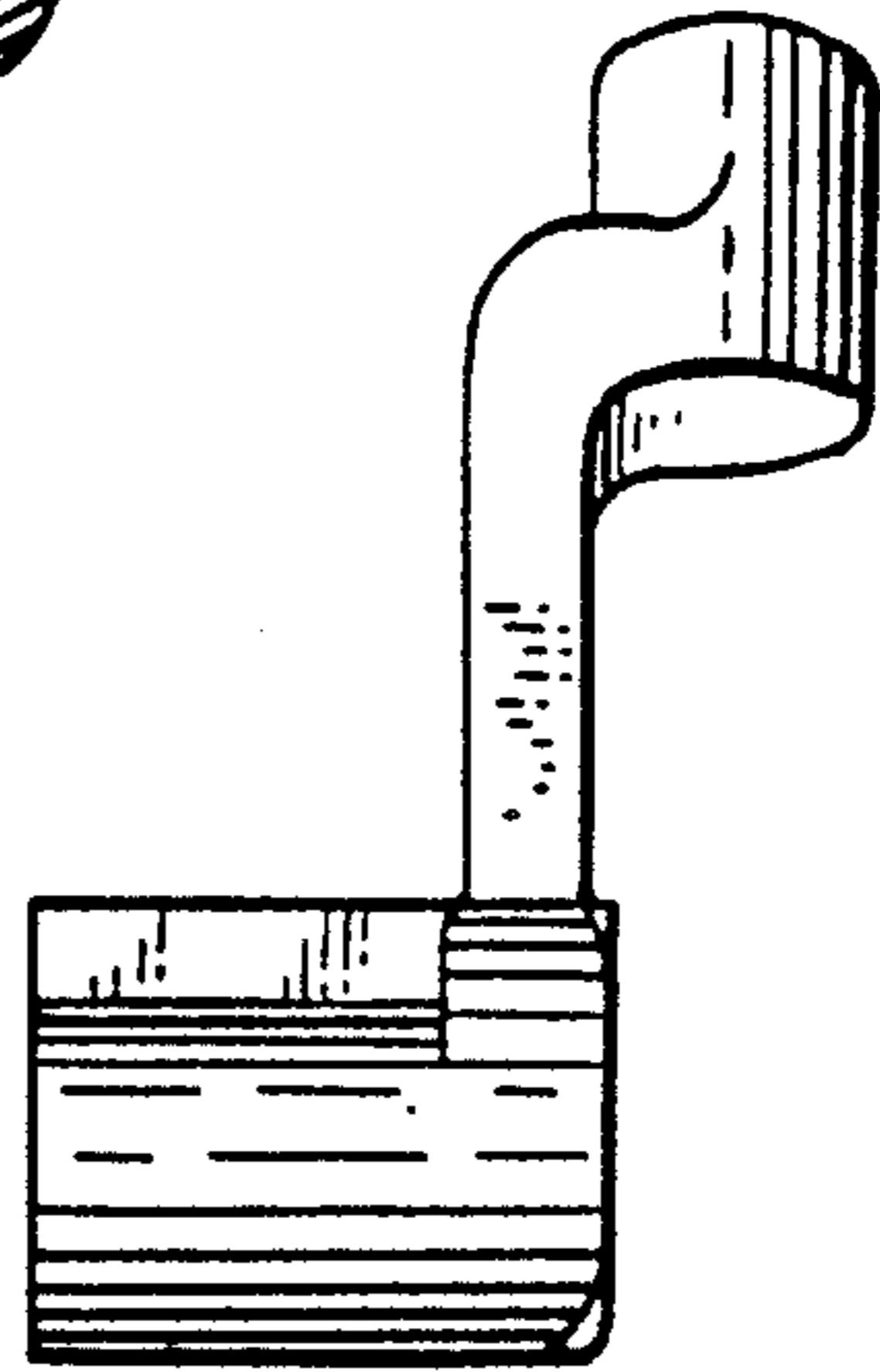
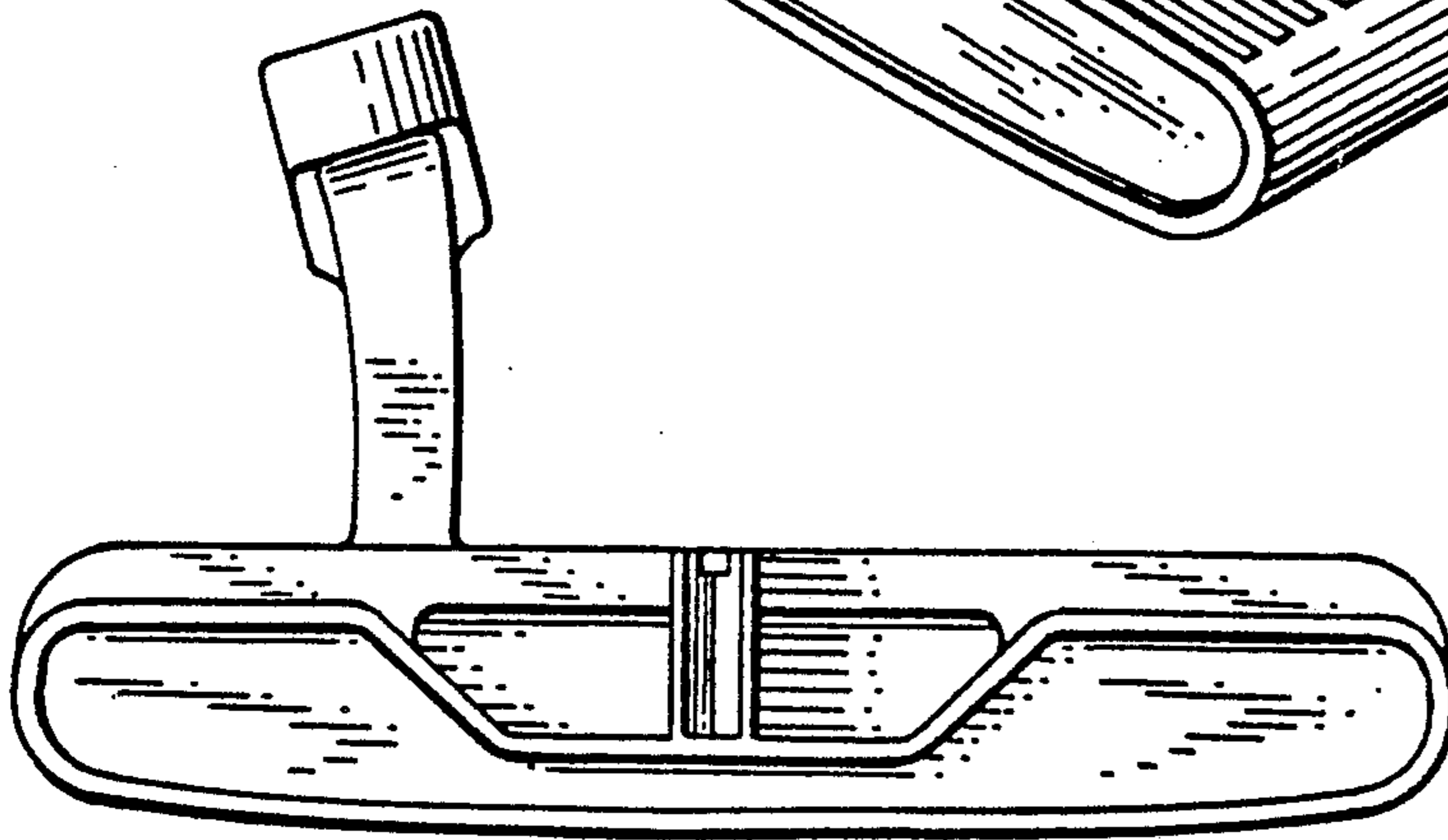


Fig. 2.

Fig. 3.

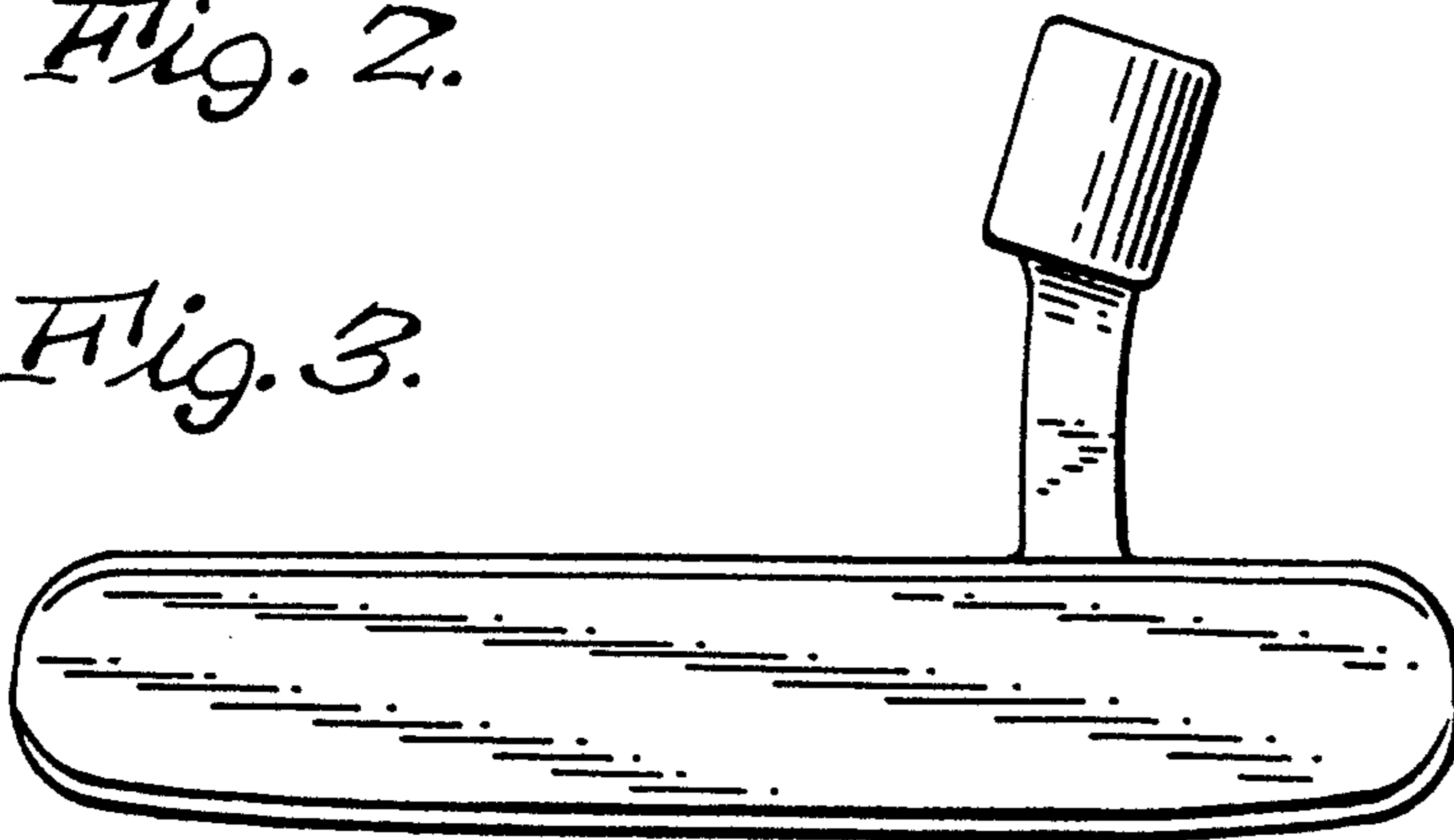


Fig. 5.

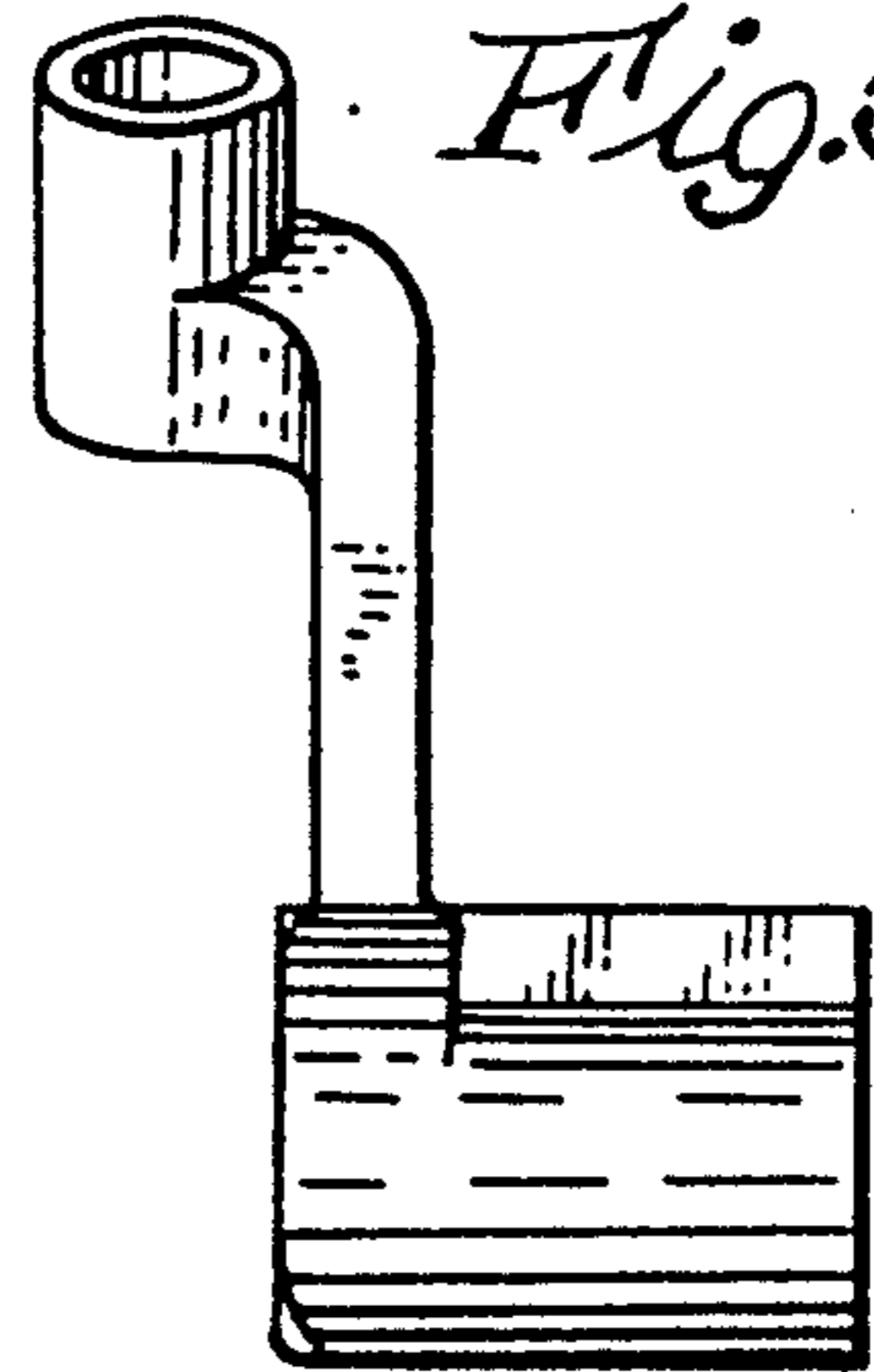


Fig. 7.

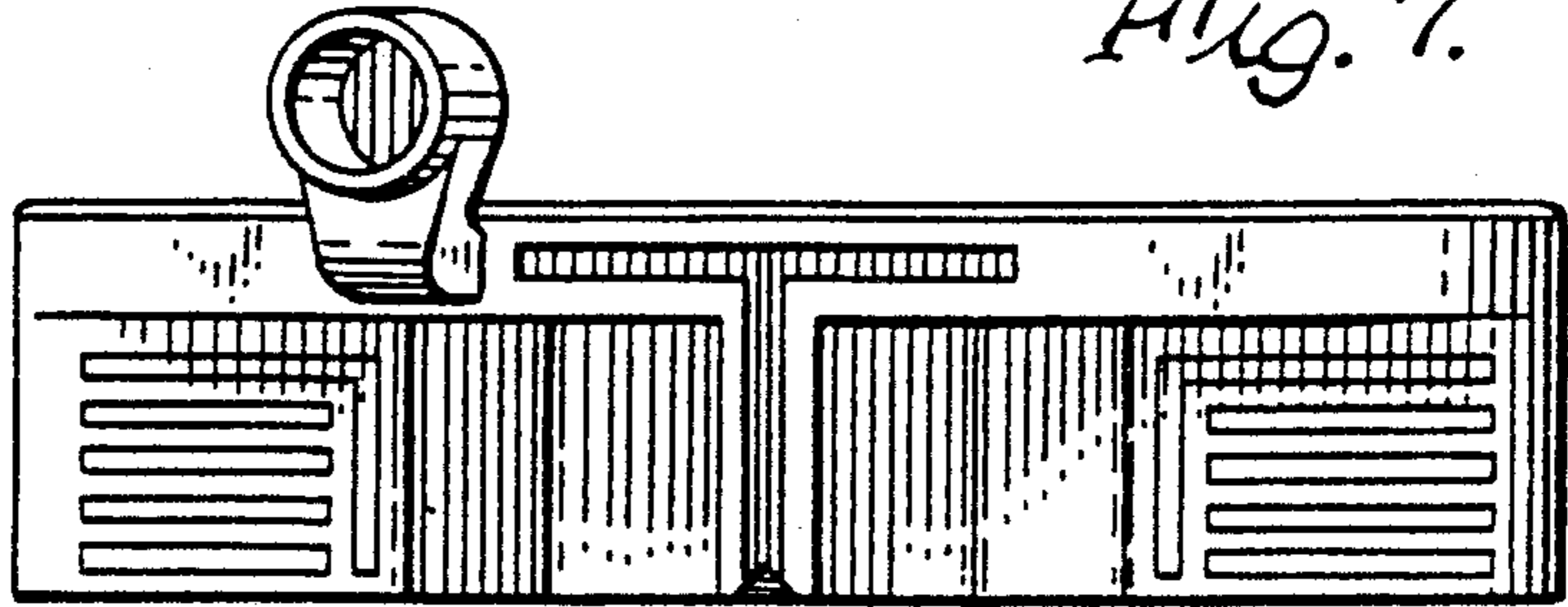


Fig. 8.

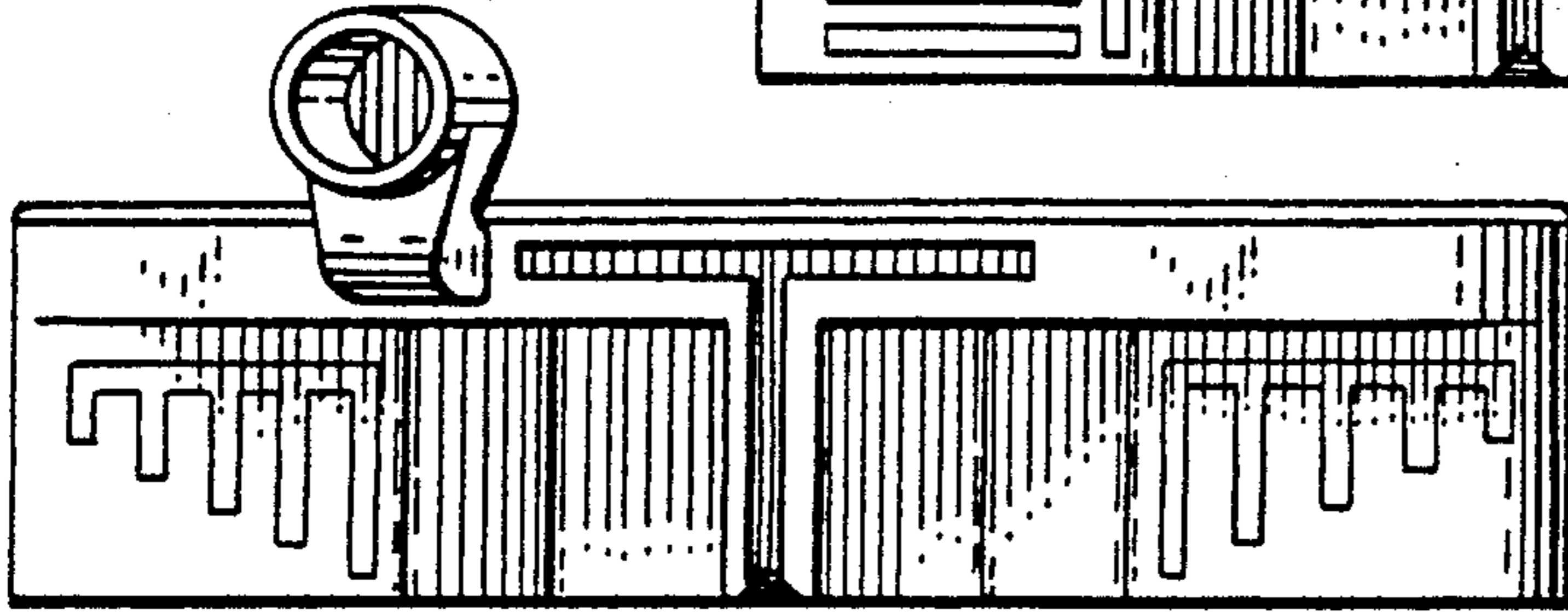


Fig. 9.

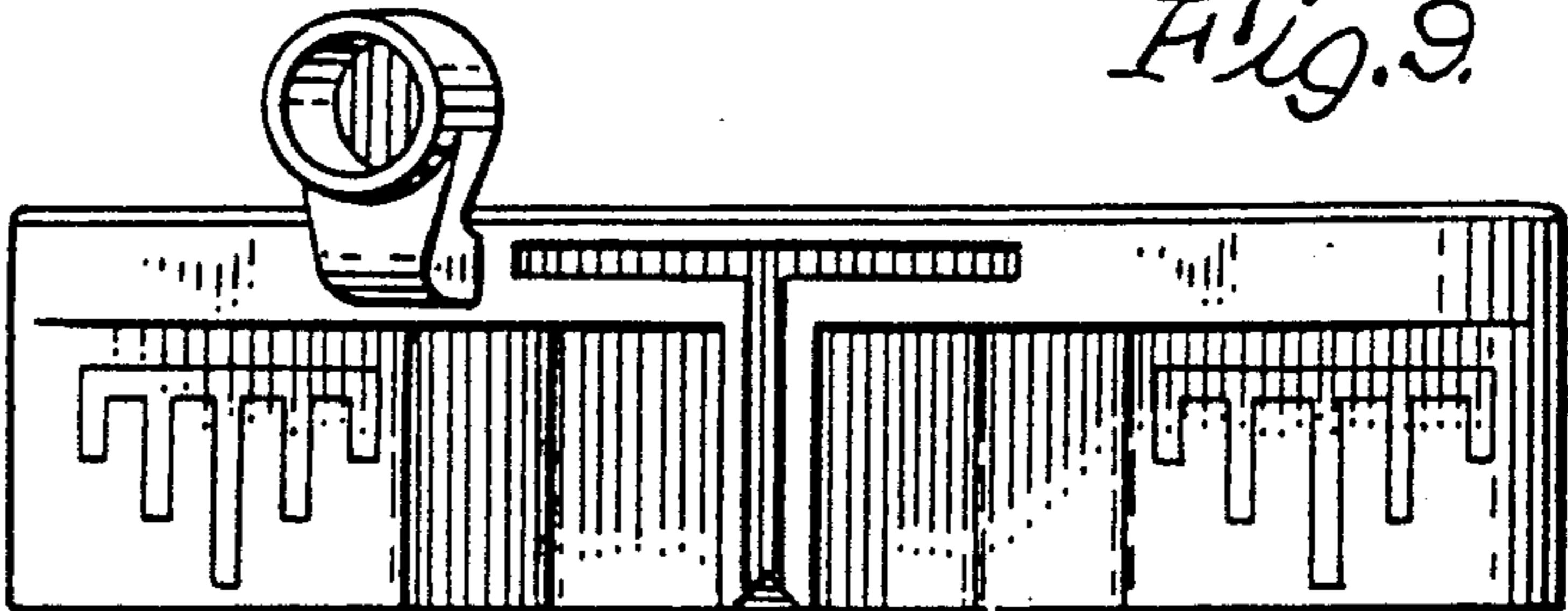


Fig. 10.

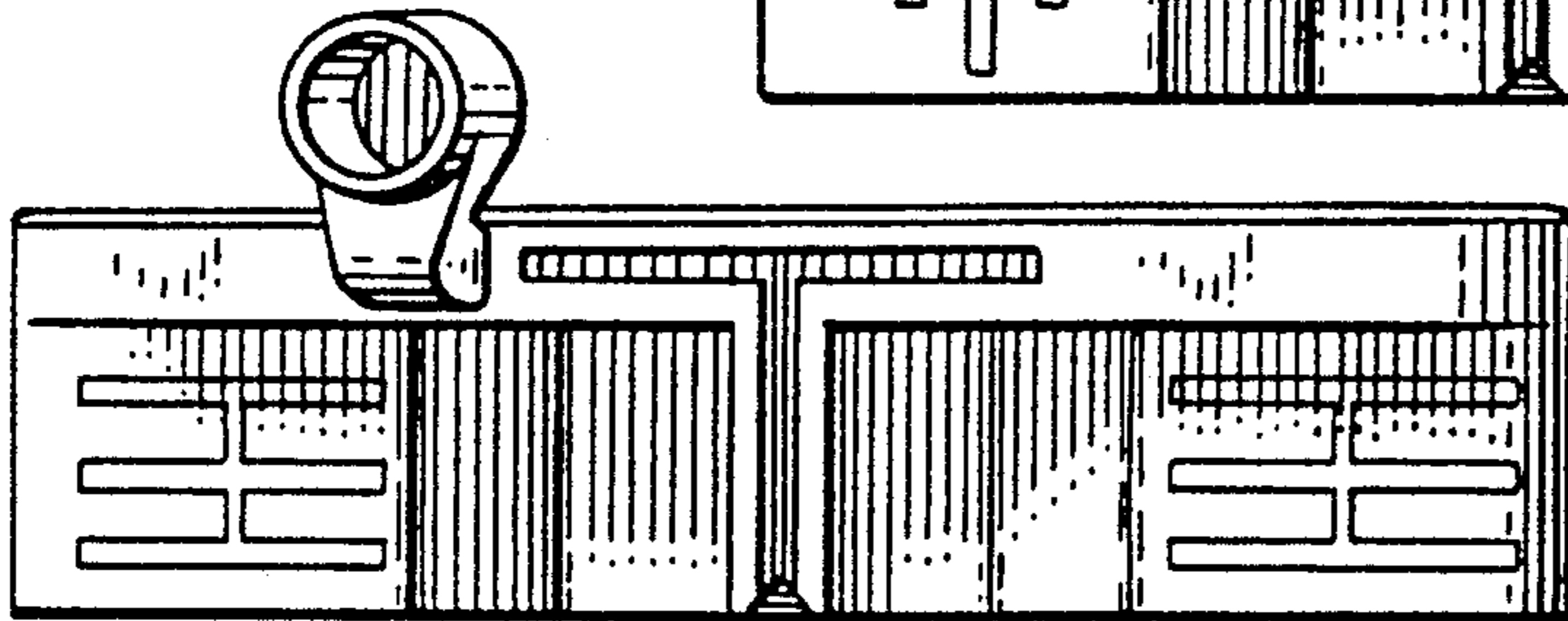


Fig. 11.

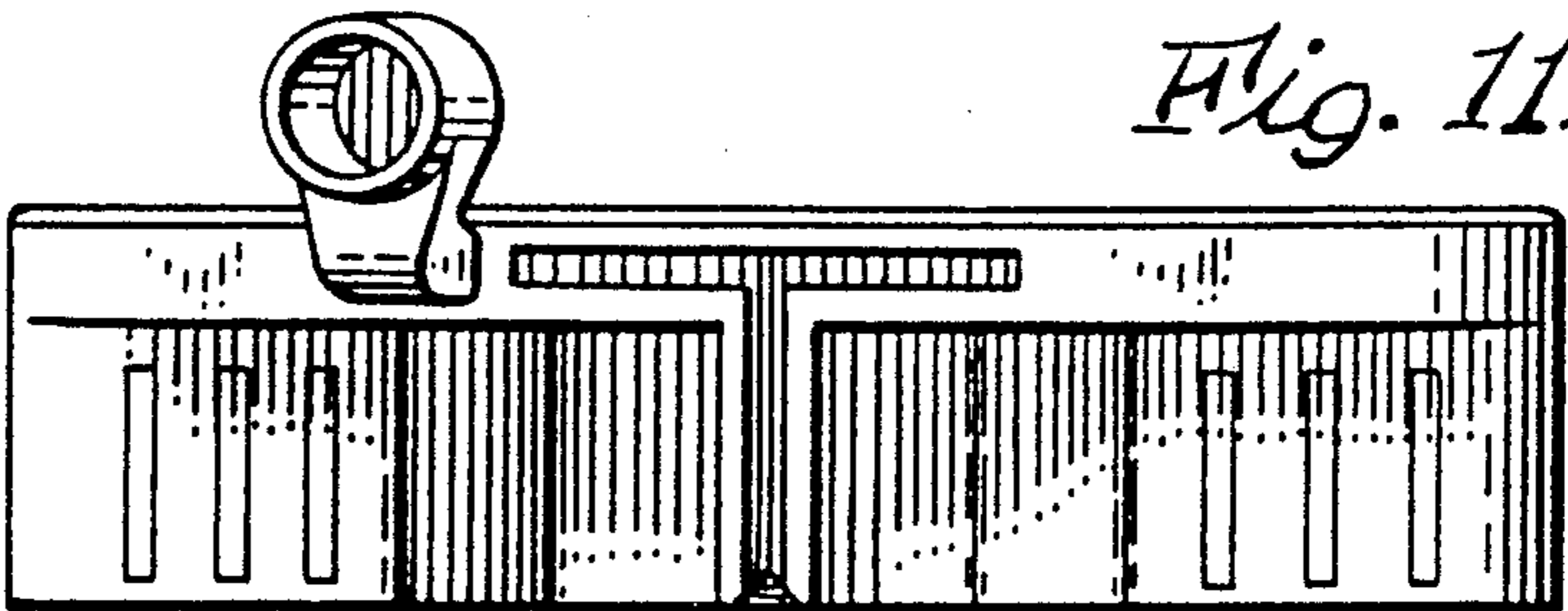


Fig. 12.

