



US00D325949S

# United States Patent [19]

Harris, Jr.

[11] Patent Number: **Des. 325,949**

[45] Date of Patent: **\*\* May 5, 1992**

[54] **GOLF PUTTER HEAD**

4,426,083 1/1984 Dishner ..... 273/164

[75] Inventor: **Albert F. Harris, Jr., Leawood, Kans.**

*Primary Examiner*—Melvin B. Feifer  
*Attorney, Agent, or Firm*—Hovey, Williams, Timmons & Collins

[73] Assignee: **Intec Laboratories, Inc., Kansas City, Mo.**

[57] **CLAIM**

[\*\*] Term: **14 Years**

The ornamental design for a golf putter head, as shown and described.

[21] Appl. No.: **484,652**

**DESCRIPTION**

[22] Filed: **Feb. 26, 1990**

[52] U.S. Cl. .... **D21/219**

[58] Field of Search ..... **D21/214-220; 273/164, 167-175**

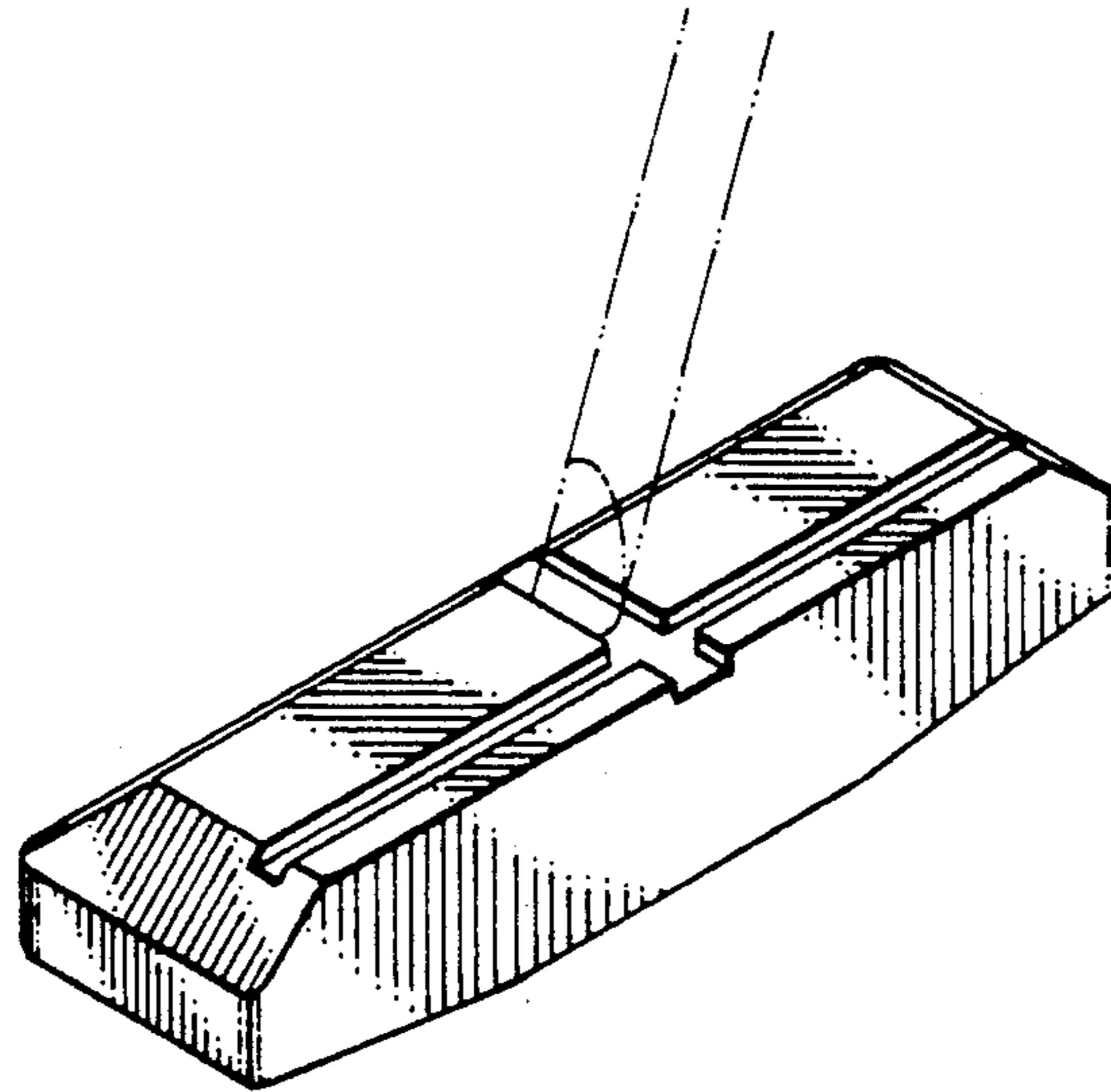
FIG. 1 is a front elevational view of a golf putter head showing my new design;  
FIG. 2 is a rear elevational view;  
FIG. 3 is a front end elevational view;  
FIG. 4 is a rear end elevational view;  
FIG. 5 is a top plan view;  
FIG. 6 is a bottom plan view; and,  
FIG. 7 is a front perspective view.

[56] **References Cited**

**U.S. PATENT DOCUMENTS**

- D. 218,108 7/1970 Wegener, Jr. .... D21/218
- D. 289,912 5/1987 Cotchonis ..... D21/219
- D. 306,629 3/1990 Shearer ..... D21/219

The broken line showing of a shaft segment is for illustrative purposes only and forms no part of the design.



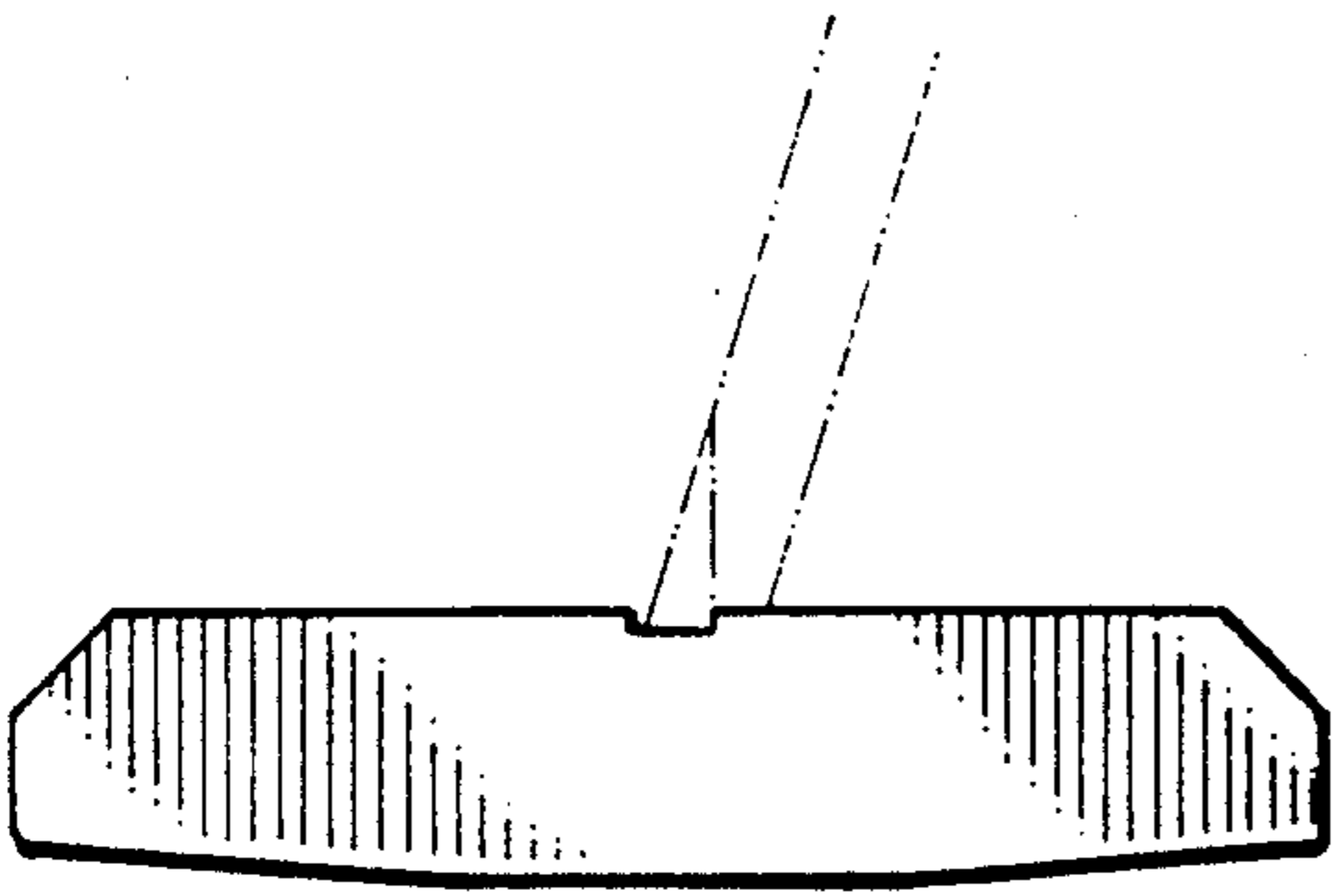


FIG. 1

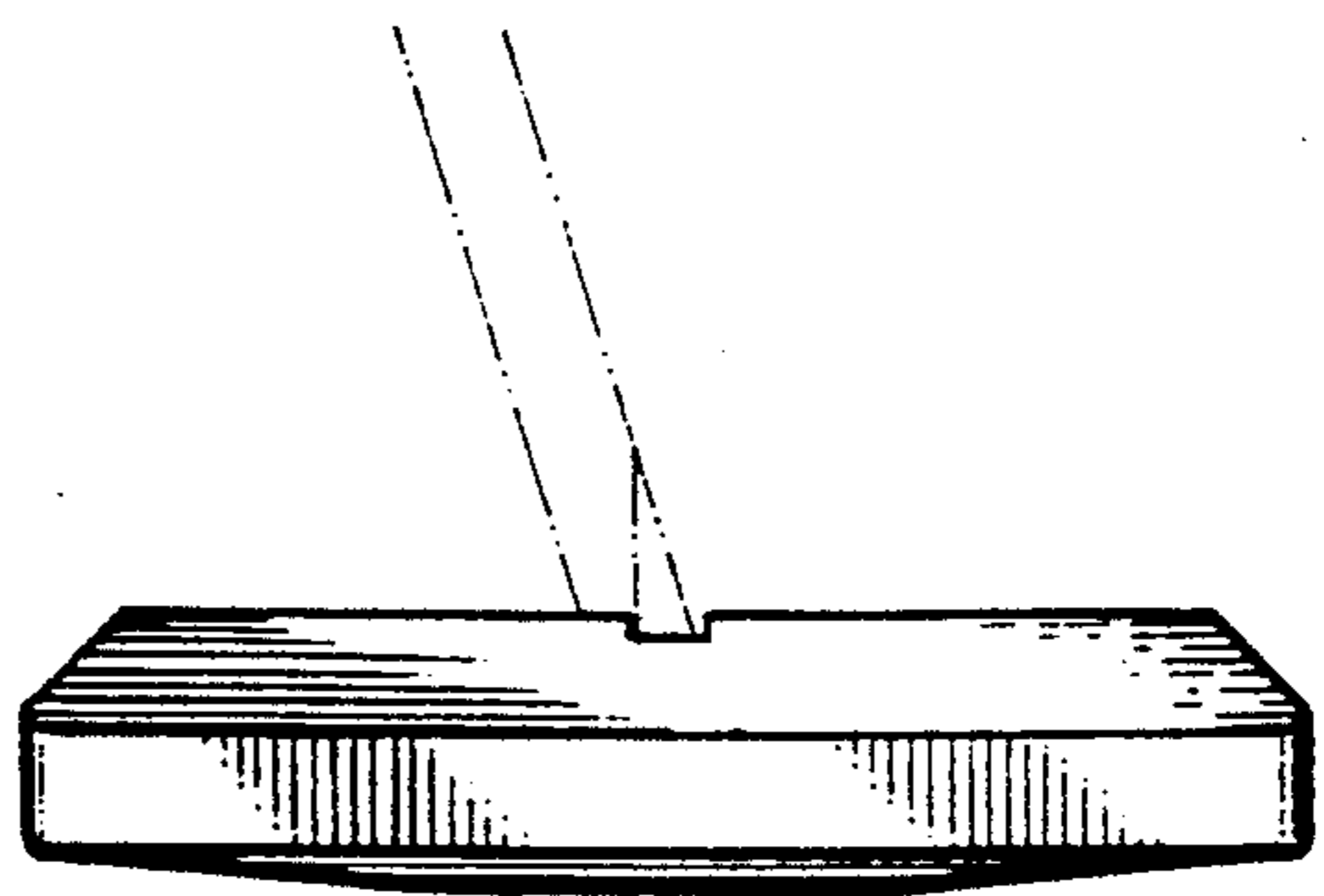


FIG. 2

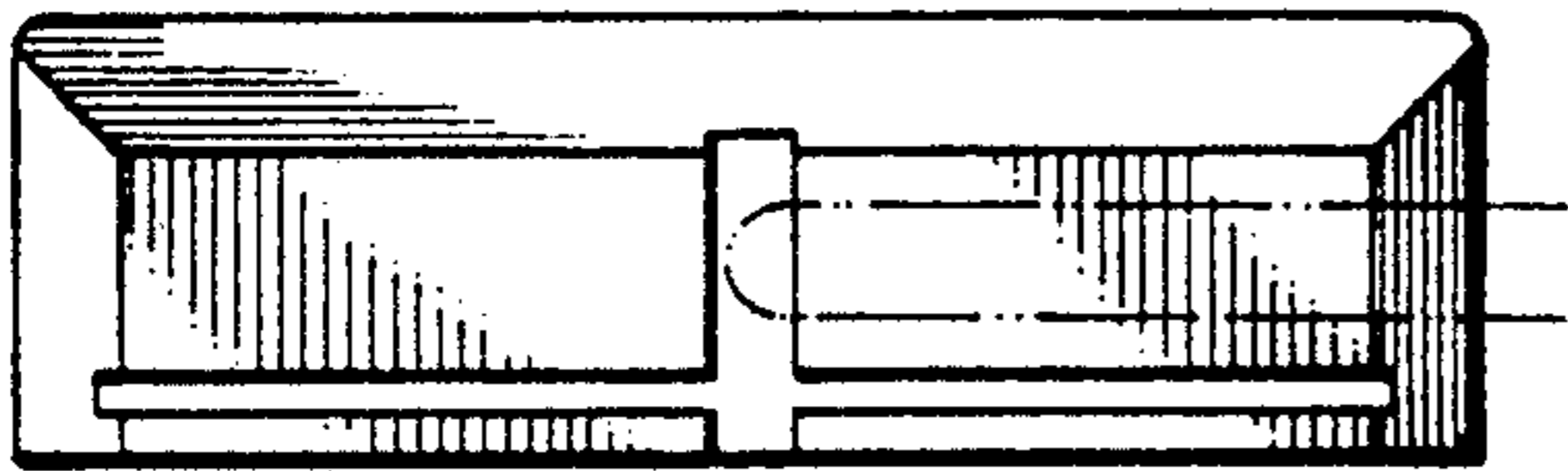


FIG. 5

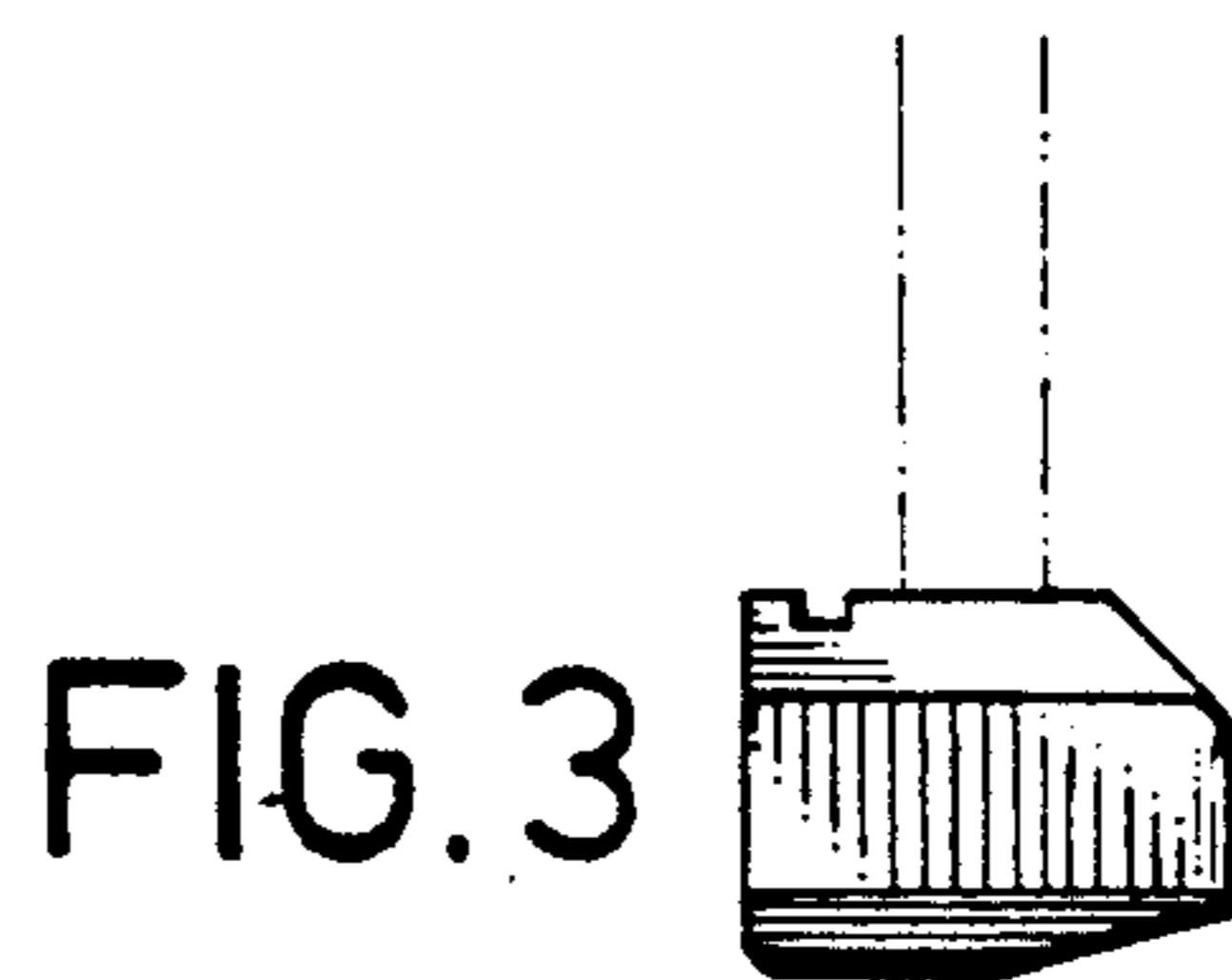


FIG. 3

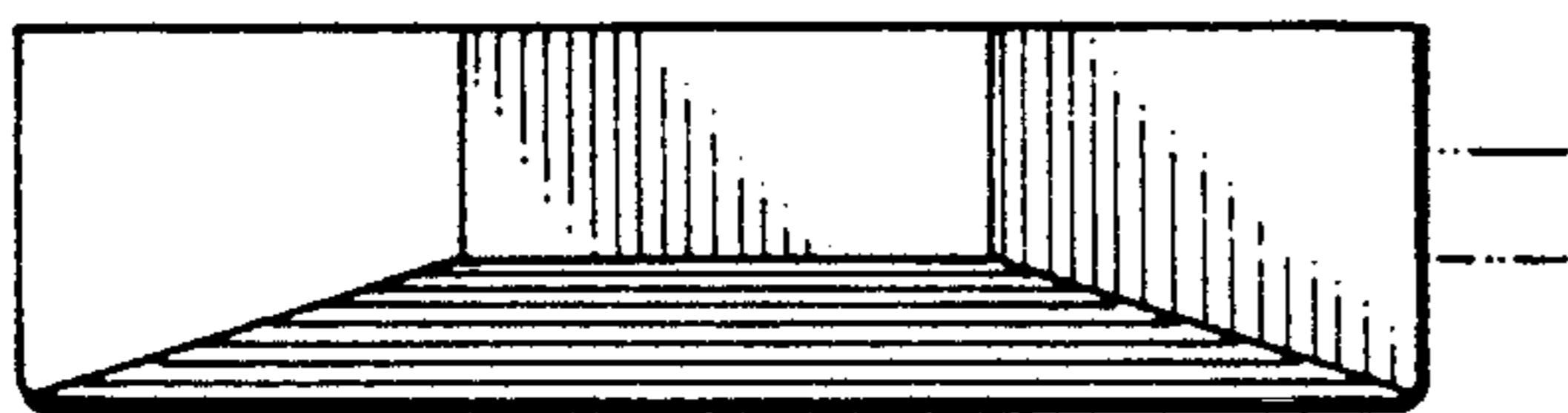


FIG. 6

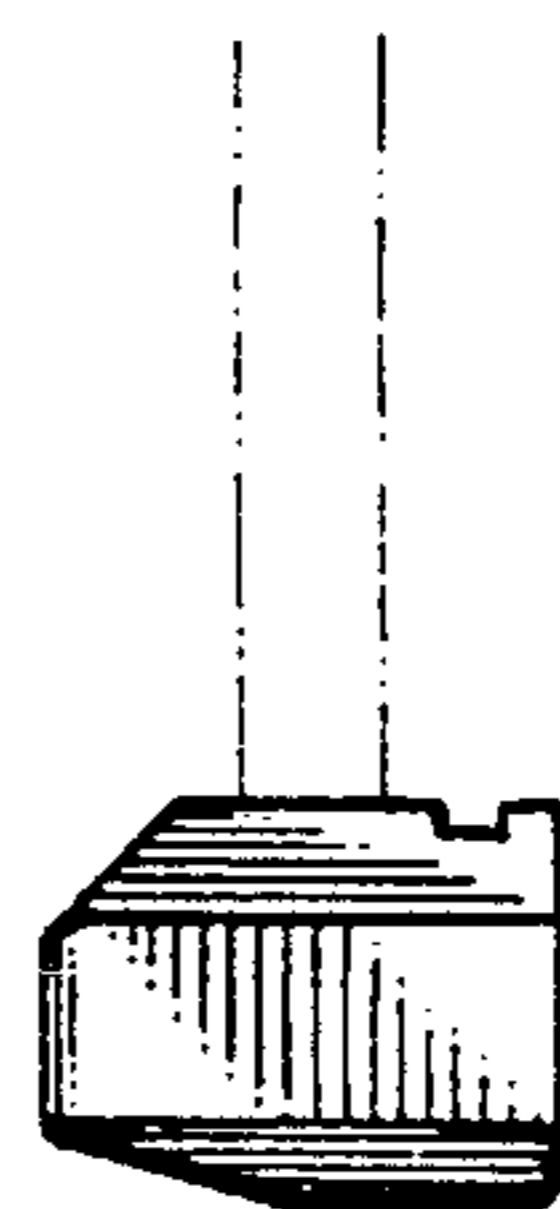


FIG. 4

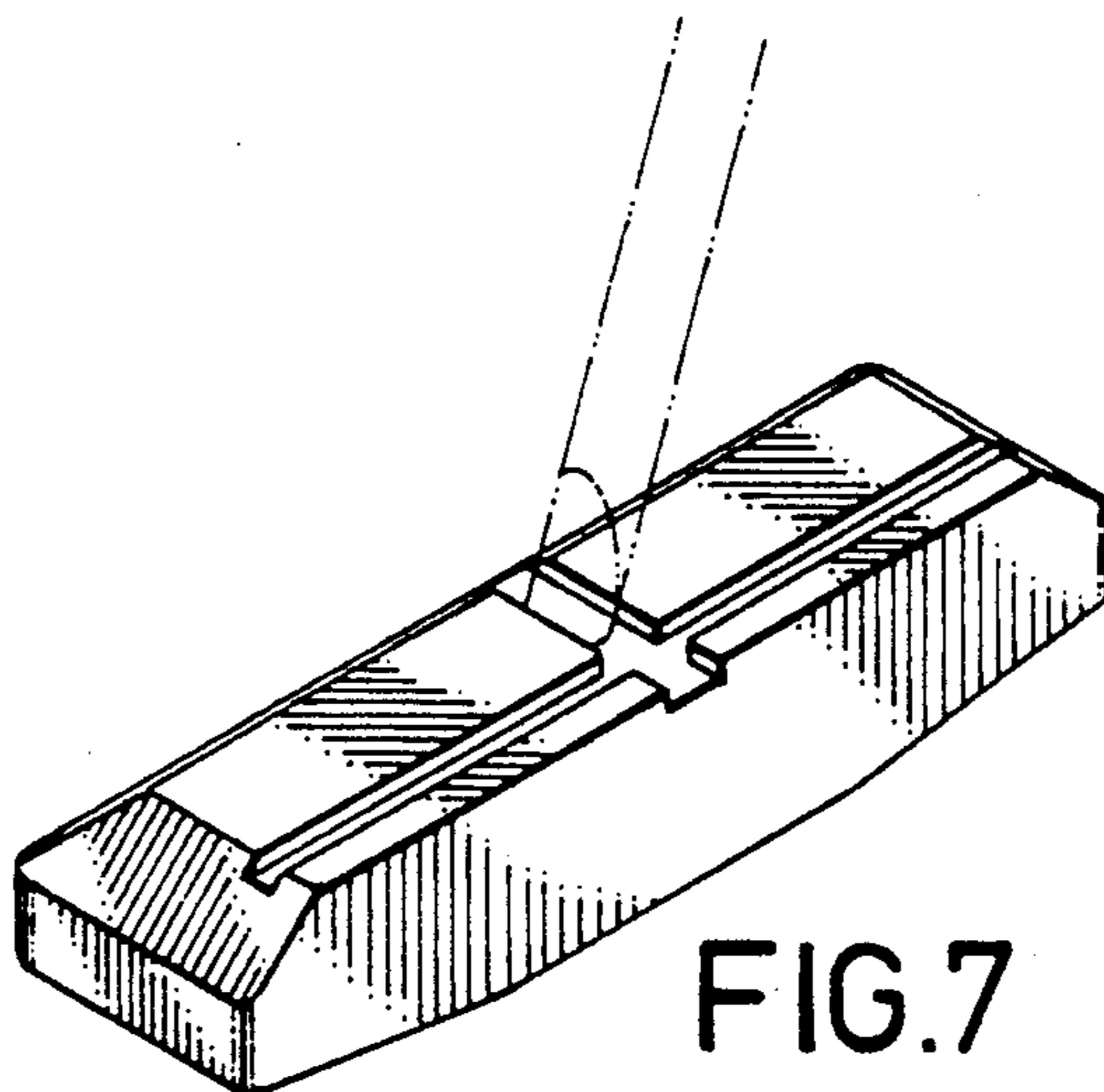


FIG. 7