



US00D325947S

United States Patent [19]

[11] Patent Number: **Des. 325,947**

Cass

[45] Date of Patent: **** May 5, 1992**

[54] **BASKETBALL PRACTICE TARGET**

3,348,840	10/1967	Dix	273/1.5 A
3,814,421	6/1974	Spier, Jr.	273/1.5 A
3,964,743	6/1976	Salsich, Sr.	273/1.5 R

[76] Inventor: **Norman A. Cass, 54 Foster Rd., Southwick, Mass. 01077**

[**] Term: **14 Years**

OTHER PUBLICATIONS

Adams Plastics Brochure, p. 1, bottom right photo Jan. 28, 1980.

[21] Appl. No.: **114,391**

Primary Examiner—Charles A. Rademaker

[22] Filed: **Dec. 30, 1987**

[52] U.S. Cl. **D21/201**

[57] **CLAIM**

[58] Field of Search D21/48, 199, 200, 201; 294/19.2; 273/29 B, 29 BB, 1.5 RA, 1.5 R, 55 R, 55 B, 55 CD, 127 RB, 181 F, 182 R, 411

The ornamental design for a basketball practice target, as shown and described.

[56] **References Cited**

DESCRIPTION

U.S. PATENT DOCUMENTS

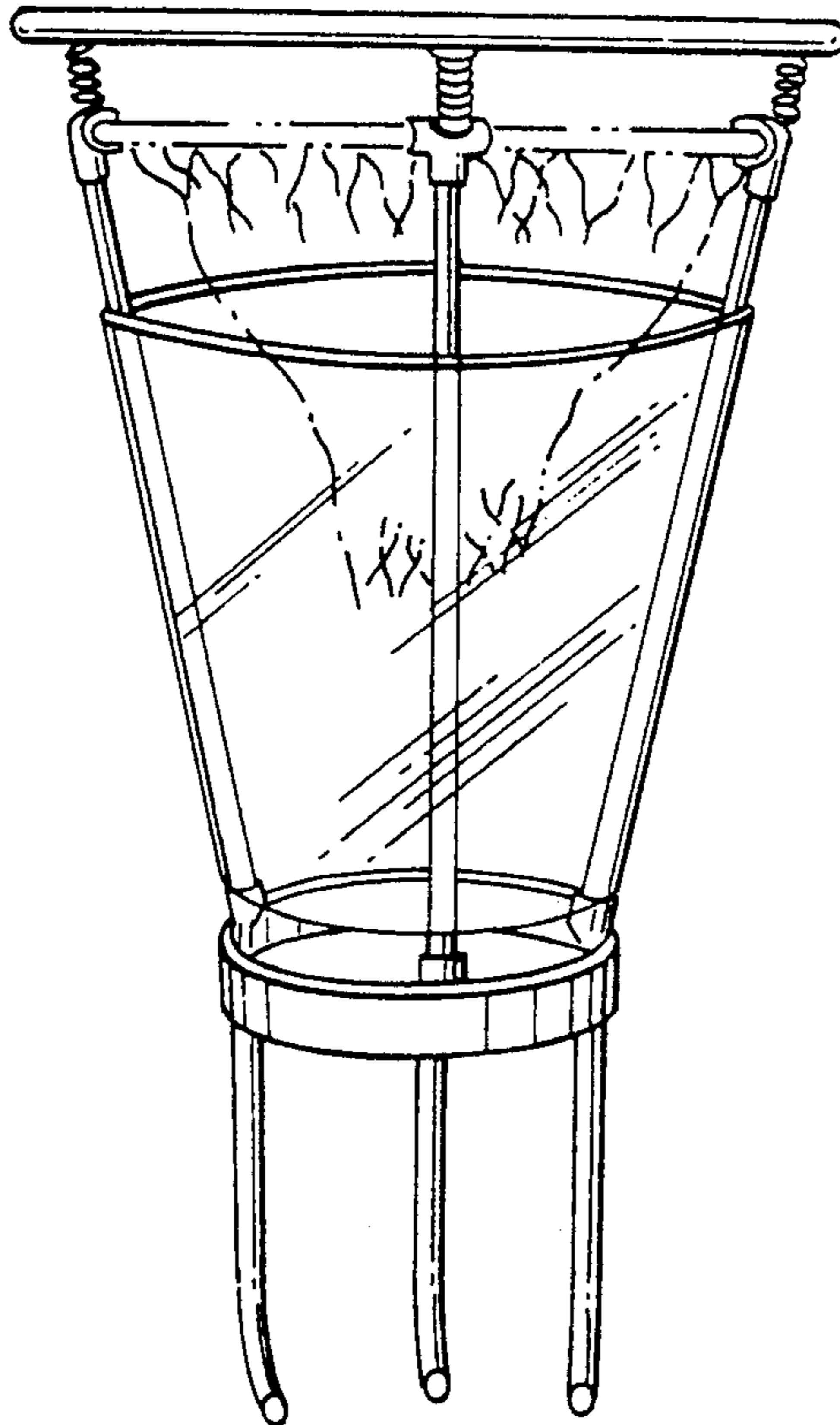
D. 235,216	5/1975	Munson	D21/200
2,053,635	9/1936	Sandberg	273/1.5 R
2,061,152	11/1936	Guthrie	273/1.5 R
2,694,572	11/1954	Crisp	273/1.5 A
2,708,576	5/1955	Verkuilen	273/1.5 A
2,918,283	12/1959	Marschalk	D21/201

FIG. 1 is a top plan view of a basketball practice target showing my new design;

FIG. 2 is a front perspective view thereof; and,

FIG. 3 is a right side elevational view thereof, the side opposite being substantially a mirror image.

The broken lines showing a basketball net and rim in FIGS. 2 and 3 represent environment only.



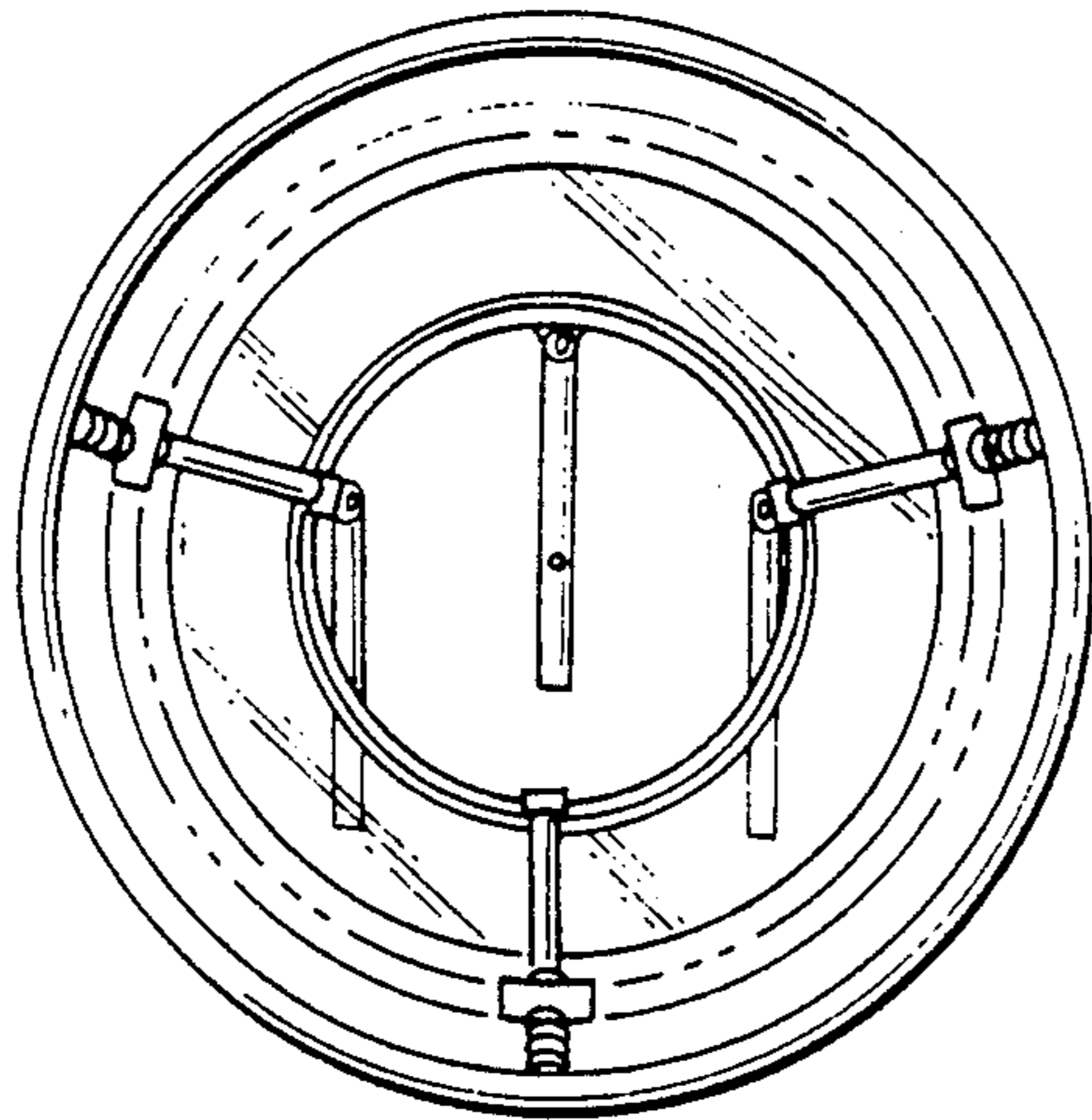


FIG. 1

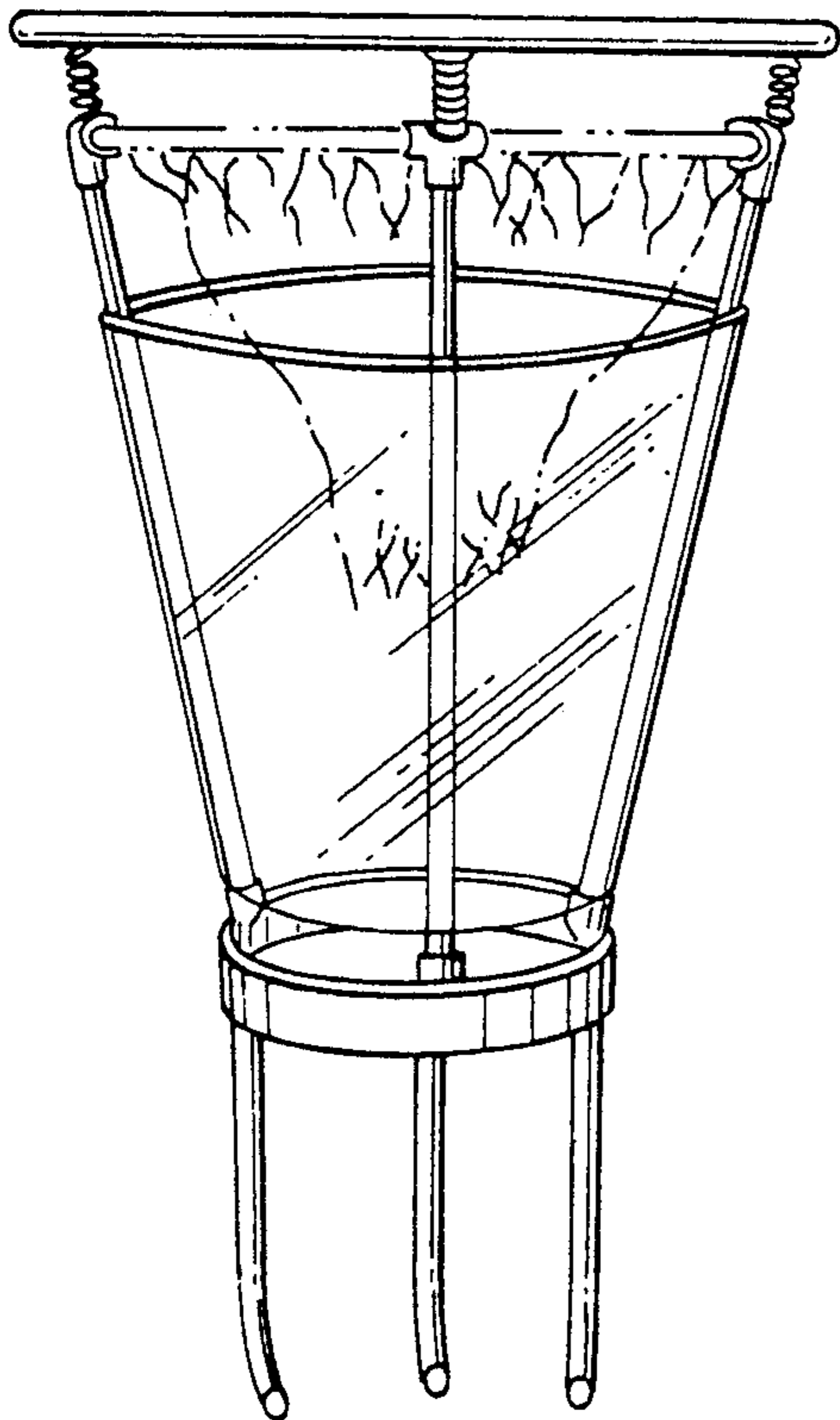


FIG. 2

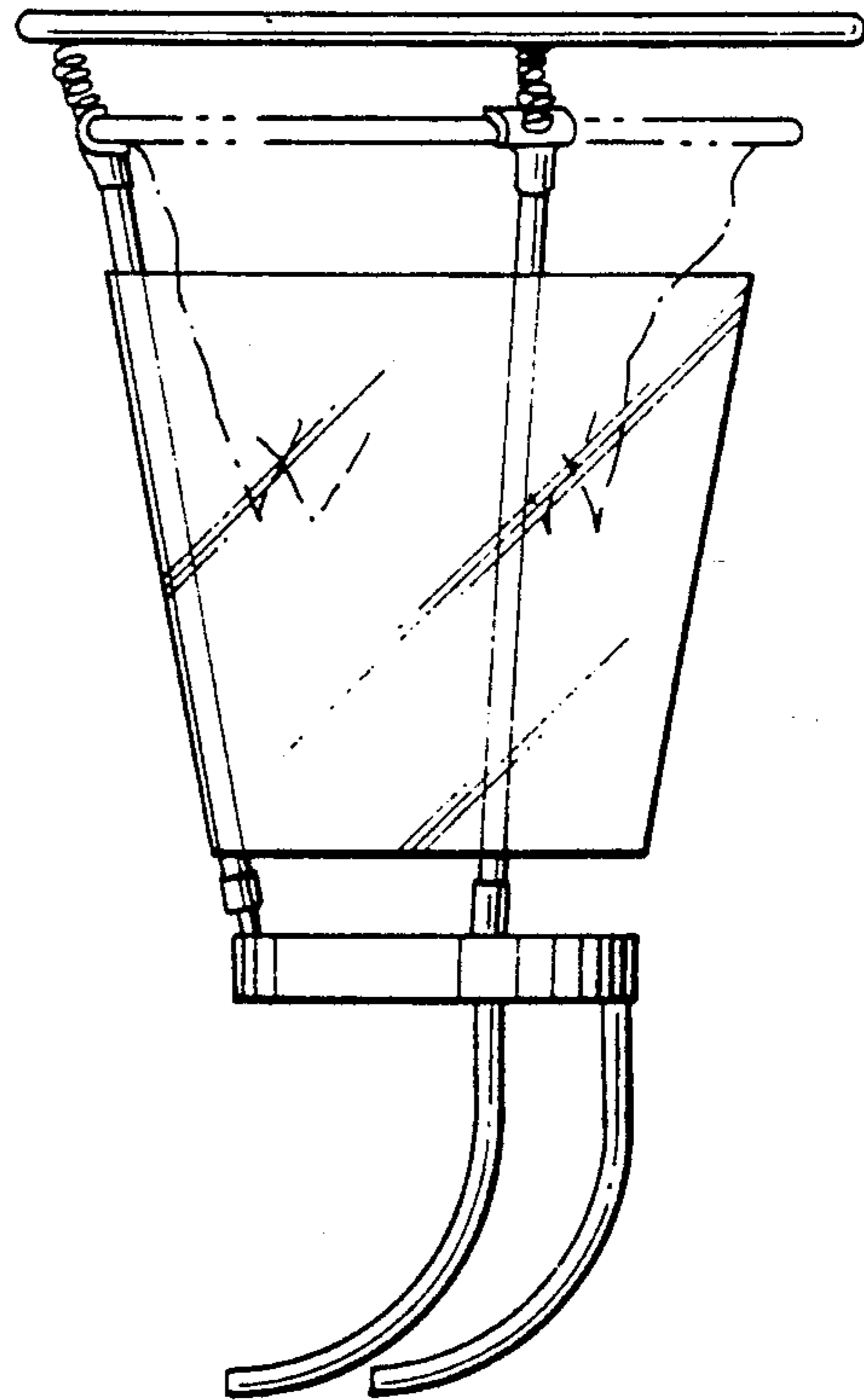


FIG. 3