



US00D325946S

United States Patent [19]

Cesaroni et al.

[11] Patent Number: **Des. 325,946**

[45] Date of Patent: **** May 5, 1992**

[54] EXERCISE BICYCLE

[75] Inventors: **William C. Cesaroni**, Glenview;
David C. Brown; **Anthony M. Kulusic**,
both of Chicago; **Allen L. Ryan**,
Glenview, all of Ill.

[73] Assignee: **Life Fitness**, Franklin Park, Ill.

[**] Term: **14 Years**

[21] Appl. No.: **405,497**

[22] Filed: **Sep. 7, 1989**

[52] U.S. Cl. **D21/194**

[58] Field of Search **D21/191-199;**
272/132, 70.3, 73; 73/379

[56] **References Cited**

U.S. PATENT DOCUMENTS

D. 278,268 4/1985 Kiiski D21/194

D. 290,149 6/1987 Nakao et al. D21/194
D. 298,267 10/1988 Nakao et al. D21/194
D. 301,268 5/1989 Salouaara D21/194
D. 307,782 5/1990 Birrell et al. D21/194
4,958,831 9/1990 Kim 272/73

Primary Examiner—Charles A. Rademaker
Attorney, Agent, or Firm—Jenner & Block

[57] **CLAIM**

The ornamental design for an exercise bicycle, as shown and described.

DESCRIPTION

FIG. 1 is a side perspective view of an exercise bicycle showing our new design;
FIG. 2 is a side elevational view thereof of the side opposite that shown in FIG. 1;
FIG. 3 is a front elevational view thereof;
FIG. 4 is a rear elevational view thereof; and,
FIG. 5 is a top plan view thereof.

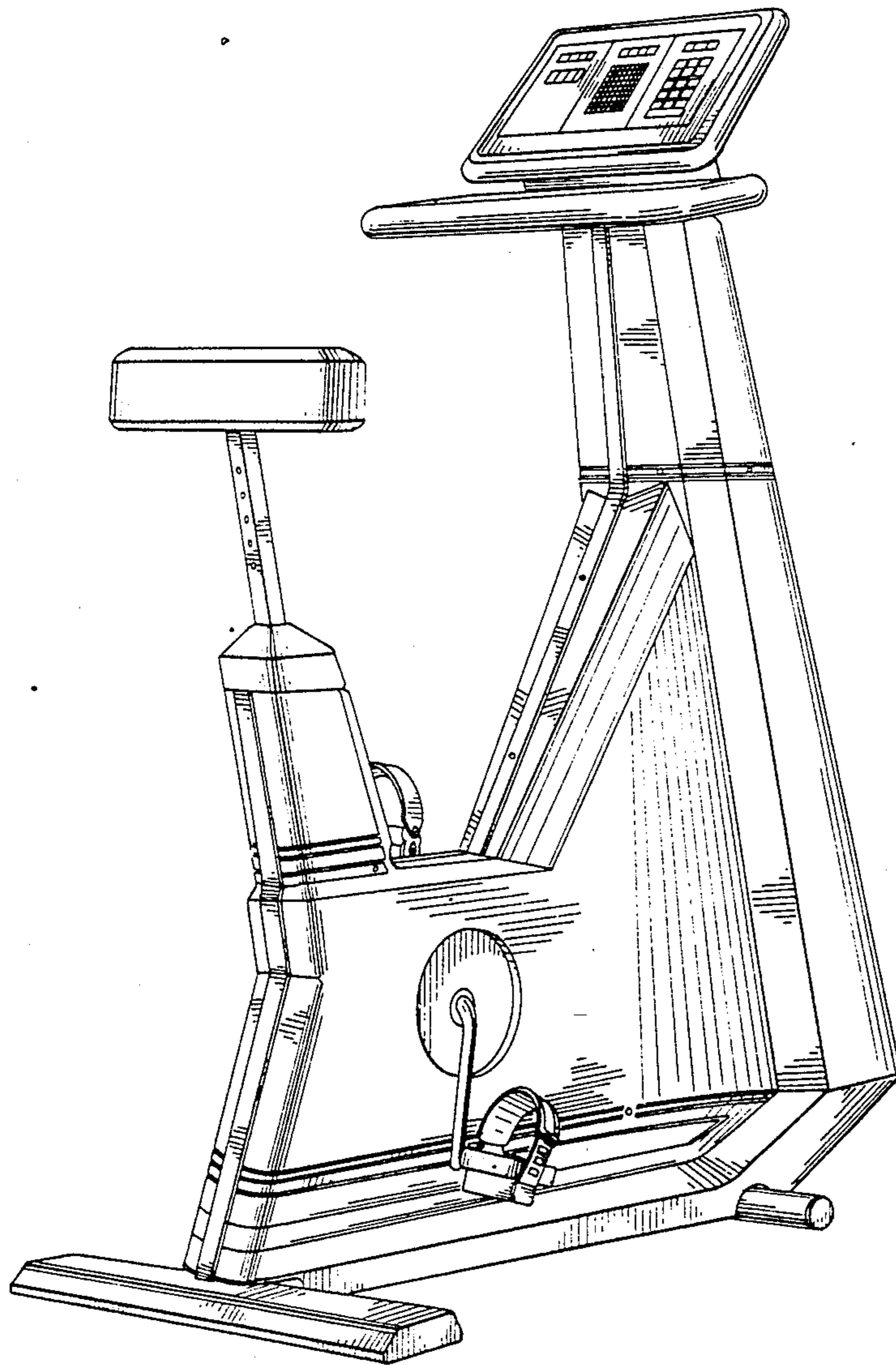


Fig. 1

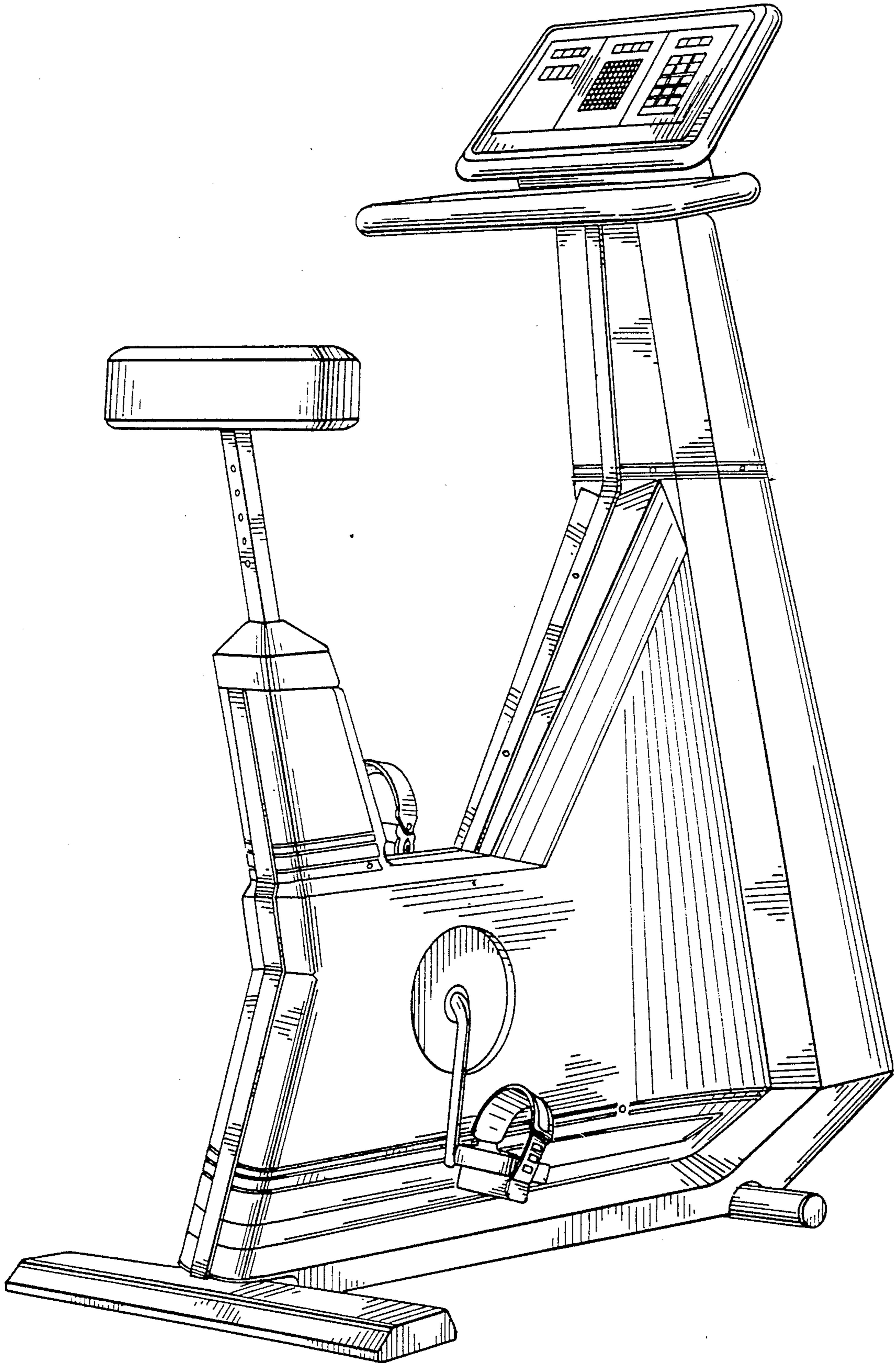


Fig. 2

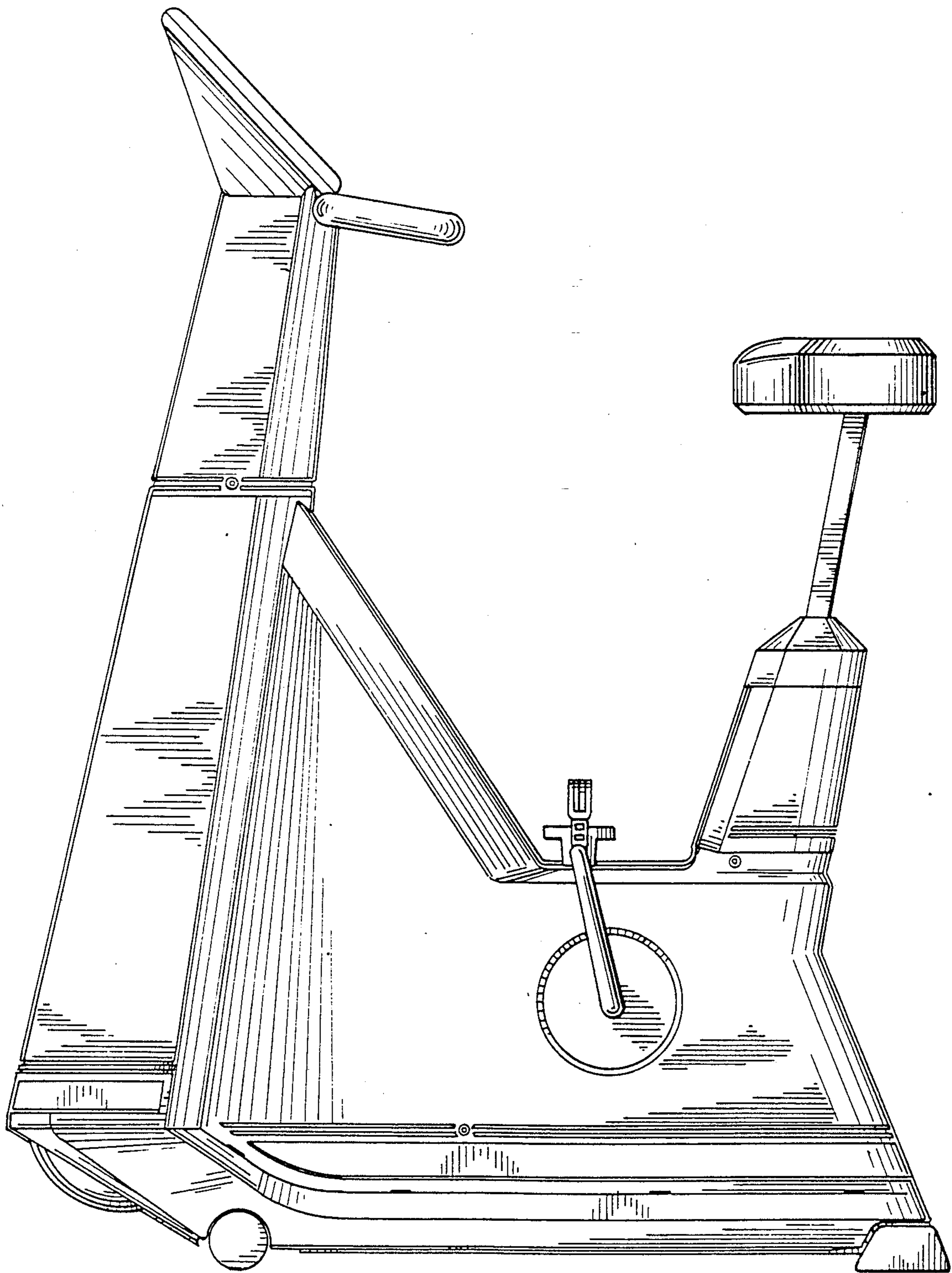


Fig. 3

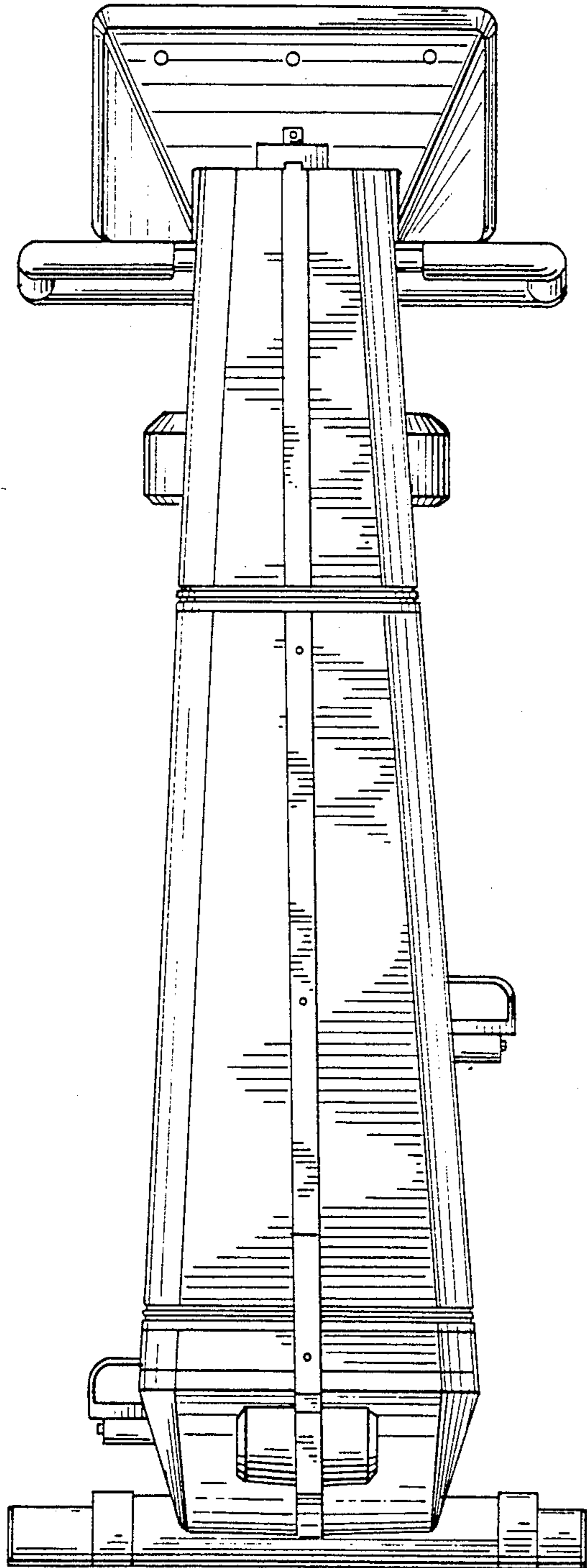


Fig. 4

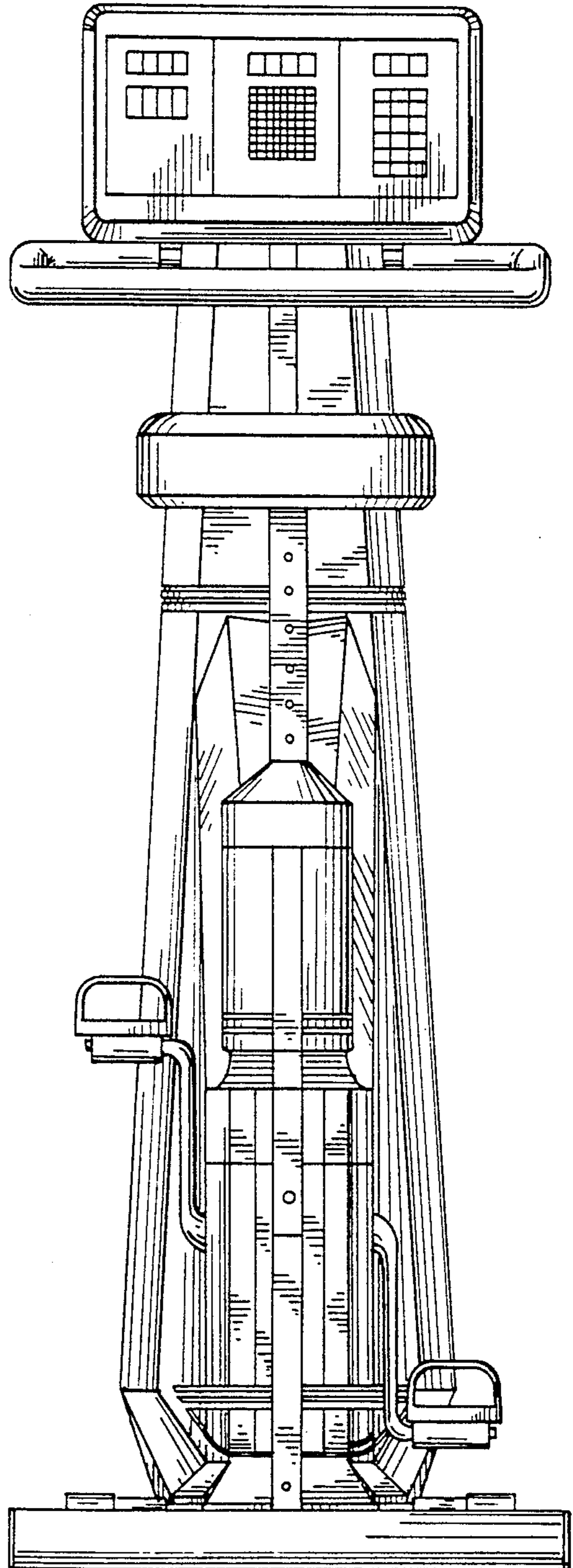


Fig. 5

