



US00D325933S

United States Patent [19]

[11] Patent Number: **Des. 325,933**

Torgison

[45] Date of Patent: **** May 5, 1992**

[54] **COMBINED DESK PLAQUE AND HOLDER FOR A WRITING INSTRUMENT AND NOTE PAD**

[76] Inventor: **Gary L. Torgison**, 1415 SW. 129th St., Seattle, Wash. 98146

[**] Term: **14 Years**

[21] Appl. No.: **357,112**

[22] Filed: **May 26, 1989**

[52] U.S. Cl. **D19/78; S19/84; S19/90; D20/15**

[58] Field of Search **D20/15, 10; D19/35, D19/20, 36, 65, 78, 81-85, 86, 90, 91, 92, 95, 99, 100; D6/466, 469; 206/214, 371, 494; 211/69.1-69.9, 10, 11, 45, 50, 55**

[56] **References Cited**

U.S. PATENT DOCUMENTS

D. 92,399	6/1934	Herold	D6/466
D. 155,958	11/1949	Wofter	D19/90 X
D. 161,840	2/1951	Hopp	D19/90 X
D. 167,309	7/1952	Freiberger	D6/466 X
D. 217,993	7/1970	Wofter	D19/85 X
D. 228,417	9/1973	Riley	D19/84 X
D. 230,320	2/1974	Lowery et al.	D19/86 X
D. 235,226	5/1975	Money	D19/20 X

D. 242,056	10/1976	Card	D6/466 X
D. 257,729	12/1980	Brough	D19/85 X
D. 258,941	4/1981	Henkels	D19/85 X
D. 312,097	11/1990	Robinson	D20/10
1,598,235	8/1926	Barbieri	206/494 X
3,198,339	8/1965	Stolarz	211/69.5 X
4,002,237	1/1977	Nichols	206/371
4,121,719	10/1978	Wilhelm	211/69.5

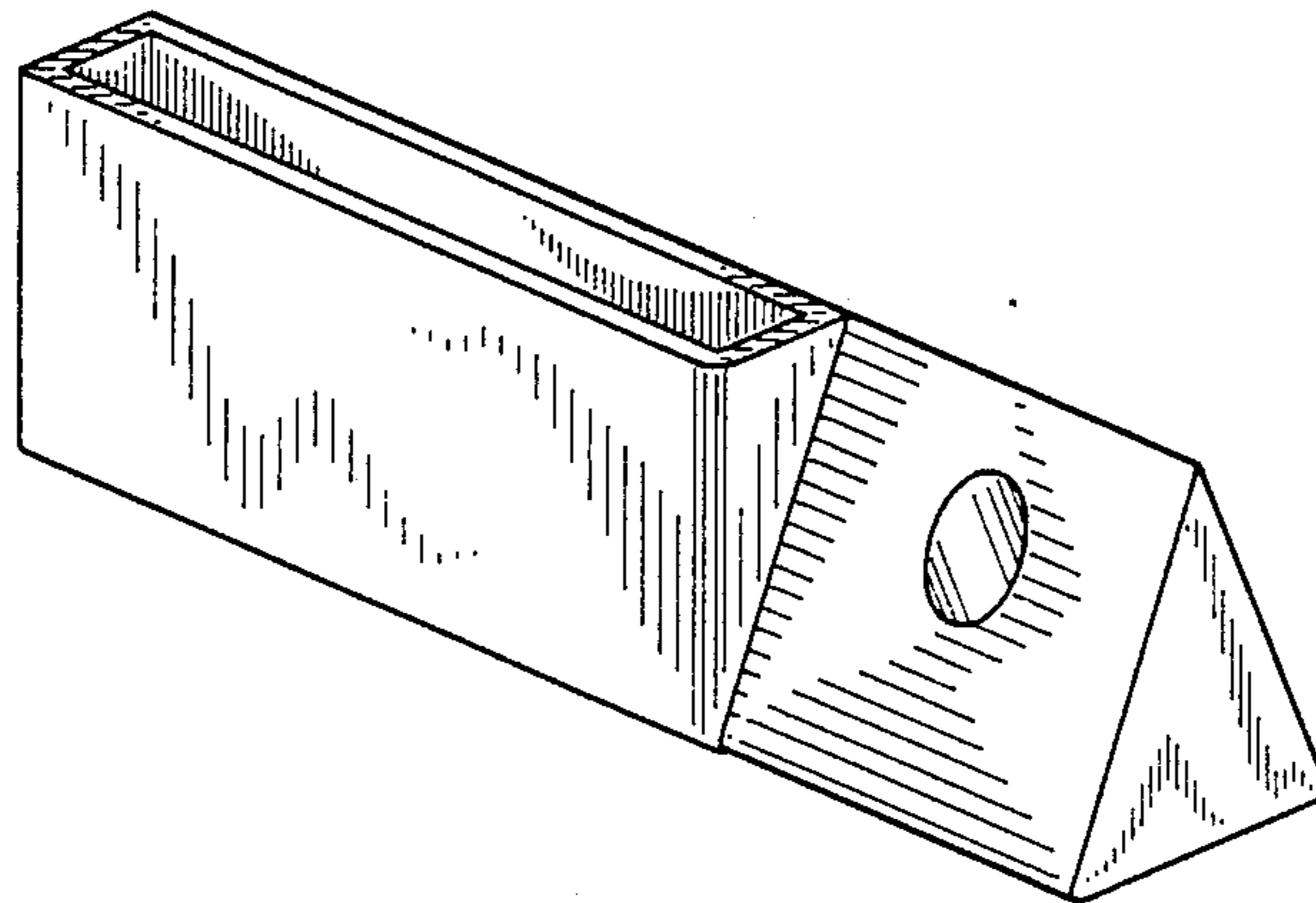
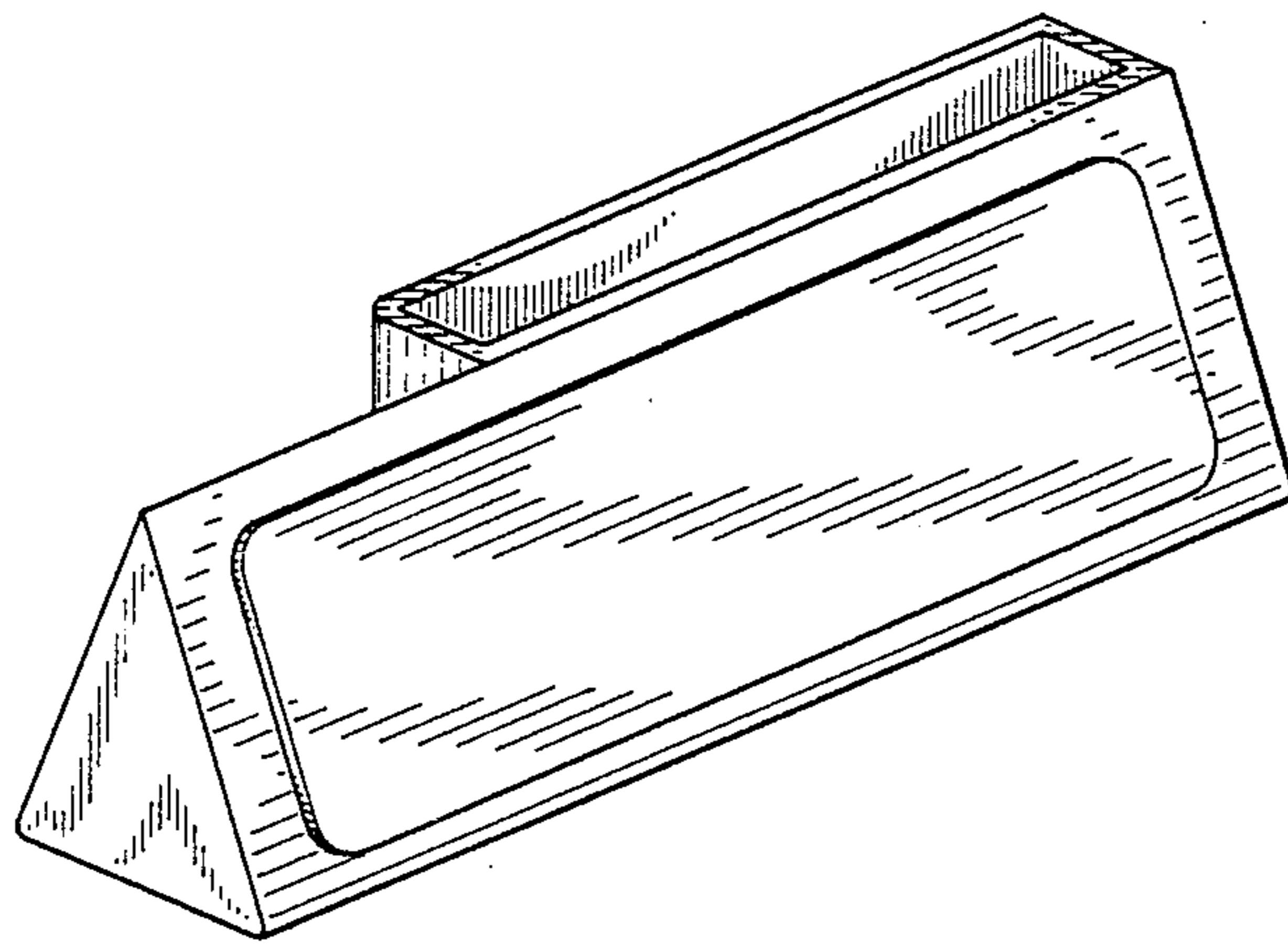
Primary Examiner—Donald P. Walsh
Assistant Examiner—Martha Thompson
Attorney, Agent, or Firm—Leon Gilden

[57] CLAIM

The ornamental design for a combined desk plaque and holder for a writing instrument and note pad, as shown and described.

DESCRIPTION

FIG. 1 is a front elevational view of a combined desk plaque and holder for a writing instrument and note pad showing my new design;
FIG. 2 is a rear elevational view;
FIG. 3 is a left side elevational view;
FIG. 4 is a right side elevational view;
FIG. 5 is a top plan view;
FIG. 6 is a bottom plan view;
FIG. 7 is a top, left front perspective view; and,
FIG. 8 is a top, right rear perspective view thereof.



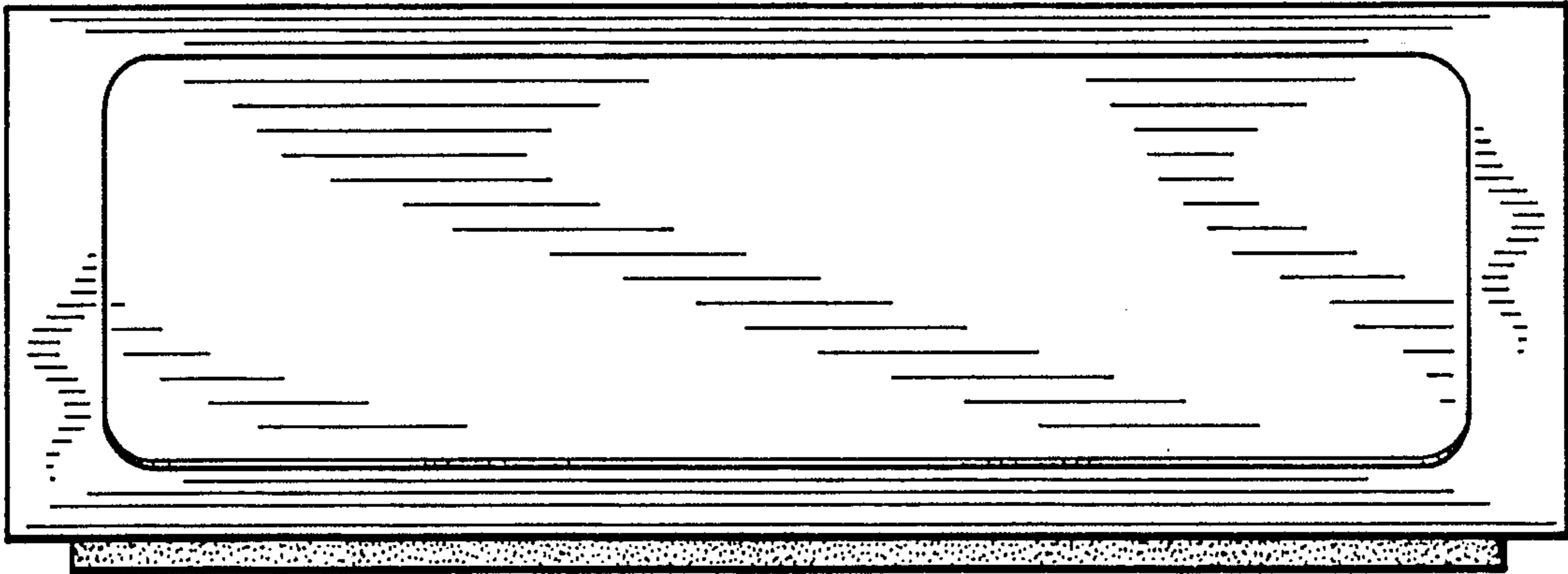


Fig. 1

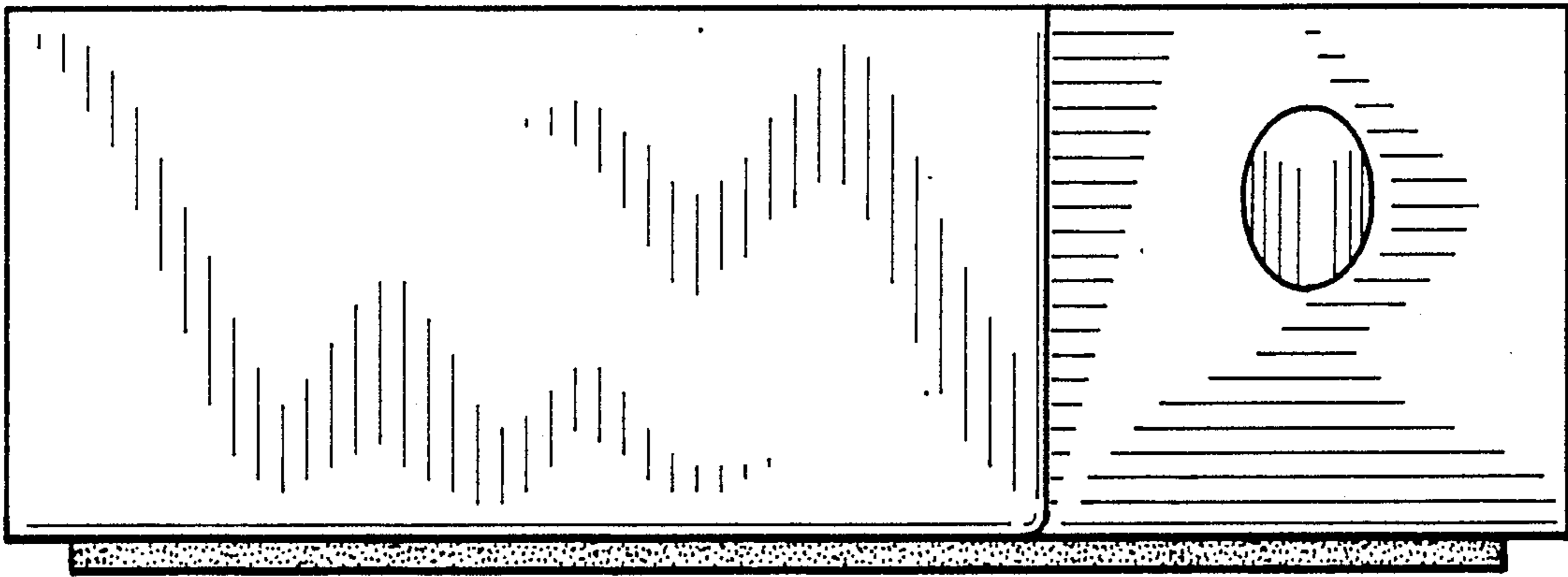


Fig. 2

Fig. 3

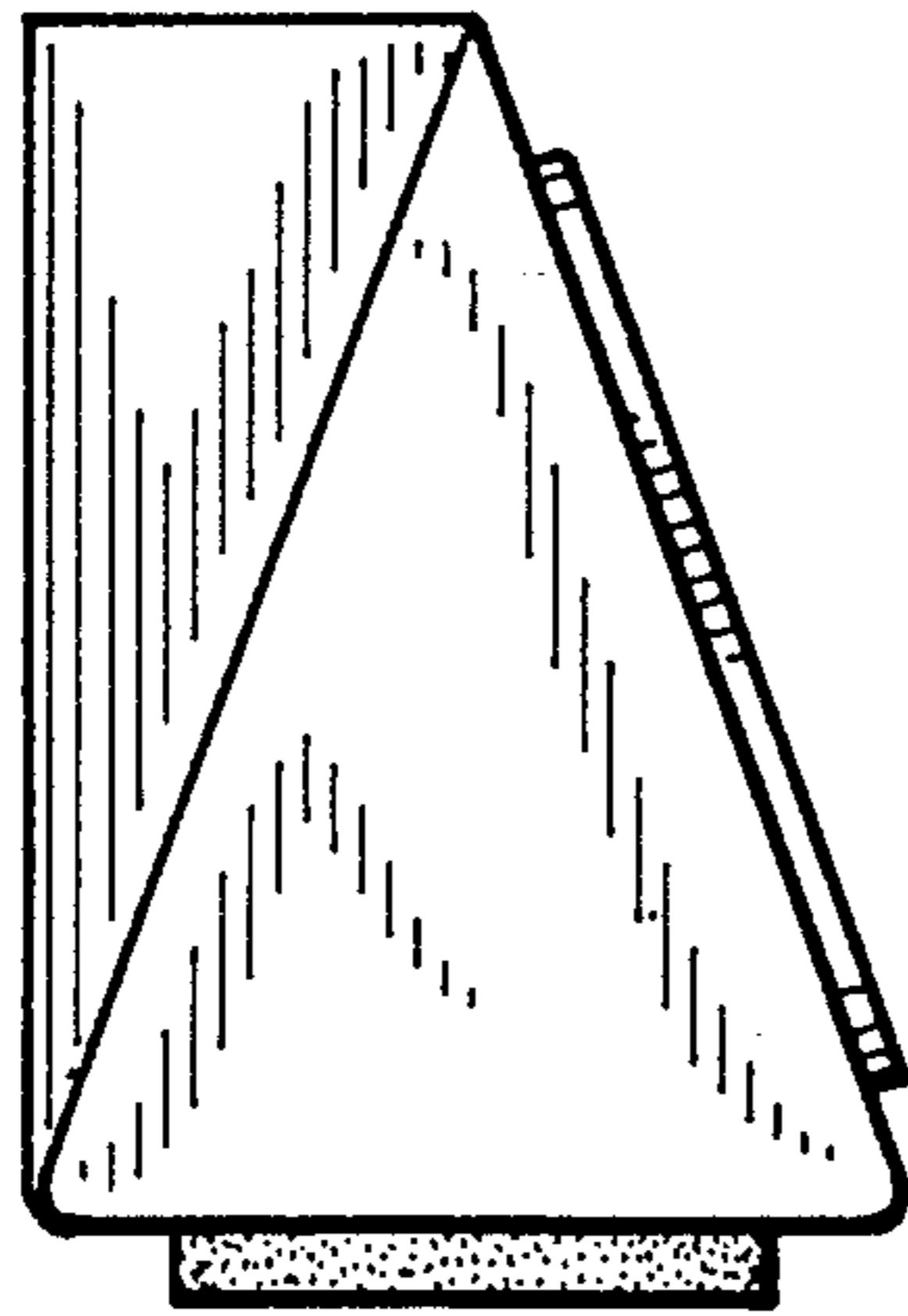


Fig. 4

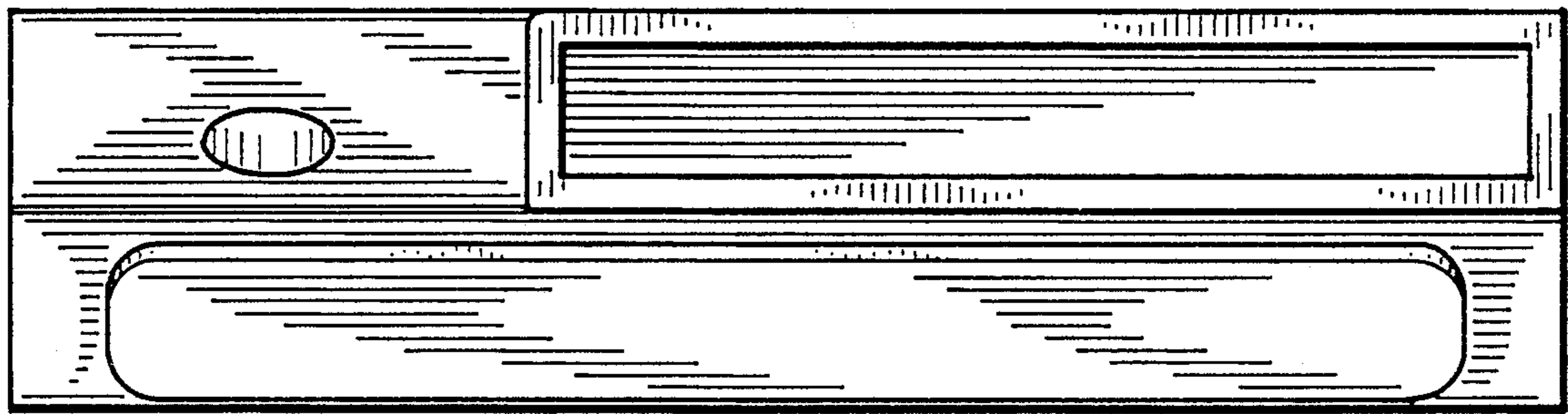
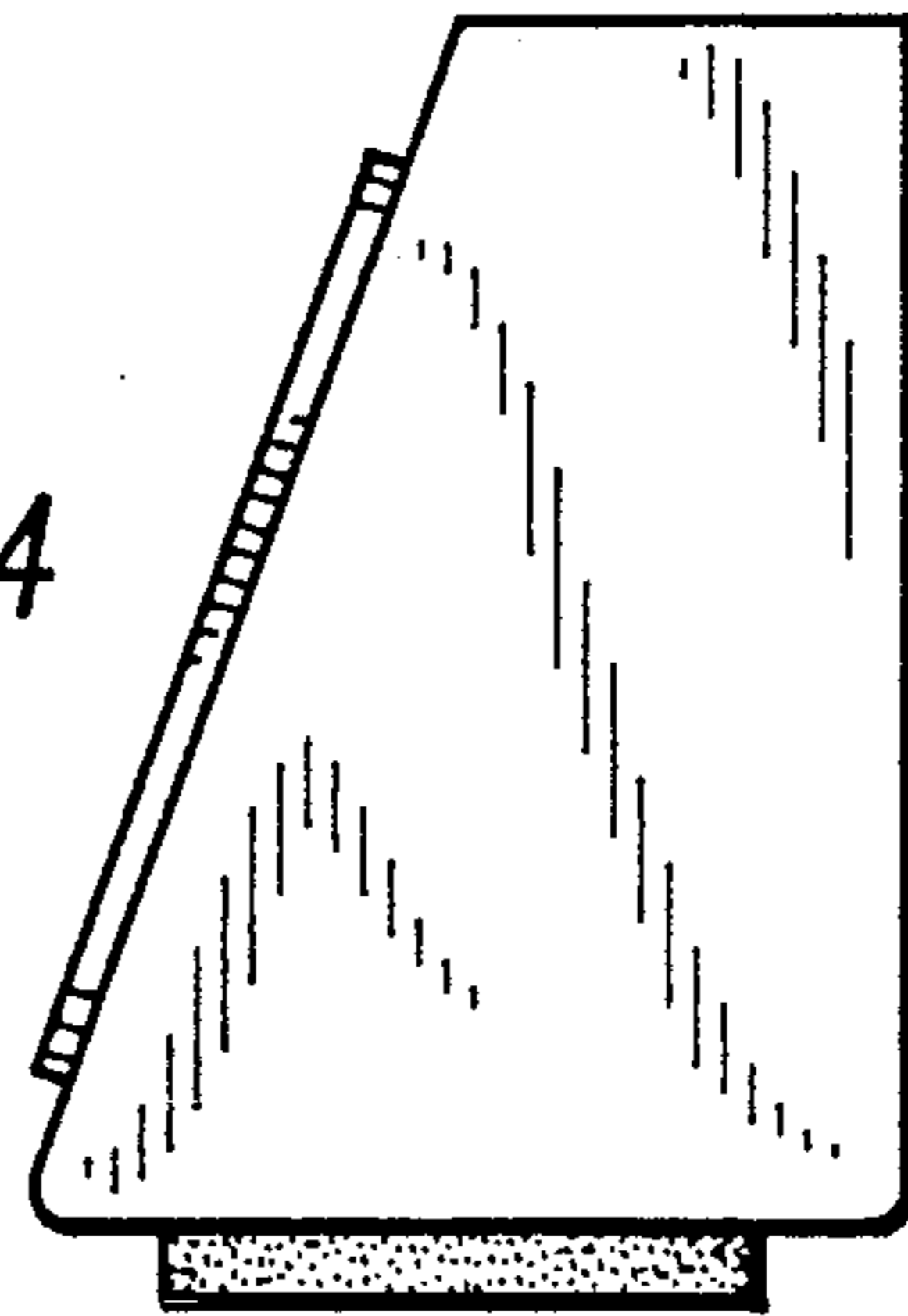


Fig. 5

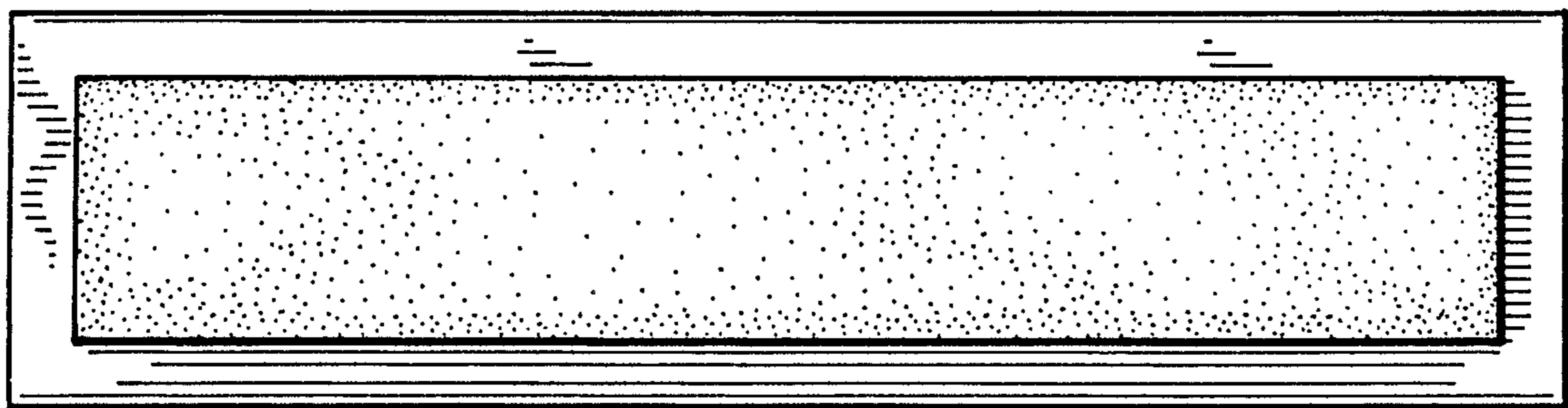


Fig. 6

