



US00D325925S

United States Patent [19]

[11] Patent Number: **Des. 325,925**

Widdison

[45] Date of Patent: **** May 5, 1992**

- [54] **DOCUMENT SHREDDER**
- [75] Inventor: **Leon F. Widdison, Warwick, United Kingdom**
- [73] Assignee: **Ofrex Group Holdings, Plc, England**
- [**] Term: **14 Years**
- [21] Appl. No.: **239,322**
- [22] Filed: **Aug. 31, 1988**
- [30] **Foreign Application Priority Data**
 Mar. 10, 1988 [GB] United Kingdom 1049104
- [52] **U.S. Cl.** **D18/34**
- [58] **Field of Search** **D18/34, 99; D15/127; 241/100, 34, 36; 271/9, 10; 83/859**

- 4,873,811 10/1989 Izumitani et al. 241/100
- 4,964,579 10/1990 Strohmeyer 241/100

OTHER PUBLICATIONS

Destroyit Brochure; p. 6.
 Shredmaster Corp. Brochure; pp. 6-8.
 Great Presentations; Early Summer 1987; p. 27; top right of pg.

Primary Examiner—A. Hugo Word
Assistant Examiner—Cathy Anne MacCormac
Attorney, Agent, or Firm—Kirschstein, Ottinger, Israel & Schiffmiller

[56] References Cited

U.S. PATENT DOCUMENTS

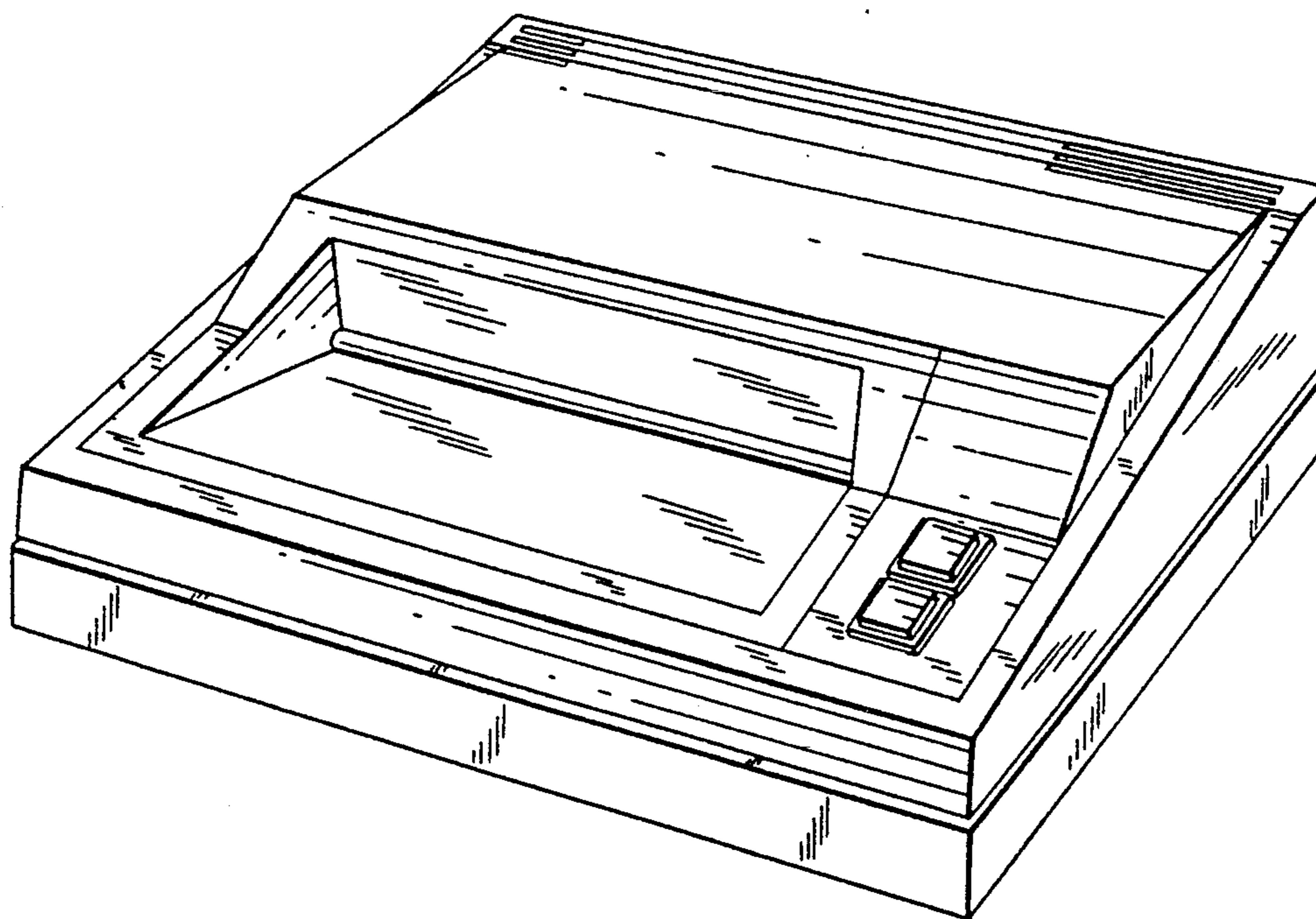
- D. 221,108 7/1971 Case D18/34
- D. 265,909 8/1982 Hatanaka D18/34
- D. 265,910 8/1982 Hatanaka D18/34
- D. 277,190 1/1985 Sadler D18/34
- D. 298,435 11/1988 Buteau D18/34
- 3,620,461 11/1971 Pelleschi 241/100
- 4,637,560 1/1987 Goldhammer 241/100
- 4,817,877 4/1989 Itoh et al. 241/34

[57] CLAIM

The ornamental design for a document shredder, as shown and described.

DESCRIPTION

FIG. 1 is a perspective view of a document shredder showing my new design;
 FIG. 2 is a top plan view thereof, the bottom being unornamented;
 FIG. 3 is a left side elevational view thereof, the right side being a mirror image of the left side shown;
 FIG. 4 is a front elevational view thereof; and,
 FIG. 5 is a rear elevational view thereof.



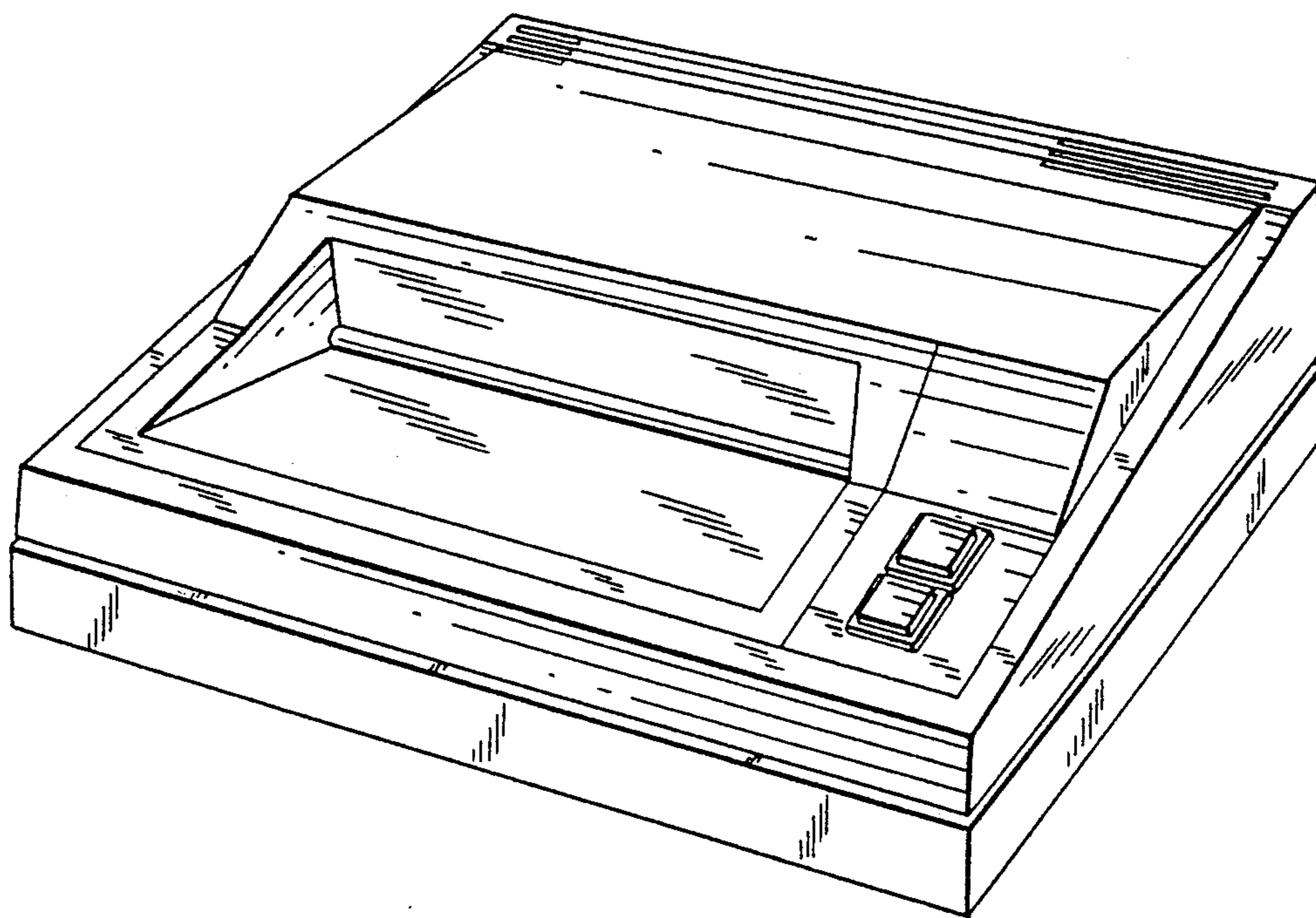


FIG. 1

FIG. 2

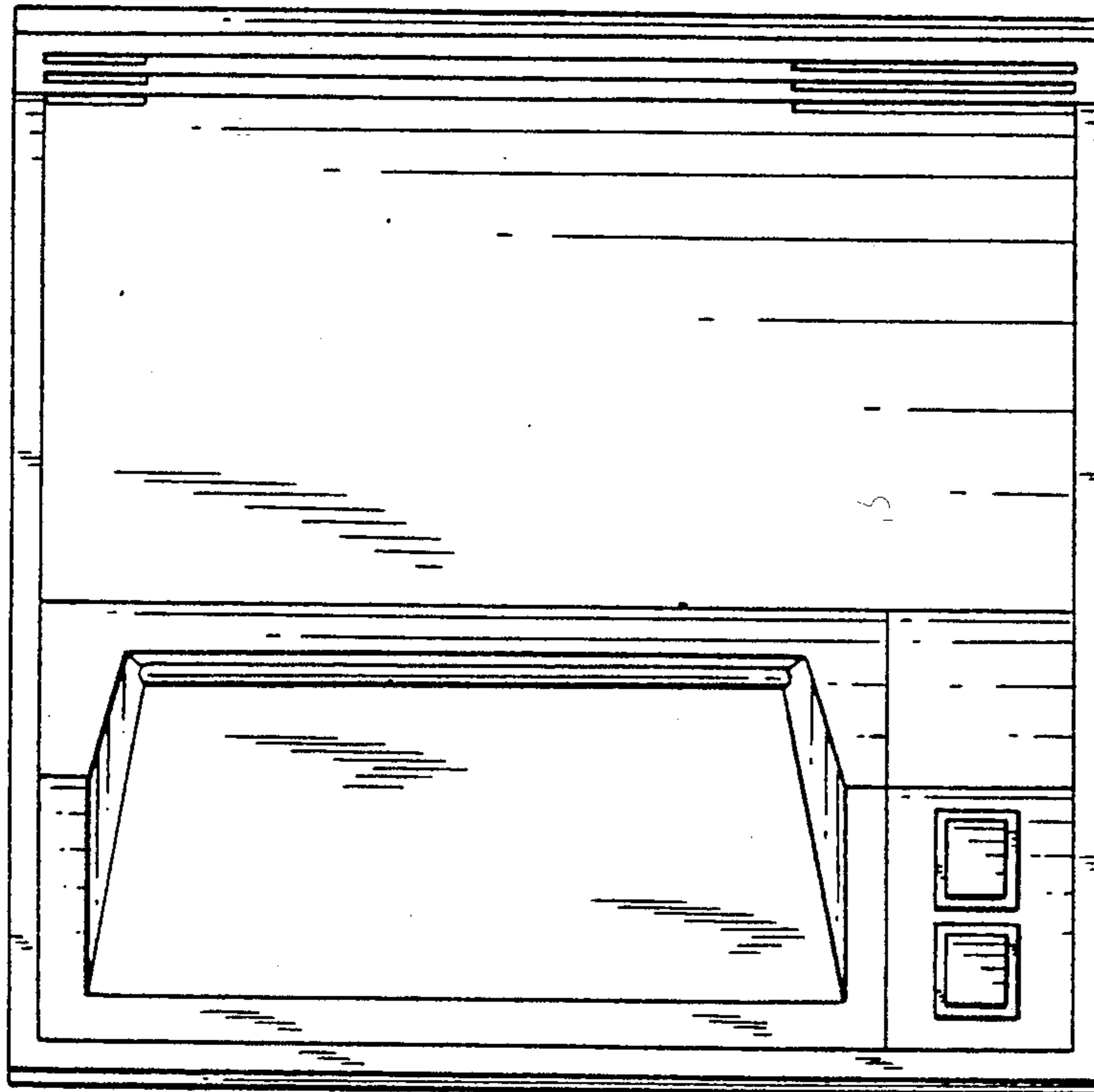
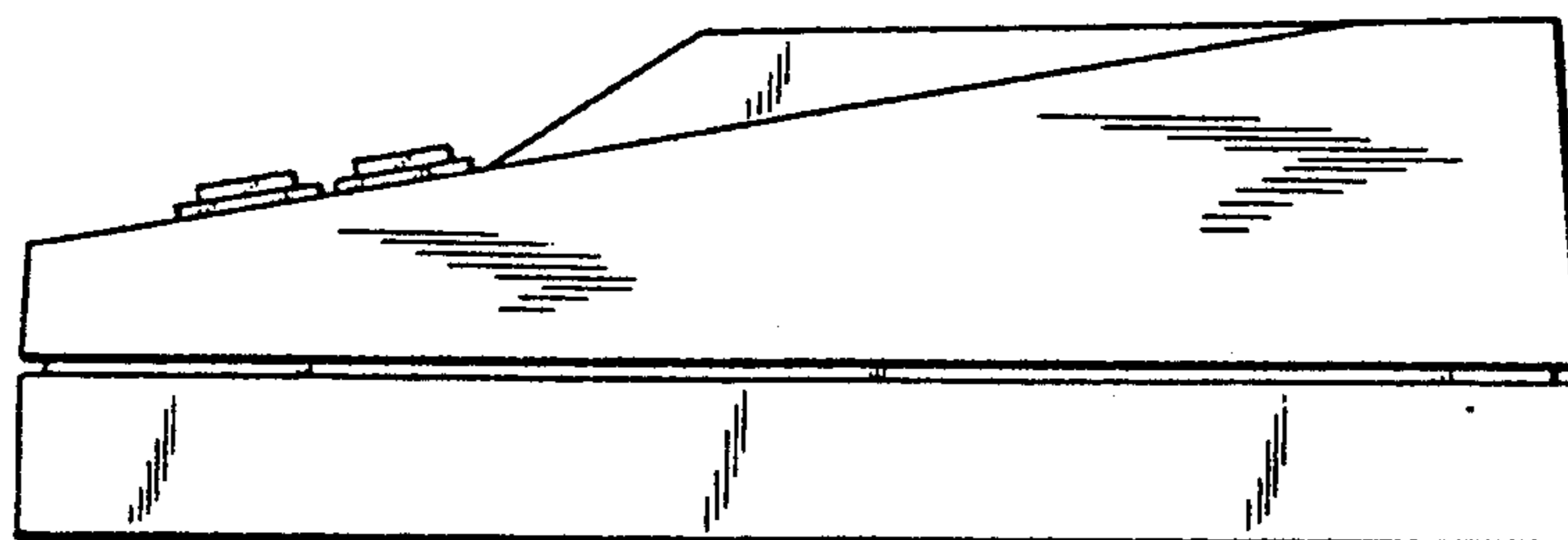


FIG. 3



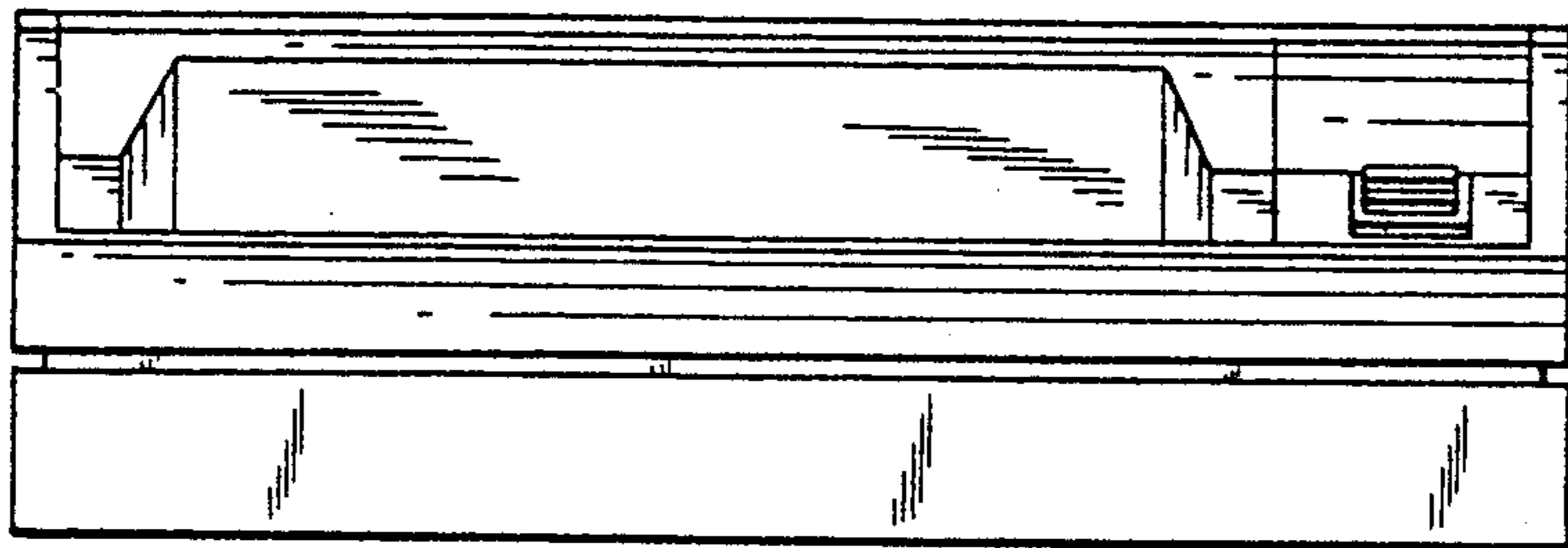


FIG. 4

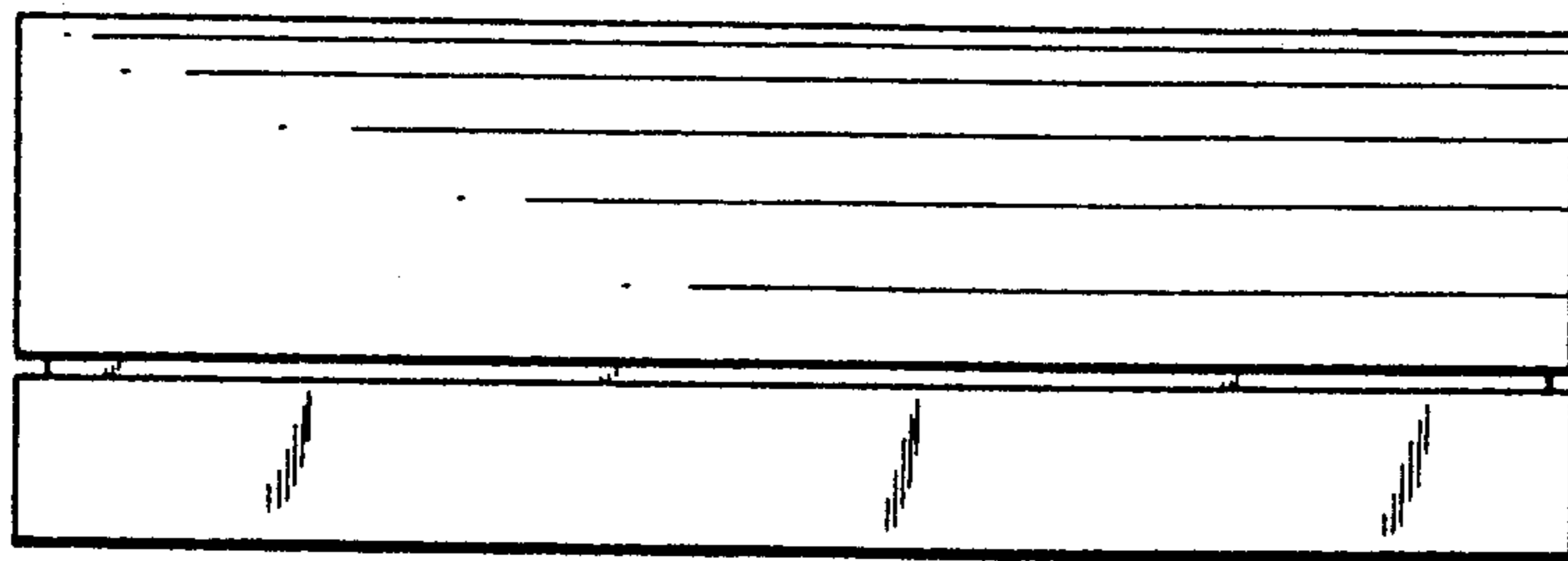


FIG. 5