



US00D325922S

United States Patent [19]

[11] Patent Number: Des. 325,922

Arai

[45] Date of Patent: ** May 5, 1992

[54] DISPOSABLE CAMERA

- [75] Inventor: Takuya Arai, Tokyo, Japan
- [73] Assignee: Fuji Photo Film Co., Ltd., Kanagawa, Japan
- [**] Term: 14 Years
- [21] Appl. No.: 483,785
- [22] Filed: Feb. 23, 1990

[30] Foreign Application Priority Data

- Sep. 29, 1989 [JP] Japan 1-35813
- [52] U.S. Cl. D16/208; D16/209; D9/418; D9/432
- [58] Field of Search D16/200, 201-204, D16/208, 209, 212, 217, 218, 213; D9/307, 414, 432; 354/75, 126, 152, 202, 288, 149.11

[56] References Cited

U.S. PATENT DOCUMENTS

- D. 228,681 10/1973 Swayze D16/213
- D. 313,183 12/1990 Arai D16/208
- D. 315,727 3/1991 Arai et al. D14/121
- 4,882,600 11/1989 Van De Moere 354/64
- 5,003,330 3/1991 Kotani et al. 354/288

FOREIGN PATENT DOCUMENTS

- 2081460 2/1982 United Kingdom 354/149.11

OTHER PUBLICATIONS

- "Fuji Puts a Lens-Fitted Photographic Film Package on Sale", *Japan Economic News*, May 28, 1986, p. 8.
- "It Takes Pictures Without a Camera", *International Business Week*, Jun. 16, 1986, edited by S. Siwolop, p. 92.
- "High-Quality 'Utsurun-Desu'", *Tokyo News*, Jun. 2, 1987, p. 5.
- "It Takes Pictures Even in the Dark!", *Japan Industrial News*, Nov. 5, 1987, p. 9.

Primary Examiner—Bernard Ansher
 Assistant Examiner—Adir Aronovich
 Attorney, Agent, or Firm—Young & Thompson

[57] CLAIM

The ornamental design for a disposable camera, as shown and described.

DESCRIPTION

FIG. 1 is a top front perspective view of a disposable camera showing my new design;
 FIG. 2 is a front elevational view thereof;
 FIG. 3 is a rear elevational view thereof;
 FIG. 4 is a top plan view thereof;
 FIG. 5 is a bottom plan view thereof;
 FIG. 6 is a left side elevational view thereof;
 FIG. 7 is a right side elevational view thereof; and,
 FIG. 8 is a top front view thereof, the target finder being in raised position.

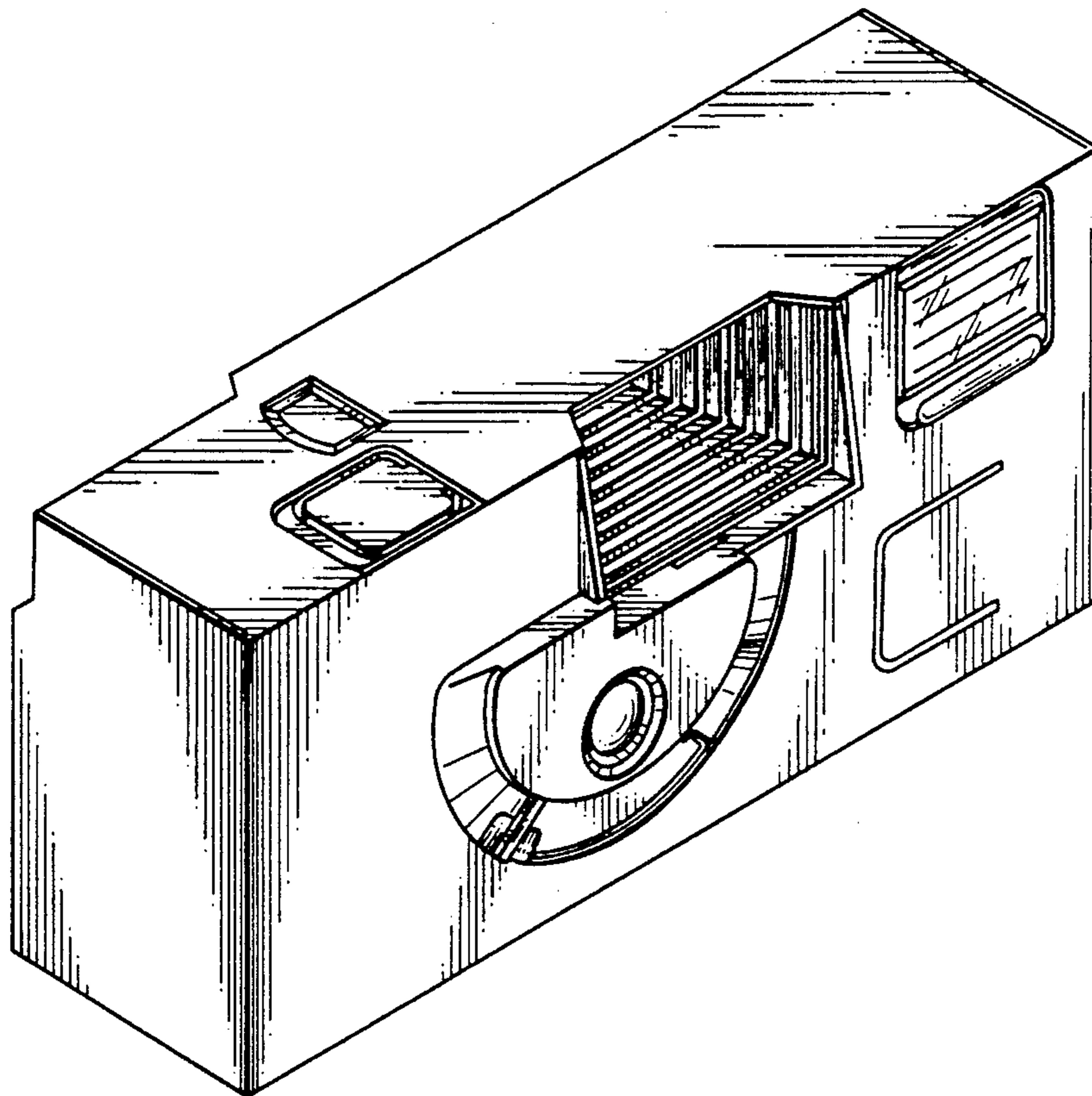


FIG. 1

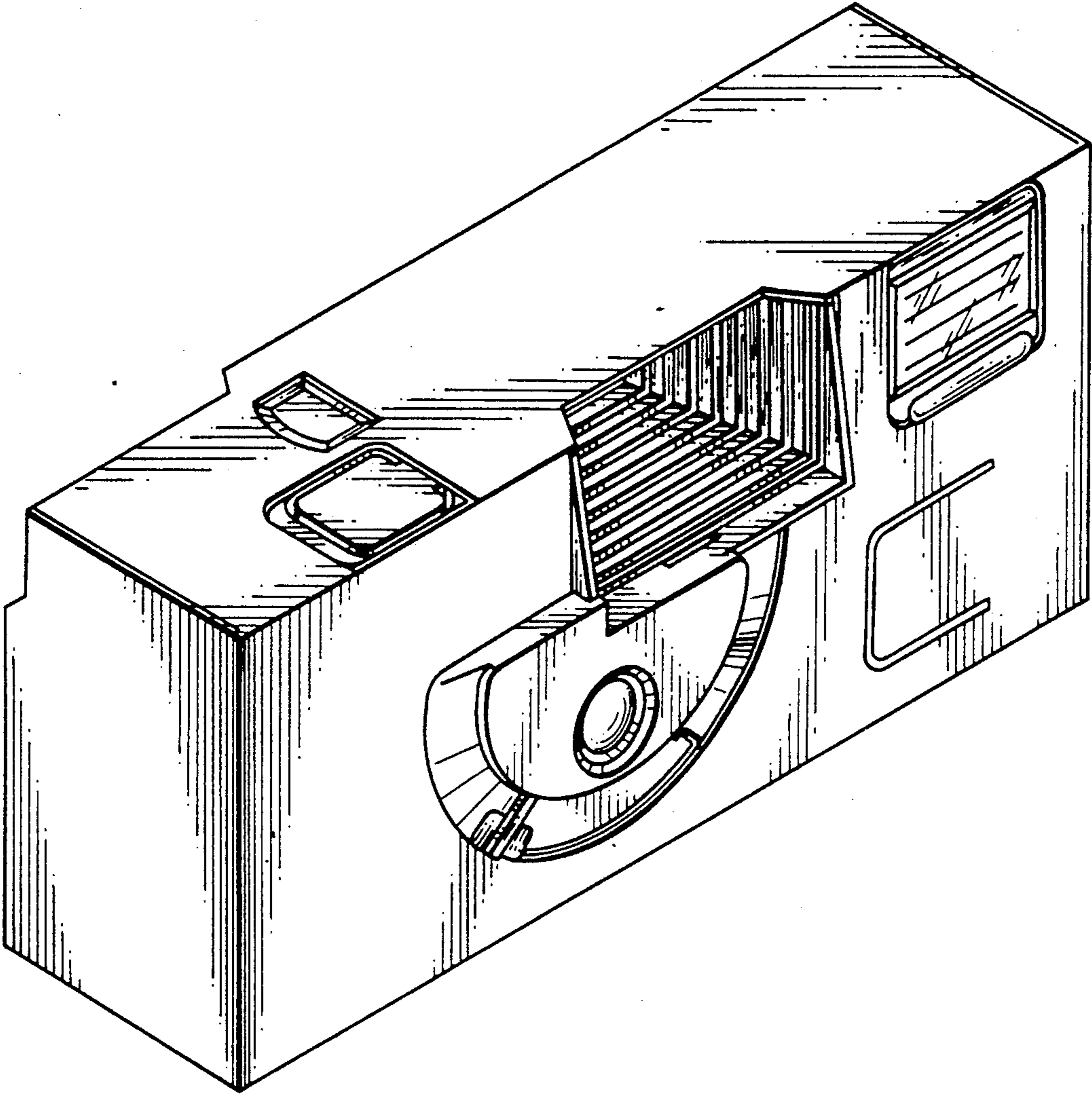


FIG. 2

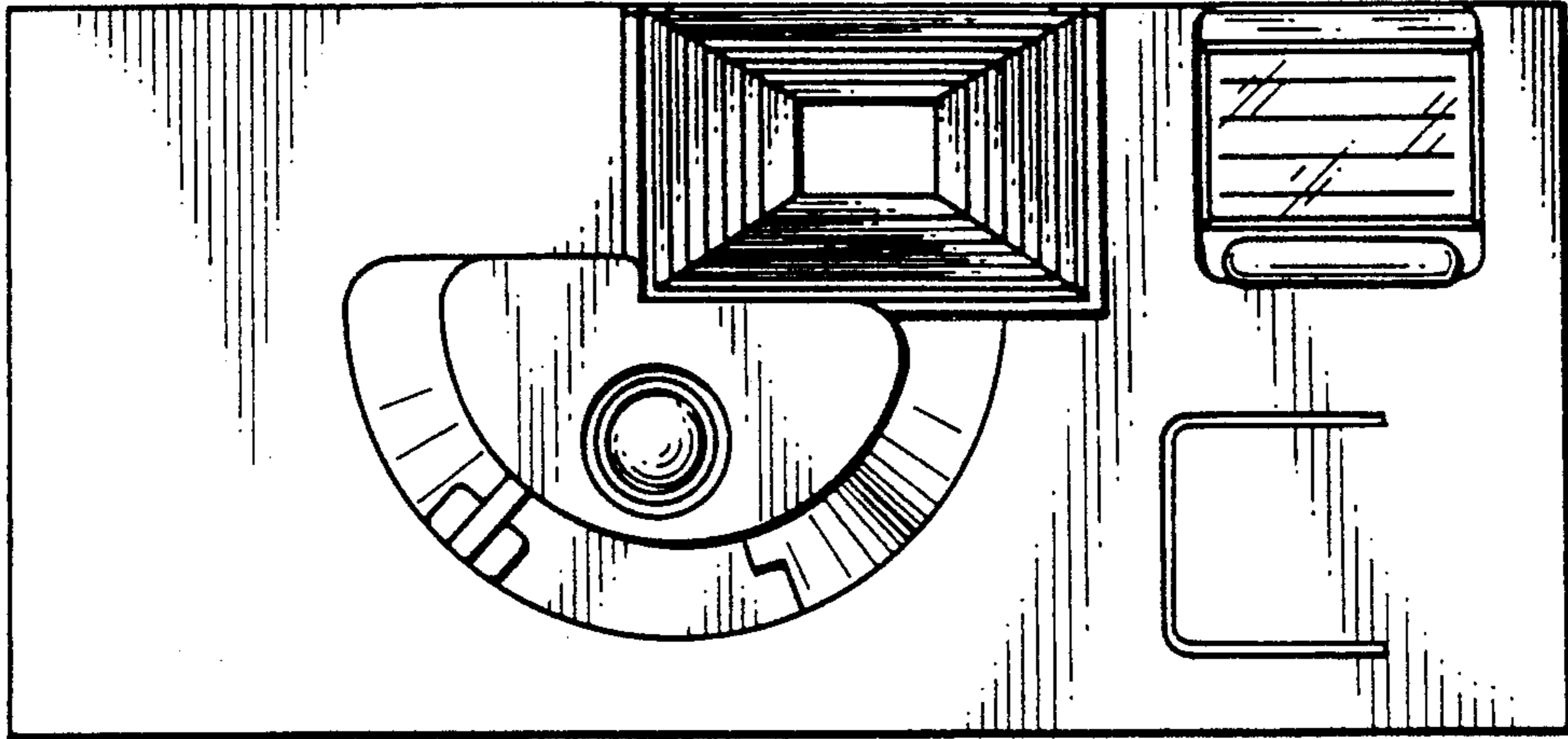


FIG. 3

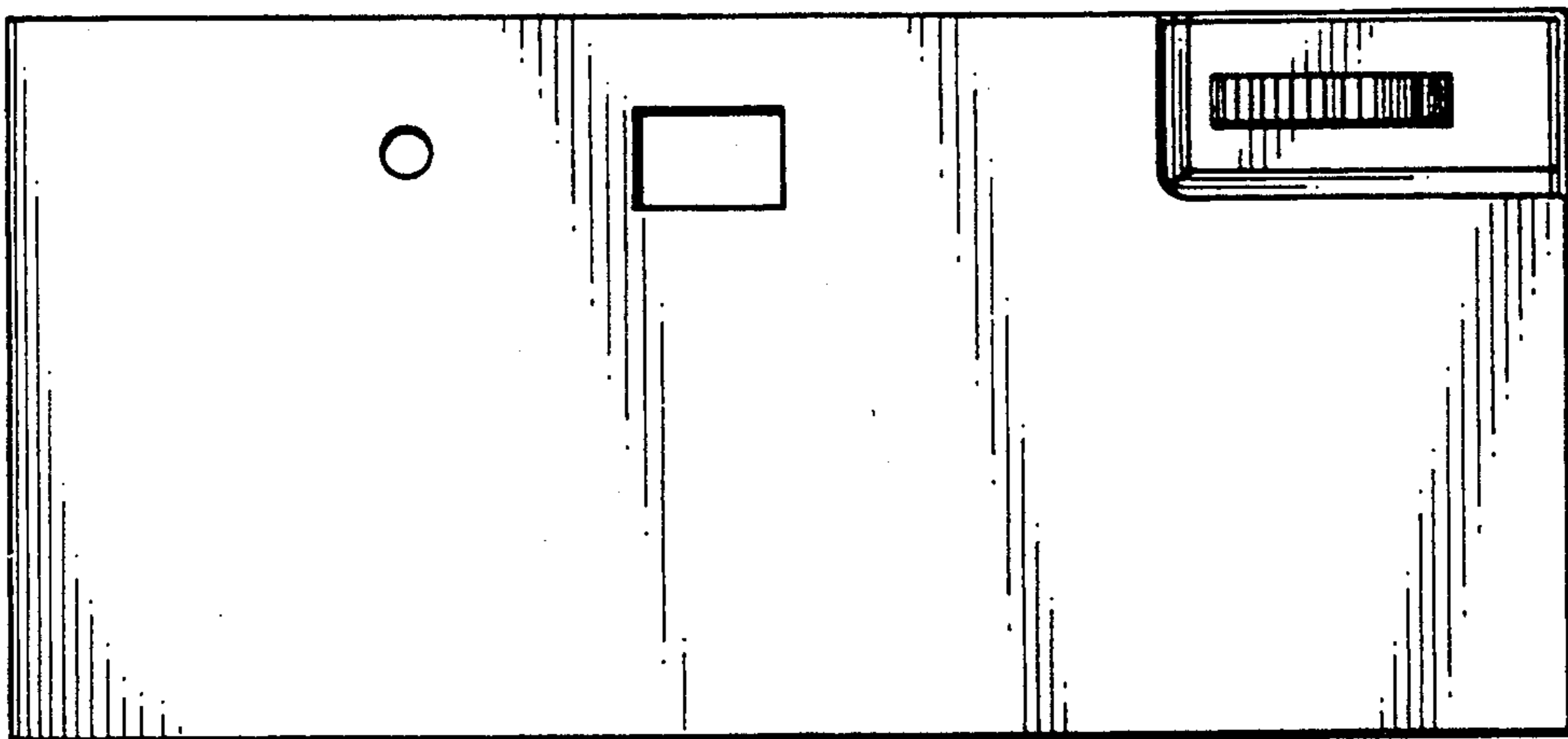


FIG. 4

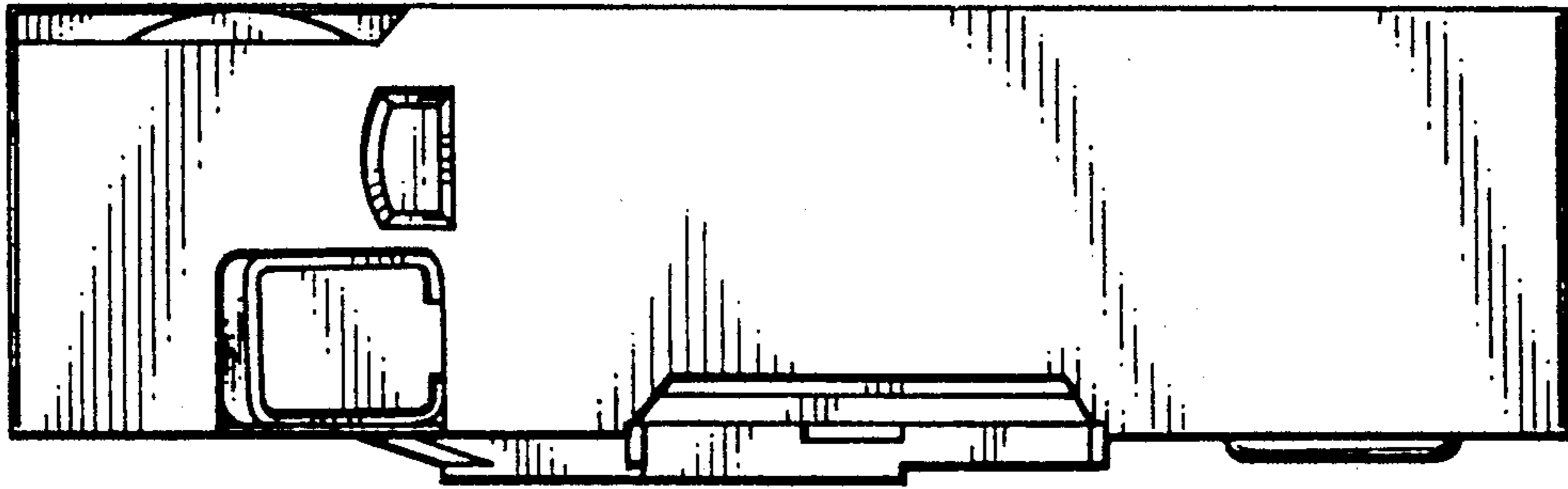


FIG. 5

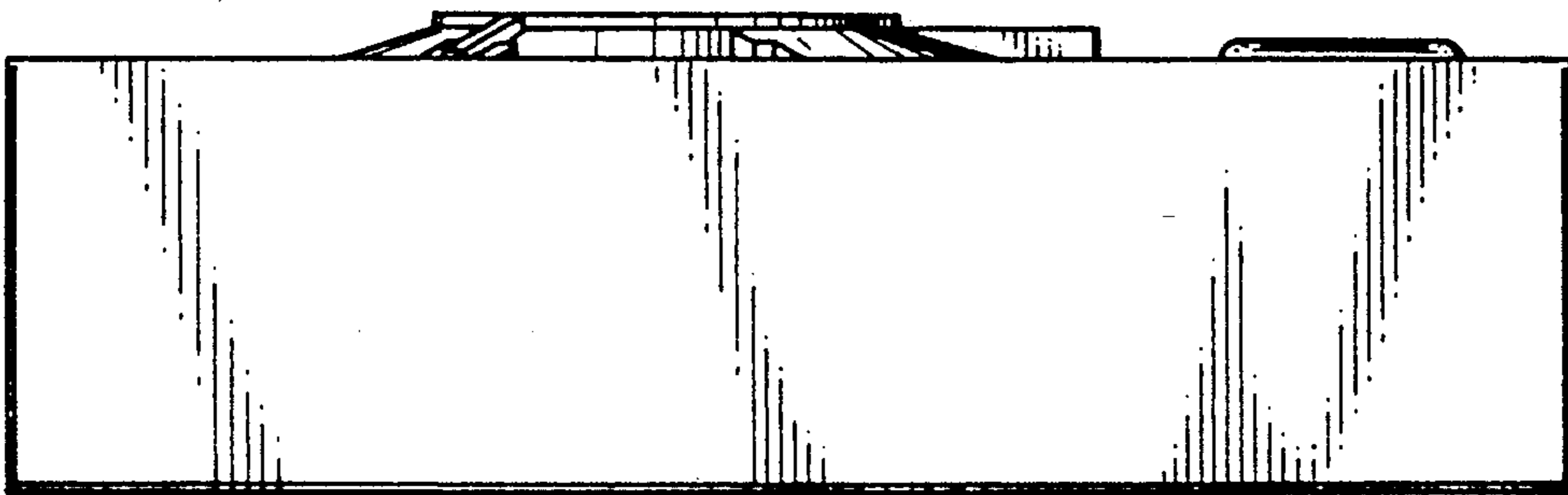


FIG. 6

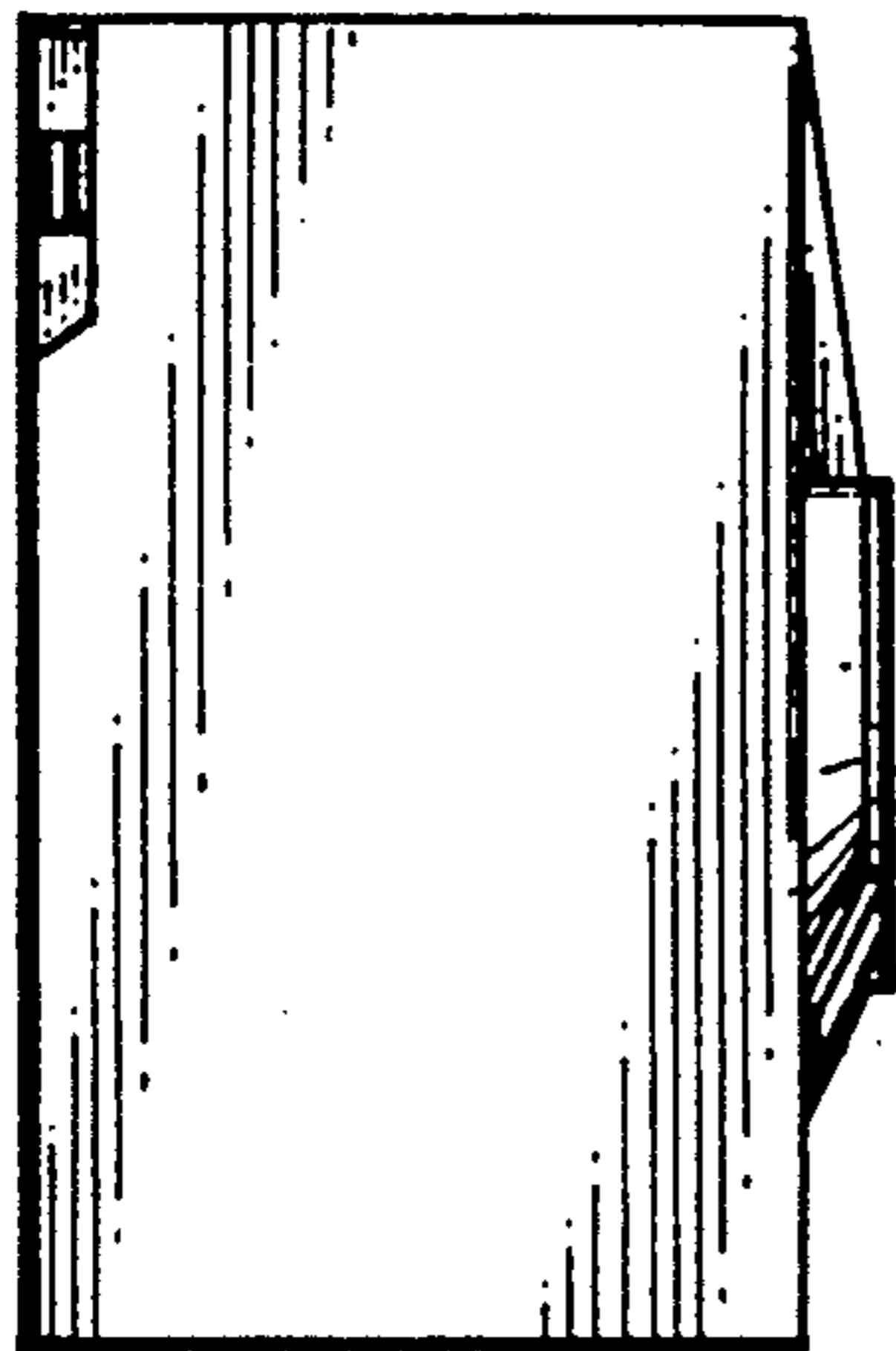


FIG. 7

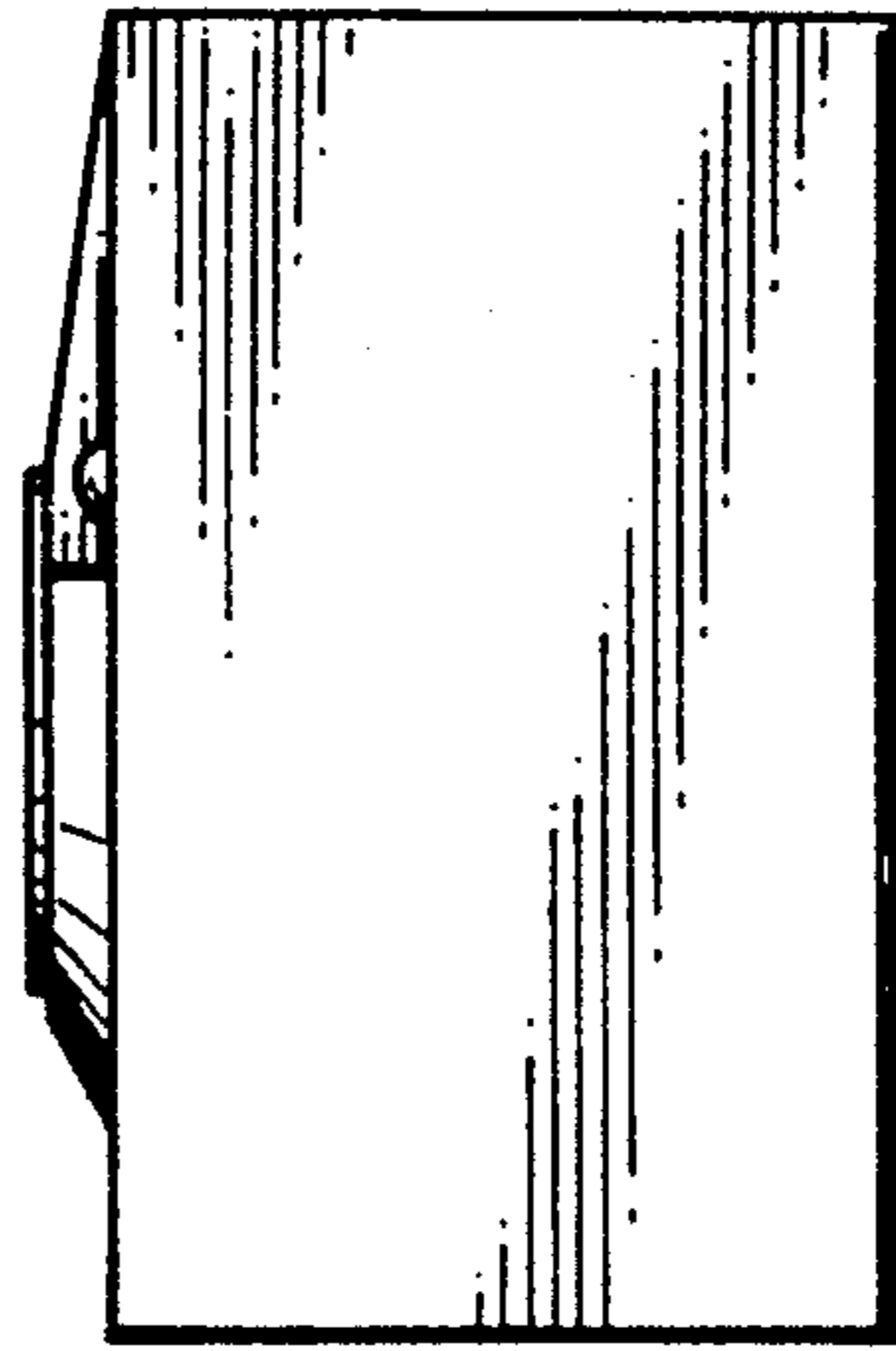


FIG. 8

