



US00D325912S

United States Patent [19]

[11] Patent Number: Des. 325,912

Sakai et al.

[45] Date of Patent: ** May 5, 1992

[54] DISPLAY PAGER

[56] References Cited

[75] Inventors: Takahiro Sakai; Toshiaki Mizushima, both of Tokyo, Japan

U.S. PATENT DOCUMENTS

D. 272,244 1/1984 Scheid D14/191
 D. 284,472 7/1986 Nakatani et al. D14/191
 D. 307,012 4/1990 Berkheij D14/191
 D. 311,188 10/1990 Oyamada et al. D14/191

[73] Assignee: NEC Corporation, Tokyo, Japan

Primary Examiner—Theodore M. Shooman
Attorney, Agent, or Firm—Sughrue, Mion, Zinn, Macpeak & Seas

[**] Term: 14 Years

[57] CLAIM

[21] Appl. No.: 625,616

The ornamental design for a display pager, as shown.

[22] Filed: Dec. 11, 1990

DESCRIPTION

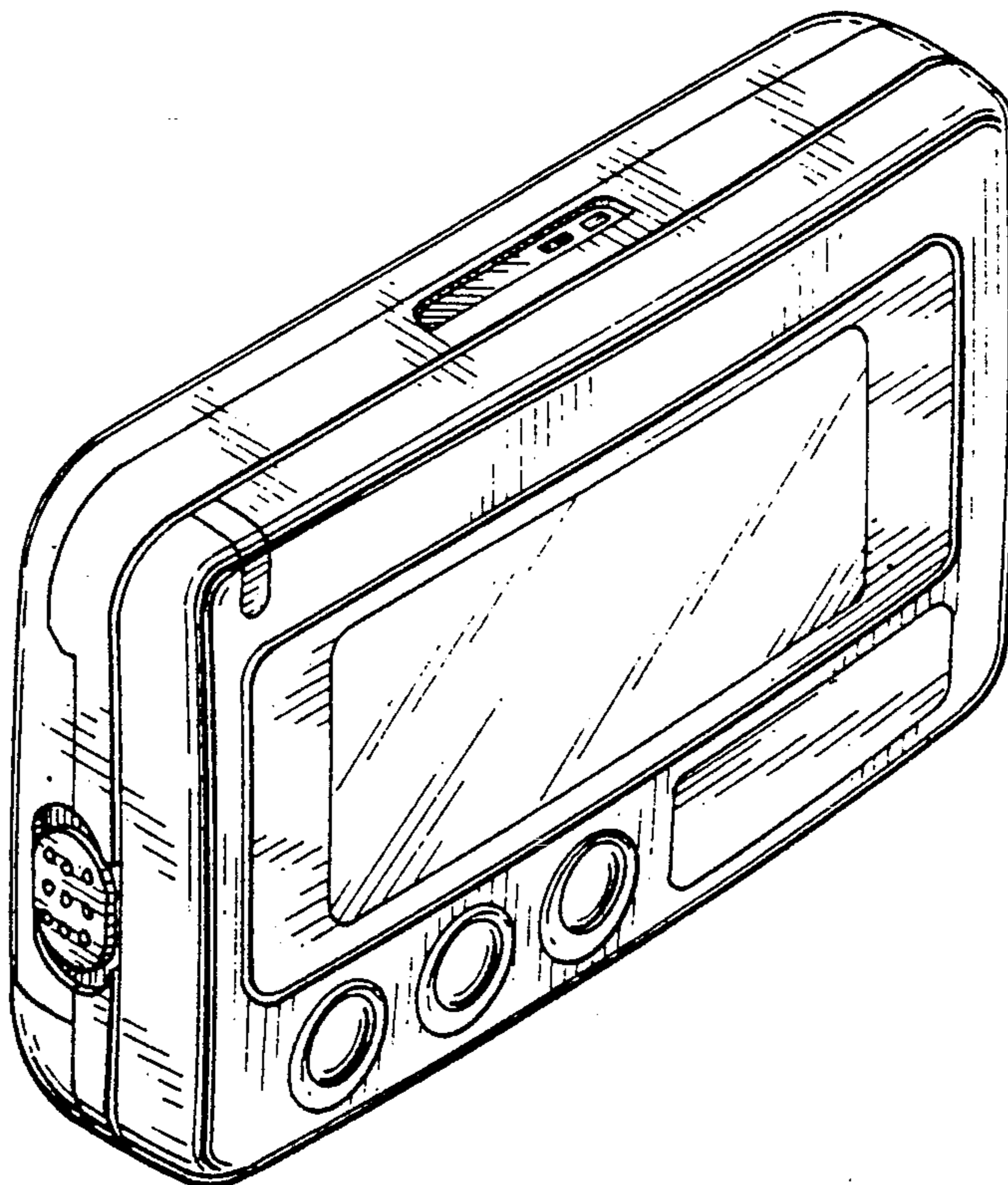
[30] Foreign Application Priority Data

FIG. 1 is a front, top and left side perspective view of a display pager showing our new design;
 FIG. 2 is a front elevational view thereof;
 FIG. 3 is a rear elevational view thereof;
 FIG. 4 is a top plan view thereof;
 FIG. 5 is a bottom plan view thereof;
 FIG. 6 is a right side elevational view thereof; and
 FIG. 7 is a left side elevational view thereof.

Jun. 12, 1990 [JP] Japan 1-19701

[52] U.S. Cl. D14/191

[58] Field of Search D14/124, 137, 163, 168, D14/171, 188-198, 265, 299; 455/344, 347, 350-351, 92, 100, 128



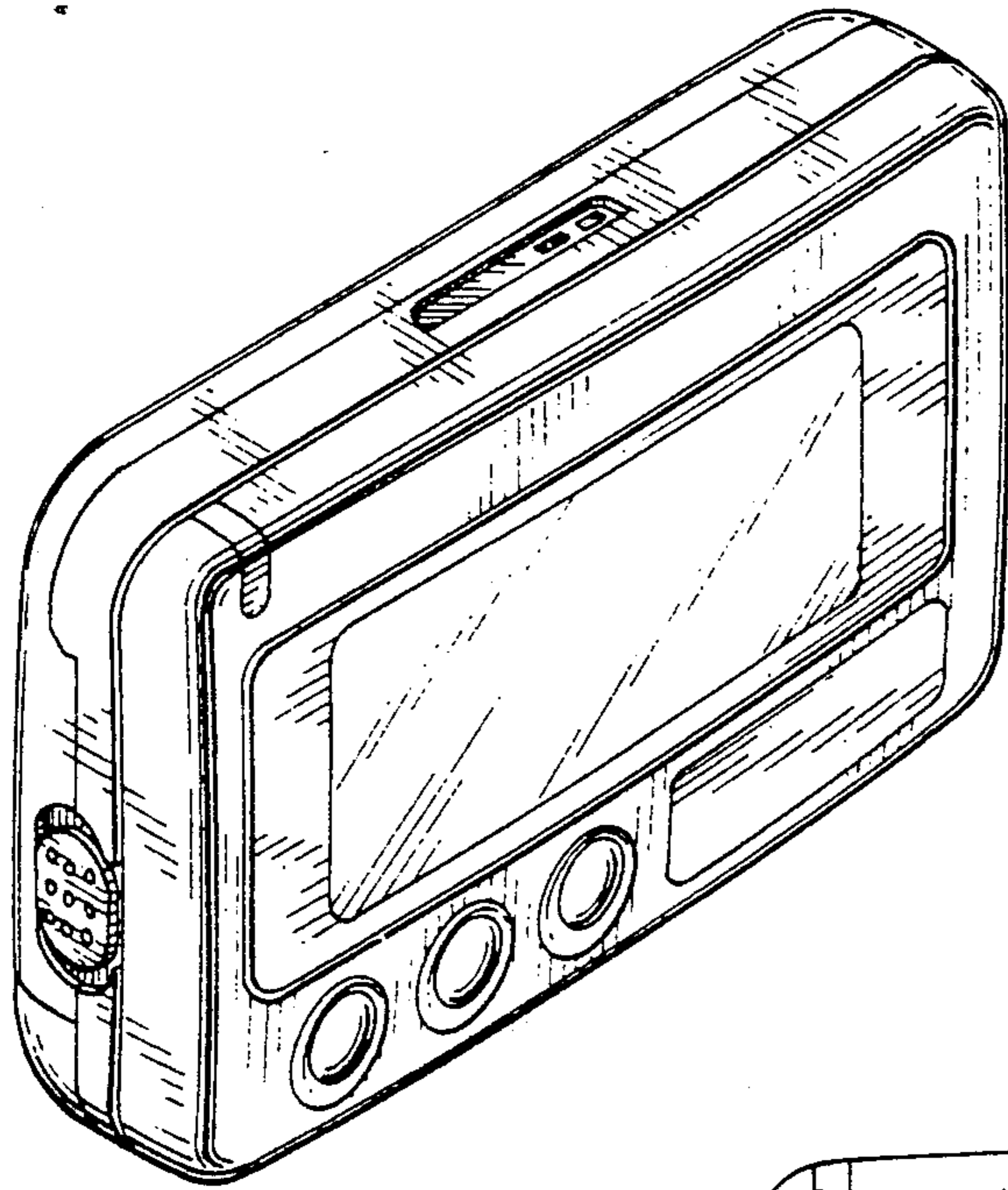


FIG. 1

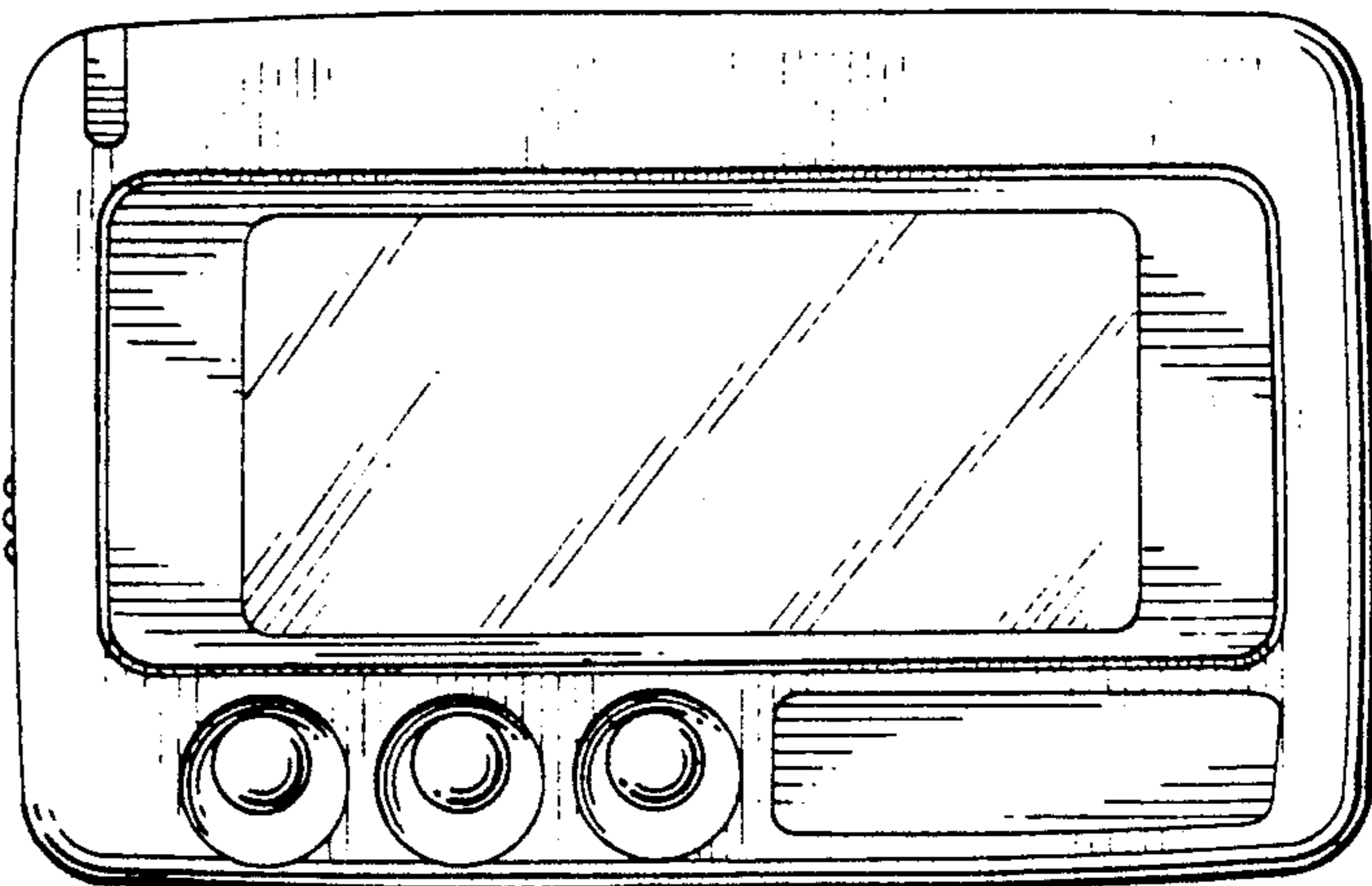


FIG. 2

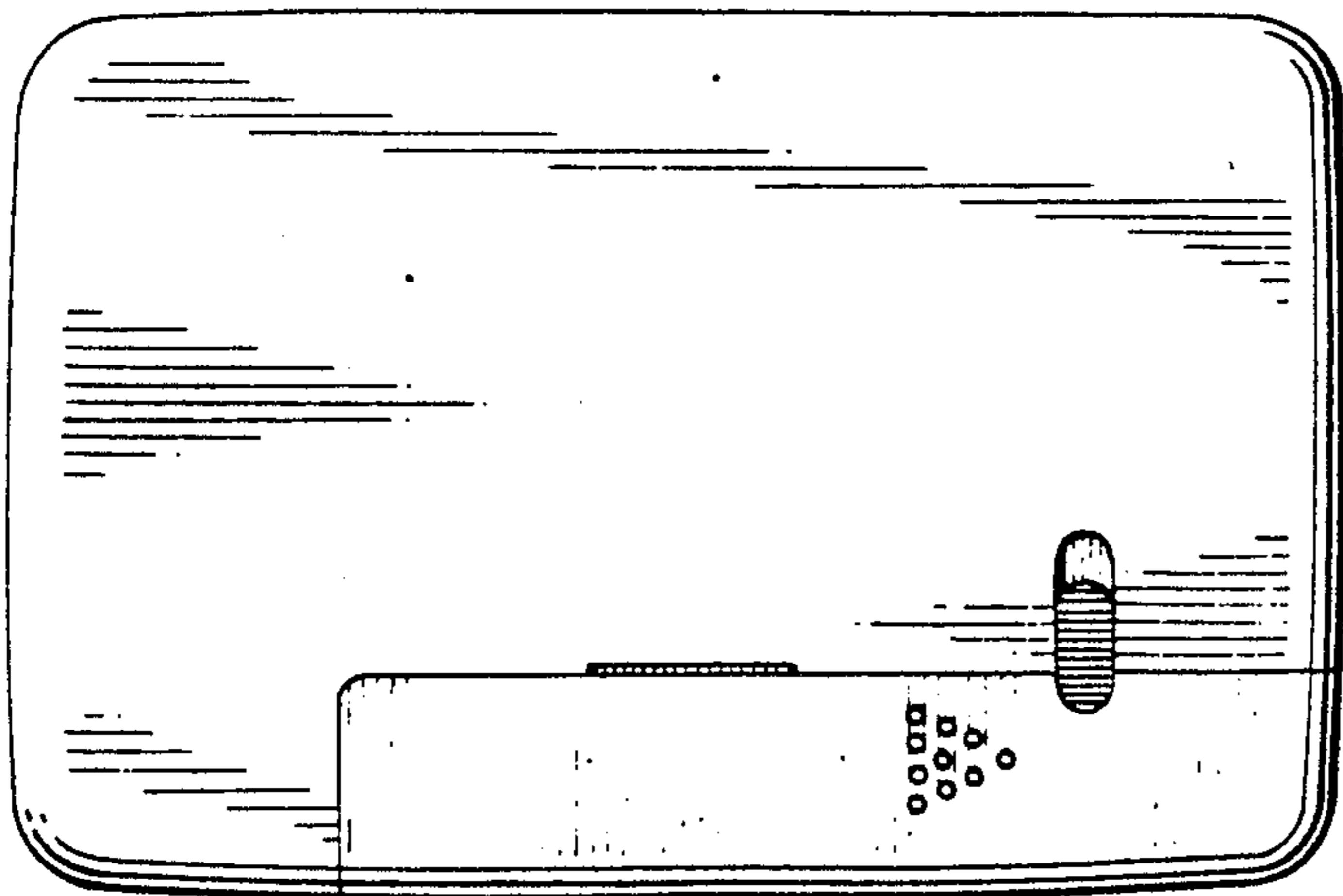


FIG. 3

FIG. 4

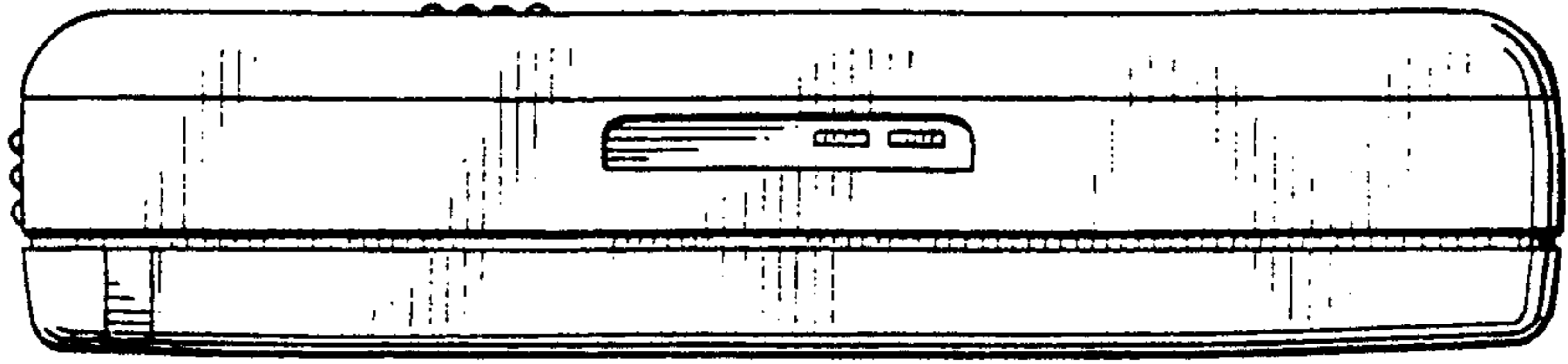


FIG. 5

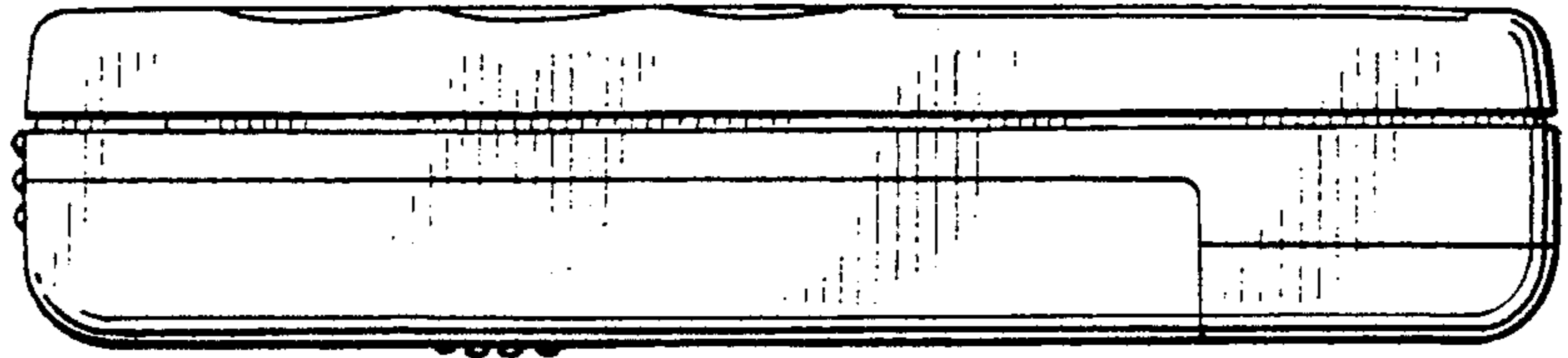


FIG. 6

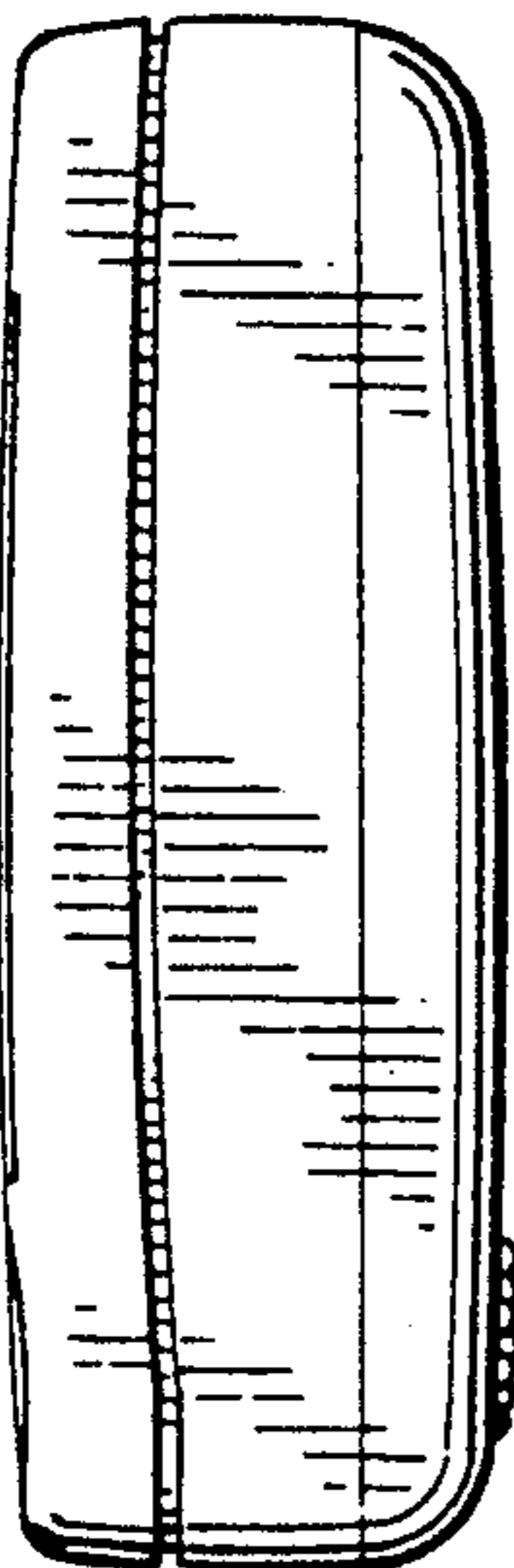


FIG. 7

