



US00D325909S

United States Patent [19]

Shambley et al.

[11] Patent Number: **Des. 325,909**

[45] Date of Patent: **** May 5, 1992**

- [54] **COMBINED MOBILE CELLULAR TELEPHONE HANDSET AND TRANSPORTER**
- [75] Inventors: **David A. Shambley, Carrollton, Tex.; Tsutomu Okawa, Tokyo, Japan; Douglas N. Laube, Nevada, Tex.**
- [73] Assignee: **NEC America, Inc., Melville, N.Y.**
- [**] Term: **14 Years**
- [21] Appl. No.: **710,898**
- [22] Filed: **May 31, 1991**
- [52] U.S. Cl. **D14/138**
- [58] Field of Search **D14/138, 150; 379/58**

- [56] **References Cited**
- U.S. PATENT DOCUMENTS**
- D. 305,232 12/1989 Sutoh D14/150 X
- D. 308,058 5/1990 Hotsumi et al. D14/138
- D. 319,052 8/1991 Major D14/138
- D. 319,438 8/1991 Suckley D14/138
- D. 321,185 10/1991 Gee D14/138
- 4,881,258 11/1989 Kaiwa et al. 379/58

- FOREIGN PATENT DOCUMENTS**
- 3405448 8/1985 Fed. Rep. of Germany 379/141

- OTHER PUBLICATIONS**
- New York Times; Oct. 30, 1984; Motorola Ad showing

four models of cellular car phones; 8000X, 6000X, 4000 car; 2000X car phone. Telephony, 16 Jan. 1984, p. 107; Anritsu Magnetic-card Public Pay by card telephone.

Primary Examiner—Horace B. Fay, Jr.
Attorney, Agent, or Firm—Sughrue, Mion, Zinn, Macpeak & Seas

[57] CLAIM

The ornamental design for a combined mobile cellular telephone handset and transporter, as shown and described.

DESCRIPTION

FIG. 1 is a top plan view of a combined mobile cellular telephone handset and transporter showing our new design;

FIG. 2 is a left side elevational view thereof;

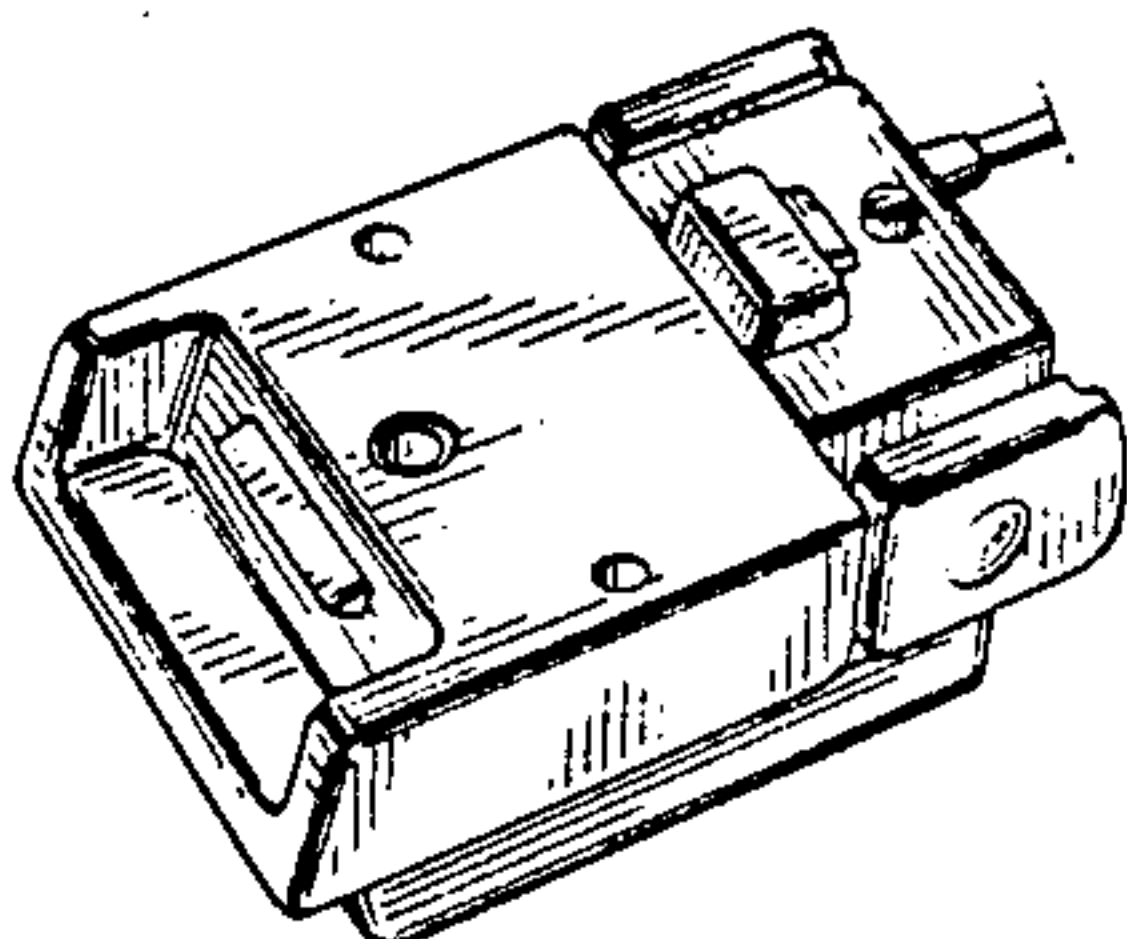
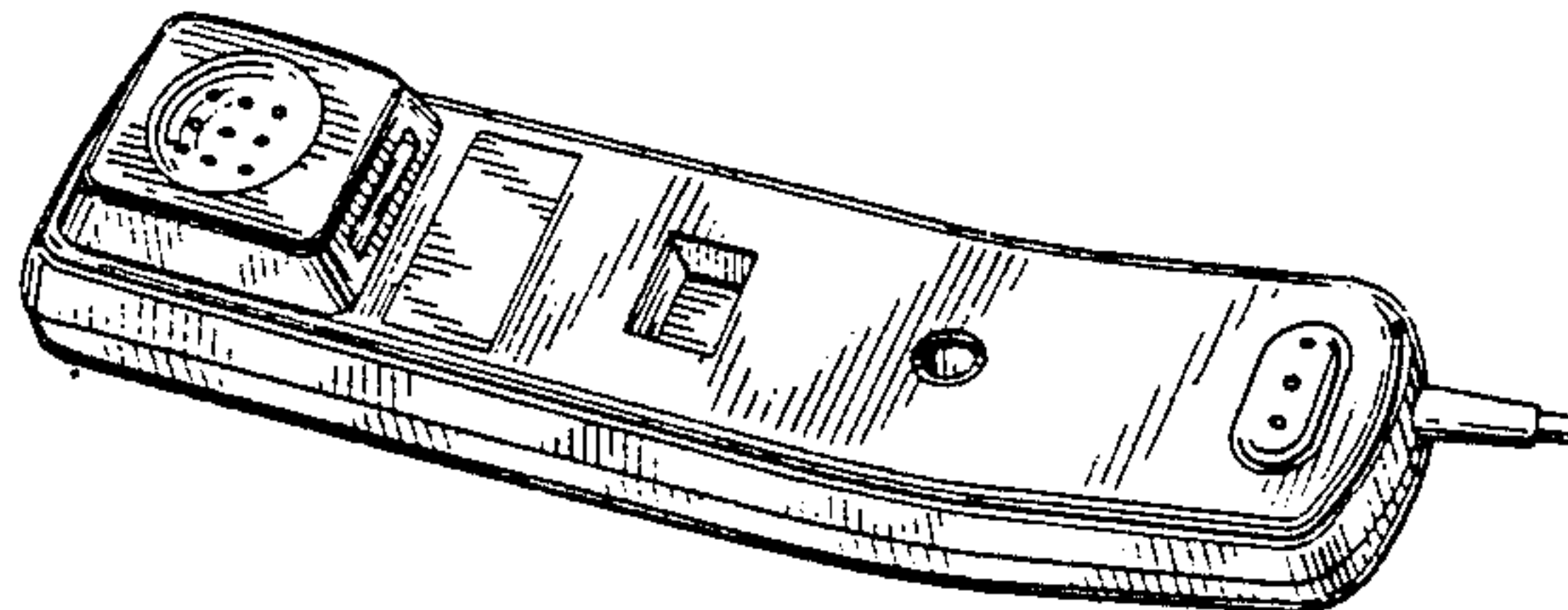
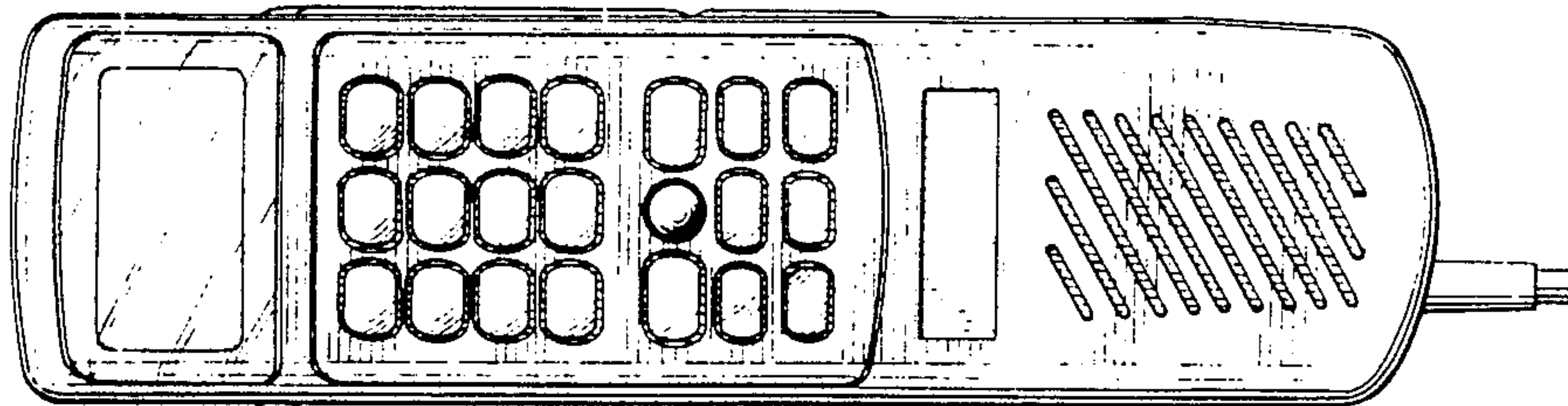
FIG. 3 is a bottom plan view thereof;

FIG. 4 is a front elevational view thereof;

FIG. 5 is a rear elevational view thereof;

FIG. 6 is an exploded perspective view of the mobile cellular telephone handset and transporter; and,

FIG. 7 is a top plan view of a further embodiment of the combined mobile cellular telephone handset and transporter of the present invention. The further embodiment is in all other views essentially identical to that of the first embodiment.



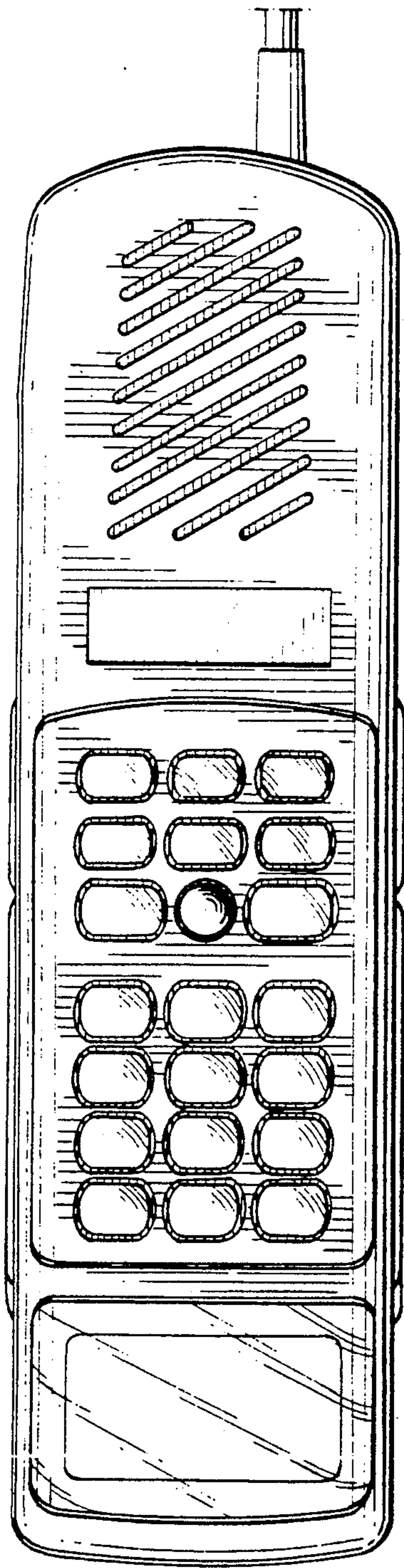


FIG. 1

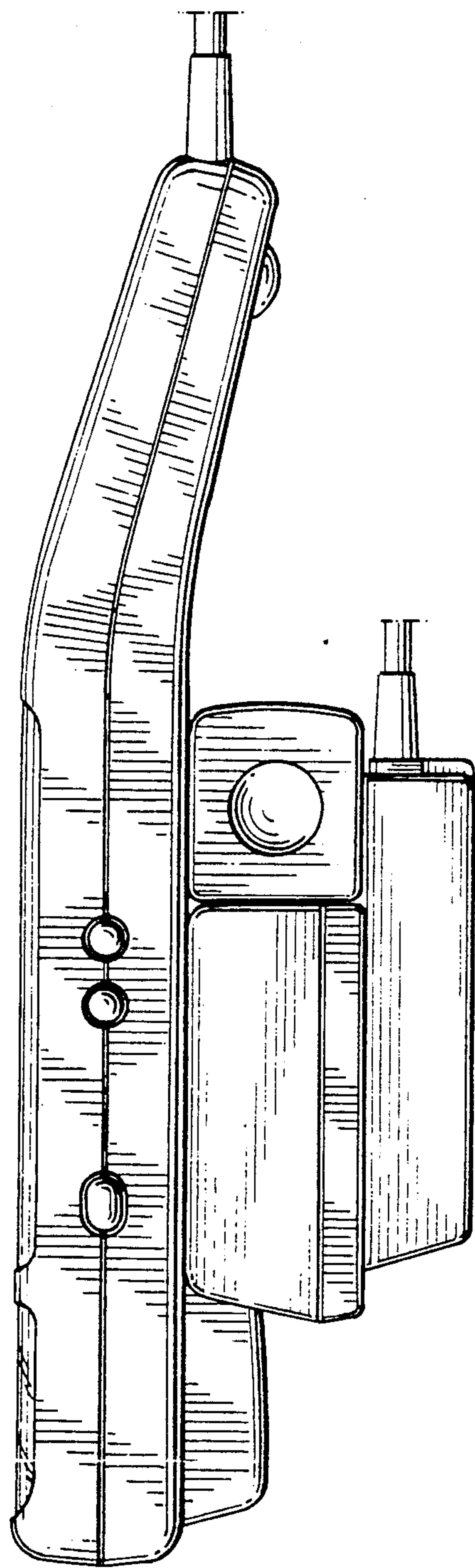


FIG. 2

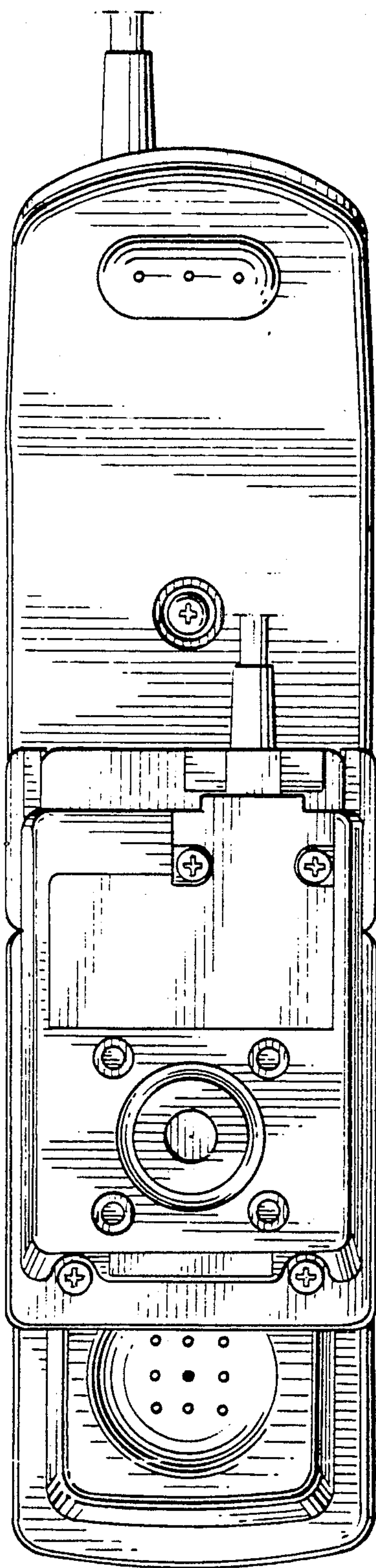


FIG. 3

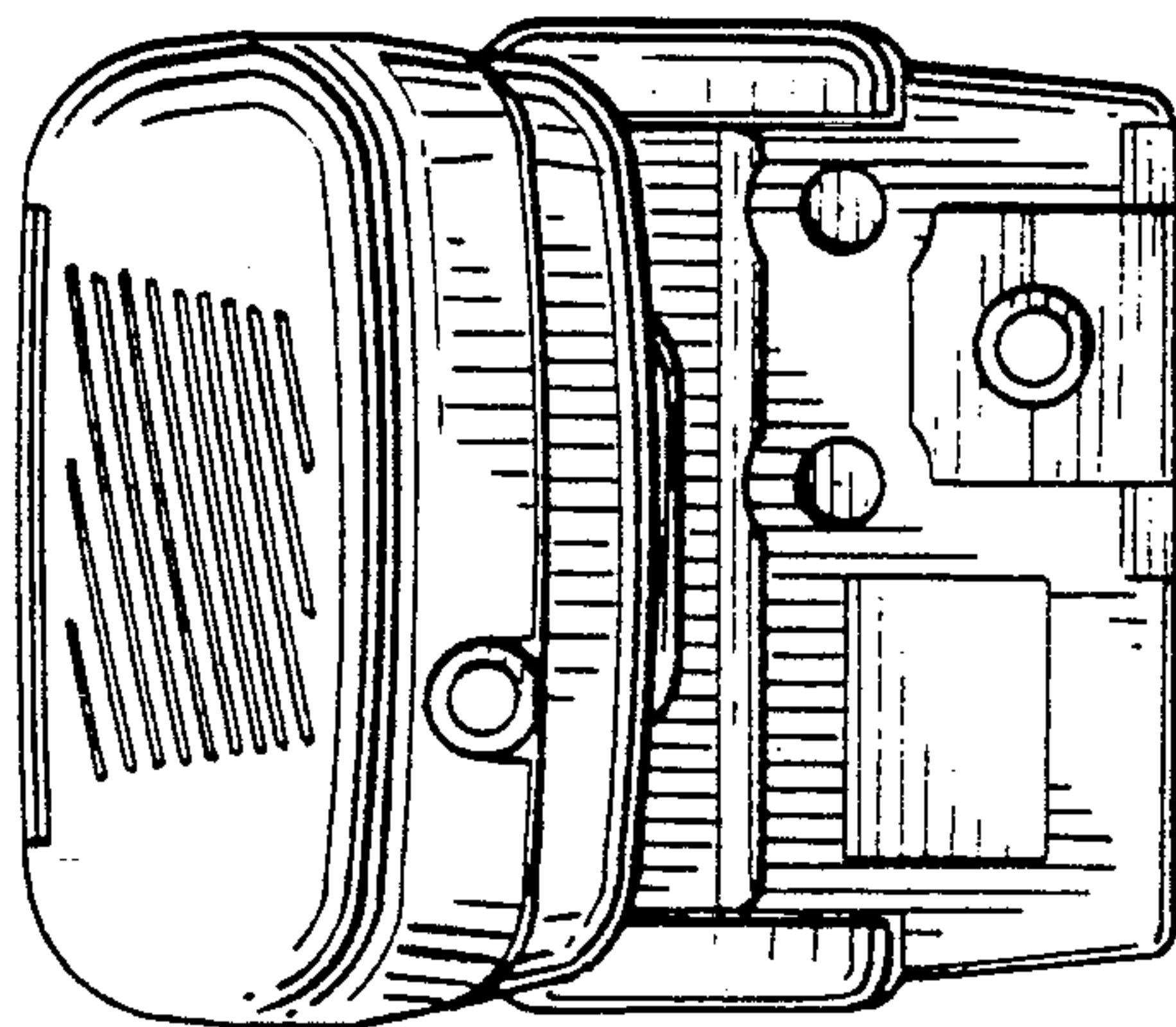


FIG. 5

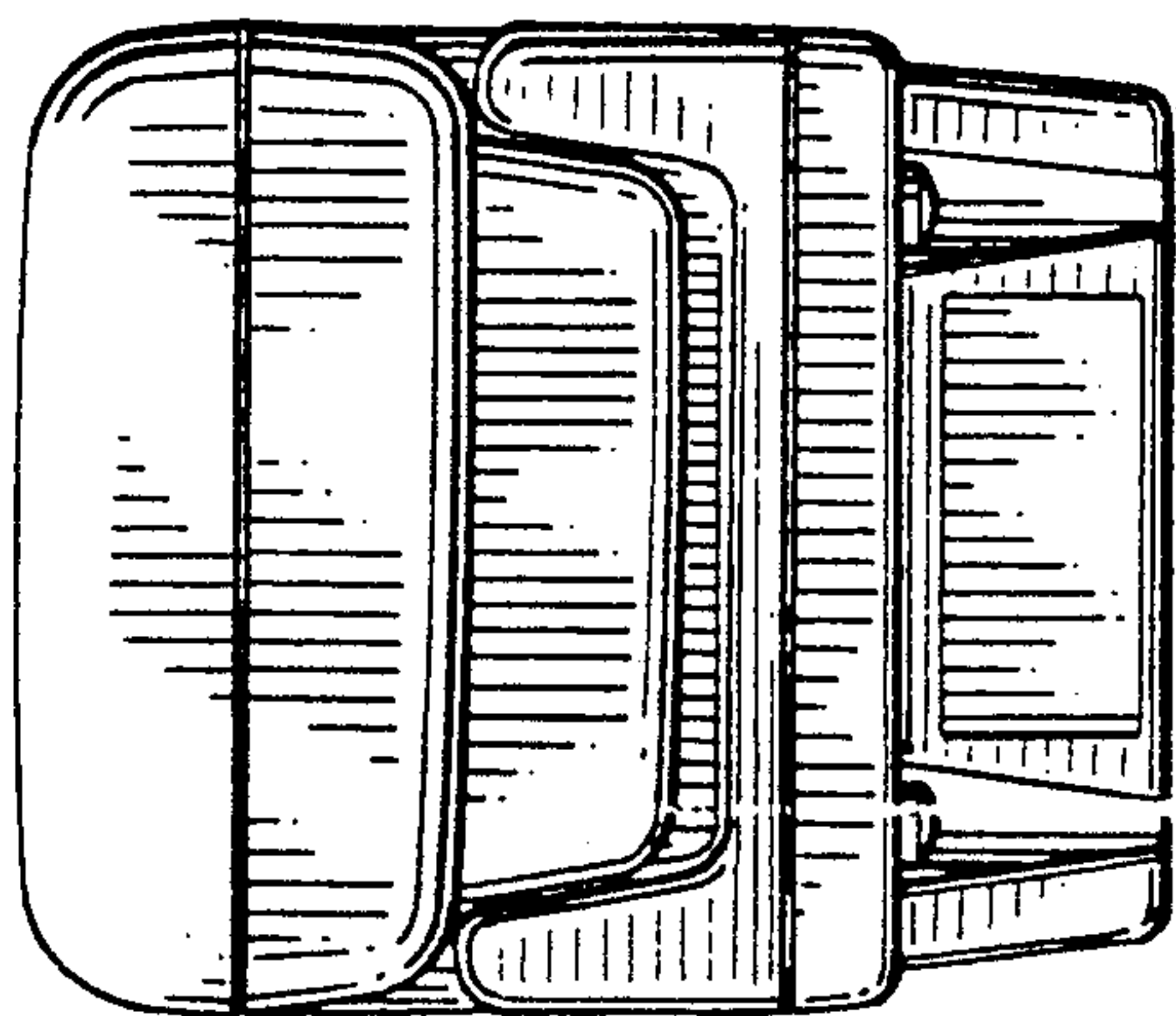


FIG. 4

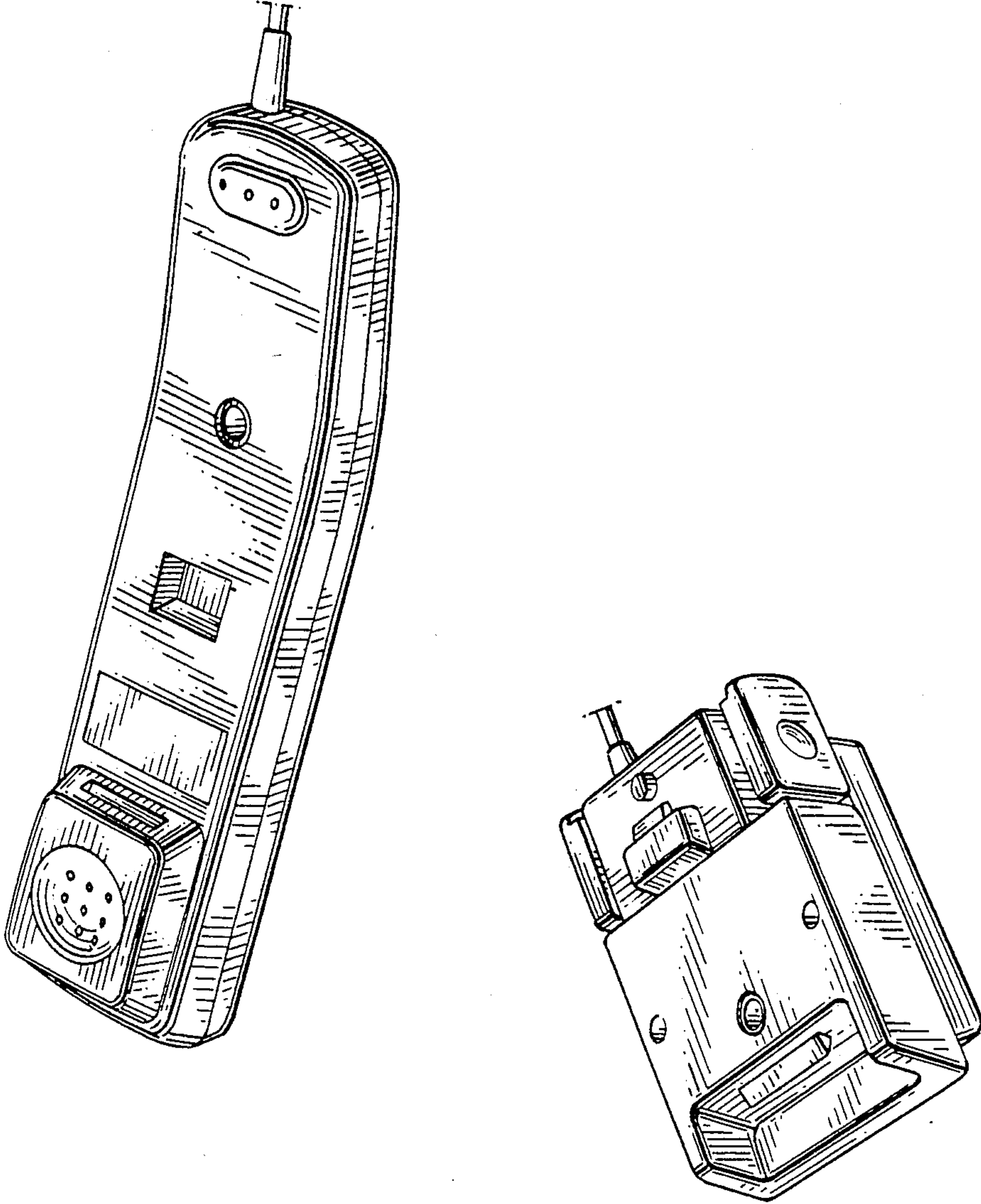


FIG. 6

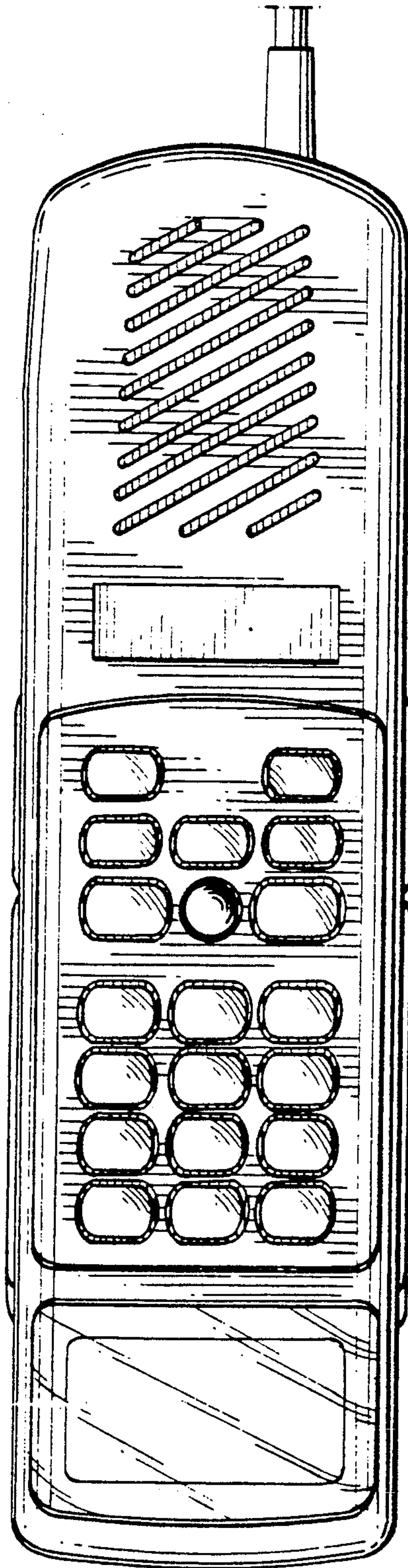


FIG. 7