



US00D325904S

# United States Patent [19]

[11] Patent Number: Des. 325,904

Prince, III

[45] Date of Patent: \*\* May 5, 1992

[54] RECEIVER-PRINTER INTERFACE FOR A FACSIMILE

D. 309,600	7/1990	Backes	.....	D13/162
D. 309,731	8/1990	Takai	.....	D14/107
D. 312,627	12/1990	Gutzmer	.....	D14/107

[75] Inventor: Edward R. Prince, III, San Francisco, Calif.

Primary Examiner—Theodore M. Shooman

[73] Assignee: Hybrid Fax, Inc.

### [57] CLAIM

[\*\*] Term: 14 Years

The ornamental design for a receiver-printer interface for a facsimile, as shown and described.

[21] Appl. No.: 312,920

### DESCRIPTION

[22] Filed: Feb. 17, 1989

FIG. 1 is a top, front and left side perspective view of a receiver-printer interface for a facsimile showing my new design;

[52] U.S. Cl. .... D14/118; D14/107; D13/162

FIG. 2 is a front elevational view thereof;

[58] Field of Search ..... D14/107, 109, 118, 124, D14/217, 299; D18/22, 36, 37; D13/162, 184

FIG. 3 is a rear elevational view thereof;

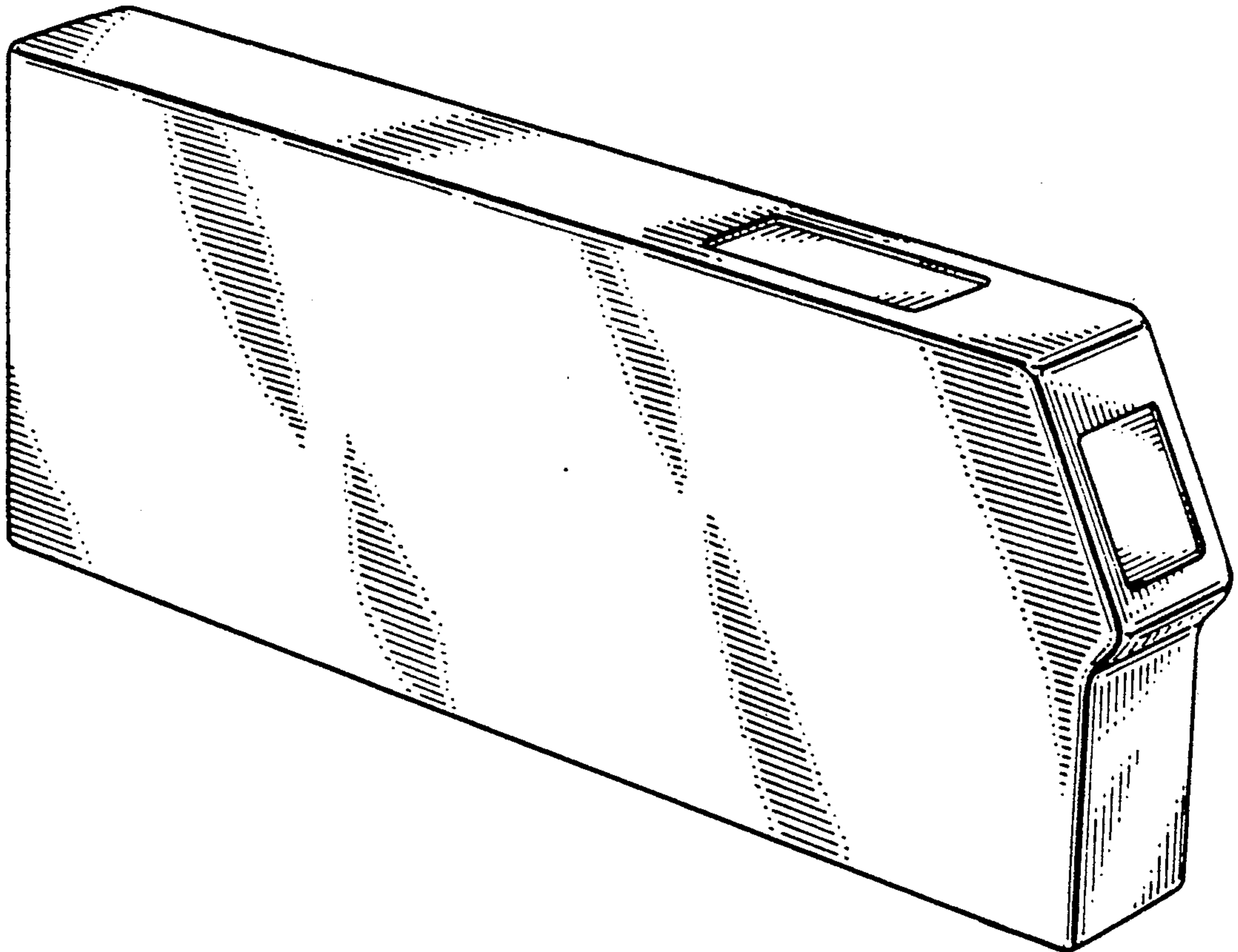
### [56] References Cited

FIG. 4 is a top plan view thereof; and,

#### U.S. PATENT DOCUMENTS

FIG. 5 is a left side elevational view thereof, the right side being a mirror image. The bottom being plane and unornamented.

D. 252,273 7/1979 Arjani et al. .... D14/109



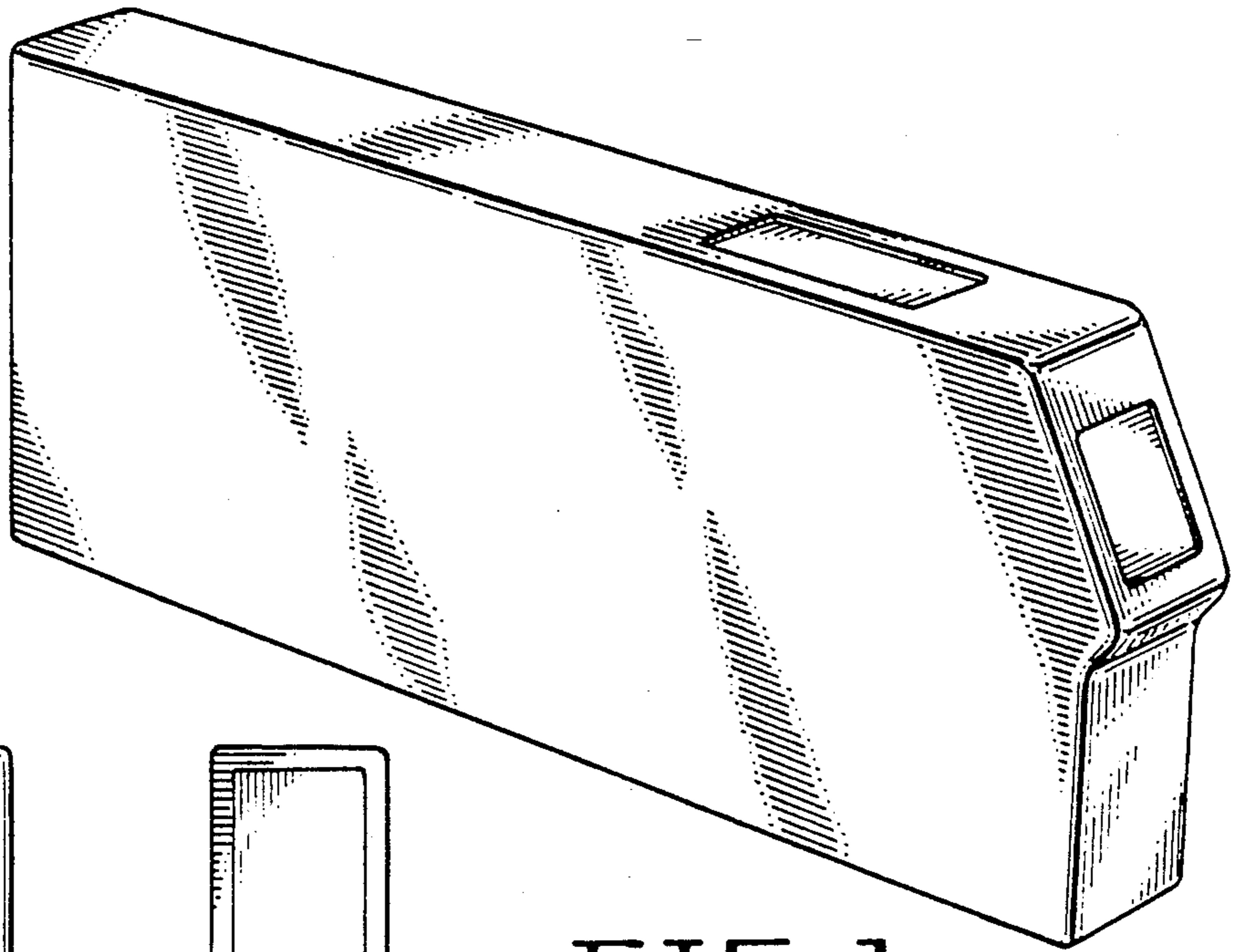


FIG. 1.



FIG. 2.

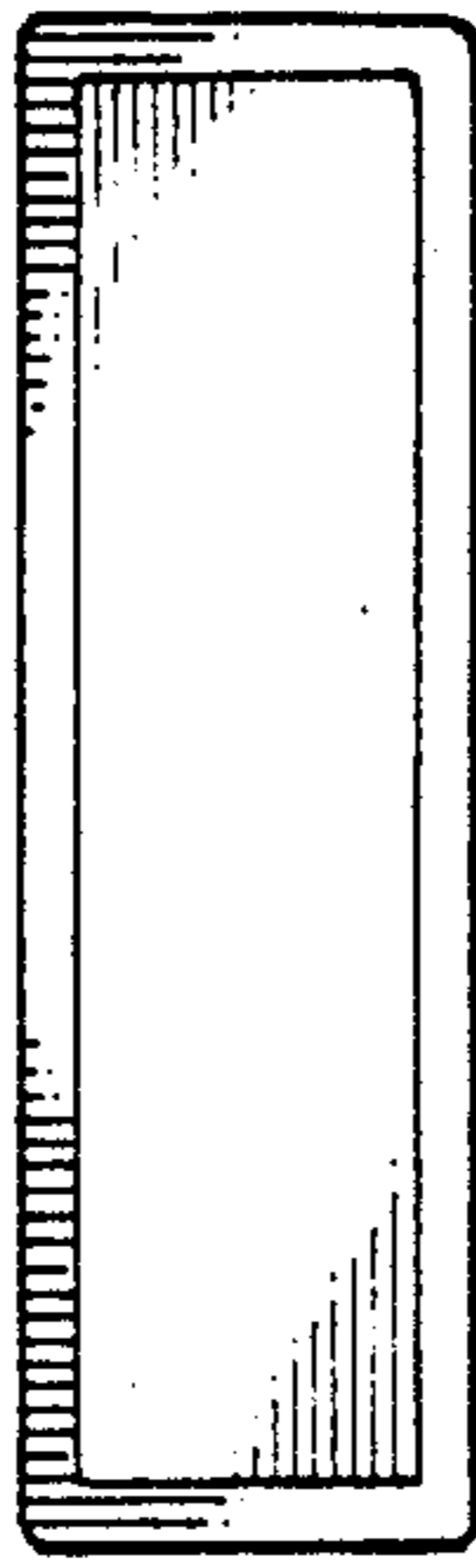


FIG. 3.

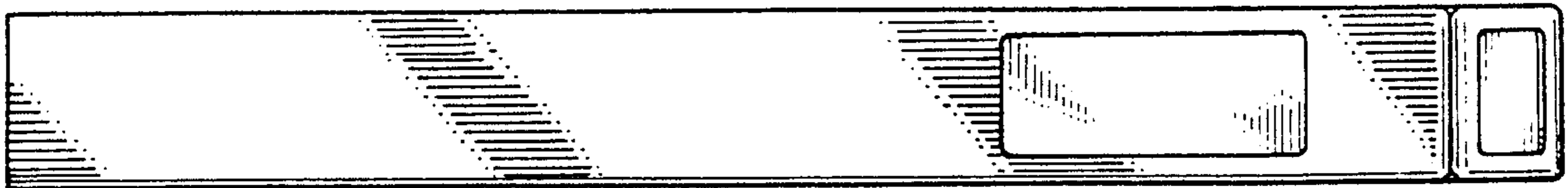


FIG. 4.

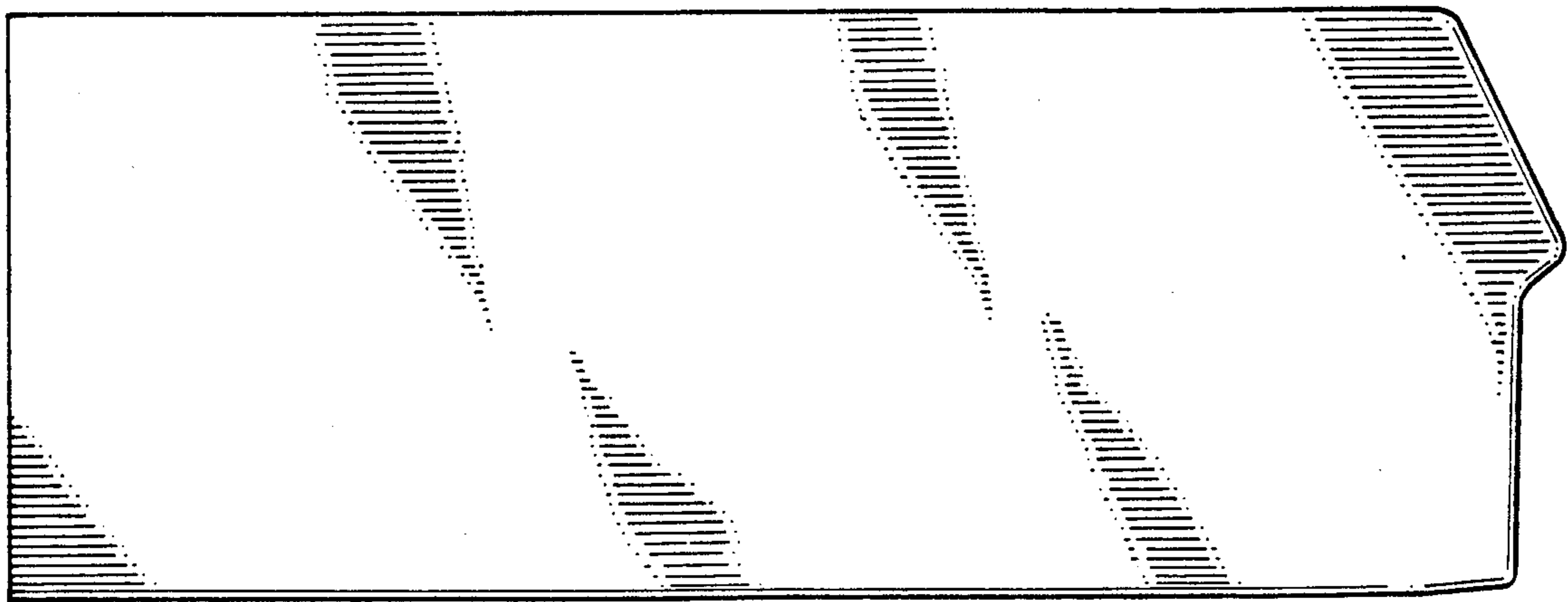


FIG. 5.